



US00D468180S

(12) **United States Design Patent**
Bruno et al.

(10) **Patent No.:** **US D468,180 S**
(45) **Date of Patent:** **** Jan. 7, 2003**

(54) **ELECTRIC POWERED ROTARY SAW TOOL**

D447,030 S * 8/2001 Chen D8/61

(75) Inventors: **Robert H. Bruno**, Avon, CT (US);
David C. Danielson, Litchfield, CT
(US); **Walter M. Bernardi**, Highland
Park, IL (US); **Michael E. Landt**,
Chicago, IL (US)

(73) Assignee: **S-B Power Tool Corporation**, Chicago,
IL (US)

(**) Term: **14 Years**

(21) Appl. No.: **29/151,162**

(22) Filed: **Nov. 15, 2001**

(51) **LOC (7) Cl.** **08-03**

(52) **U.S. Cl.** **D8/64**

(58) **Field of Search** D8/61, 62, 63,
D8/64, 66, 67, 68, 69, 70; 30/374, 375,
376, 377, 388, 389, 390, 391, 392, 393,
394; 173/15, 47, 48, 109, 169, 170, 216,
277; 310/50; 408/241 S

(56) **References Cited**

U.S. PATENT DOCUMENTS

D364,790 S * 12/1995 Duennes D8/61
5,829,931 A * 11/1998 Doumani 408/241 S
D437,757 S * 2/2001 Thomson et al. D8/61
D438,076 S * 2/2001 Wikle et al. D8/61

OTHER PUBLICATIONS

A catalog Dremel® Tools for the Imagination®, Rev. 4,
Dremel, Racine, Wisconsin, Nov. 1999.

* cited by examiner

Primary Examiner—Doris V. Coles

Assistant Examiner—Elizabeth A. Albert

(74) *Attorney, Agent, or Firm*—Greer, Burns & Crain, Ltd.;
Victor A. Henzi

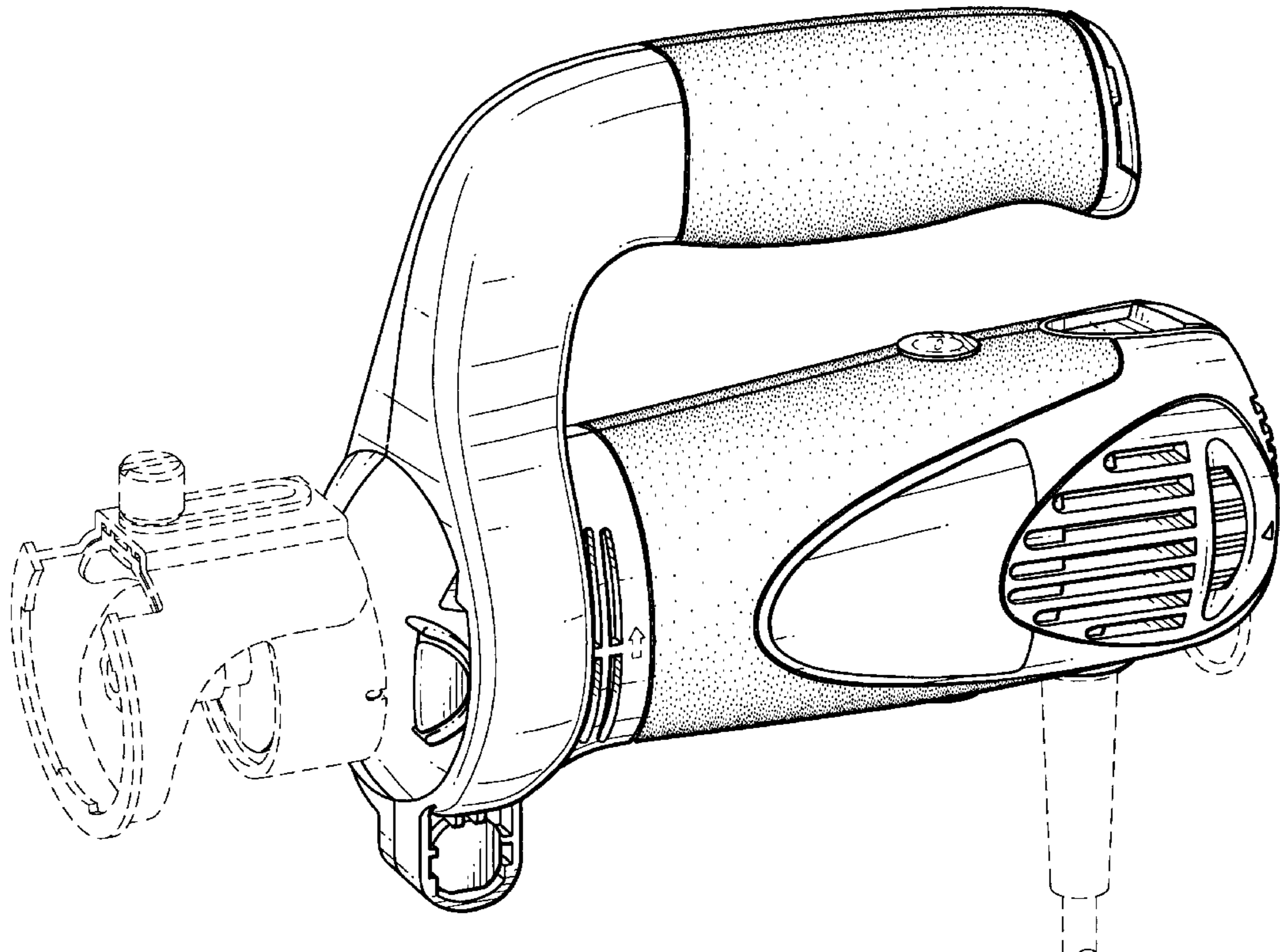
(57) **CLAIM**

The ornamental design for a electric powered rotary saw
tool, as shown and described.

DESCRIPTION

FIG. 1 is a right front perspective view of the present new
design for an electric powered rotary saw tool;
FIG. 2 is a right side view thereof;
FIG. 3 is a left side view thereof;
FIG. 4 is a top plan view thereof;
FIG. 5 is a bottom plan view thereof;
FIG. 6 is a front elevational view thereof; and,
FIG. 7 is a rear elevational view thereof.
The broken lines showing the cord and hanger and guard
structure and other shapes are for illustrative purposes only
and form no part of the claimed design.

1 Claim, 6 Drawing Sheets



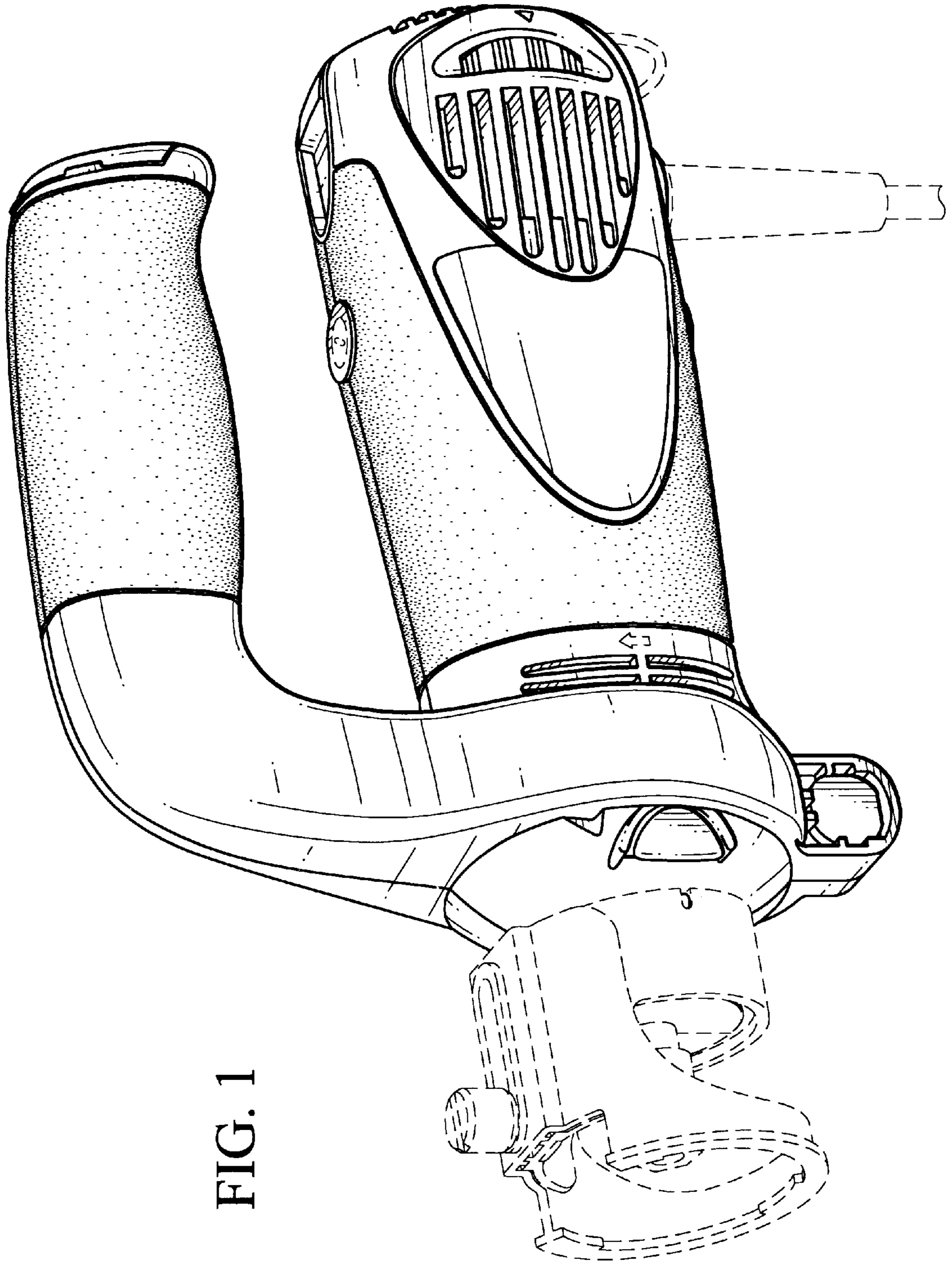


FIG. 1

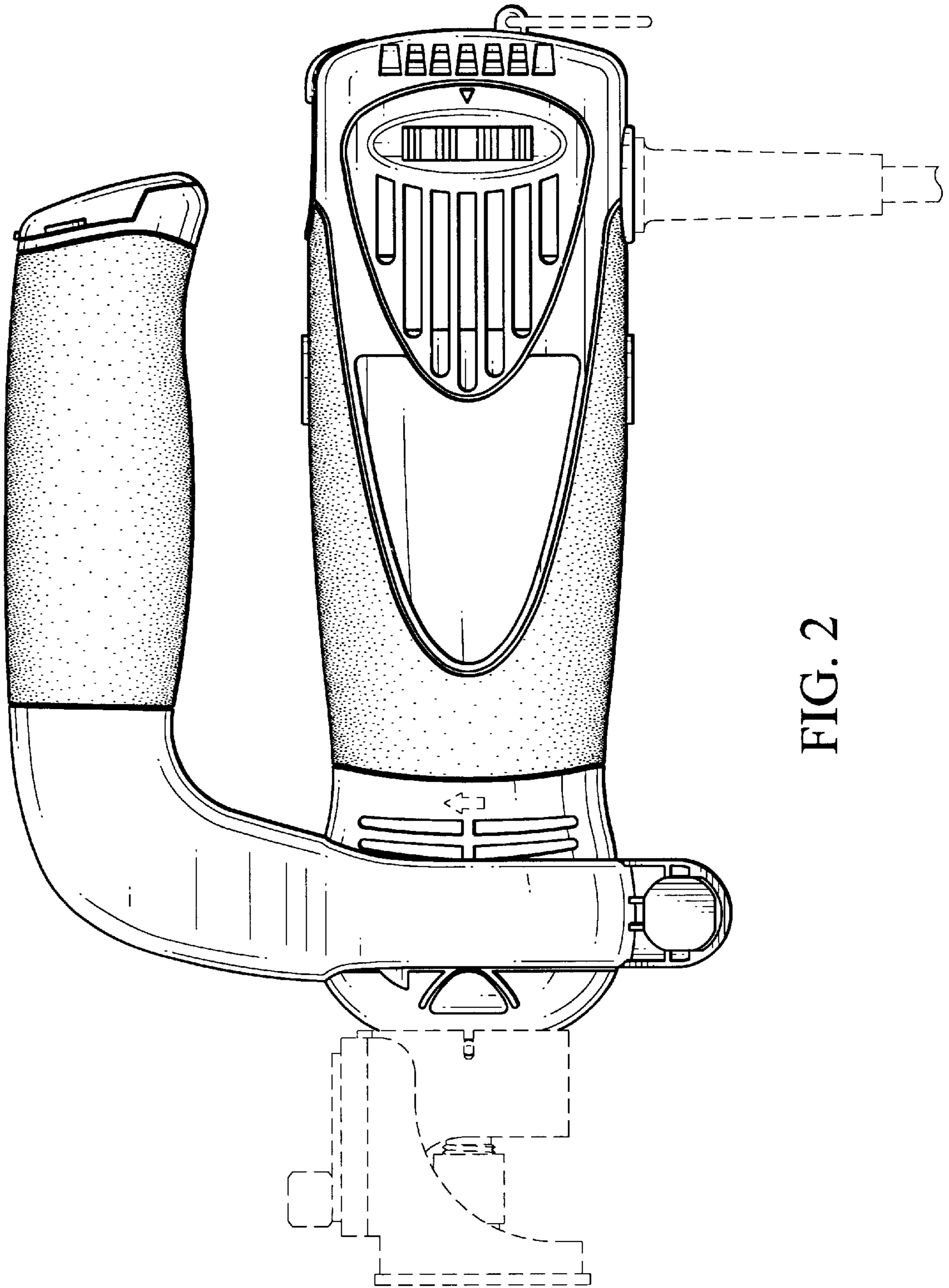


FIG. 2

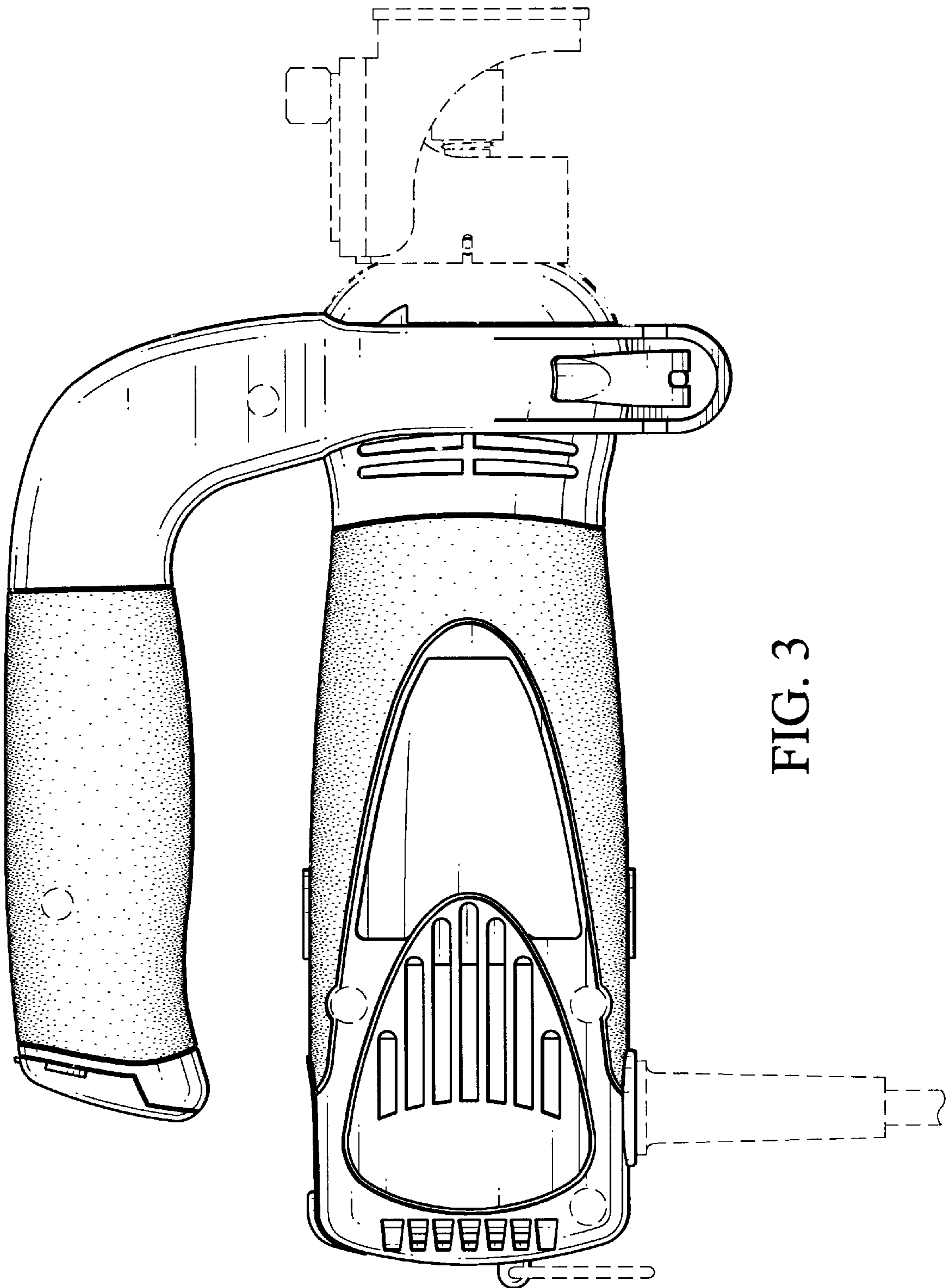


FIG. 3

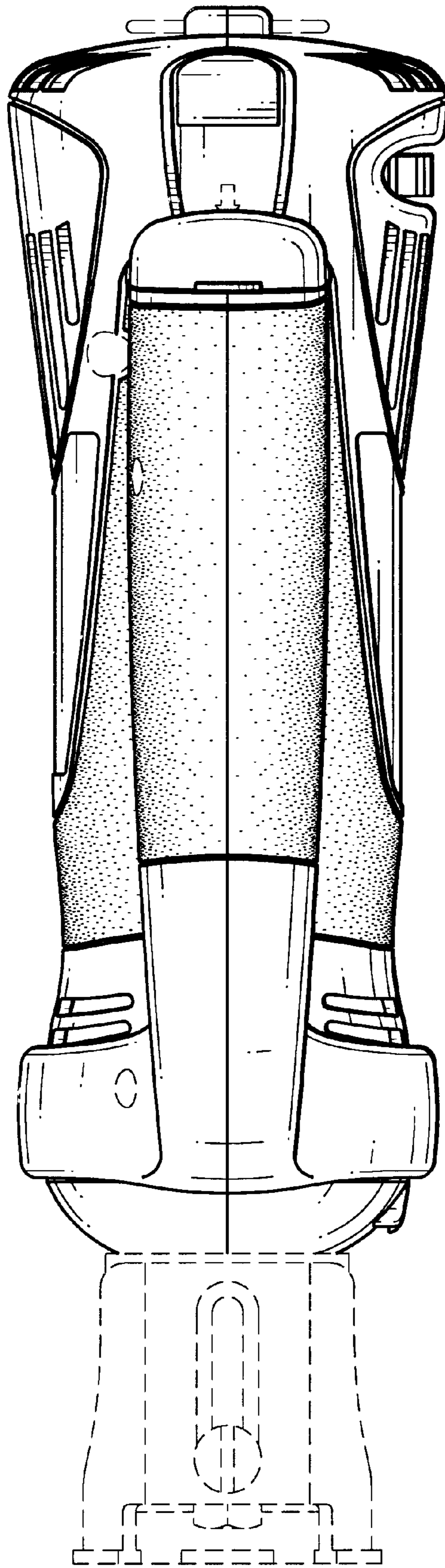


FIG. 4

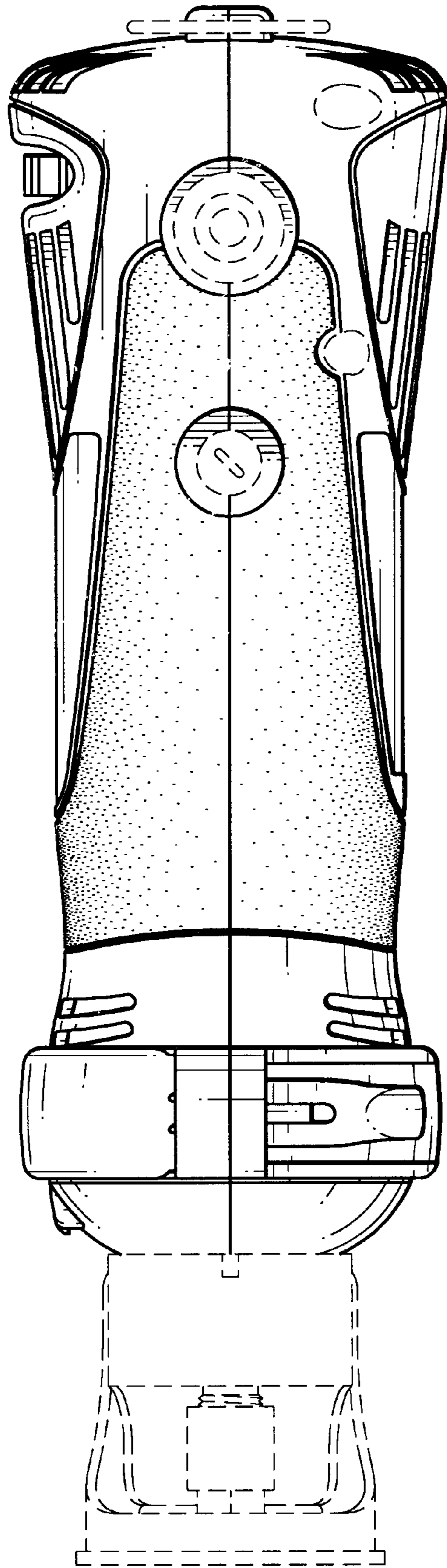


FIG. 5

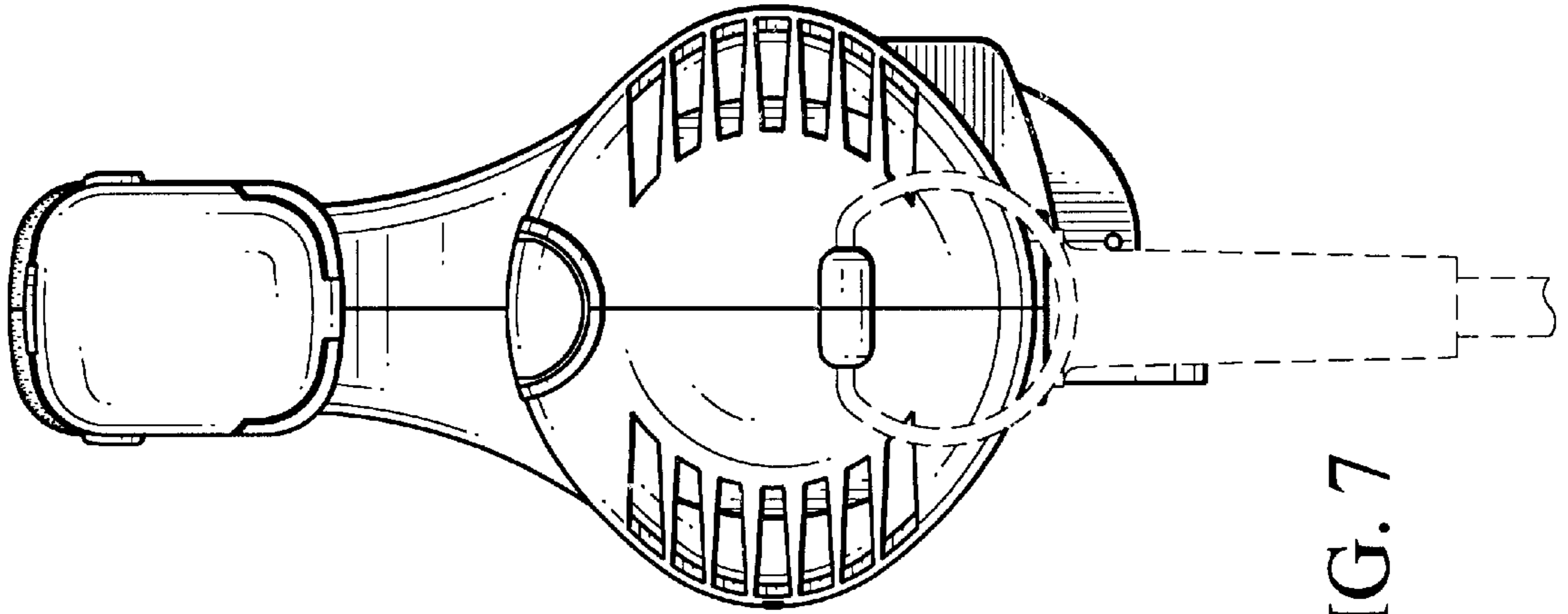


FIG. 7

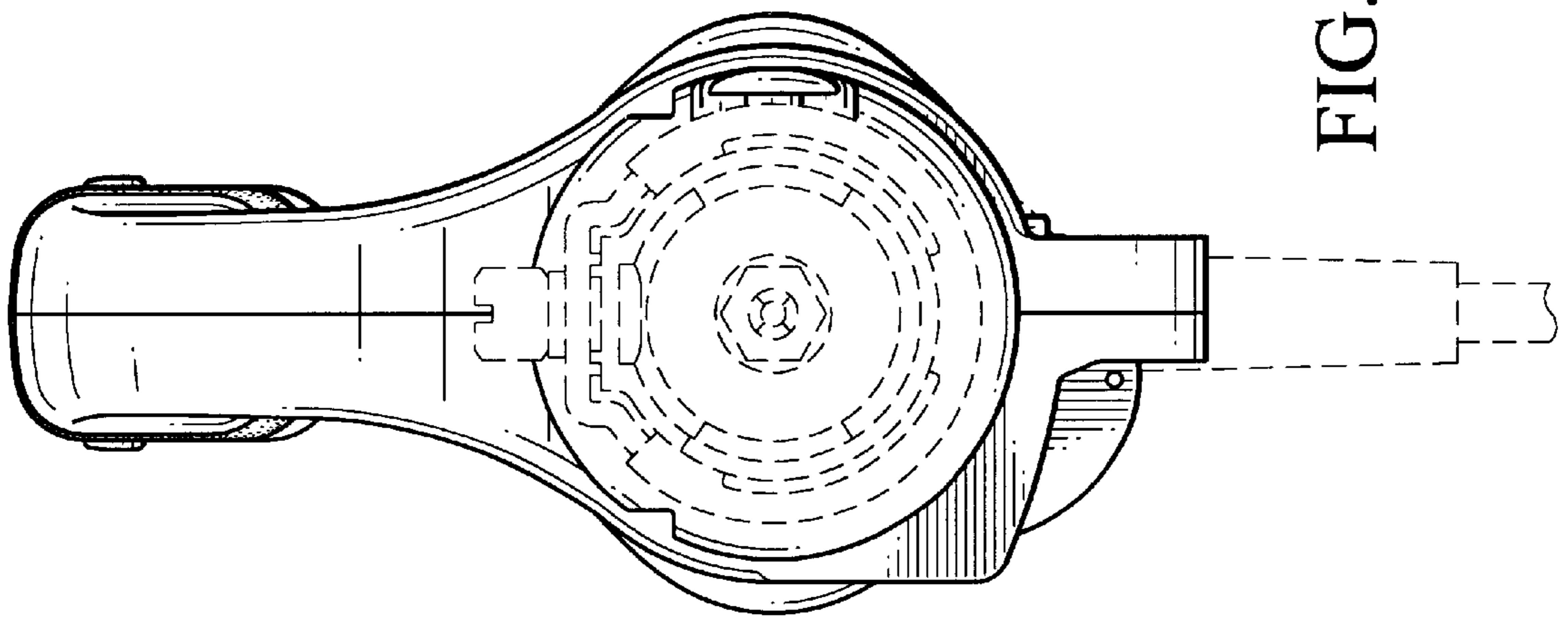


FIG. 6