



US00D468177S

(12) **United States Design Patent**
Goto

(10) **Patent No.:** **US D468,177 S**

(45) **Date of Patent:** **** Jan. 7, 2003**

(54) **PORTABLE ELECTRIC GRINDER**

(76) **Inventor:** **Tadao Goto**, 5340, Oaza-Inabe, Ina-shi,
Nagano-Ken (JP)

(**) **Term:** **14 Years**

(21) **Appl. No.:** **29/149,882**

(22) **Filed:** **Oct. 22, 2001**

(30) **Foreign Application Priority Data**

May 28, 2001 (JP) 2001-015264

(51) **LOC (7) Cl.** **08-01**

(52) **U.S. Cl.** **D8/62**

(58) **Field of Search** D8/61, 62, 67;
15/23; 173/170; 310/50; 451/344, 353,
356, 357, 358, 359, 451, 456, 490, 355

(56) **References Cited**

U.S. PATENT DOCUMENTS

1,374,772 A * 4/1921 Smith 451/344
3,251,085 A * 5/1966 Jacobs 15/23
3,390,412 A * 7/1968 Wolter et al. 451/358

D339,275 S * 9/1993 Fukuda et al. D8/62

D385,764 S * 11/1997 Goto D8/62

D392,529 S * 3/1998 Goto D8/62

D396,175 S * 7/1998 Chung D8/62

* cited by examiner

Primary Examiner—Stacia Cadmus

Assistant Examiner—Elizabeth A. Albert

(74) *Attorney, Agent, or Firm*—Israel Gopstein

(57) **CLAIM**

The ornamental design for a portable electric grinder, as shown and described.

DESCRIPTION

FIG. 1 is a perspective view of a portable electric grinder in accordance with the inventive design;
FIG. 2 is a front view thereof;
FIG. 3 is a rear view thereof;
FIG. 4 is a side view thereof;
FIG. 5 is another side view thereof;
FIG. 6 is top view thereof; and,
FIG. 7 is a bottom view thereof.

1 Claim, 4 Drawing Sheets

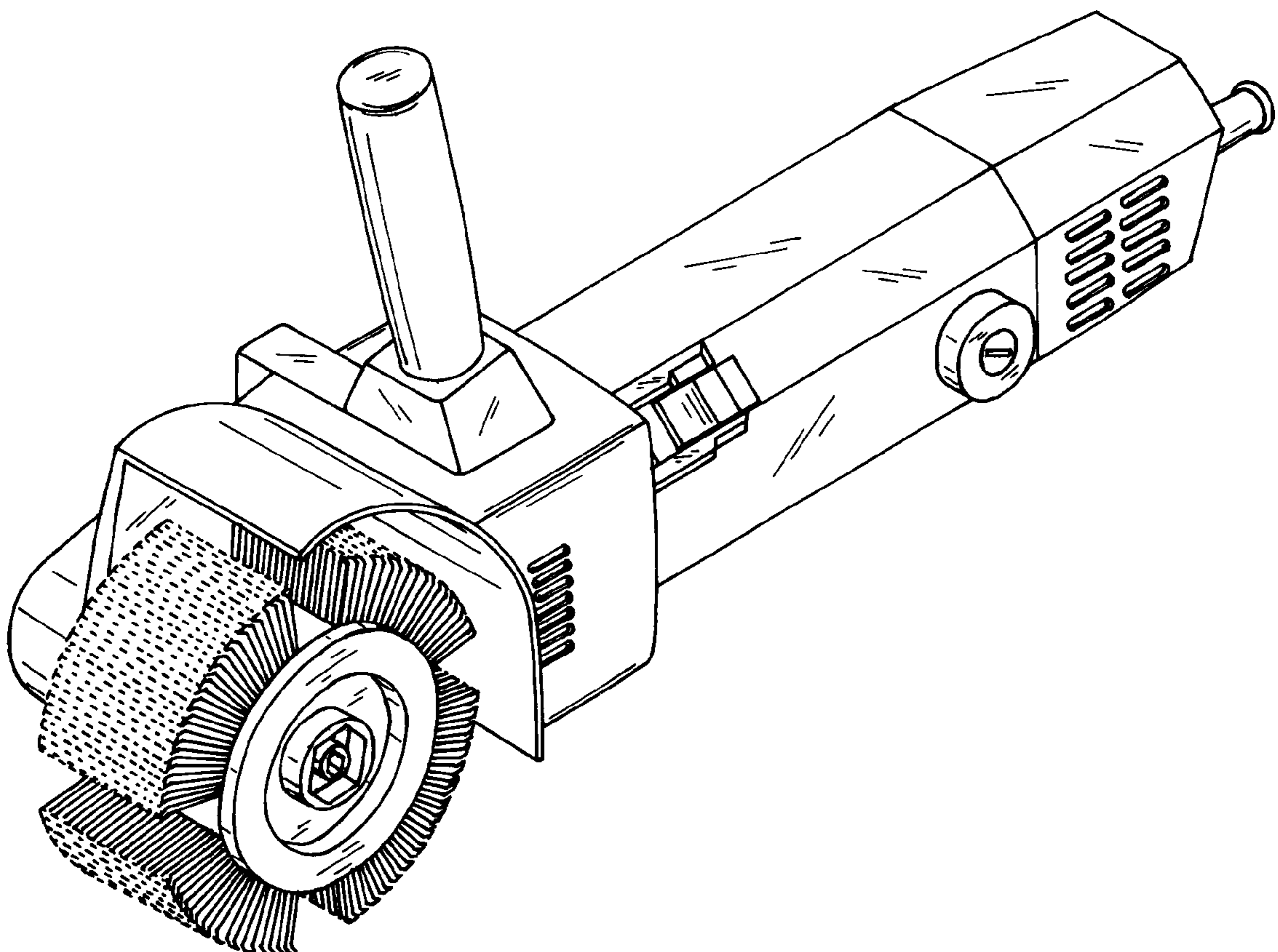


Fig. 1

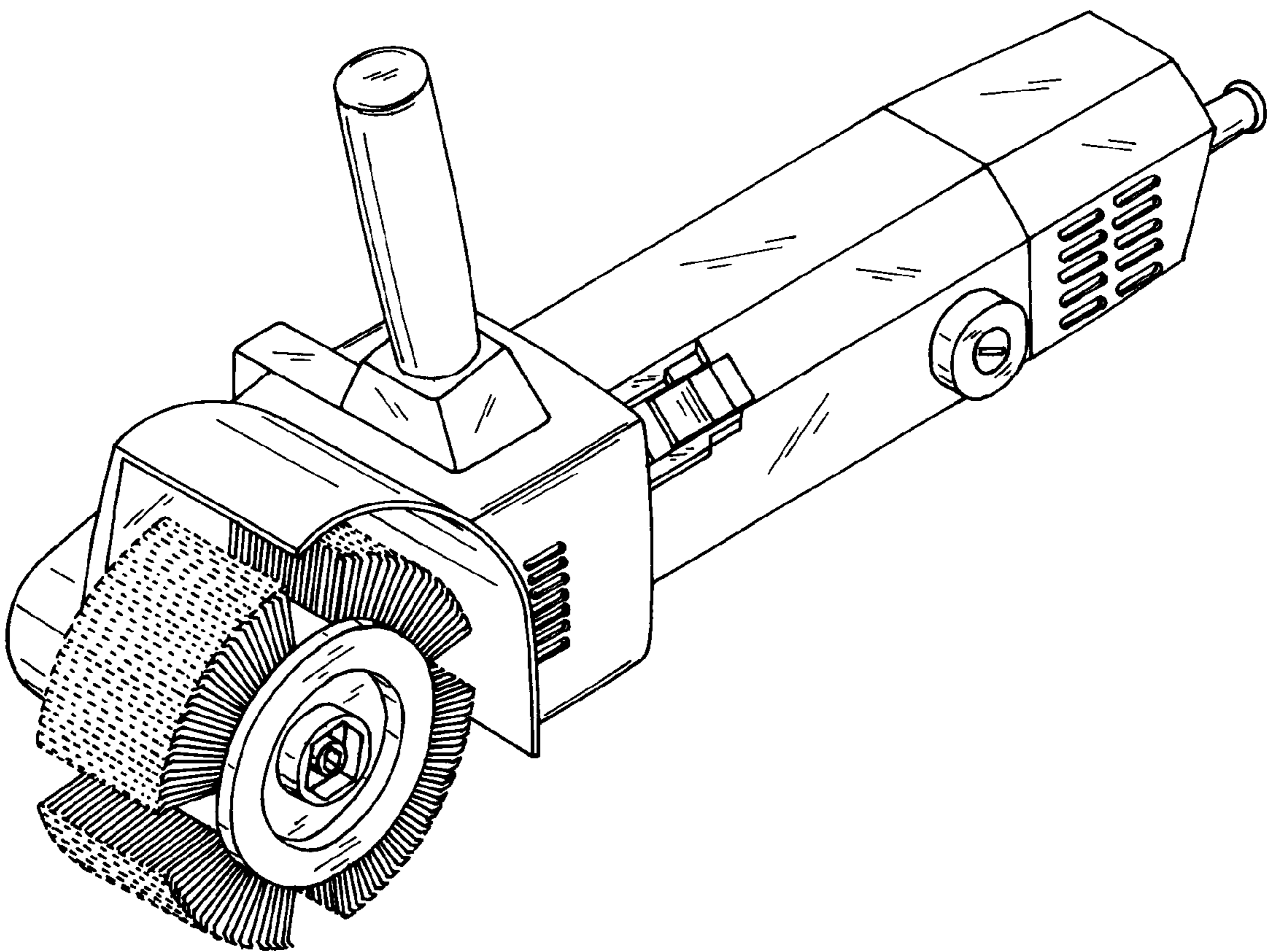


Fig. 2

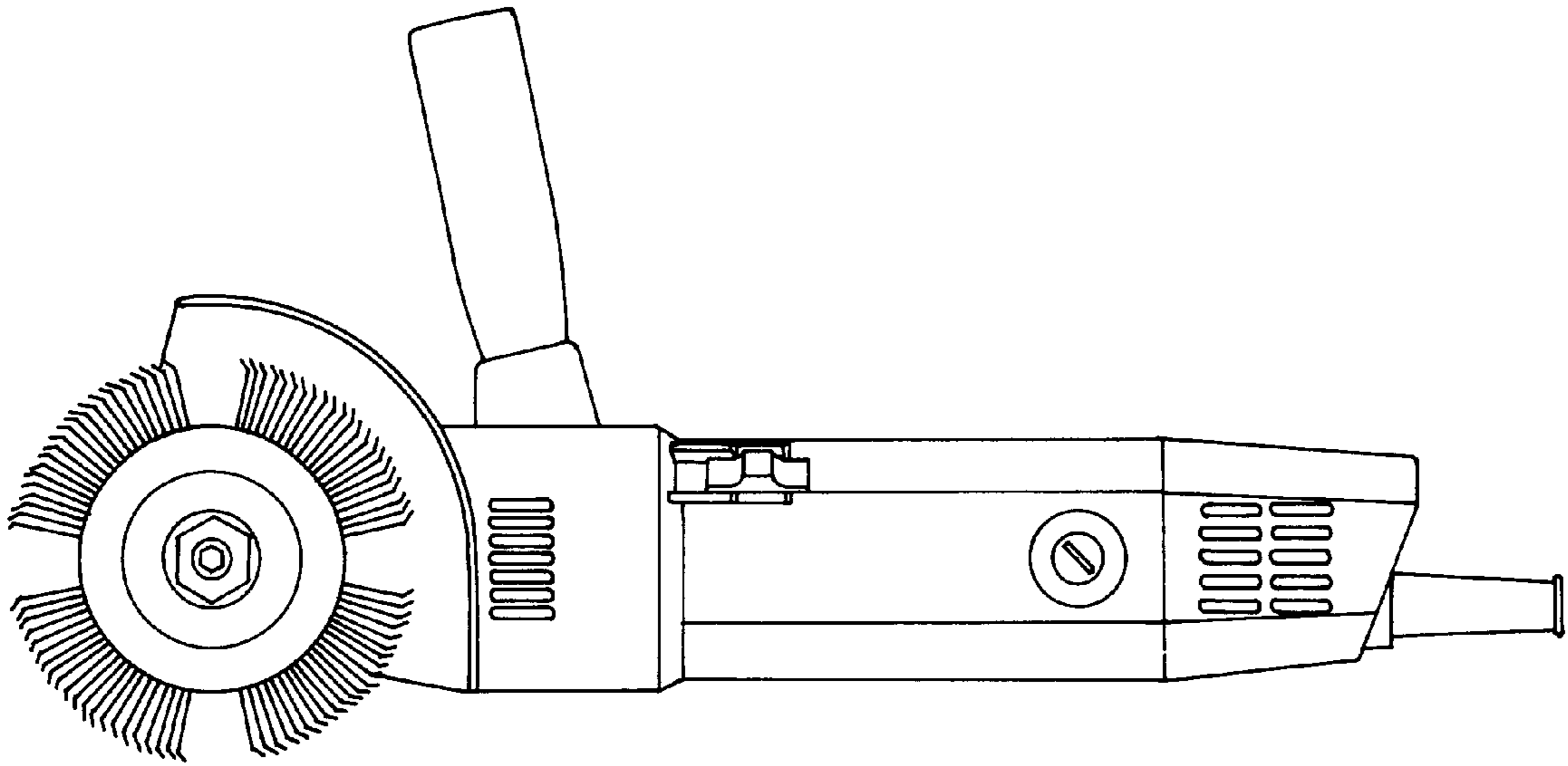


Fig. 3

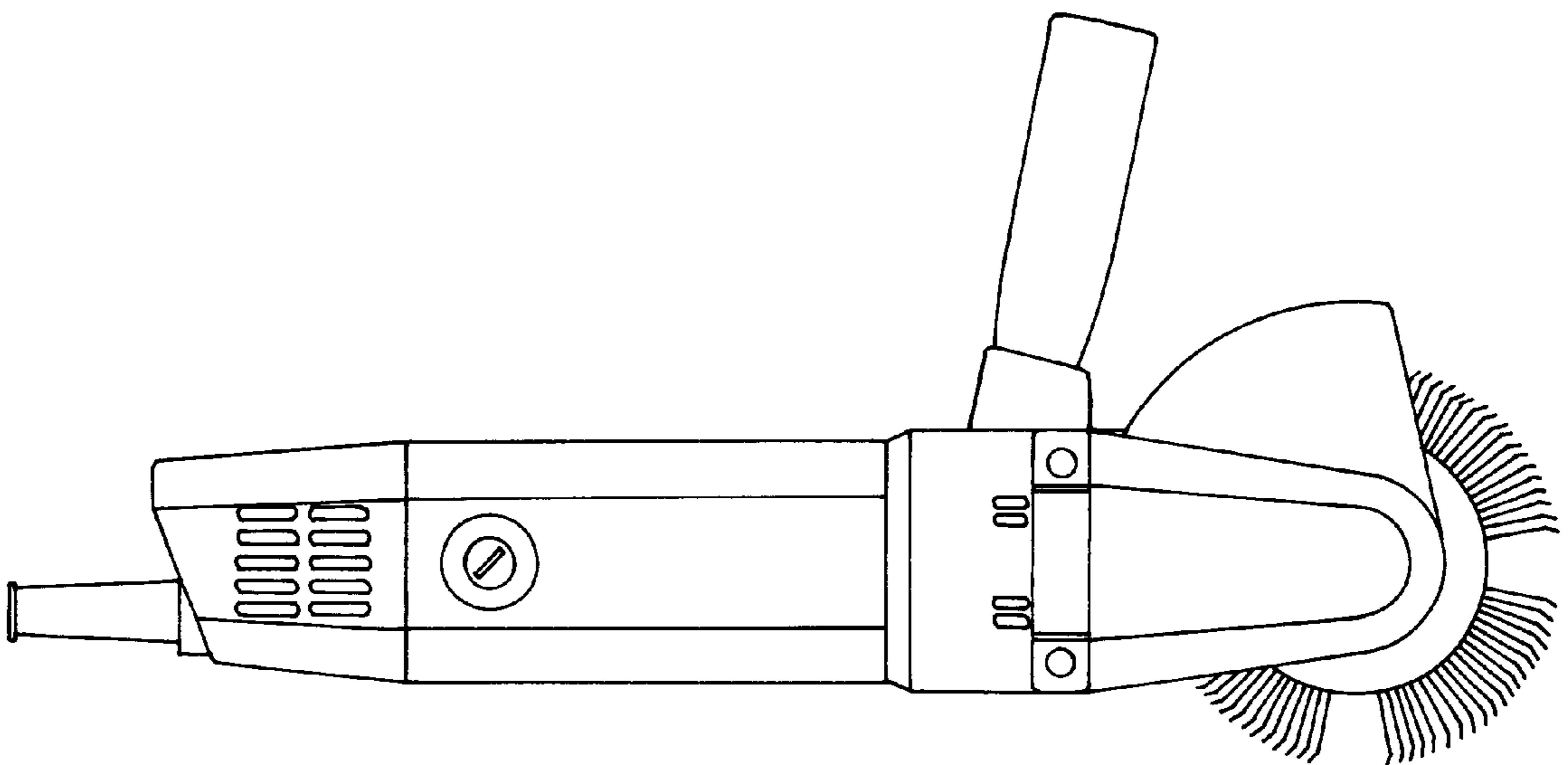


Fig. 4

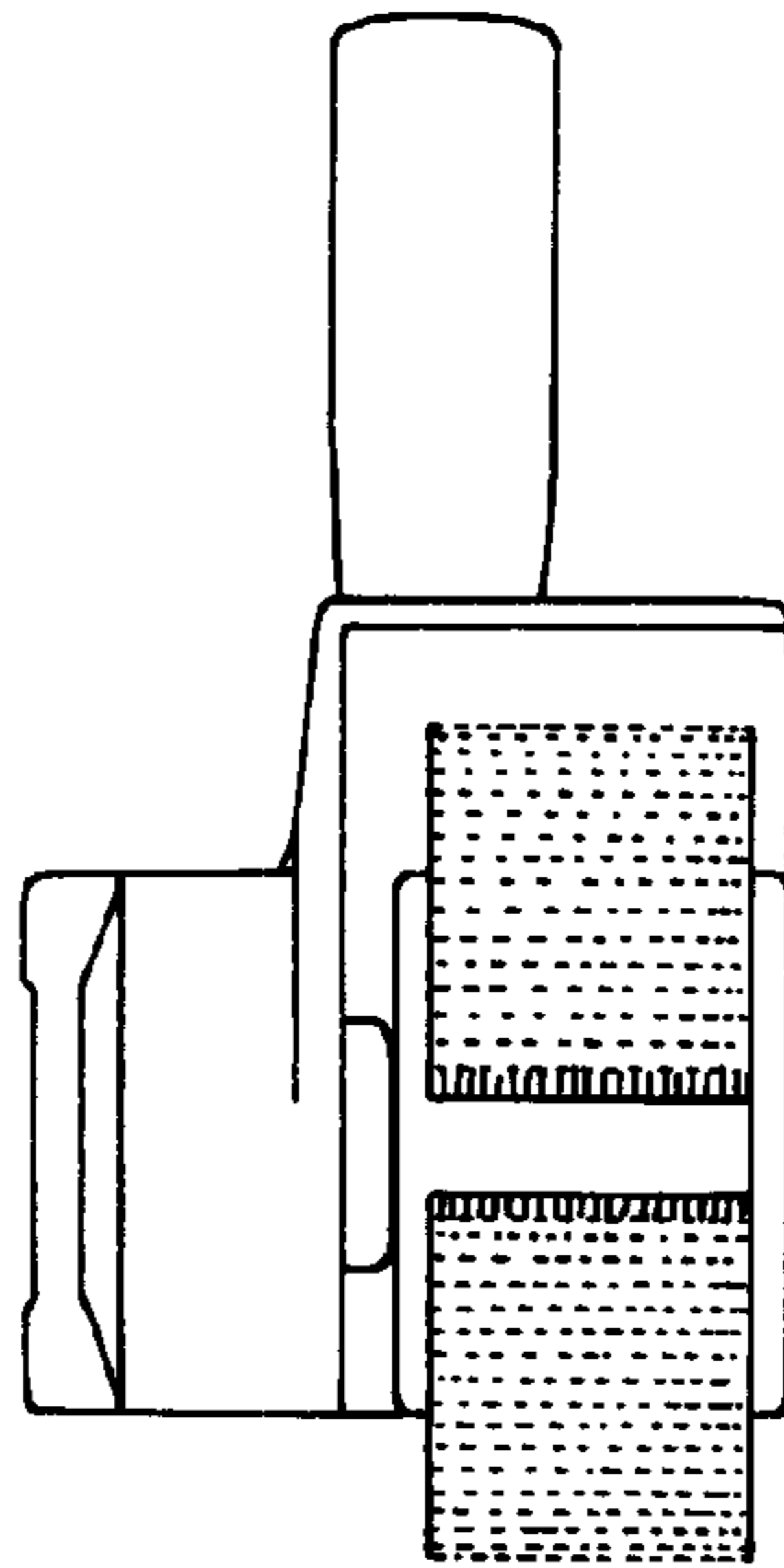


Fig. 5

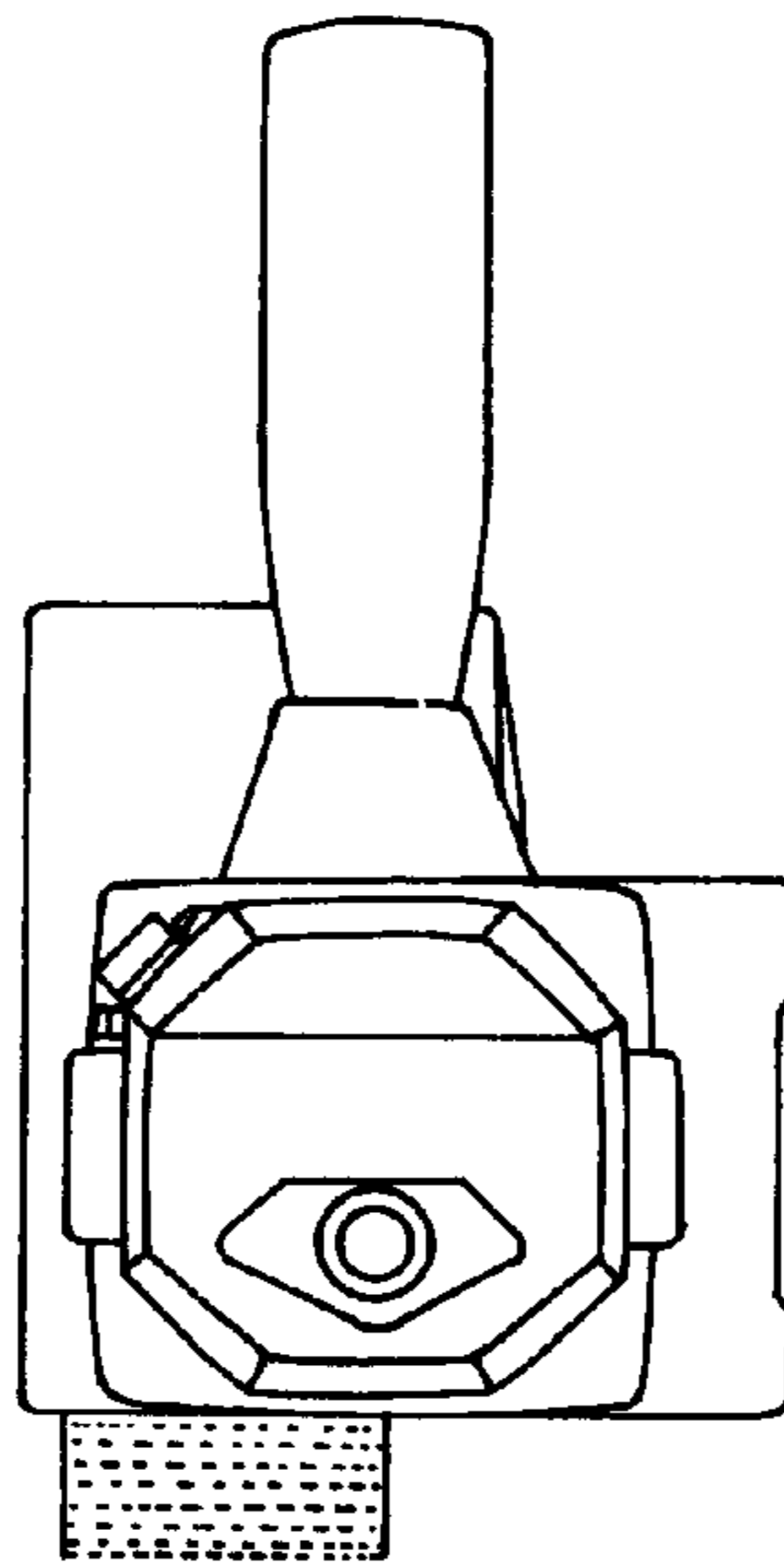


Fig. 6

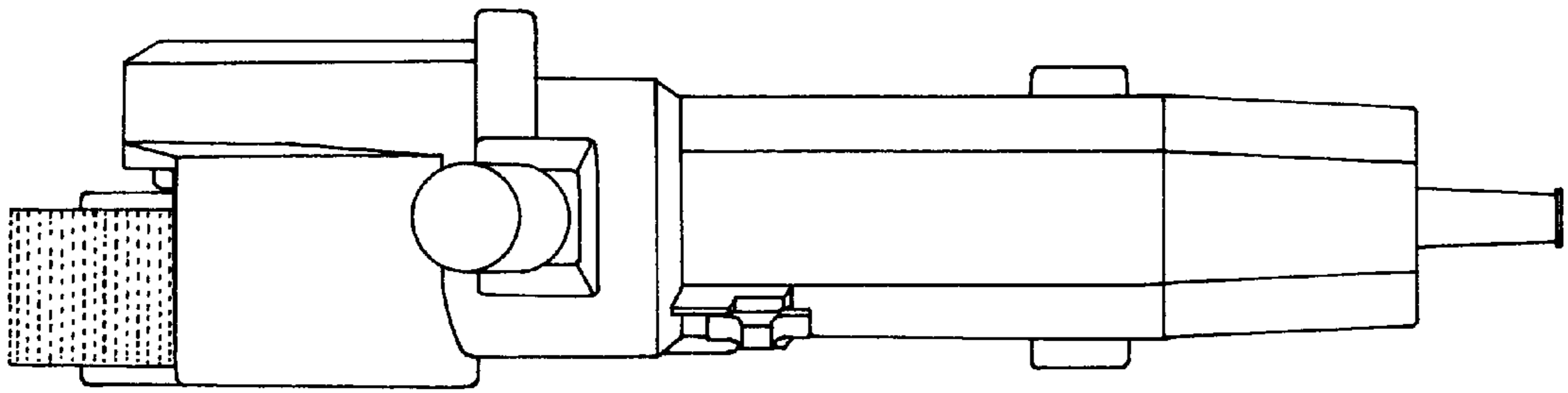


Fig. 7

