

US00D468174S

(12) **United States Design Patent**  
**Morgan**

(10) **Patent No.:** **US D468,174 S**

(45) **Date of Patent:** **\*\* Jan. 7, 2003**

(54) **PNEUMATIC TOOL**

(75) **Inventor:** **Fred M. Morgan**, Jackson, TN (US)

(73) **Assignee:** **DeVilbiss Air Power Company**,  
Jackson, TN (US)

(\*\*) **Term:** **14 Years**

(21) **Appl. No.:** **29/149,148**

(22) **Filed:** **Oct. 3, 2001**

(51) **LOC (7) Cl.** ..... **08-04**

(52) **U.S. Cl.** ..... **D8/61**

(58) **Field of Search** ..... D8/25, 61, 62,  
D8/83, DIG. 7; 60/695; 81/57.13, 57.26,  
57.29, 57.39, 57.42, 62, 63, 63.1, 63.2,  
429, 463, 464, 467, 469, 470; 173/29, 93,  
104, 167, 168, 169, 170, 178, 216, 217;  
310/50

(56) **References Cited**

**U.S. PATENT DOCUMENTS**

- D269,938 S \* 8/1983 Izumisawa ..... D8/61
- 4,411,173 A \* 10/1983 Mixer ..... 60/695
- D278,407 S \* 4/1985 Fleischer, Jr. .... D8/61

- D289,135 S \* 4/1987 Doman ..... D8/61
- 4,722,252 A \* 2/1988 Fulcher et al. .... 81/57.39
- 4,748,872 A \* 6/1988 Brown ..... 81/57.26
- 4,791,836 A \* 12/1988 D'Haem et al. .... 81/57.29
- 5,450,773 A \* 9/1995 Darrah et al. .... 81/57.39
- 6,298,753 B1 \* 10/2001 Izumisawa ..... 81/57.39
- D456,232 S \* 4/2002 Chen ..... D8/61

\* cited by examiner

*Primary Examiner*—Doris V. Coles  
*Assistant Examiner*—Elizabeth Albert  
(74) *Attorney, Agent, or Firm*—Suiter & Associates PC

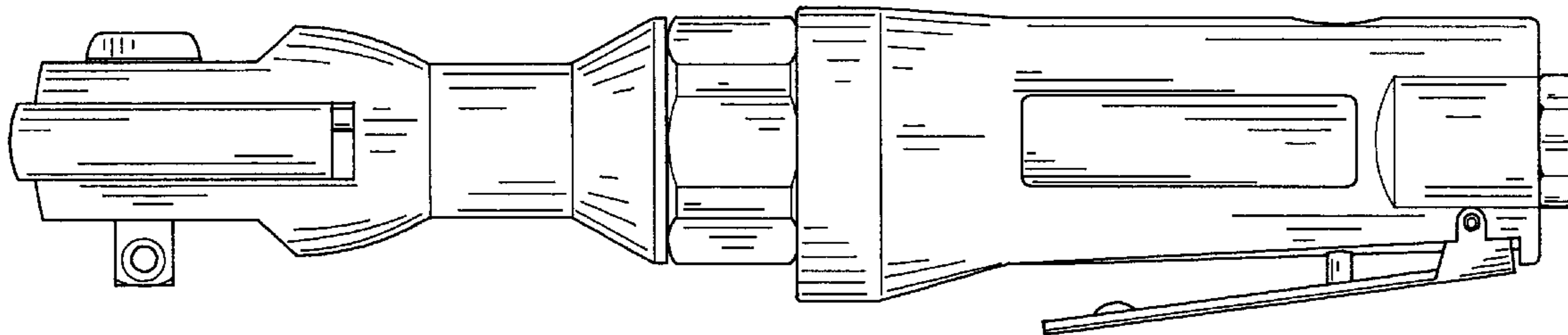
(57) **CLAIM**

We claim the ornamental design for a pneumatic tool, as shown.

**DESCRIPTION**

FIG. 1 is top plan view of a pneumatic tool showing my new design;  
FIG. 2 is a front elevation view thereof;  
FIG. 3 is a left side elevation view thereof;  
FIG. 4 is rear elevation view thereof;  
FIG. 5 is a right side elevation view thereof; and,  
FIG. 6 is a bottom plan view thereof.

**1 Claim, 2 Drawing Sheets**



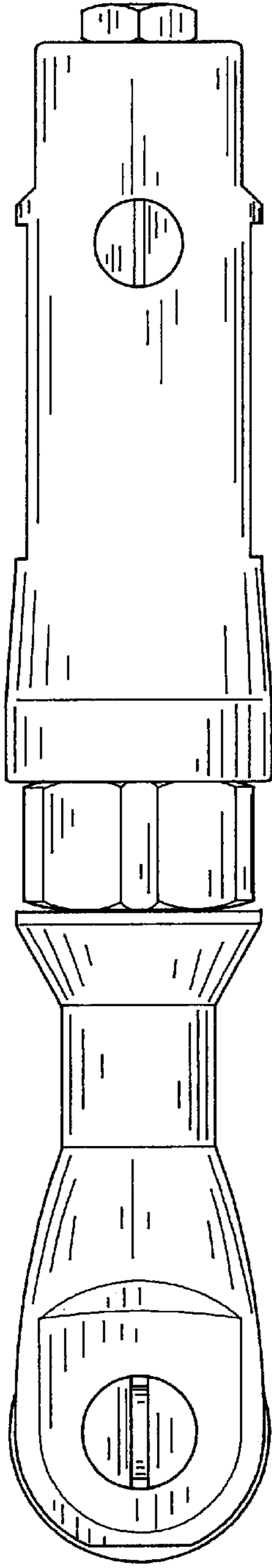


FIG. 1

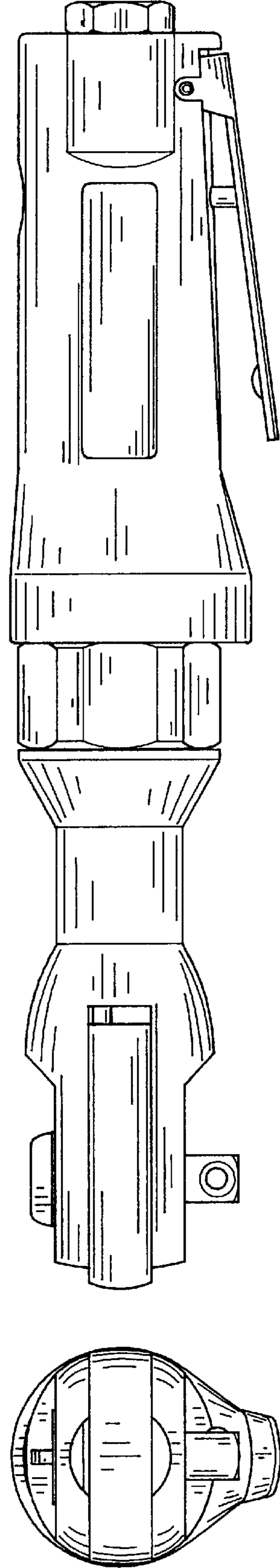


FIG. 3

FIG. 2

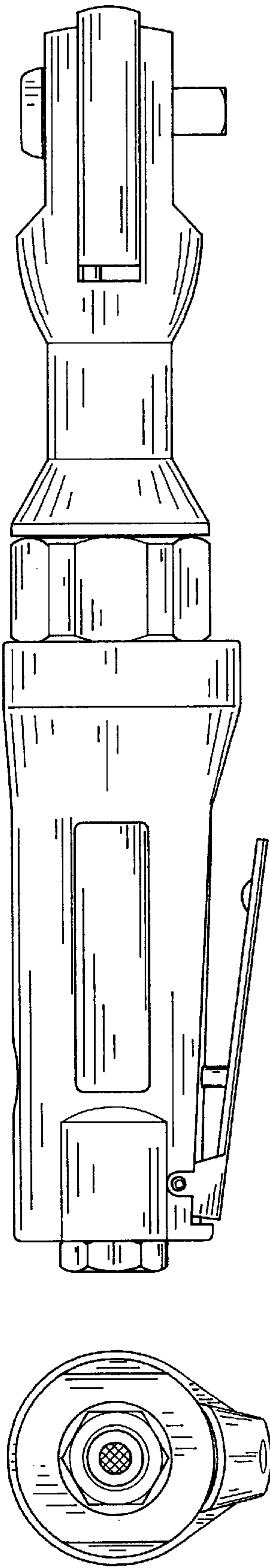


FIG. 5

FIG. 4

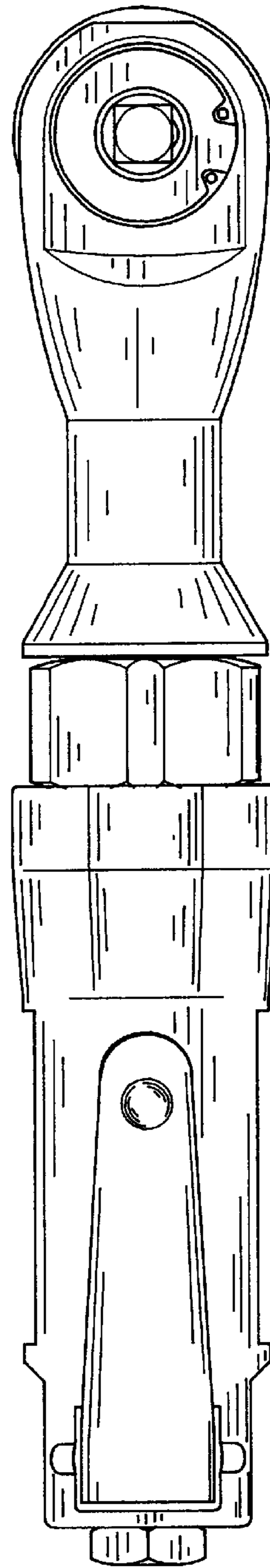


FIG. 6