



US00D468172S

(12) **United States Design Patent**
Dark

(10) **Patent No.:** **US D468,172 S**

(45) **Date of Patent:** **** Jan. 7, 2003**

(54) **ADHESIVE APPLICATION DEVICE**

D358,752 S * 5/1995 Duvall D8/98

(76) Inventor: **Richard C. G. Dark**, 2248 Gum Tree
La., Fallbrook, CA (US) 92028

(**) Term: **14 Years**

(21) Appl. No.: **29/152,012**

(22) Filed: **Dec. 13, 2001**

(51) **LOC (7) Cl.** **08-05**

(52) **U.S. Cl.** **D8/51**

(58) **Field of Search** D8/51, 14; 156/579;
492/13; 15/230.11

(56) **References Cited**

U.S. PATENT DOCUMENTS

1,461,815	A	*	7/1923	Bird	
1,637,450	A	*	8/1929	Martin	
3,115,659	A	*	12/1963	Church	
3,641,643	A	*	2/1972	Niemi	156/579
3,825,970	A	*	7/1974	Hanssen	15/230.11
4,254,529	A	*	3/1981	Cooke	15/230.11
4,313,395	A	*	2/1982	Duvall	
4,571,769	A	*	2/1986	Ford	15/230

OTHER PUBLICATIONS

<http://www.romanadhesives.com> Border Ease product.

* cited by examiner

Primary Examiner—Alan P. Douglas

Assistant Examiner—Clare E. Heflin

(74) *Attorney, Agent, or Firm*—Eric Karich

(57) **CLAIM**

The ornamental design for an “adhesive application device”, as shown and described.

DESCRIPTION

FIG. 1 is a perspective view of an adhesive application device, showing my new design; FIG. 2 is a right side elevational view thereof, the left side elevation view being a mirror image thereof; FIG. 3 is a front elevational view thereof; FIG. 4 is a rear elevational view thereof; FIG. 5 is a top plan view thereof; and, FIG. 6 is a bottom plan view thereof.

1 Claim, 3 Drawing Sheets

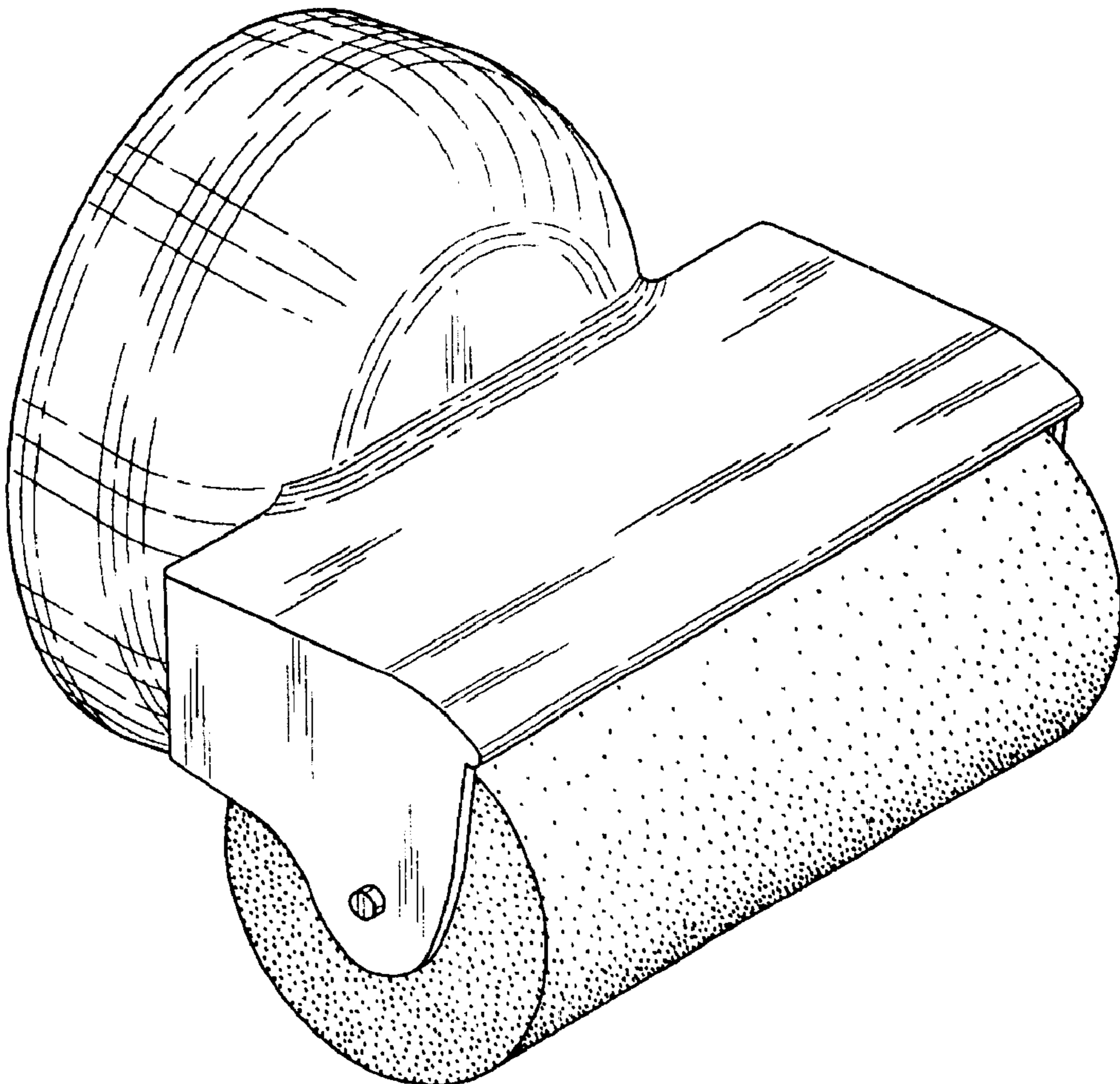


Fig. 1

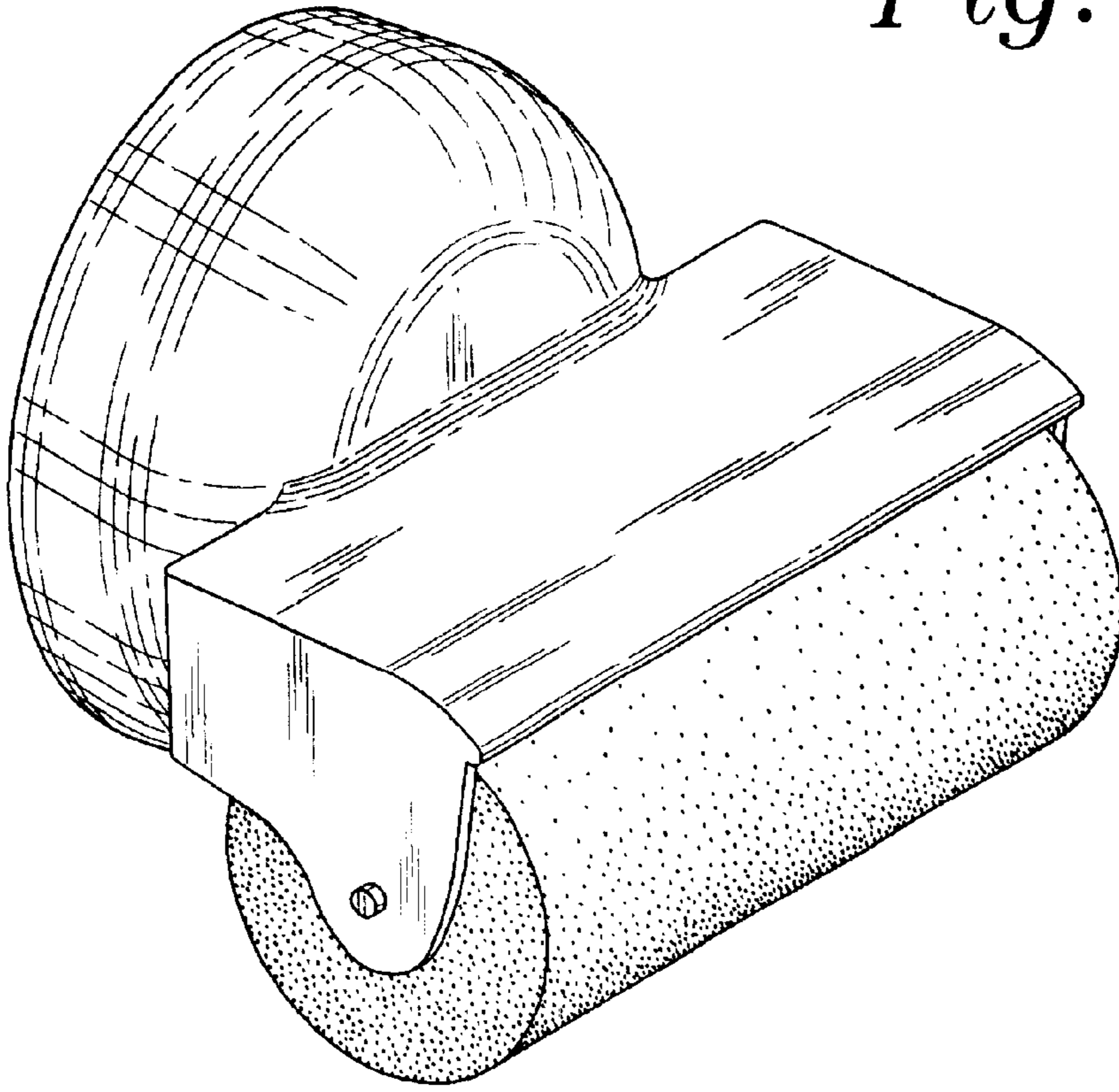


Fig. 2

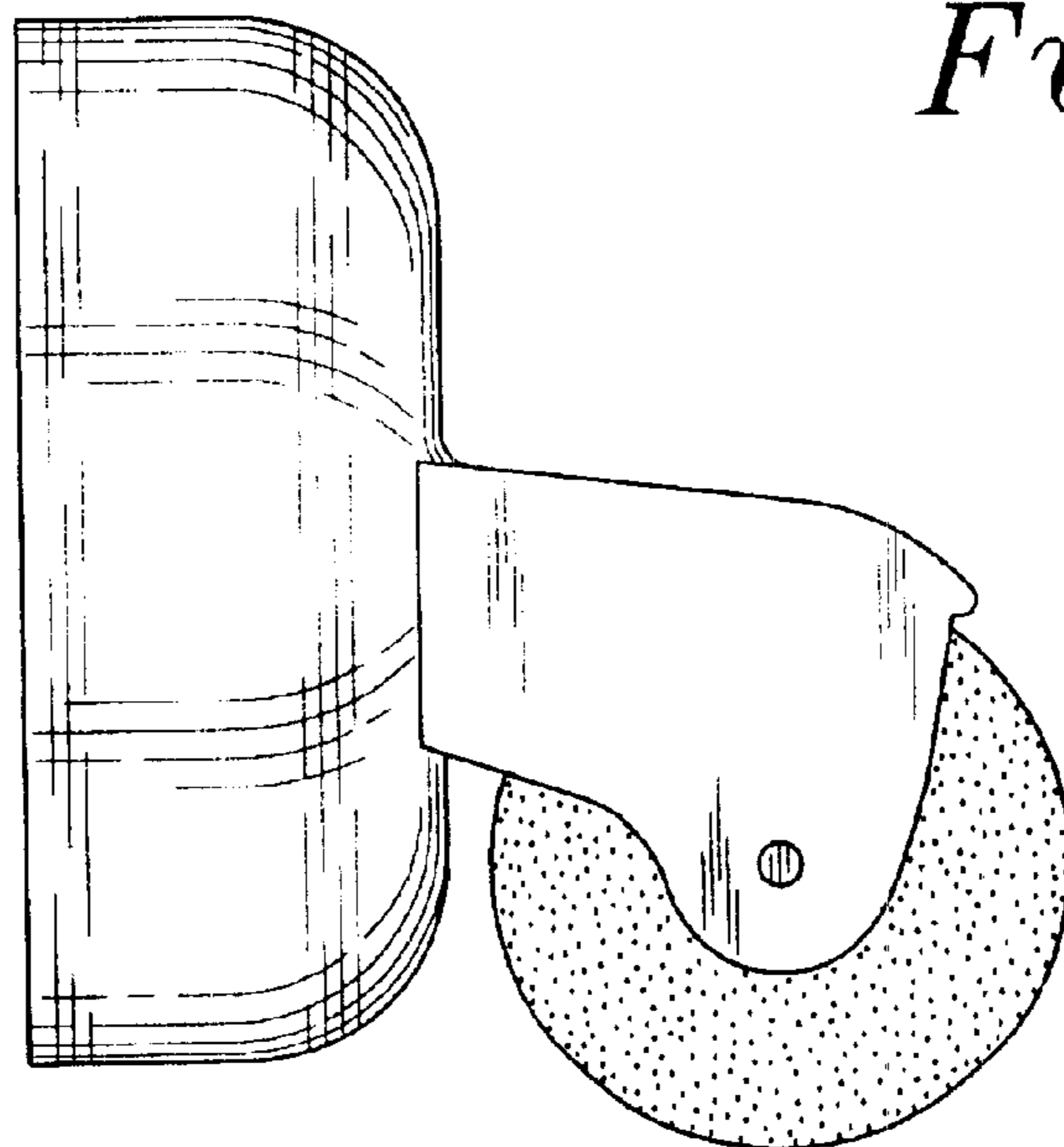


Fig. 3

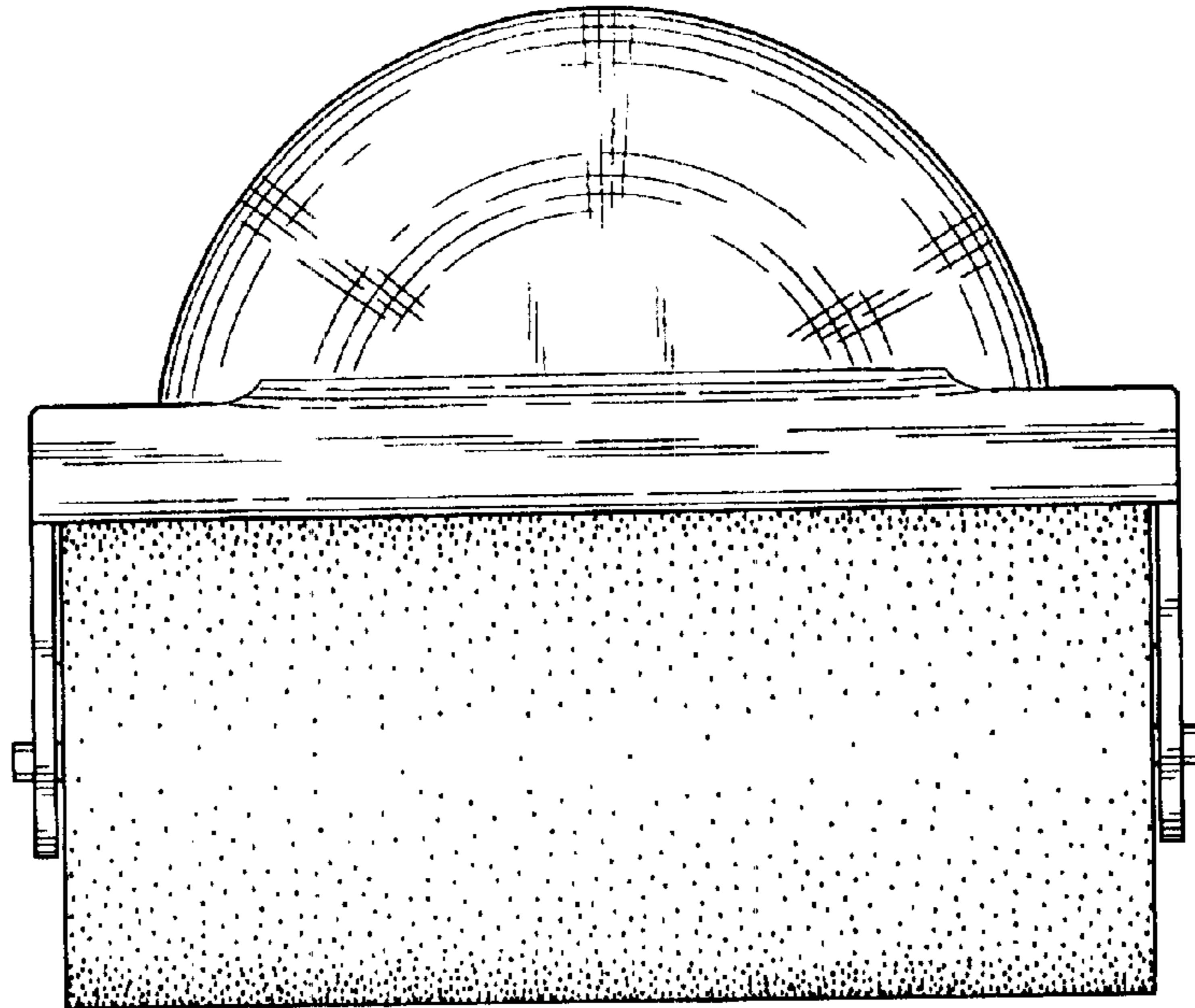


Fig. 4

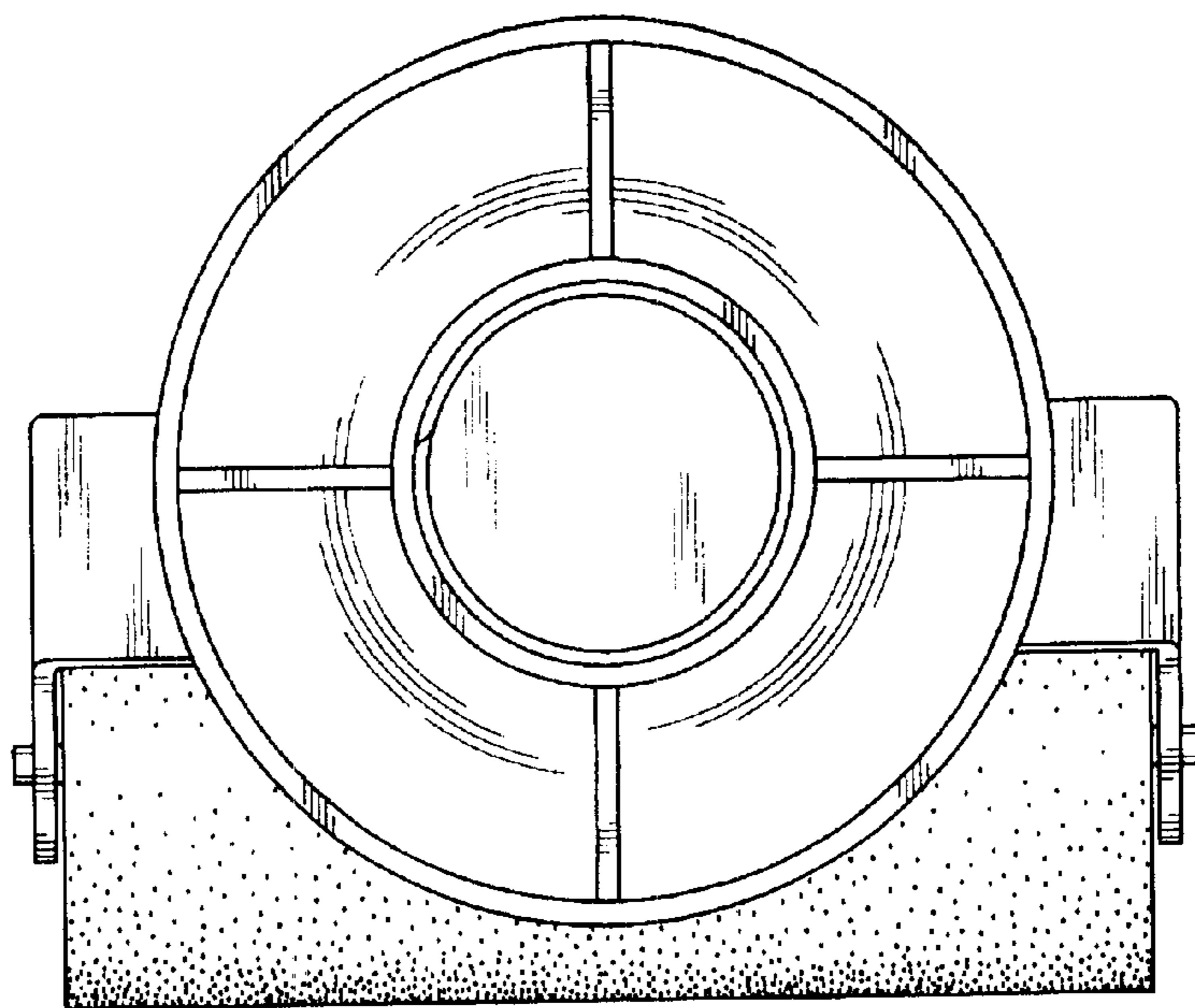


Fig. 5

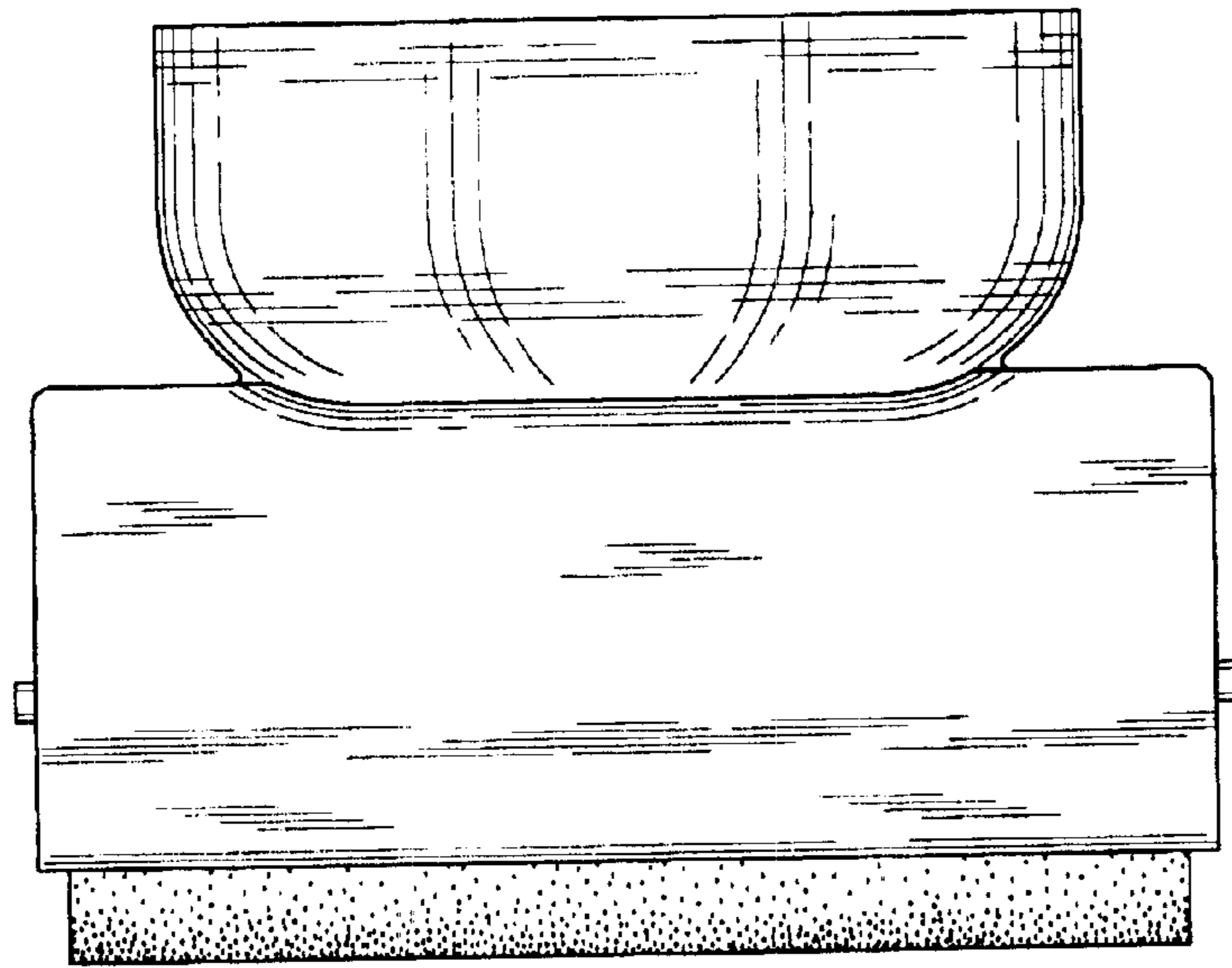


Fig. 6

