



US00D468171S

(12) **United States Design Patent**
Neff

(10) **Patent No.:** **US D468,171 S**

(45) **Date of Patent:** **** Jan. 7, 2003**

(54) **TOOL FOR INSERTING RING TRAVELERS**

5,752,314 A * 5/1998 Poquette et al. 29/765
D430,470 S * 9/2000 Neff D8/51

(75) Inventor: **Andreas Neff**, Pfäffikon-Zürich (CH)

* cited by examiner

(73) Assignee: **Braecker AG**, Pfaffikon-Zuerich (CH)

Primary Examiner—Philip S. Hyder

(**) Term: **14 Years**

(74) *Attorney, Agent, or Firm*—Oblon, Spivak, McClelland,
Maier & Neustadt, P.C.

(21) Appl. No.: **29/134,124**

(57) **CLAIM**

(22) Filed: **Dec. 15, 2000**

The ornamental design for a tool for inserting ring travelers,
as shown and described.

(30) **Foreign Application Priority Data**

DESCRIPTION

Jun. 15, 2000 (XH) DM/052 264

(51) **LOC (7) Cl.** **08-05**

(52) **U.S. Cl.** **D8/51**

(58) **Field of Search** D8/14, 51; 29/426.6,
29/765, 811.2

FIG. 1 is a right side elevational view of a tool for inserting
ring travelers showing my design;

FIG. 2 is a right side elevational view thereof showing the
tool in an open position;

FIG. 3 is a bottom plan view thereof;

FIG. 4 is a top plan view thereof;

FIG. 5 is a rear elevational view thereof;

FIG. 6 is a top and right front perspective view thereof; and,

FIG. 7 is a front elevational view thereof.

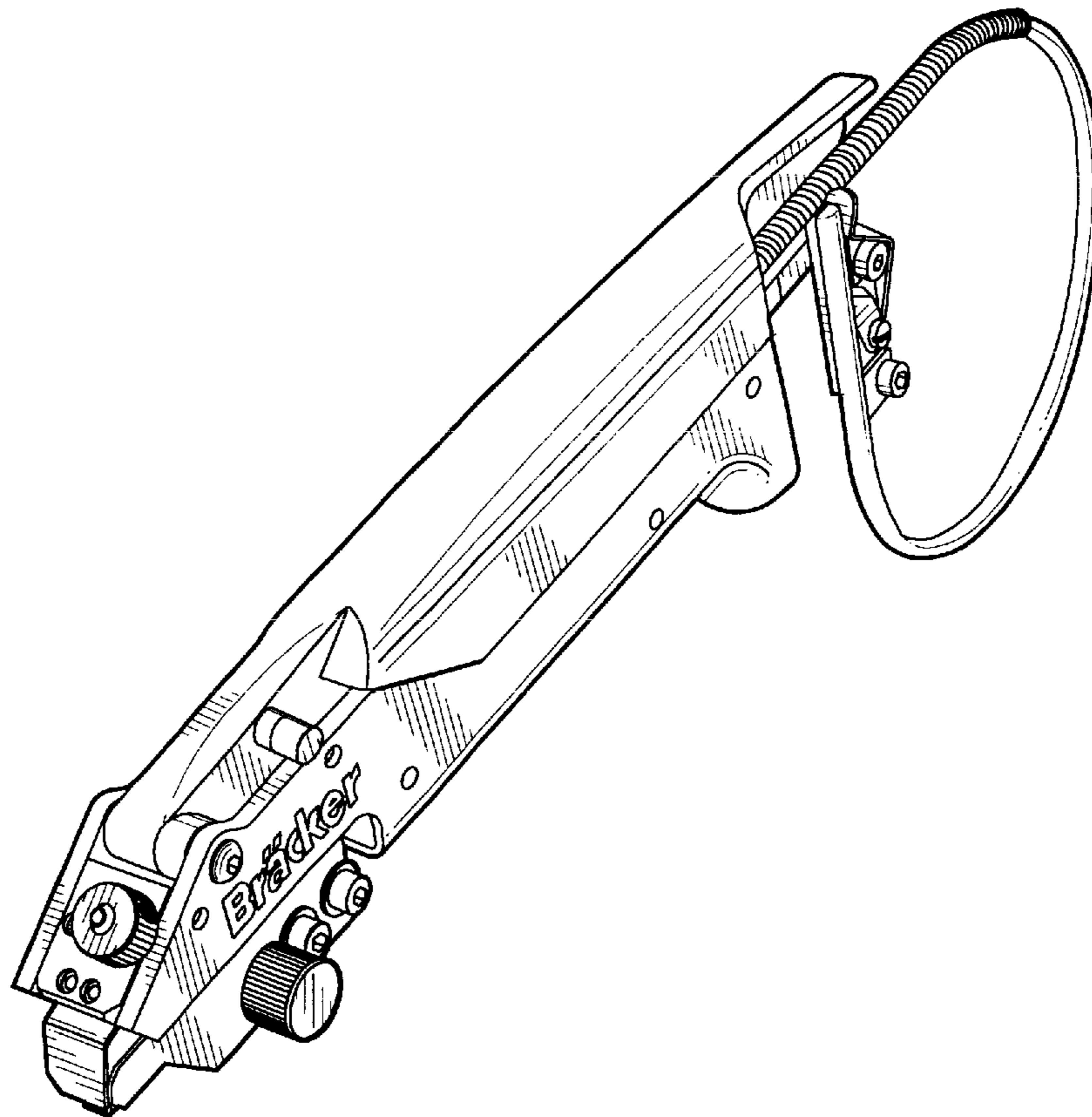
The phantom line showing in the Figures is for illustrative
purposes only and forms no part of the claimed design.

(56) **References Cited**

U.S. PATENT DOCUMENTS

3,098,344 A * 7/1963 Ramseier et al. 29/765
3,490,127 A * 1/1970 Anderson 29/765
4,575,933 A * 3/1986 Neff 29/229
4,864,720 A * 9/1989 Uyemura 29/765

1 Claim, 5 Drawing Sheets



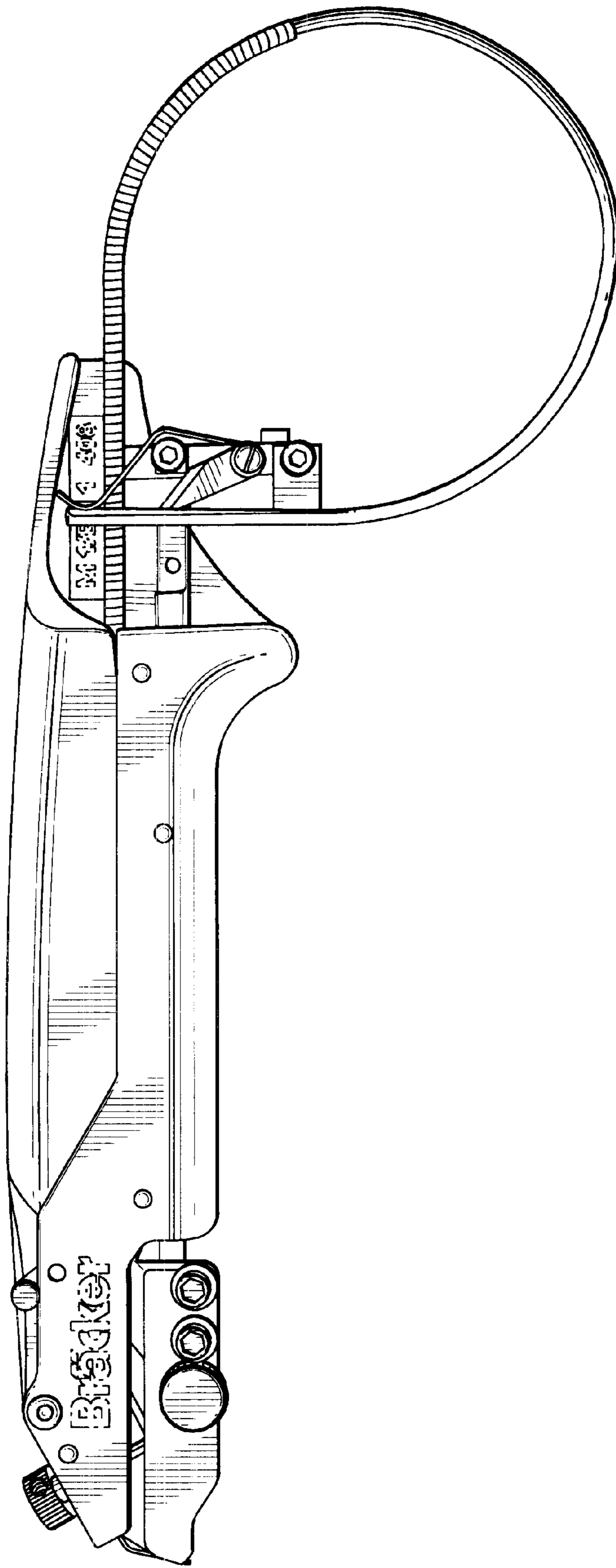


FIG. 1

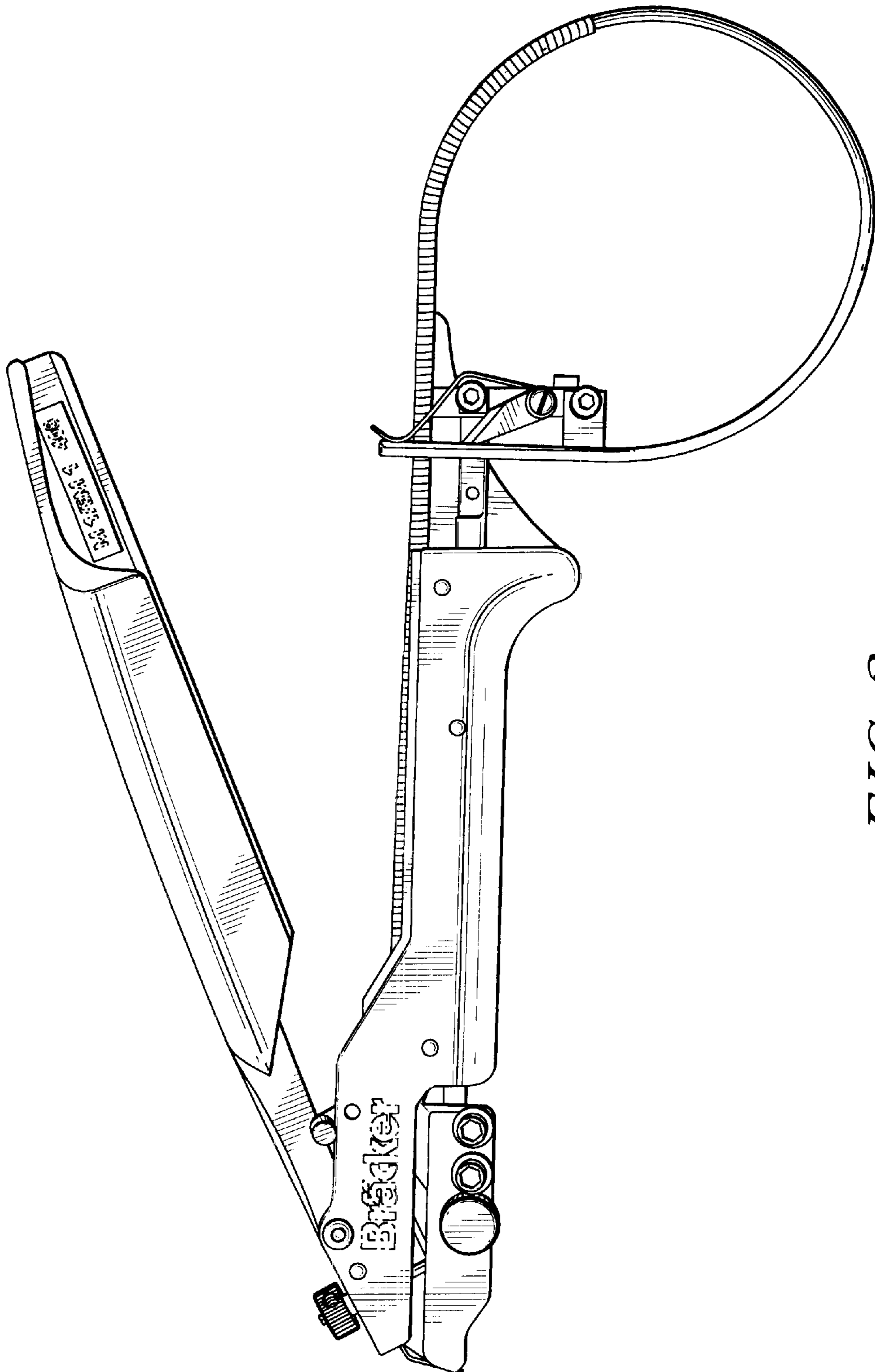


FIG. 2

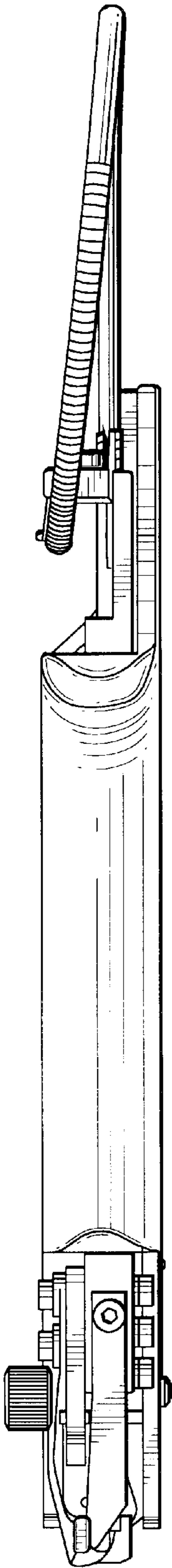


FIG. 3

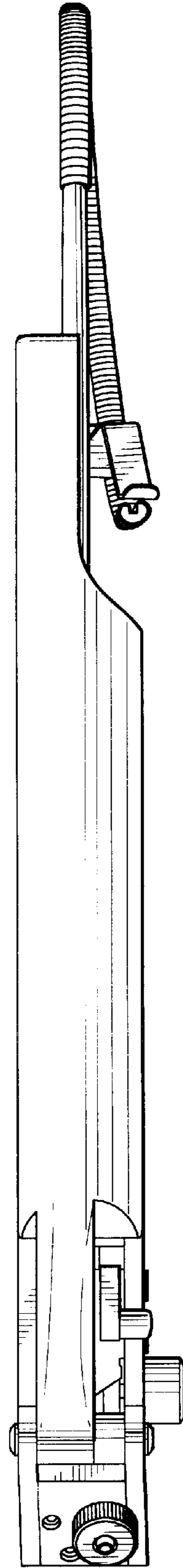


FIG. 4

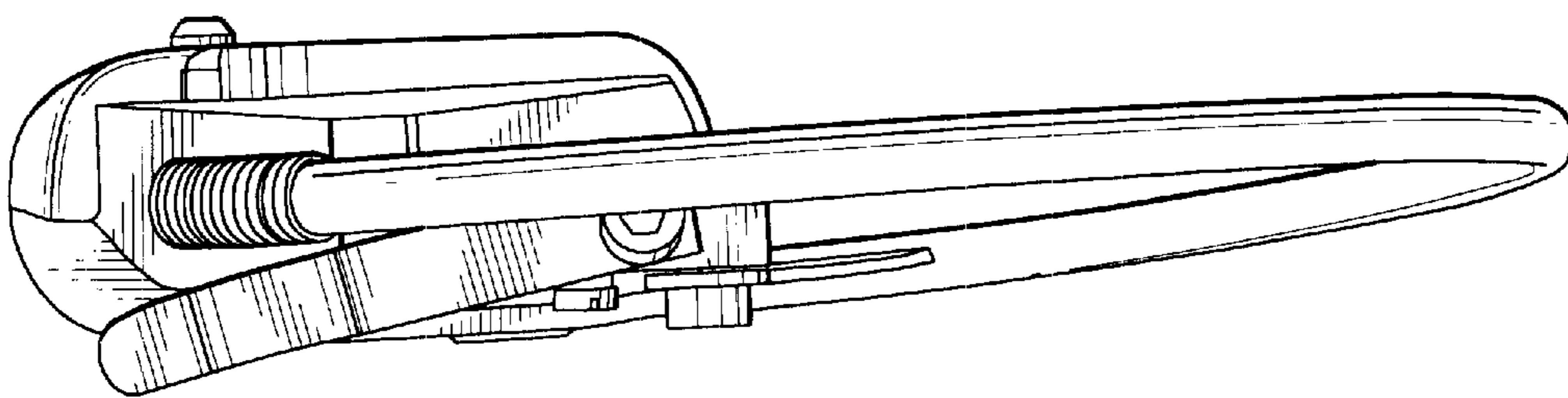


FIG. 5

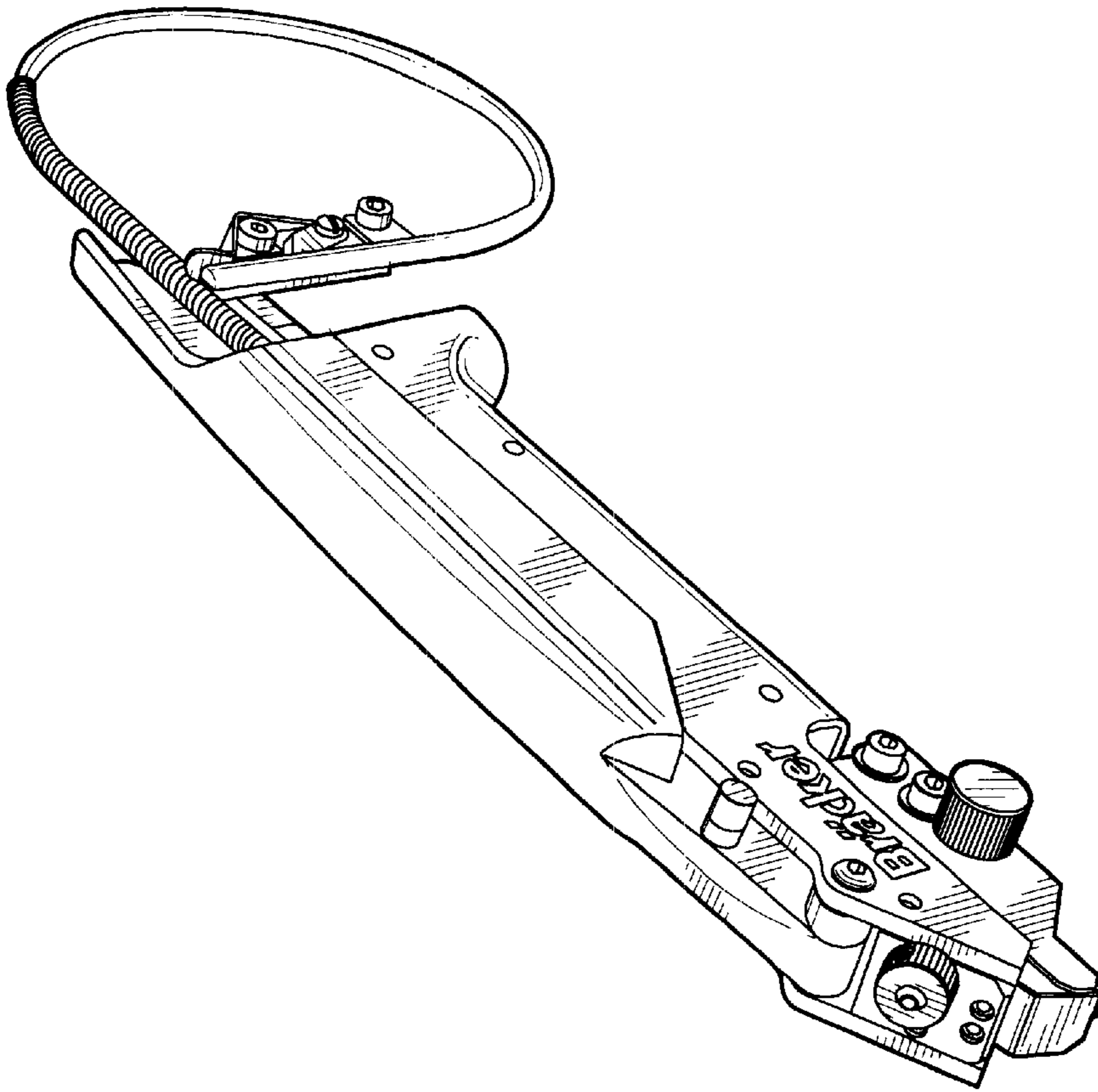


FIG. 6

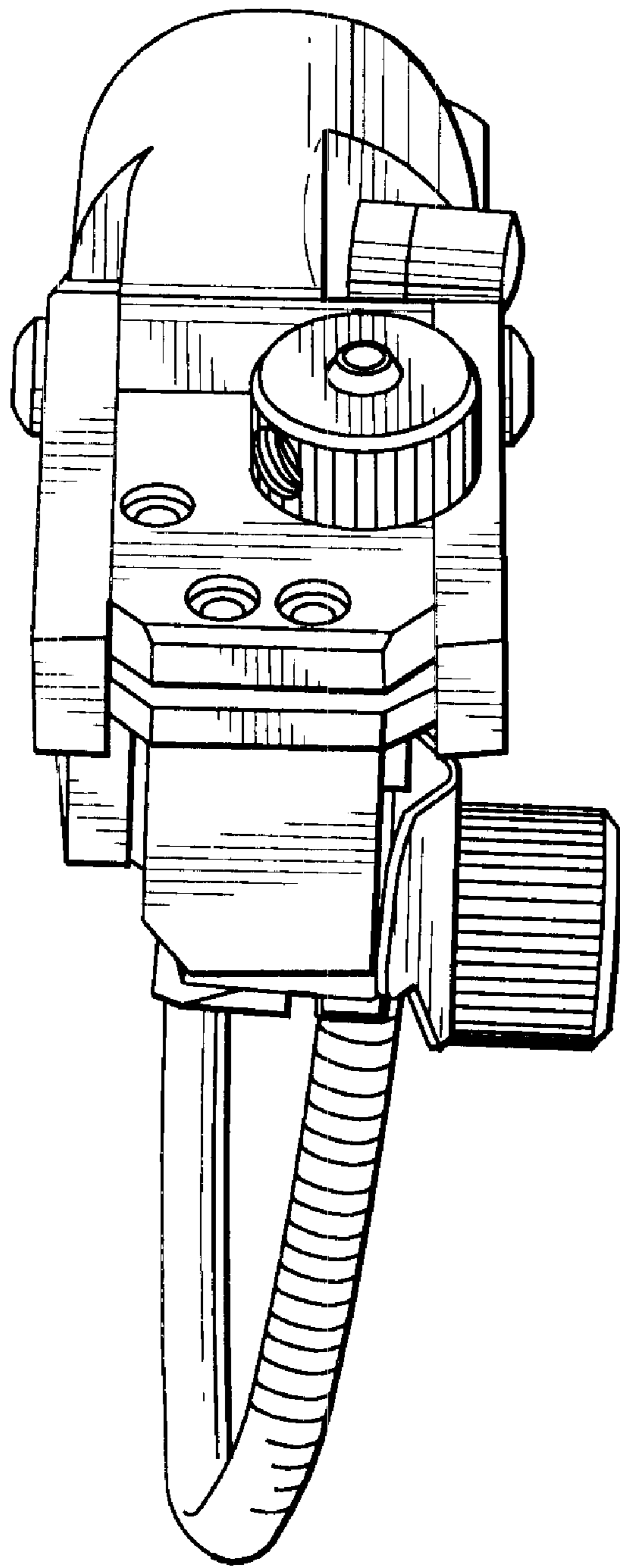


FIG. 7