



US00D468168S

(12) **United States Design Patent**  
**Gruenberg, Sr.**

(10) **Patent No.:** **US D468,168 S**

(45) **Date of Patent:** **\*\* Jan. 7, 2003**

(54) **COMBINATION COLANDER AND  
CONTAINER FOR SEPARATING UNPOPPED  
POPCORN KERNELS**

4,942,277 A \* 7/1990 Narberes ..... 99/323.5 X  
4,963,374 A 10/1990 Brandel et al.  
5,368,170 A 11/1994 Leis

(76) **Inventor:** **Michael W. Gruenberg, Sr.**, 12307  
NE. 9<sup>th</sup> St., Vancouver, WA (US)  
98684-5811

\* cited by examiner

*Primary Examiner*—Terry A. Wallace

(74) *Attorney, Agent, or Firm*—Donald R. Schoonover

(\*\*) **Term:** **14 Years**

(57) **CLAIM**

(21) **Appl. No.:** **29/156,344**

I claim the ornamental design for a combination colander and container for separating unpopped popcorn kernels, as shown and described.

(22) **Filed:** **Feb. 28, 2002**

(51) **LOC (7) Cl.** ..... **07-04**

**DESCRIPTION**

(52) **U.S. Cl.** ..... **D7/667**

FIG. 1 is a perspective view of a combination colander and container for separating unpopped popcorn kernels embodying the design of the present invention.

(58) **Field of Search** ..... D7/538-548, 667;  
99/323.5, 323.8, DIG. 4; 426/115, 124;  
209/235, 370, 417, 680

FIG. 2 is a front elevational view thereof; the rear elevational view, the right side elevational view, and the left side elevational view being identical thereto;

FIG. 3 is a top plan view thereof; and,

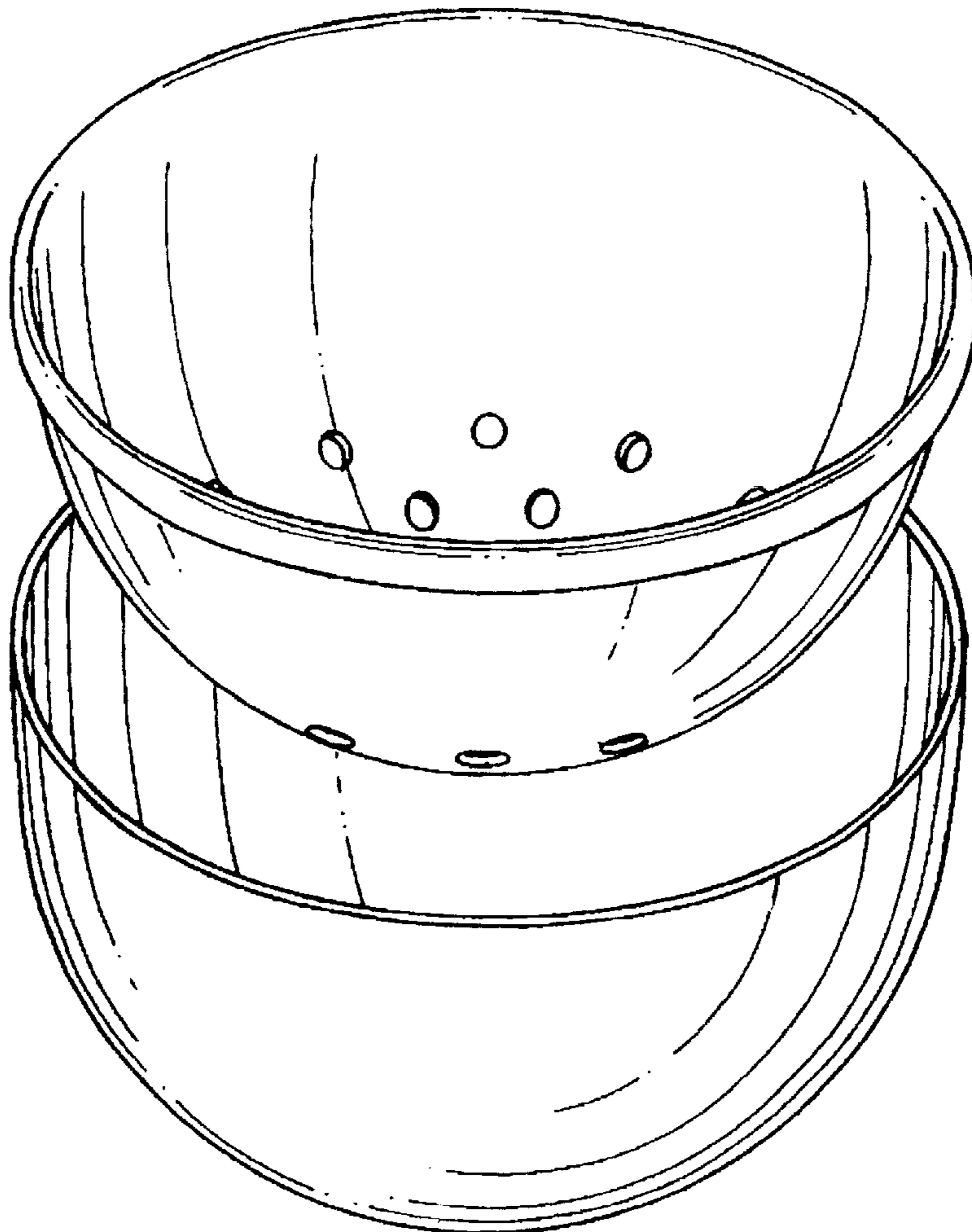
FIG. 4 is a bottom plan view thereof.

(56) **References Cited**

**U.S. PATENT DOCUMENTS**

D262,681 S \* 1/1982 Dawson ..... D7/667  
4,457,435 A 7/1984 Truman

**1 Claim, 3 Drawing Sheets**



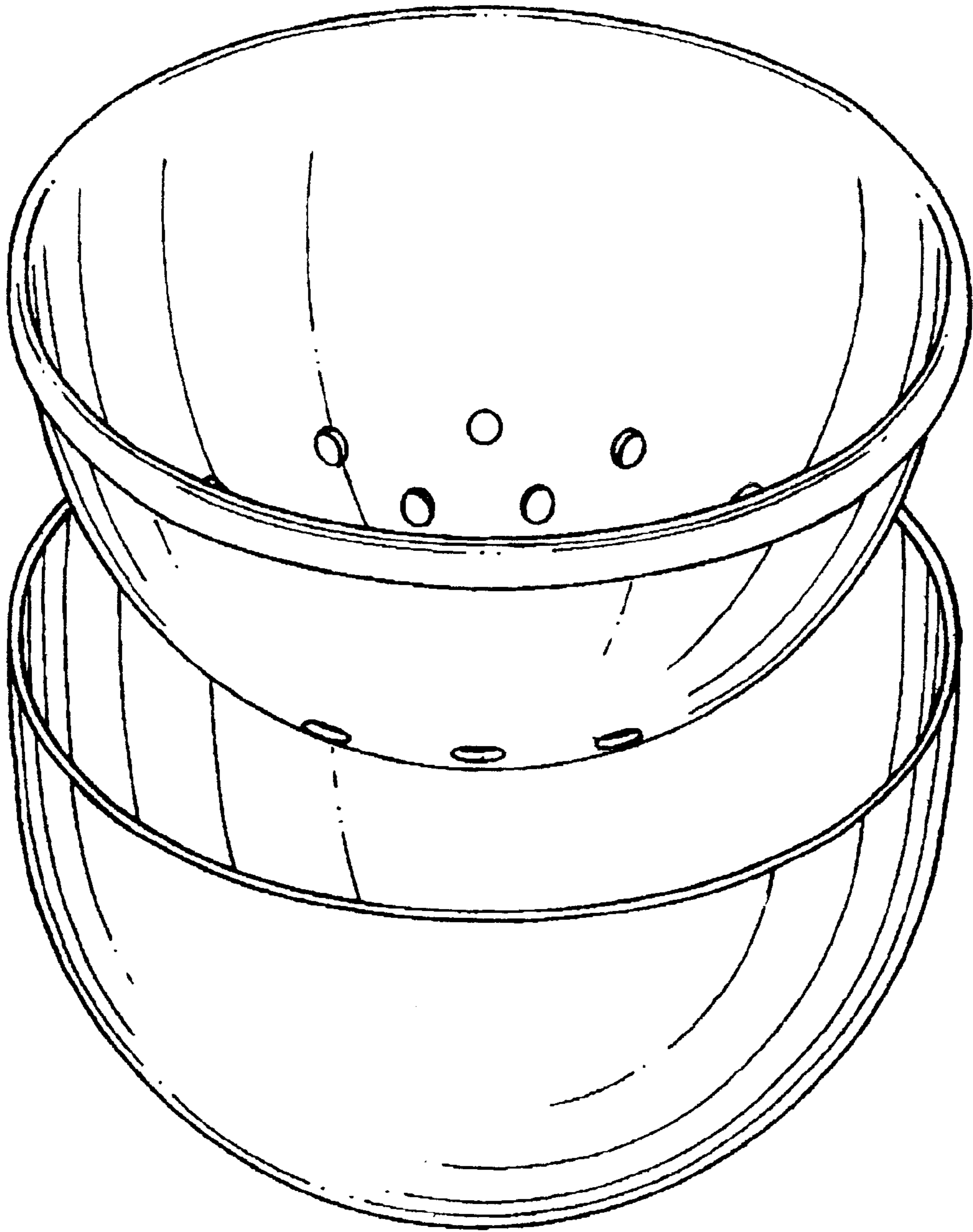


FIG. 1.

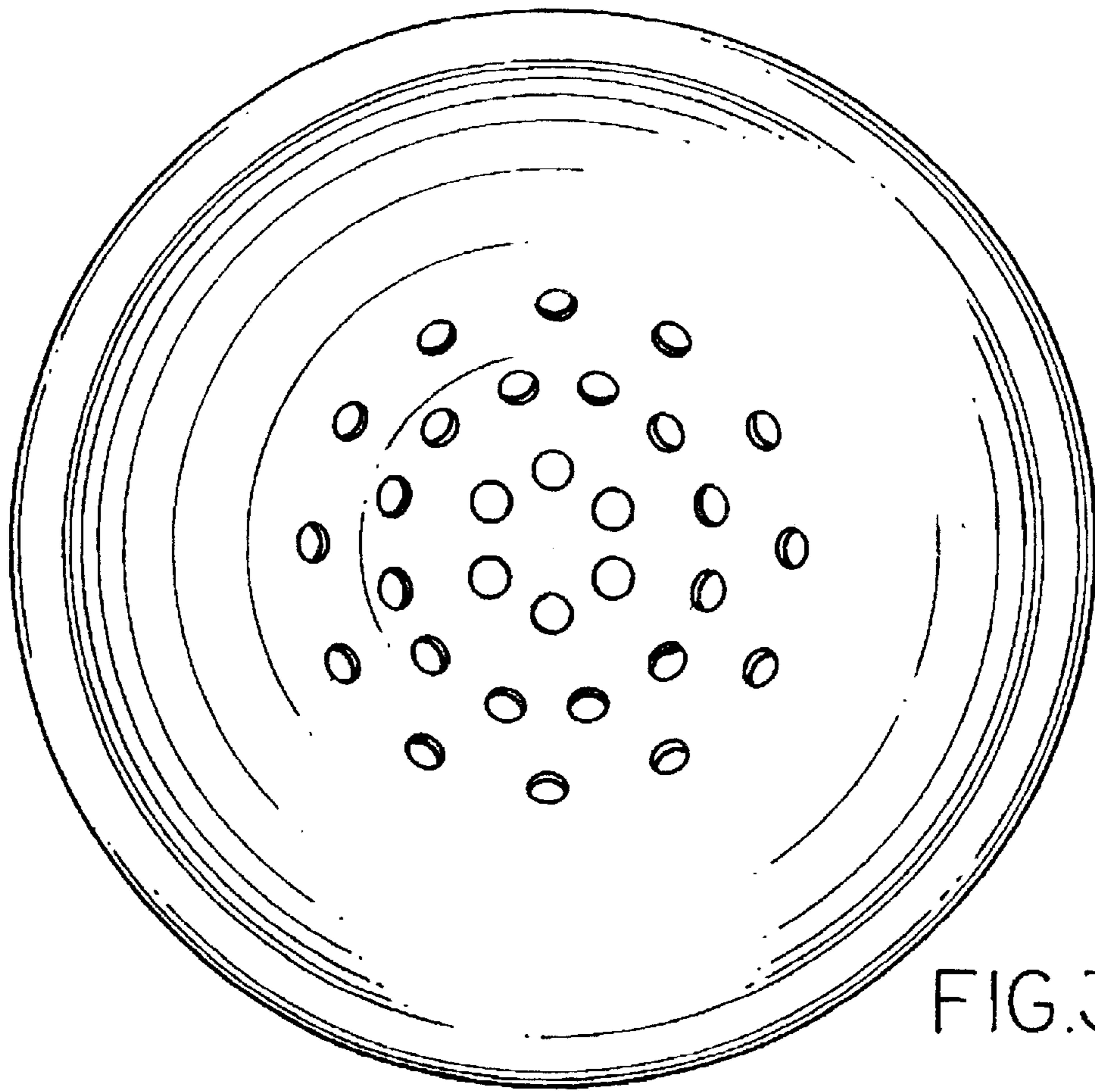


FIG. 3.

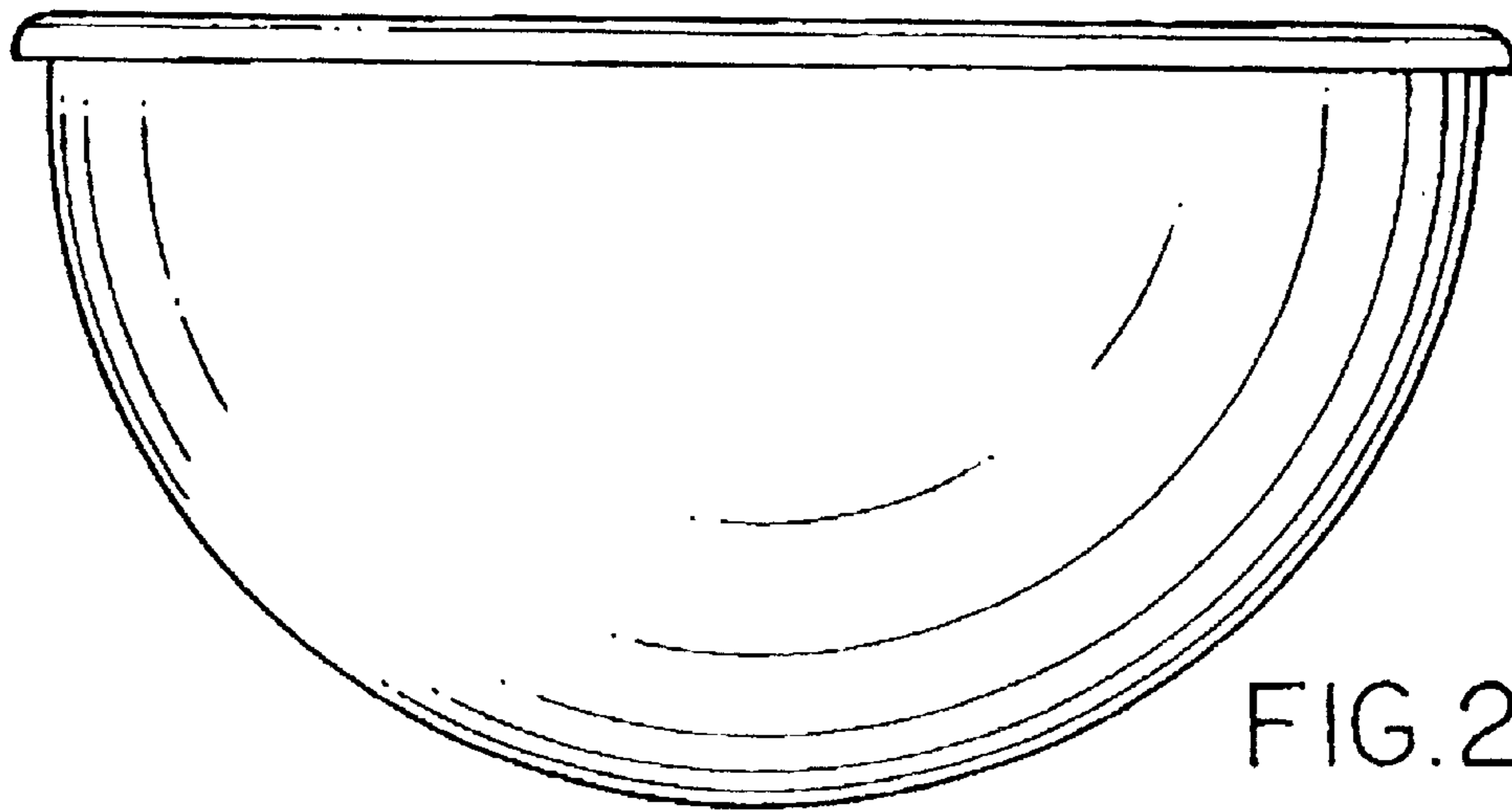


FIG. 2.

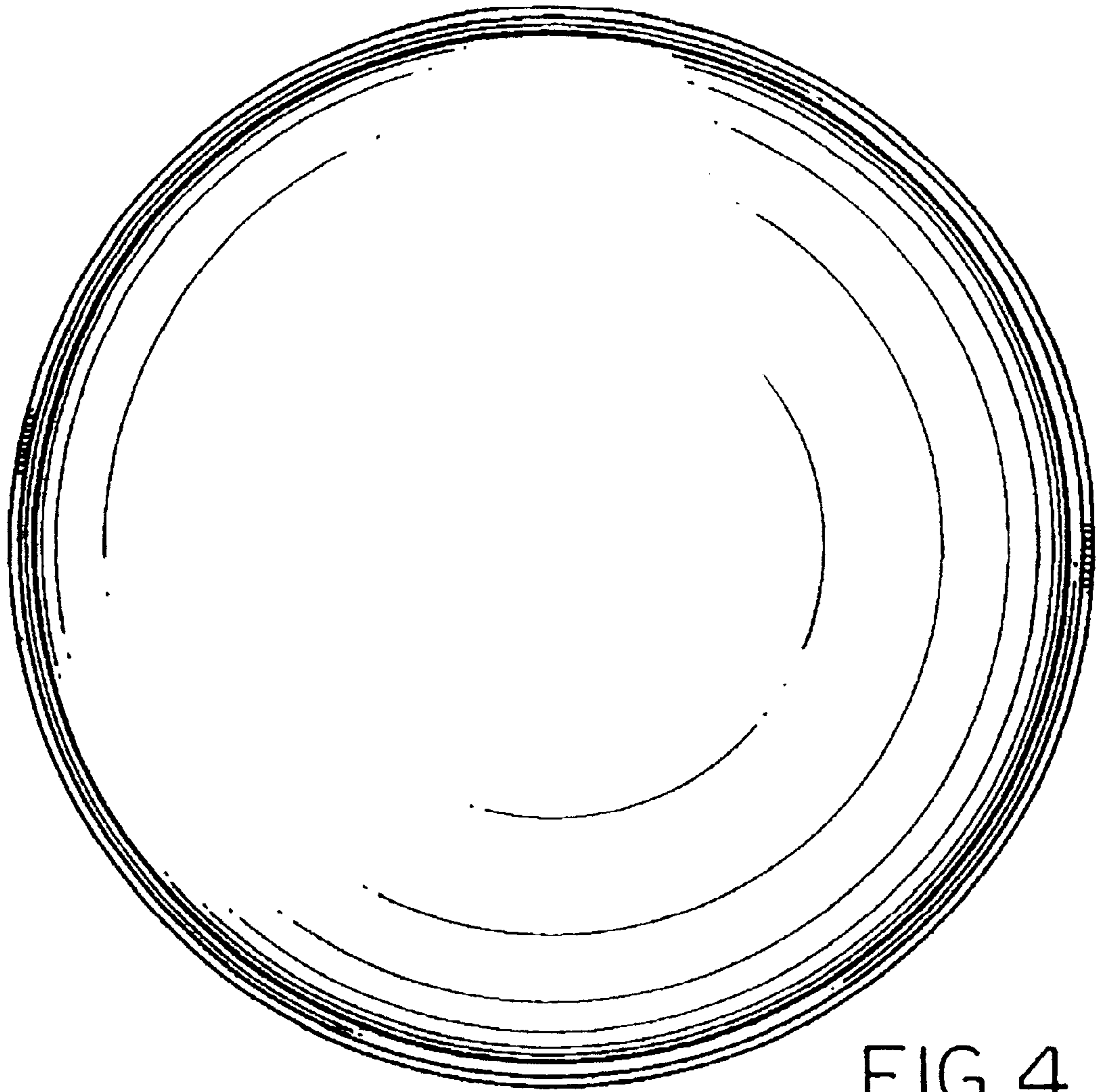


FIG. 4.