



US00D468167S

(12) **United States Design Patent**  
**Burton**

(10) **Patent No.:** **US D468,167 S**

(45) **Date of Patent:** **\*\* Jan. 7, 2003**

(54) **MOTORIZED APPARATUS FOR CENTRIFUGALLY REMOVING LIQUID GREASE AND FAT FROM COOKED FOOD**

6,443,313 B1 \* 9/2002 Uli ..... 99/496 X

\* cited by examiner

(76) Inventor: **Michael L. Burton**, 961 Tanbark Rd.,  
Lexington, KY (US) 40515

*Primary Examiner*—Terry A. Wallace

(74) *Attorney, Agent, or Firm*—Donald R. Schoonover

(\*\*) Term: **14 Years**

(57) **CLAIM**

The ornamental design of a motorized apparatus for centrifugally removing liquid grease and fat from cooked food, as shown.

(21) Appl. No.: **29/153,130**

(22) Filed: **Jan. 7, 2002**

**DESCRIPTION**

(51) **LOC (7) Cl.** ..... **31-00**

(52) **U.S. Cl.** ..... **D7/665**

(58) **Field of Search** ..... D7/665, 368, 369;  
99/409, 415, 426, 495, 496, 508; 210/315,  
335, 360.1, 464, 465

FIG. 1 is a perspective view of the motorized apparatus for centrifugally removing liquid grease and fat from cooked food embodying the design of the present invention.

FIG. 2 is a front elevational view thereof;

FIG. 3 is a rear elevational view thereof;

FIG. 4 is a left side elevational view thereof;

FIG. 5 is a right side elevational view thereof;

FIG. 6 is a top plan view thereof; and,

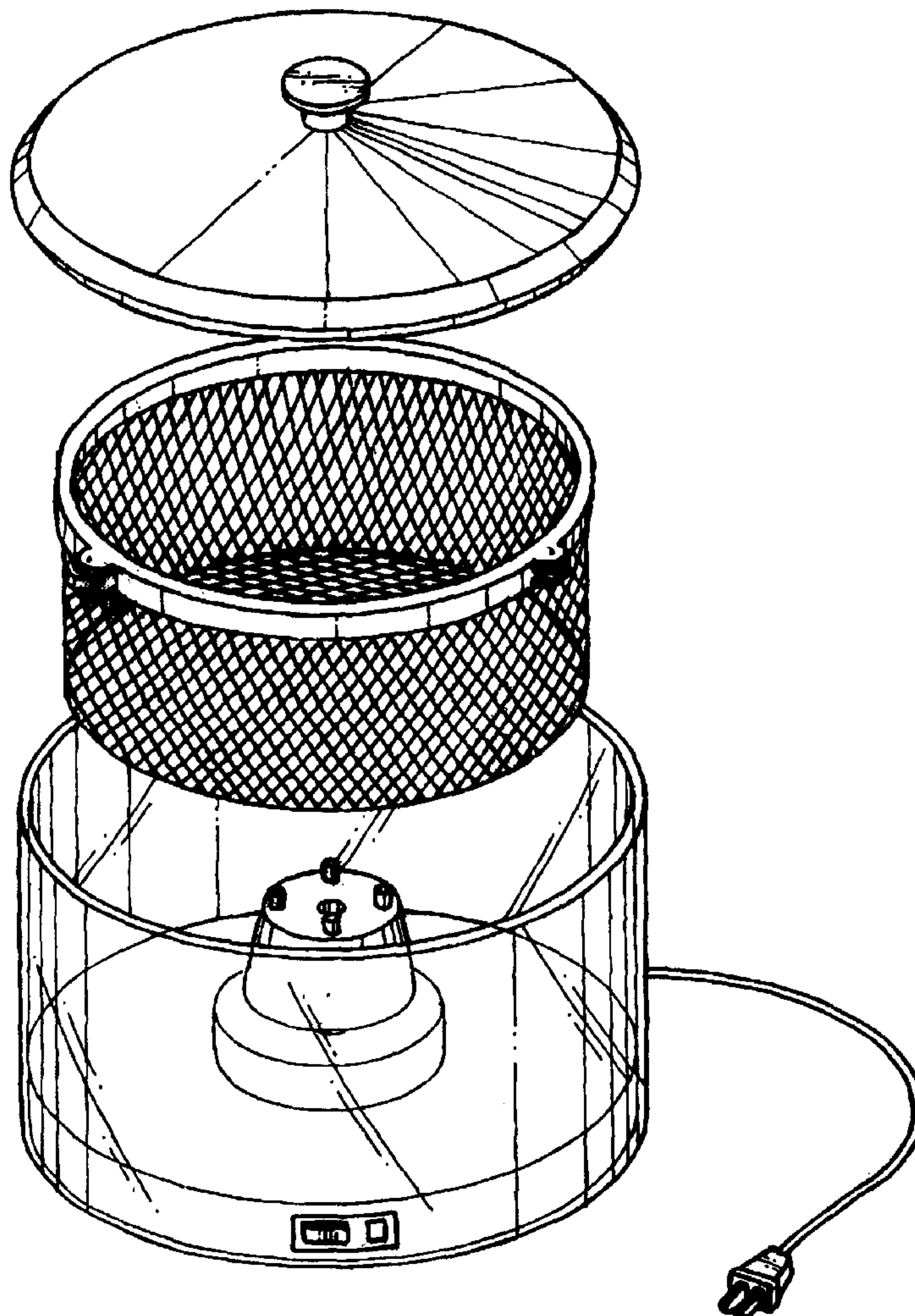
FIG. 7 is a bottom plan view thereof.

(56) **References Cited**

**U.S. PATENT DOCUMENTS**

2,367,448 A	1/1945	Thiele
3,466,997 A	9/1969	Hartzog
5,275,092 A	1/1994	Fauteux

**1 Claim, 4 Drawing Sheets**



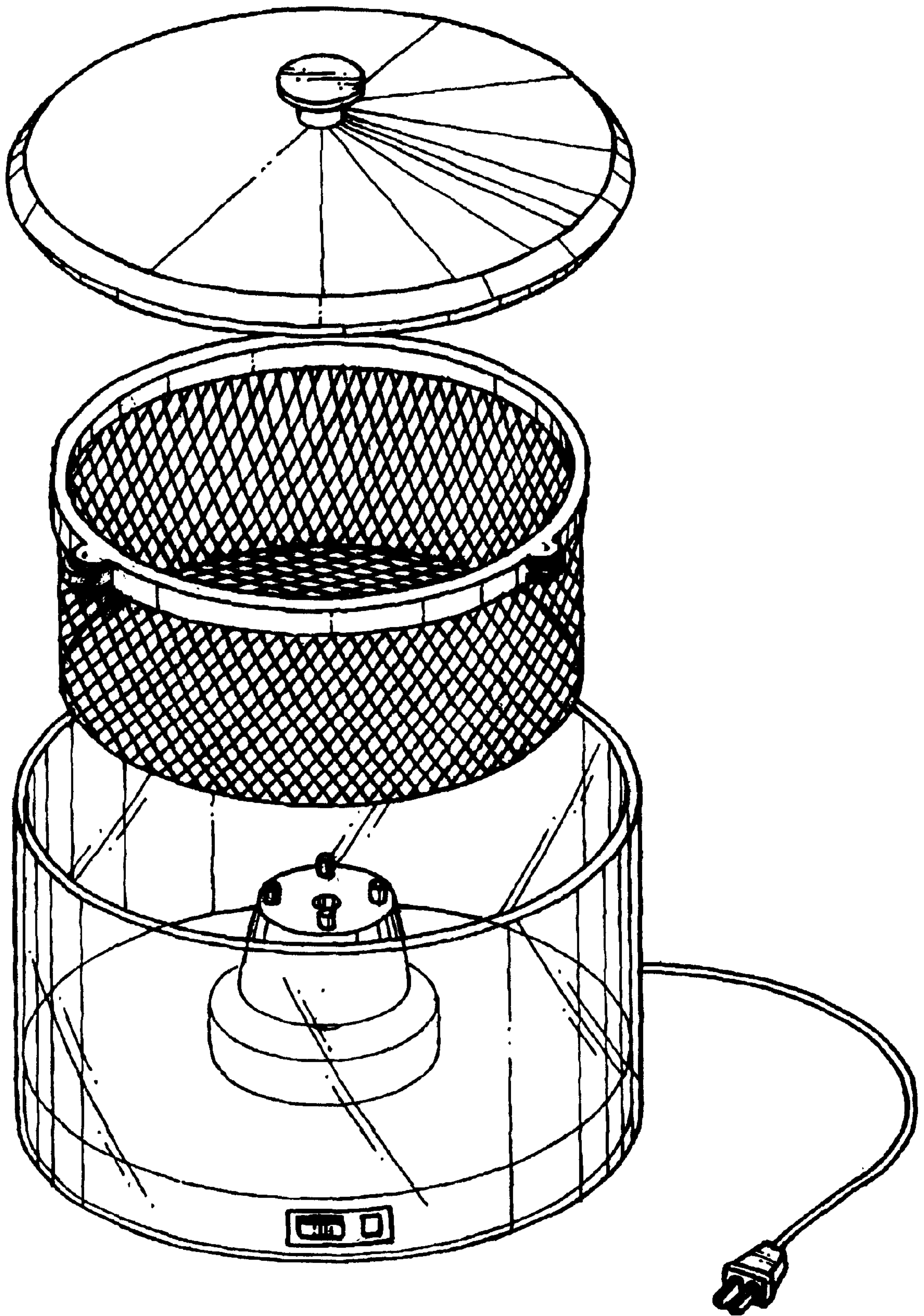


FIG. 1.



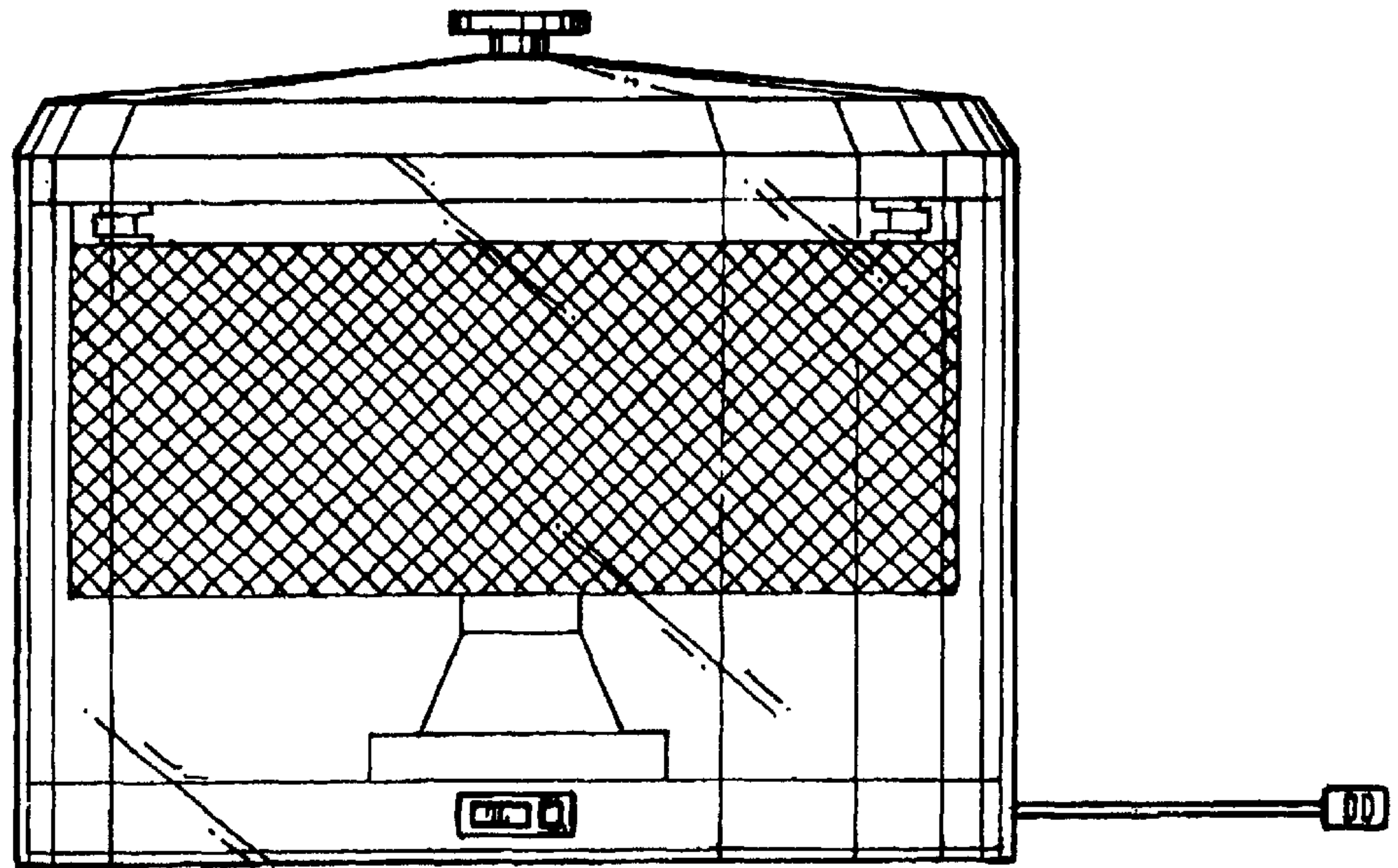


FIG. 2.

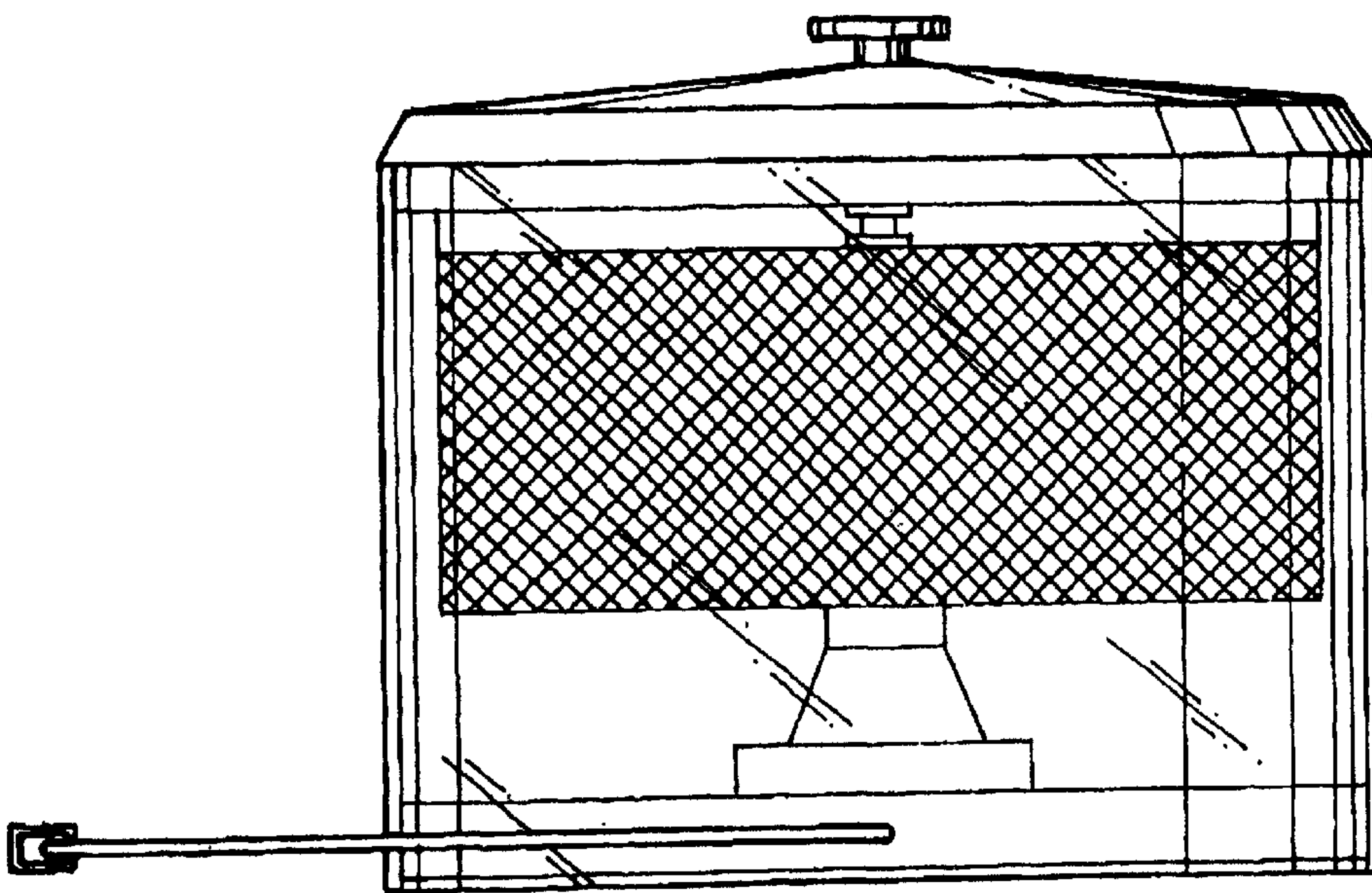


FIG. 3.

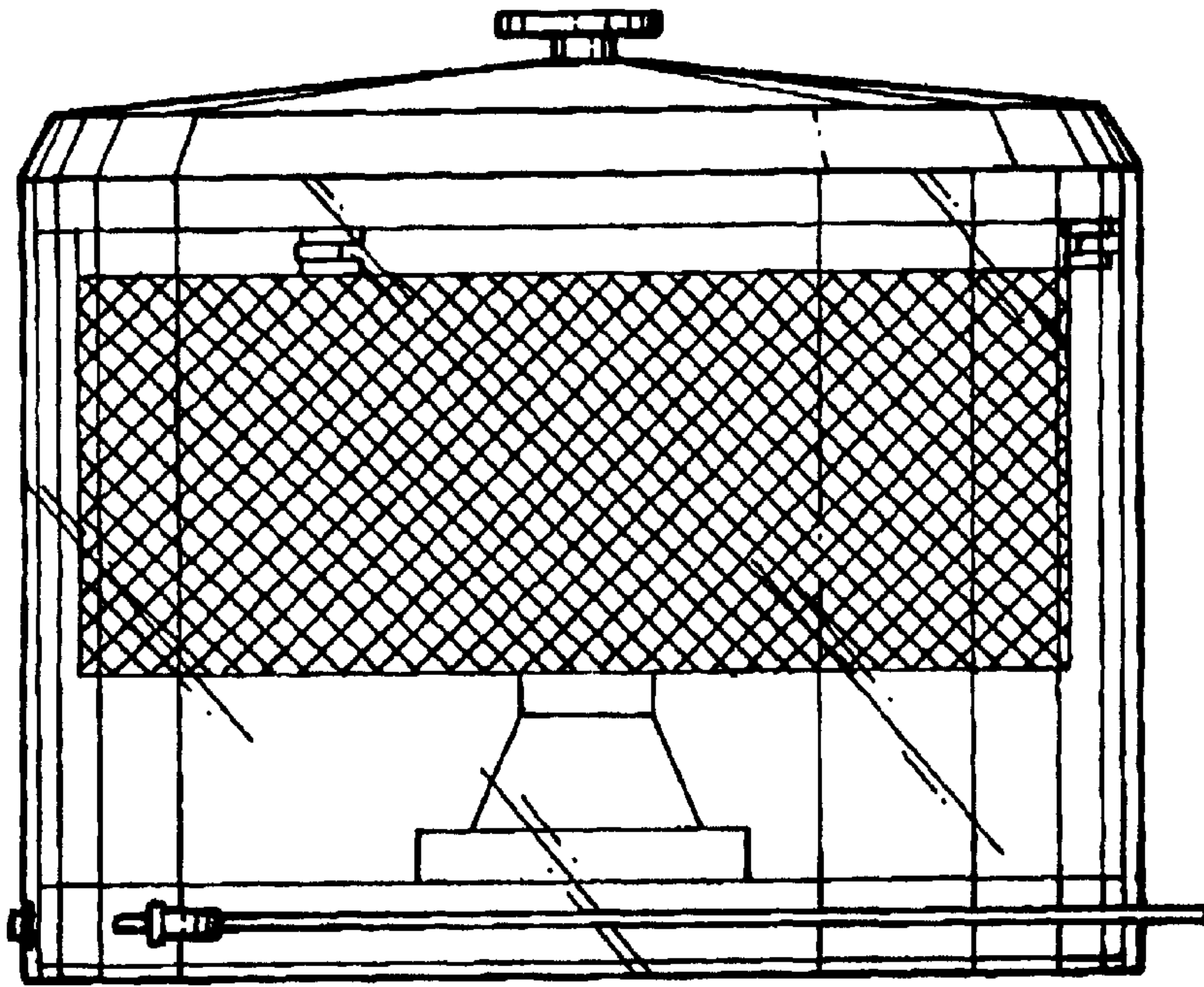


FIG. 4.

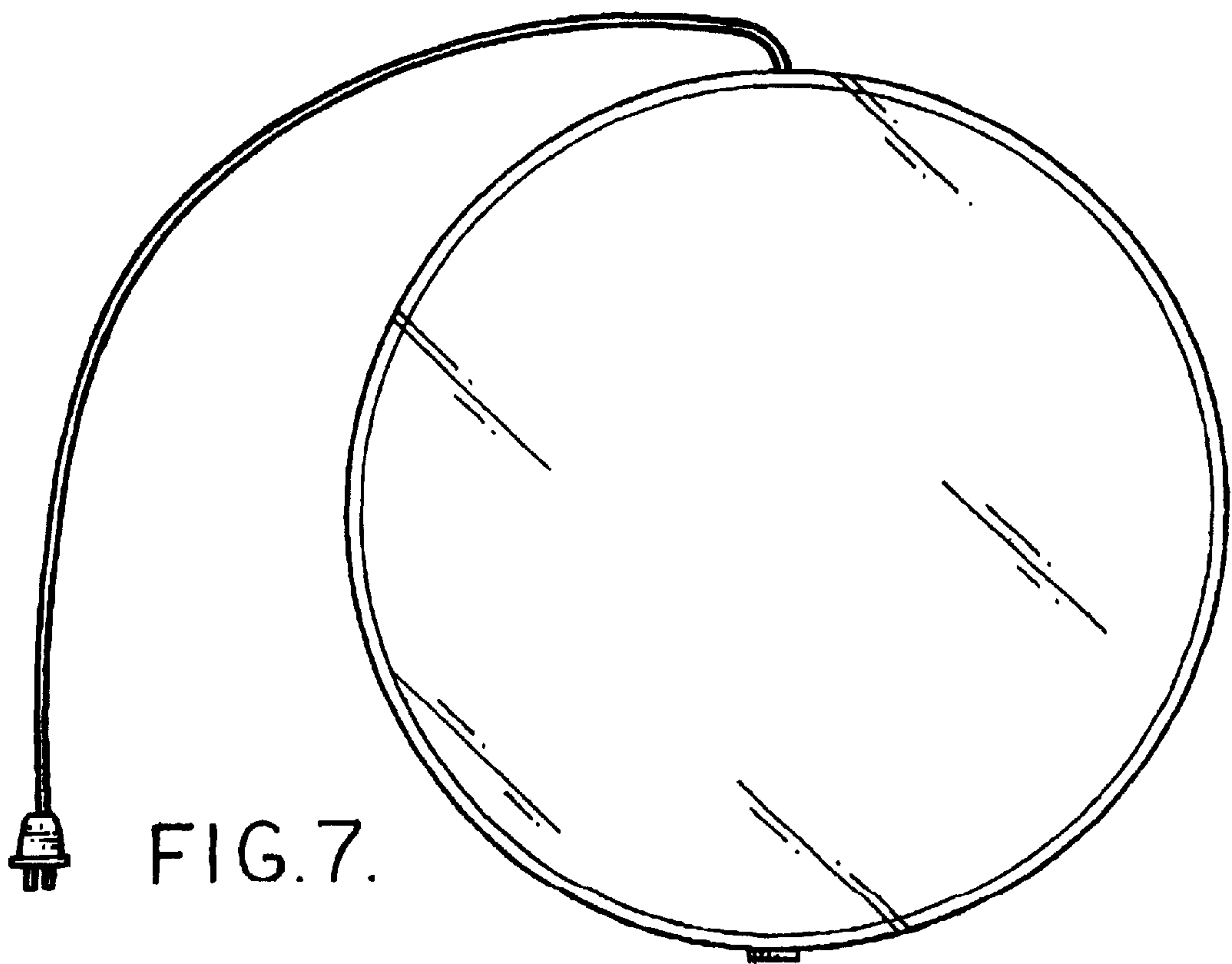


FIG. 7.

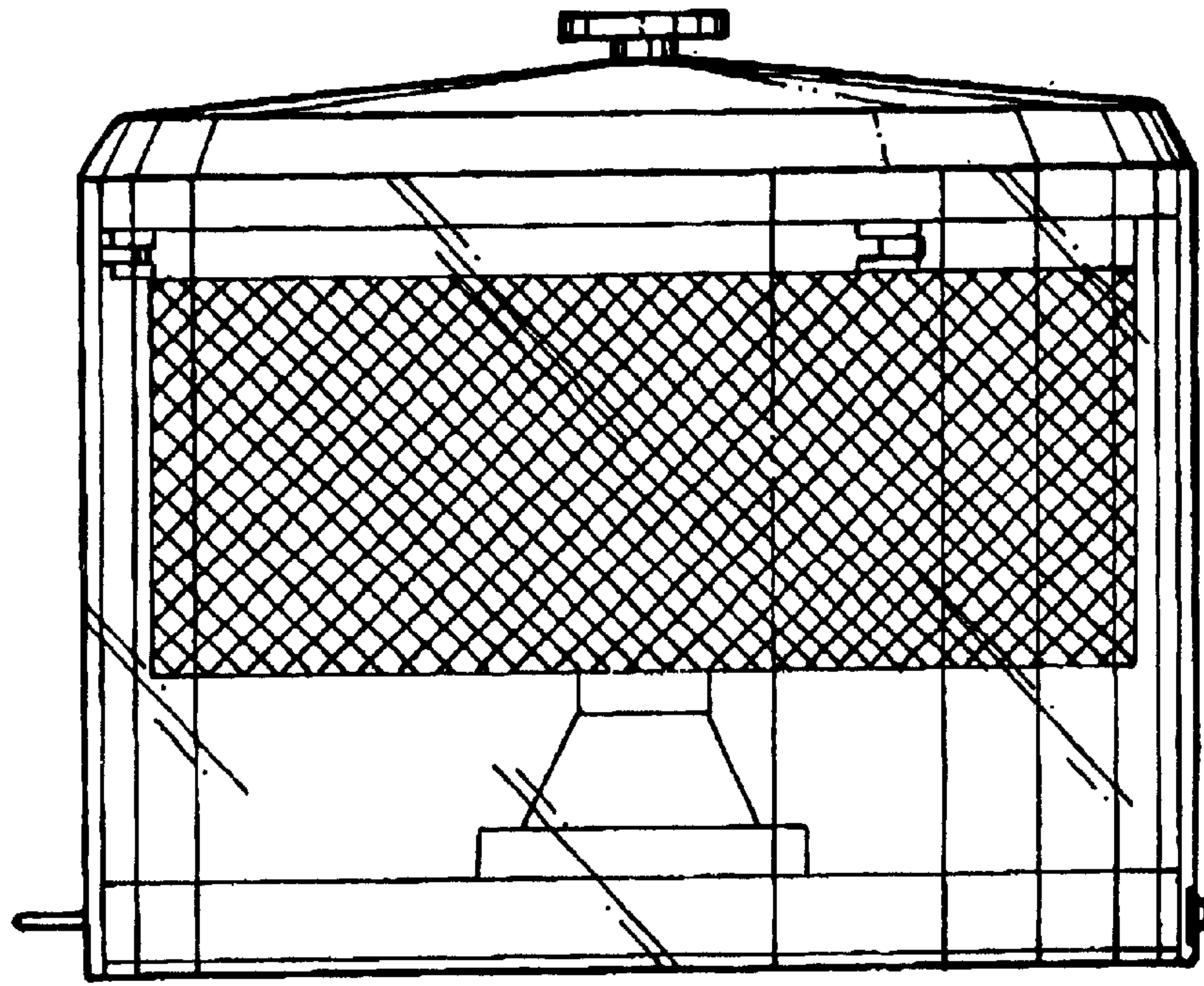


FIG. 5.

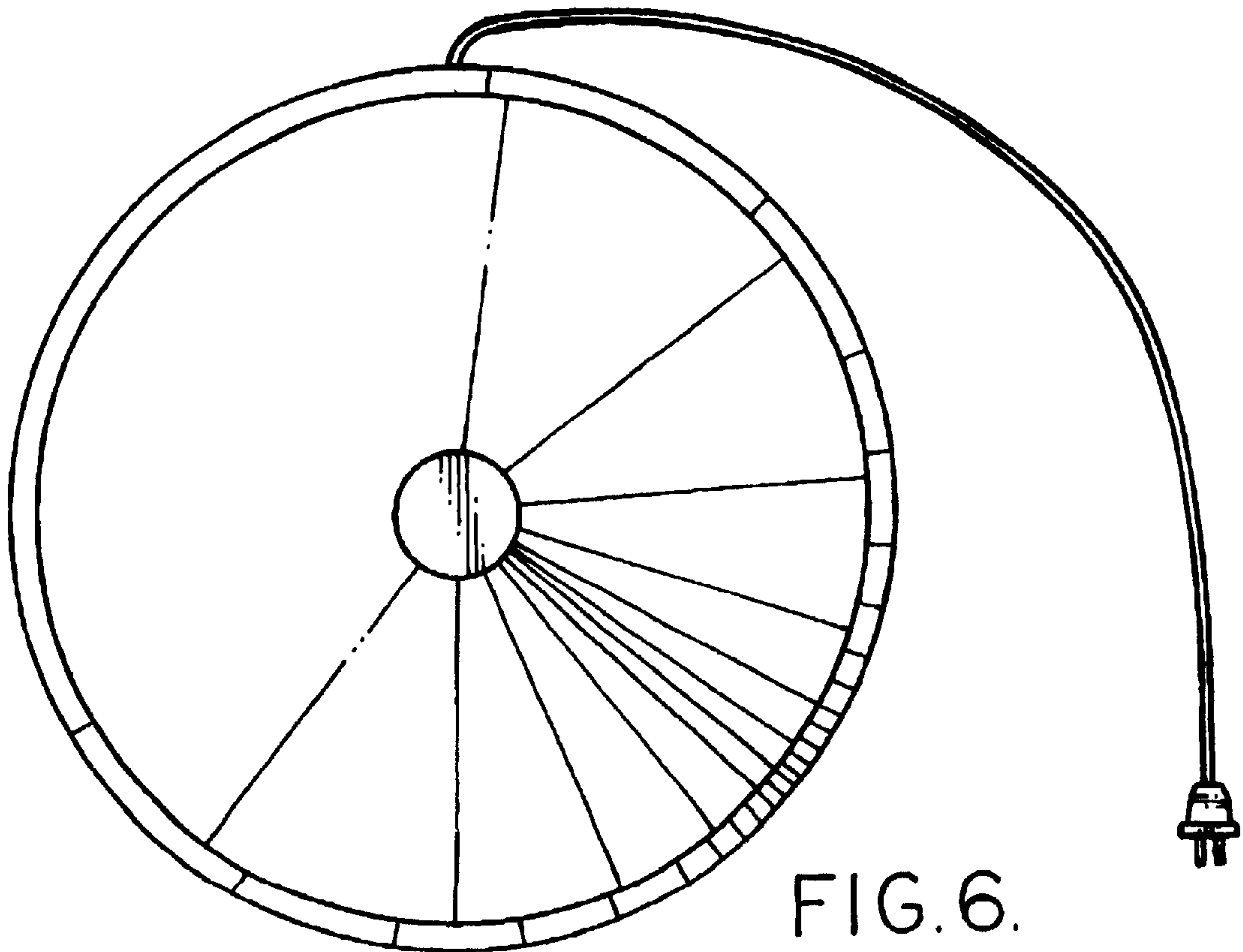


FIG. 6.