



US00D468165S

(12) **United States Design Patent**
Gerenraich

(10) **Patent No.:** **US D468,165 S**

(45) **Date of Patent:** **** Jan. 7, 2003**

(54) **BOTTLE/DISPENSER COUPLER**

4,347,879 A * 9/1982 Blaser 141/364
5,642,763 A * 7/1997 Kurtz 141/364 X

(75) Inventor: **Kenneth B. Gerenraich**, Seal Beach,
CA (US)

* cited by examiner

(73) Assignee: **Gerenraich Family Trust**, Seal Beach,
CA (US)

Primary Examiner—Terry A. Wallace
(74) *Attorney, Agent, or Firm*—Walter A. Hackler

(**) Term: **14 Years**

(57) **CLAIM**

(21) Appl. No.: **29/149,599**

The ornamental design for the bottle/dispenser coupler, as shown and described.

(22) Filed: **Oct. 12, 2001**

DESCRIPTION

(51) **LOC (7) Cl.** **07-06**

(52) **U.S. Cl.** **D7/619; D9/435**

(58) **Field of Search** D7/619, 700; D9/435;
211/74; 141/363–366, 375

FIG. 1 is a perspective view of the present invention showing the front, top and side of the invention;
FIG. 2 is a front elevational view of the present invention;
FIG. 3 is a side elevational view of the present invention;
and,
FIG. 4 is a plan view of the present invention.

(56) **References Cited**

U.S. PATENT DOCUMENTS

3,266,533 A * 8/1966 McHale 141/364 X

1 Claim, 1 Drawing Sheet

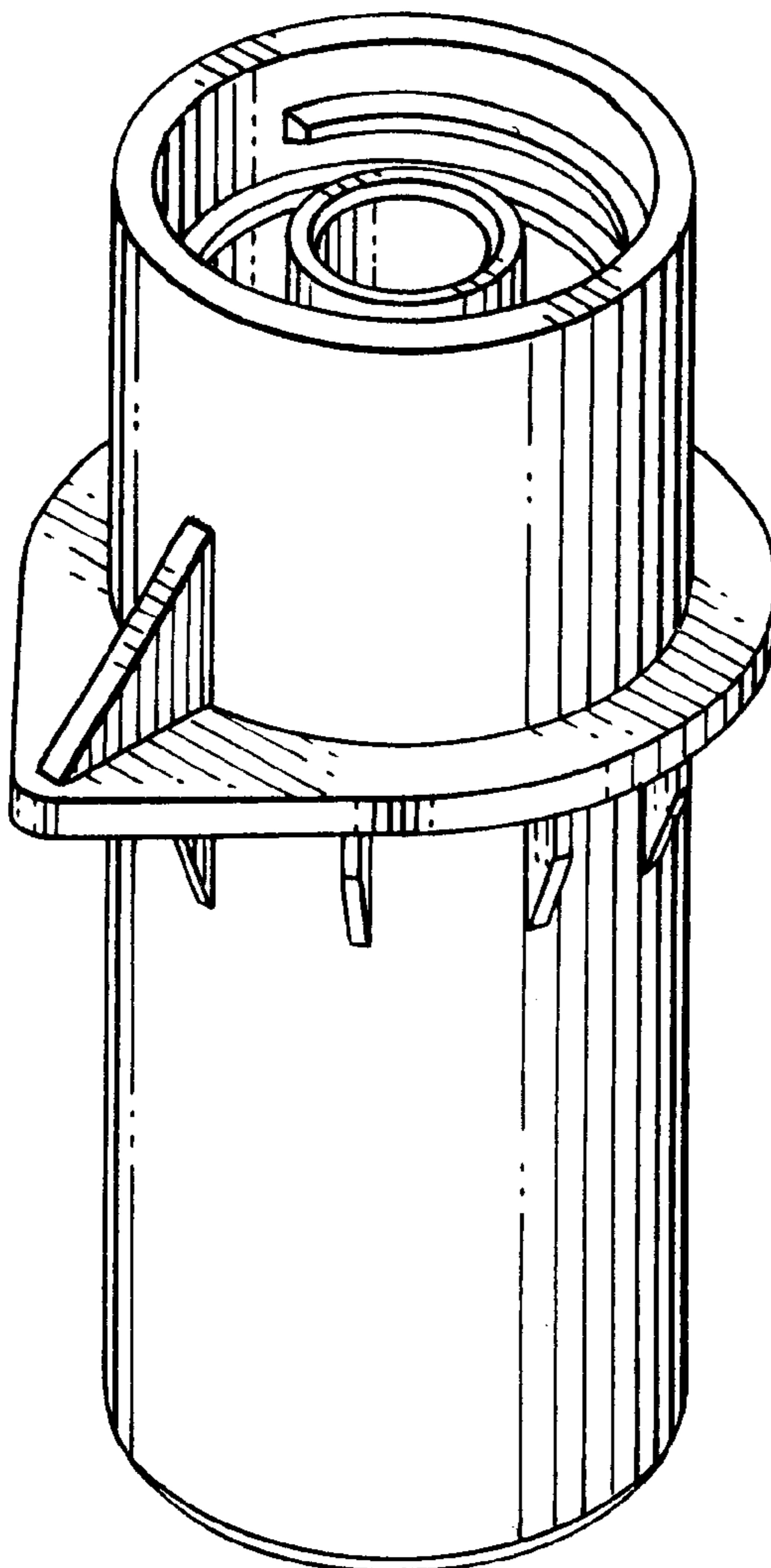


FIG. 1.

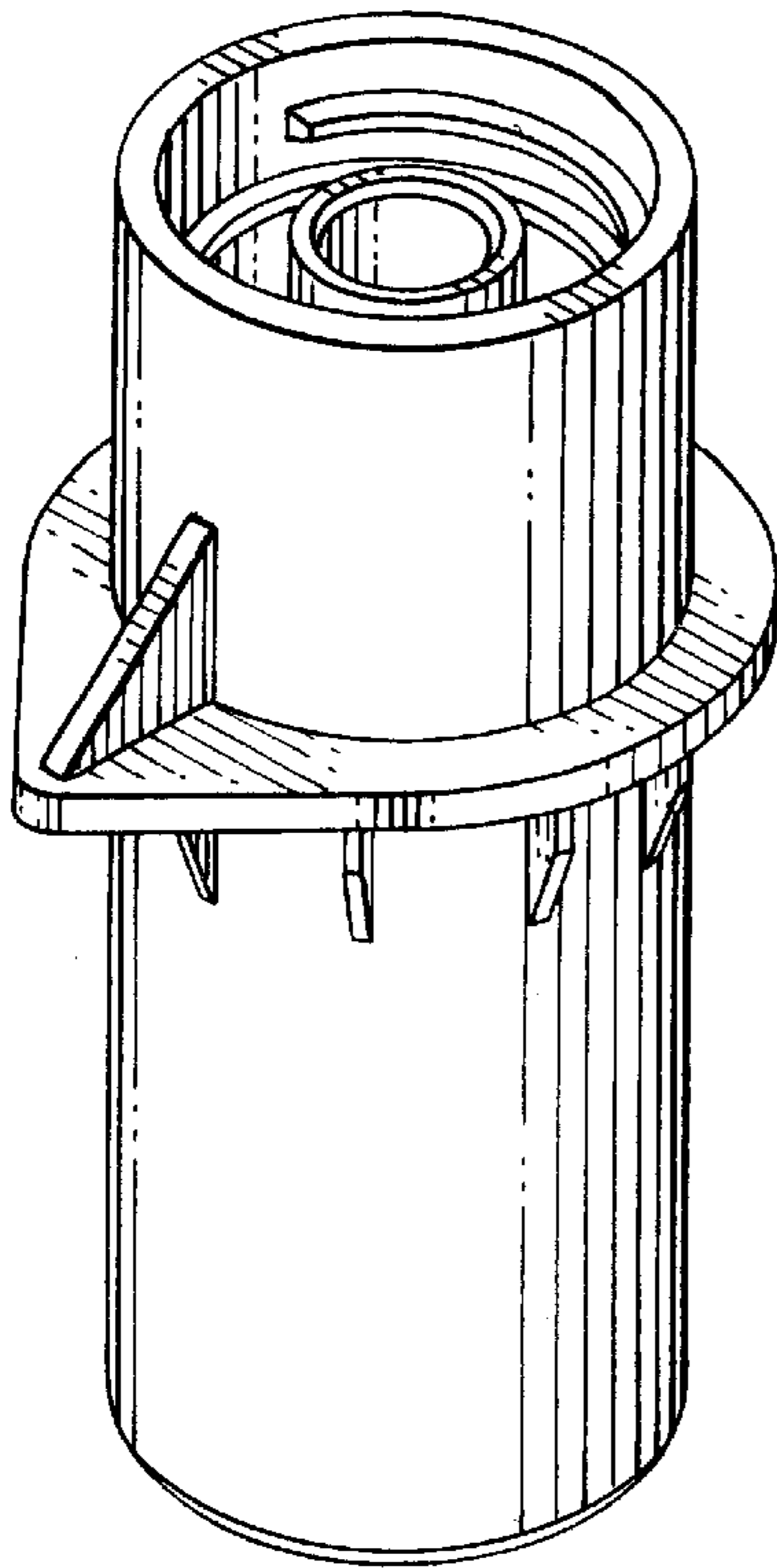


FIG. 2.

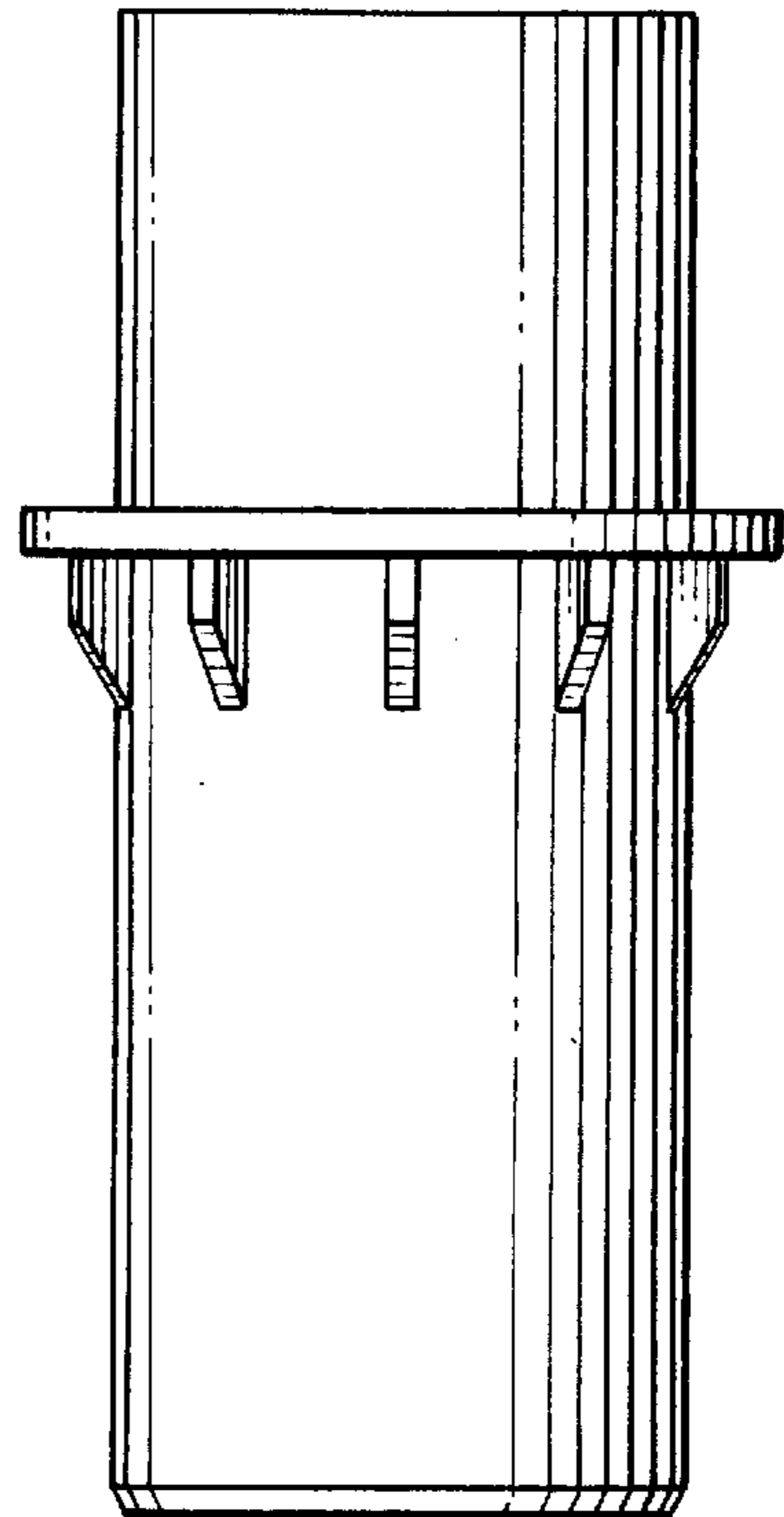


FIG. 3.

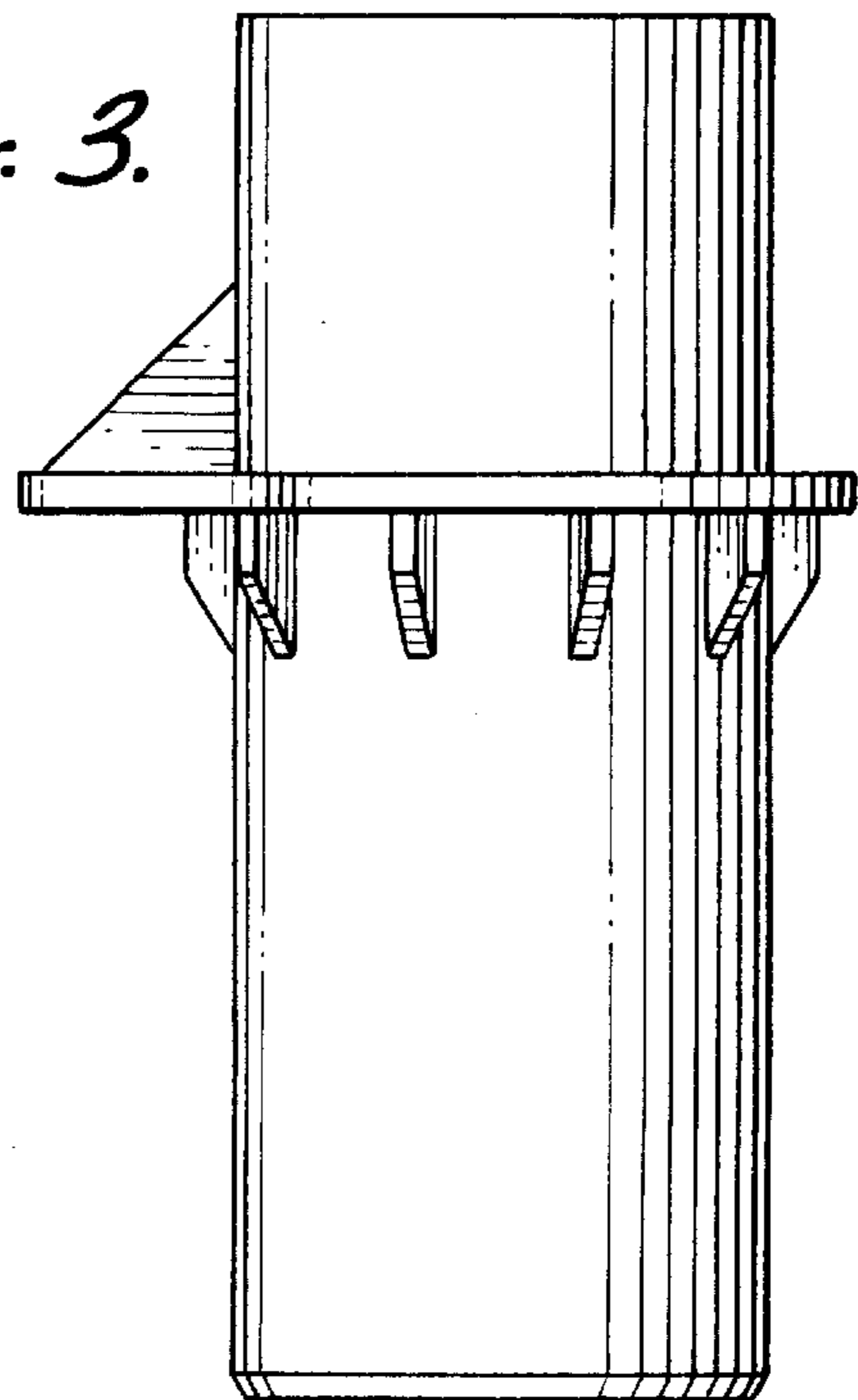


FIG. 4.

