



US00D468163S

(12) **United States Design Patent**
Blake et al.

(10) **Patent No.:** **US D468,163 S**
(45) **Date of Patent:** **** Jan. 7, 2003**

(54) **HOT LID HOLDER WITH DRIP PAN**
(76) Inventors: **Alma D. Blake**, 350 N. 100 W., Salina,
UT (US) 84654-1122; **Norma D. Blake**,
350 N. 100 W., Salina, UT (US)
84654-1122

4,790,503 A 12/1988 Pohler
5,683,010 A 11/1997 Boyajian, Jr.
5,752,687 A 5/1998 Lynch
5,979,673 A * 11/1999 Dooley 211/41.11
6,003,688 A 12/1999 Steidle
6,012,593 A 1/2000 Knittel et al.

(**) Term: **14 Years**

* cited by examiner

(21) Appl. No.: **29/155,205**

Primary Examiner—Terry A. Wallace

(22) Filed: **Feb. 7, 2002**

(74) *Attorney, Agent, or Firm*—Donald R. Schoonover

(51) **LOC (7) Cl.** **07-07**

(52) **U.S. Cl.** **D7/601**

(58) **Field of Search** D7/601, 637-641;
D19/34.1, 34.2; D6/462, 468; 211/41.11,
41.2, 71.01, 70.7, 181.1; 248/37.3, 37.6,
176.1, 176.2

(57) **CLAIM**

The ornamental design for a hot lid holder with drip pan, as shown and described.

DESCRIPTION

FIG. 1 is a perspective view of a hot lid holder with drip pan embodying the design of the present invention. The broken line showing of environmental structure is for illustrative purposes only and forms no part of the claimed design.

FIG. 2 is a front elevational view thereof;

FIG. 3 is a rear elevational view thereof;

FIG. 4 is a side elevational view thereof;

FIG. 5 is a top plan view thereof; and,

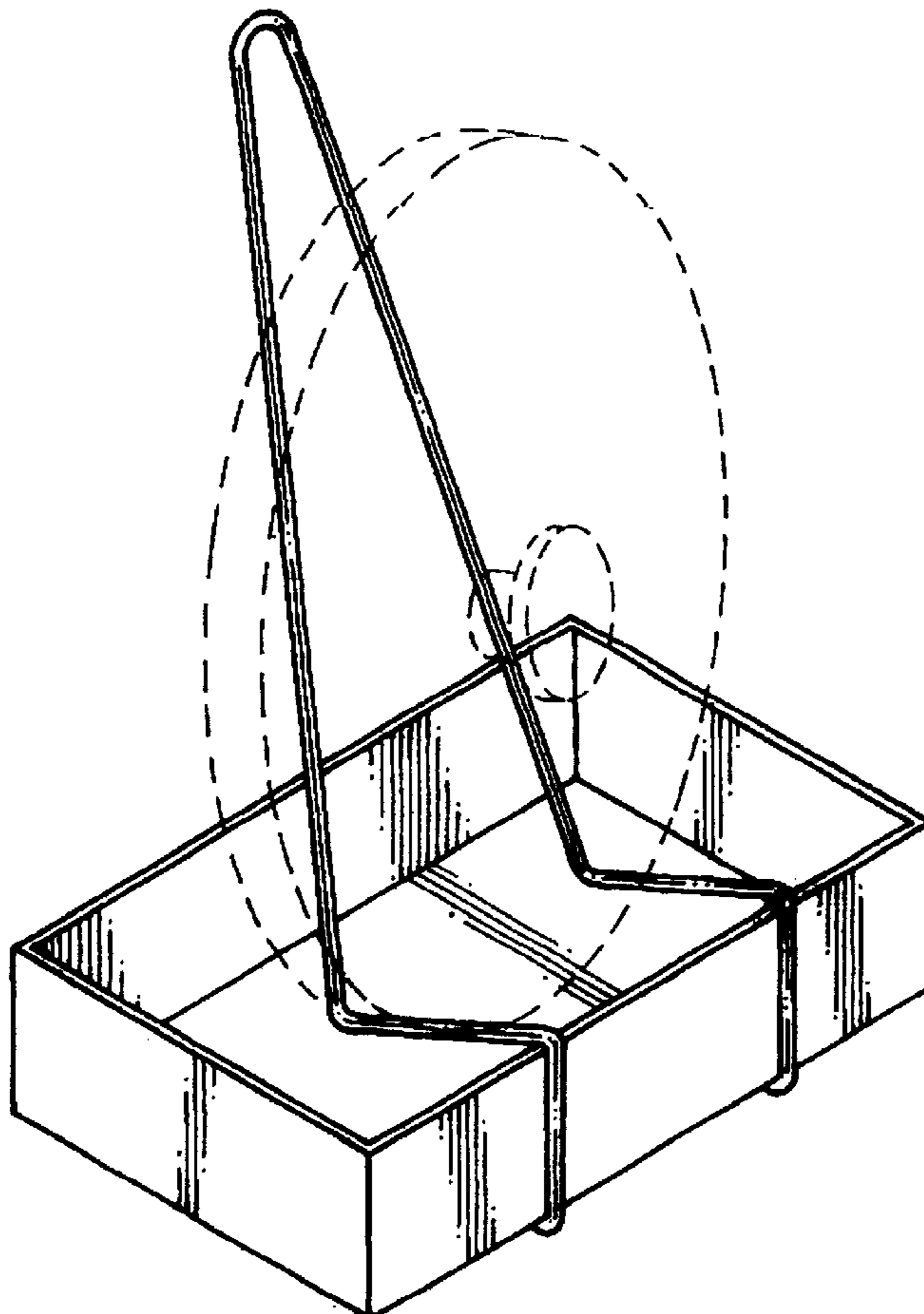
FIG. 6 is a bottom plan view thereof.

(56) **References Cited**

U.S. PATENT DOCUMENTS

2,235,986 A 3/1941 Ellingson
2,457,898 A 1/1949 Hummel
2,662,717 A * 12/1953 Johnson 211/41.11 X
D181,365 S 11/1957 Miller
3,532,224 A 10/1970 Grubb et al.
4,632,258 A 12/1986 Borner

1 Claim, 3 Drawing Sheets



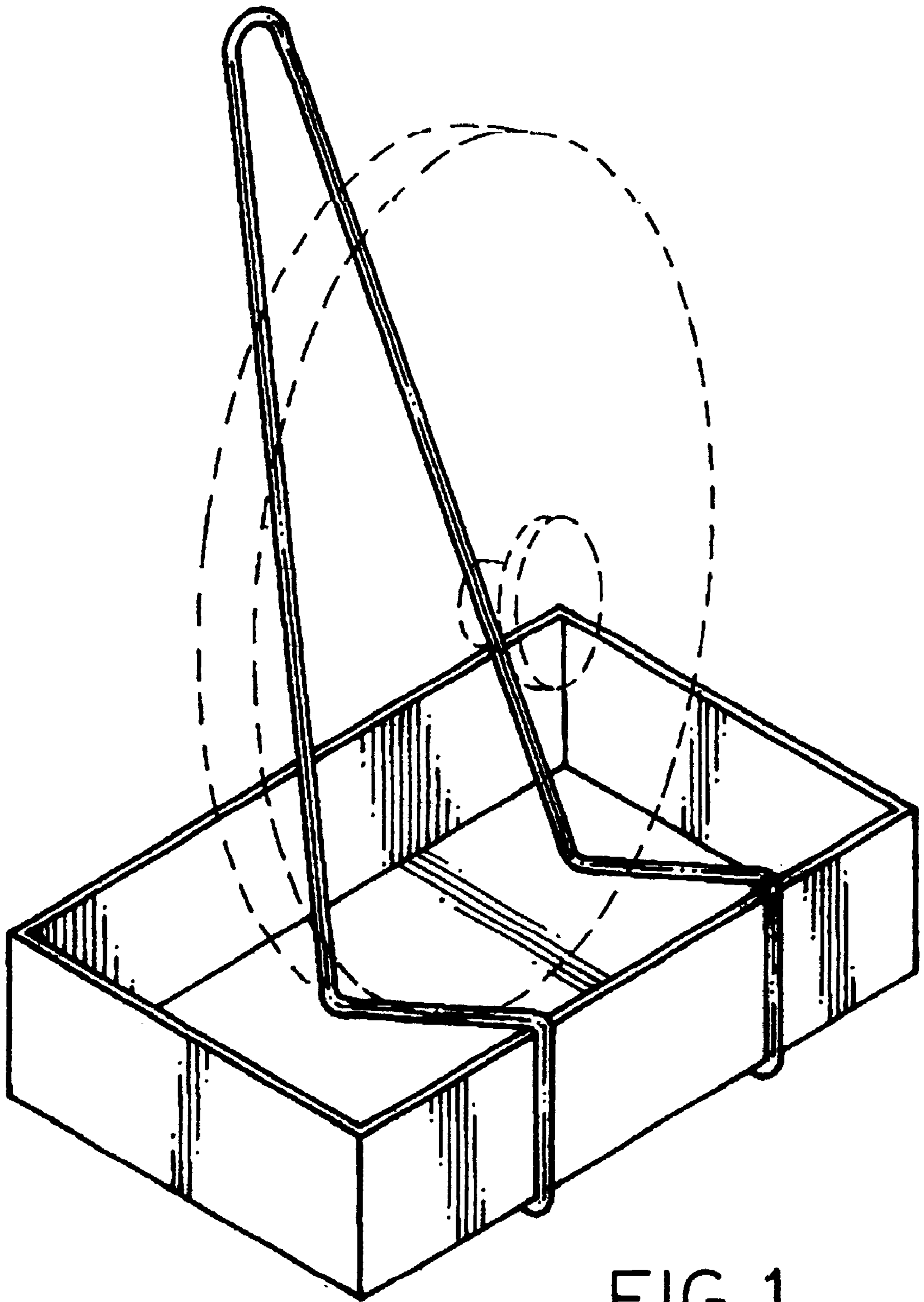


FIG. 1.

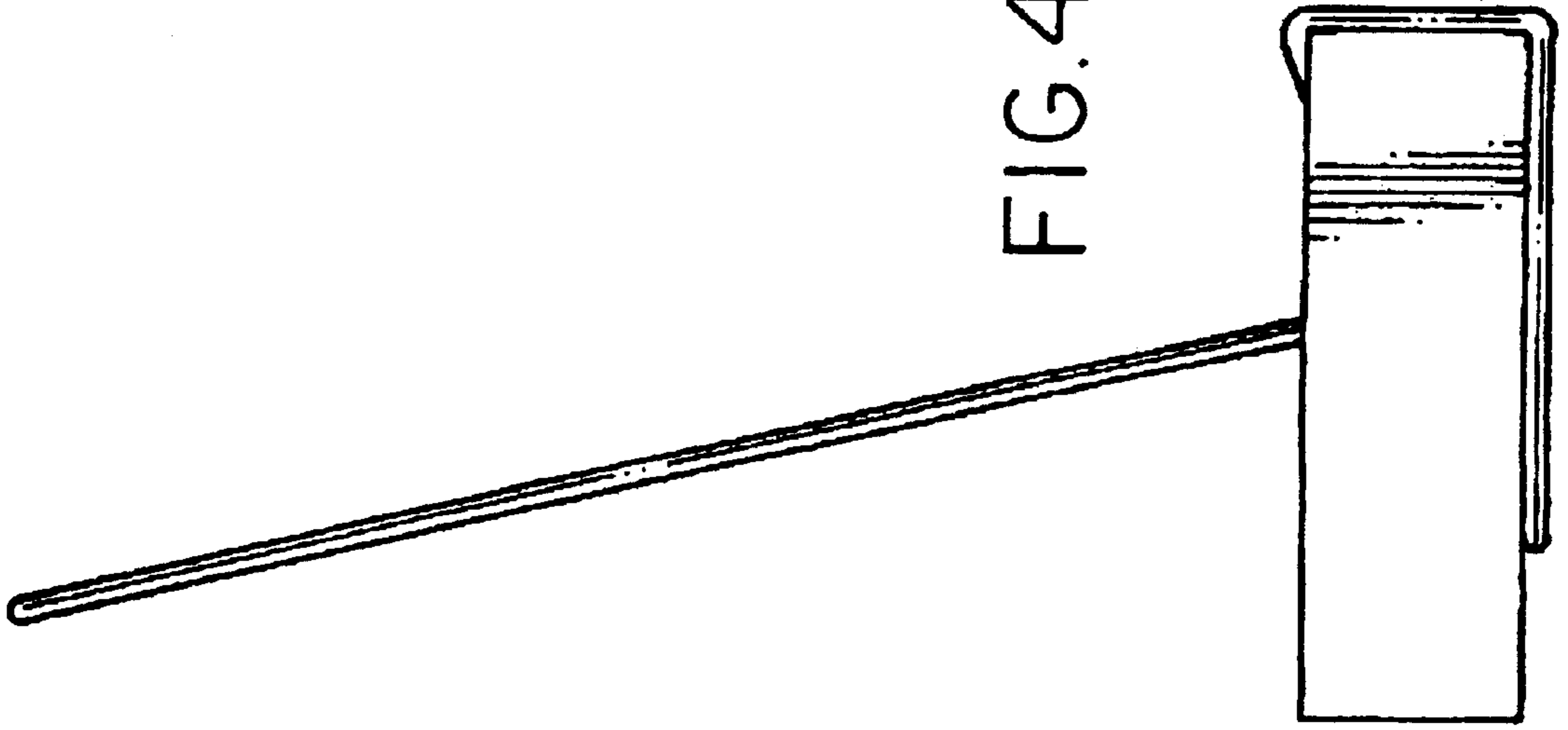


FIG. 4.

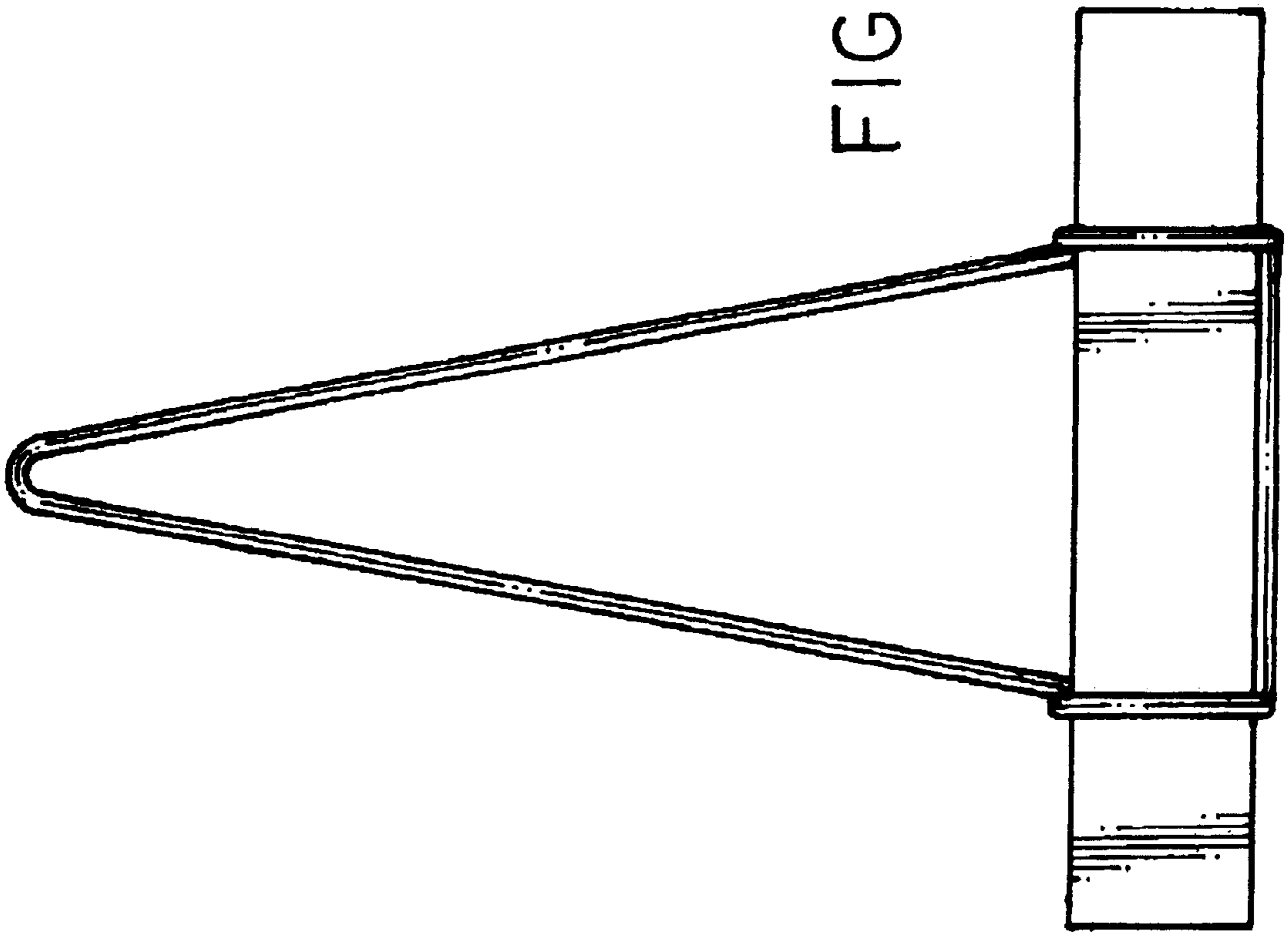


FIG. 2.

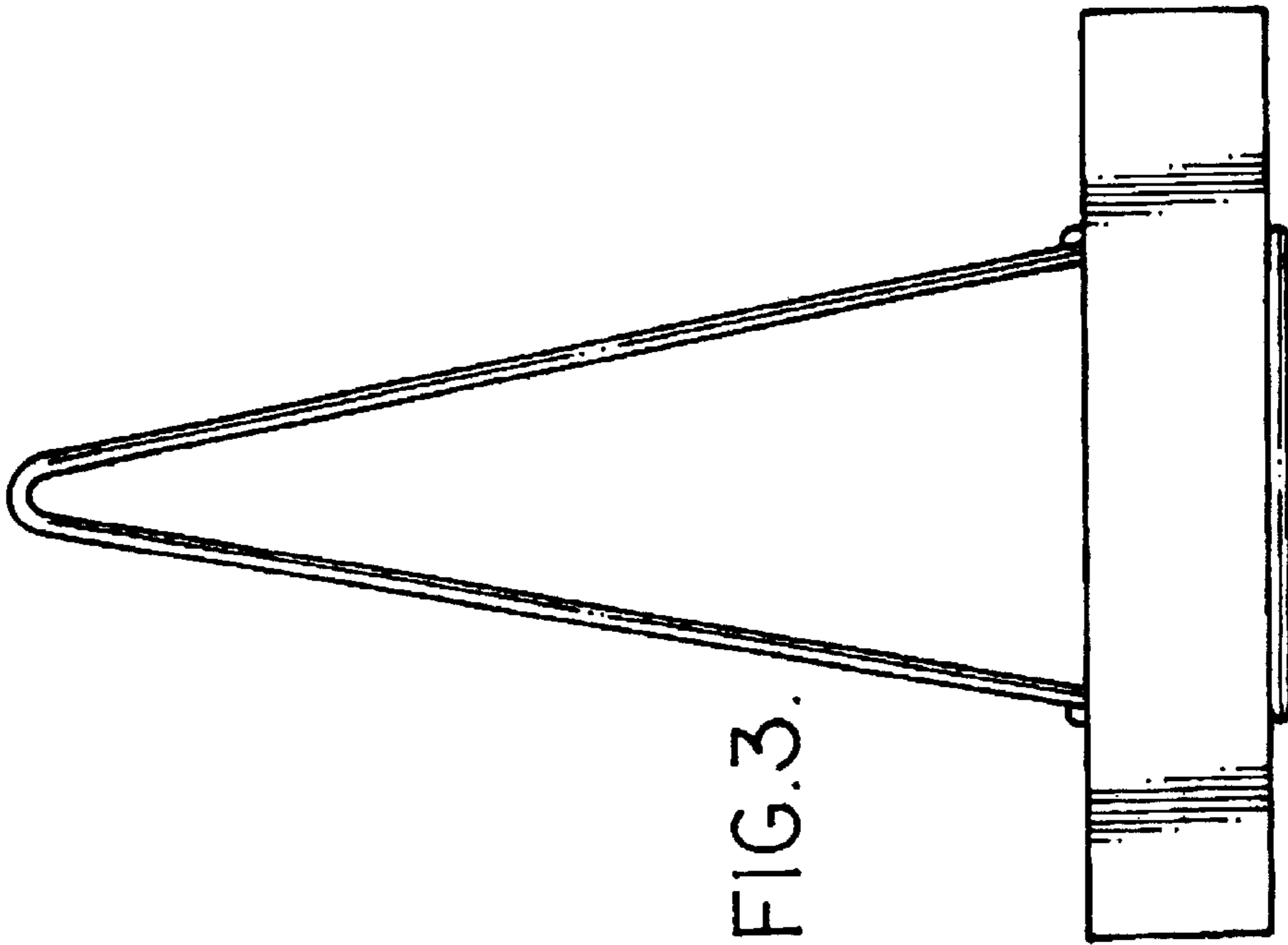


FIG. 3.

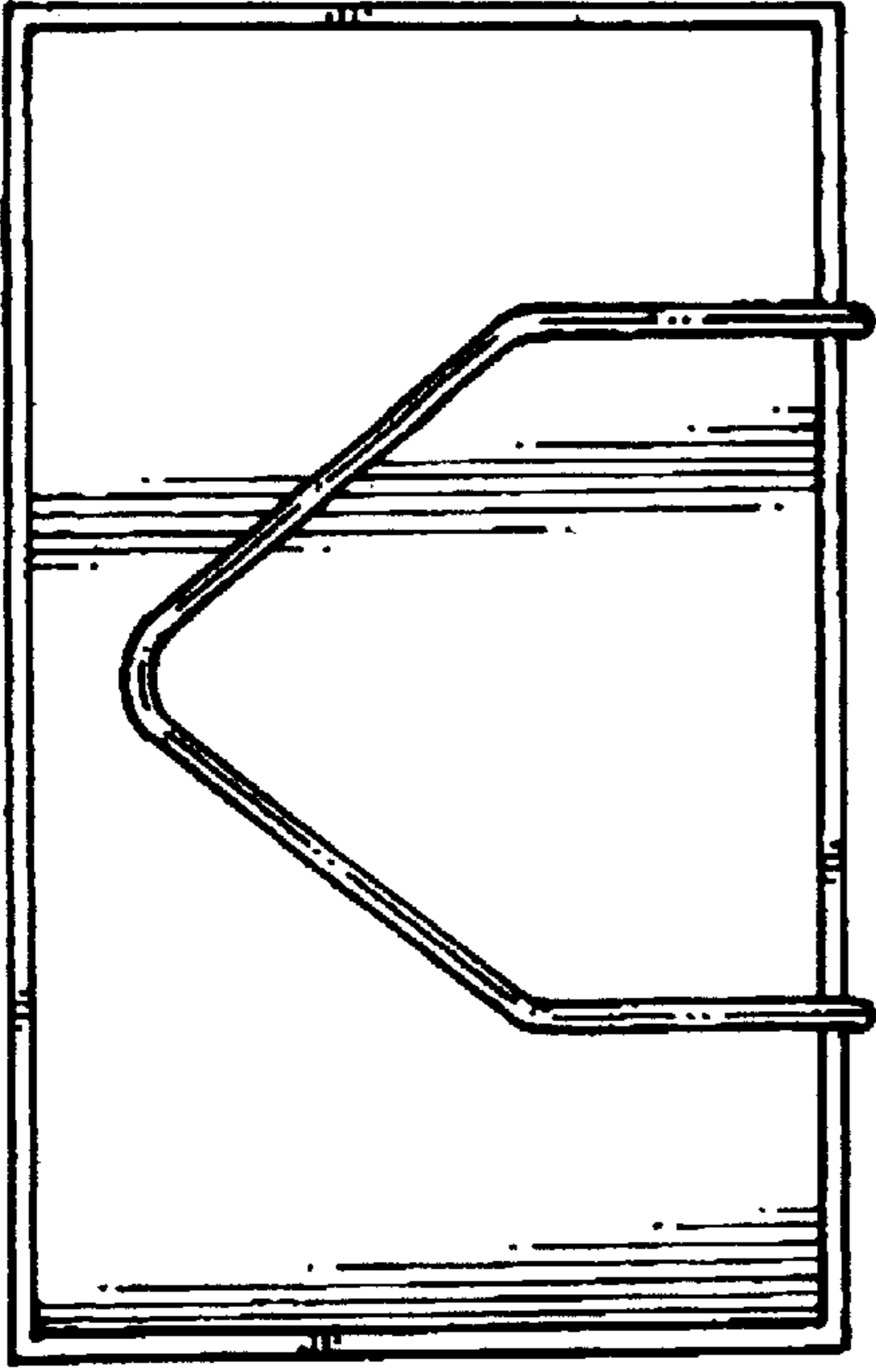


FIG. 5.

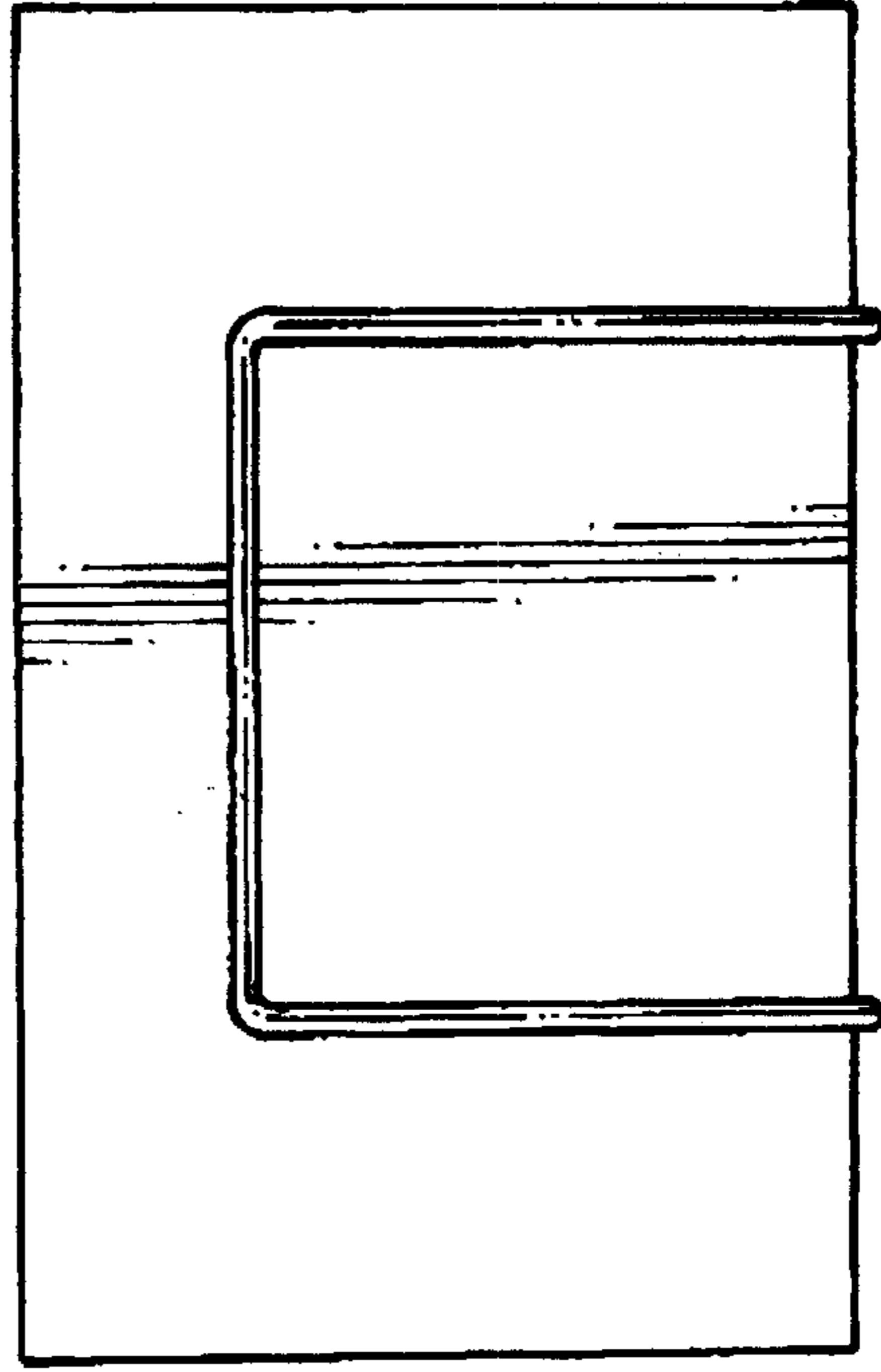


FIG. 6.