



US00D468160S

(12) **United States Design Patent**
Staebler et al.

(10) **Patent No.:** **US D468,160 S**

(45) **Date of Patent:** **** Jan. 7, 2003**

(54) **COOKTOP BURNER CONTROL FOR GLASS CERAMIC COOKTOP PANEL**

(75) Inventors: **Manfred W. Staebler**, New Bern, NC (US); **Thomas L. Tino**, Irvine, CA (US); **Nils Platt**, New Bern, NC (US)

(73) Assignee: **BSH Home Appliances Corporation**, Huntington Beach, CA (US)

(**) Term: **14 Years**

(21) Appl. No.: **29/143,707**

(22) Filed: **Jun. 19, 2001**

(51) **LOC (7) Cl.** **07-02**

(52) **U.S. Cl.** **7/407**

(58) **Field of Search** D7/346, 347, 402, D7/407, 408, 409; 126/39 B, 211, 217, 218, 214 C, 214 R, 215, 216, 152 R; 219/460.1, 506

(56) **References Cited**

U.S. PATENT DOCUMENTS

- 4,511,781 A * 4/1985 Tucker et al. 219/506
- 6,198,080 B1 * 3/2001 Rice et al. 219/506
- 6,263,869 B1 * 7/2001 Abernethy 126/211

OTHER PUBLICATIONS

- Thermador "Create" Catalog, copyright 1999. P. 37 Black Ceramic Cooktop.*
- Thermador "Create" Catalog, copyright 1999. P. 38, Ceramic Sens-A-Touch Radiant Cooktop.*
- GE Appliances Product Guide 1999-2000, published Sep. 1999. Built-In Cooktop, picture, top left.*
- GE Monogram Catalog, rec'd Jan. 2000. P. 21, Black Digital Cooktop.*

* cited by examiner

Primary Examiner—Sandra L. Morris

(74) *Attorney, Agent, or Firm*—Brooks & Kushman P.C.

(57) **CLAIM**

The ornamental design for a cooktop burner control for glass ceramic cooktop panel, as shown and described.

DESCRIPTION

FIG. 1 is perspective view of a cooktop burner control for a glass ceramic cooktop panel showing our ornamental design;

FIG. 2 is a plan view of the cooktop burner control for a glass ceramic cooktop panel shown in FIG. 1;

FIG. 3 is a bottom view showing that the bottom of the cooktop burner control for a glass ceramic cooktop is unadorned;

FIG. 4 is a front view of a cooktop burner control shown in FIGS. 1-2 and is typical of a front view for each of the embodiments of my ornamental design shown in FIGS. 8-12;

FIG. 5 is a rear view of a cooktop burner control shown in FIGS. 1-4 and is typical of a rear view for each of the embodiments of my ornamental design shown in FIGS. 8-12.

FIG. 6 is a left side view of a cooktop burner control shown in FIG. 1 that is typical of the left side view of each of the embodiments of my ornamental design shown in FIGS. 8-12;

FIG. 7 is a right side view of a cooktop burner control shown in FIGS. 1-3 and is typical of the right side view for each of the embodiments of my ornamental design shown in FIGS. 8-12;

FIG. 8 is an enlarged partial top plan view of a second embodiment;

FIG. 9 is an enlarged partial top plan view of a third embodiment;

FIG. 10 is an enlarged partial top plan view of a fourth embodiment;

FIG. 11 is an enlarged partial top plan view of a fifth embodiment;

FIG. 12 is an enlarged partial top plan view of a sixth embodiment, showing of second operating mode of the design;

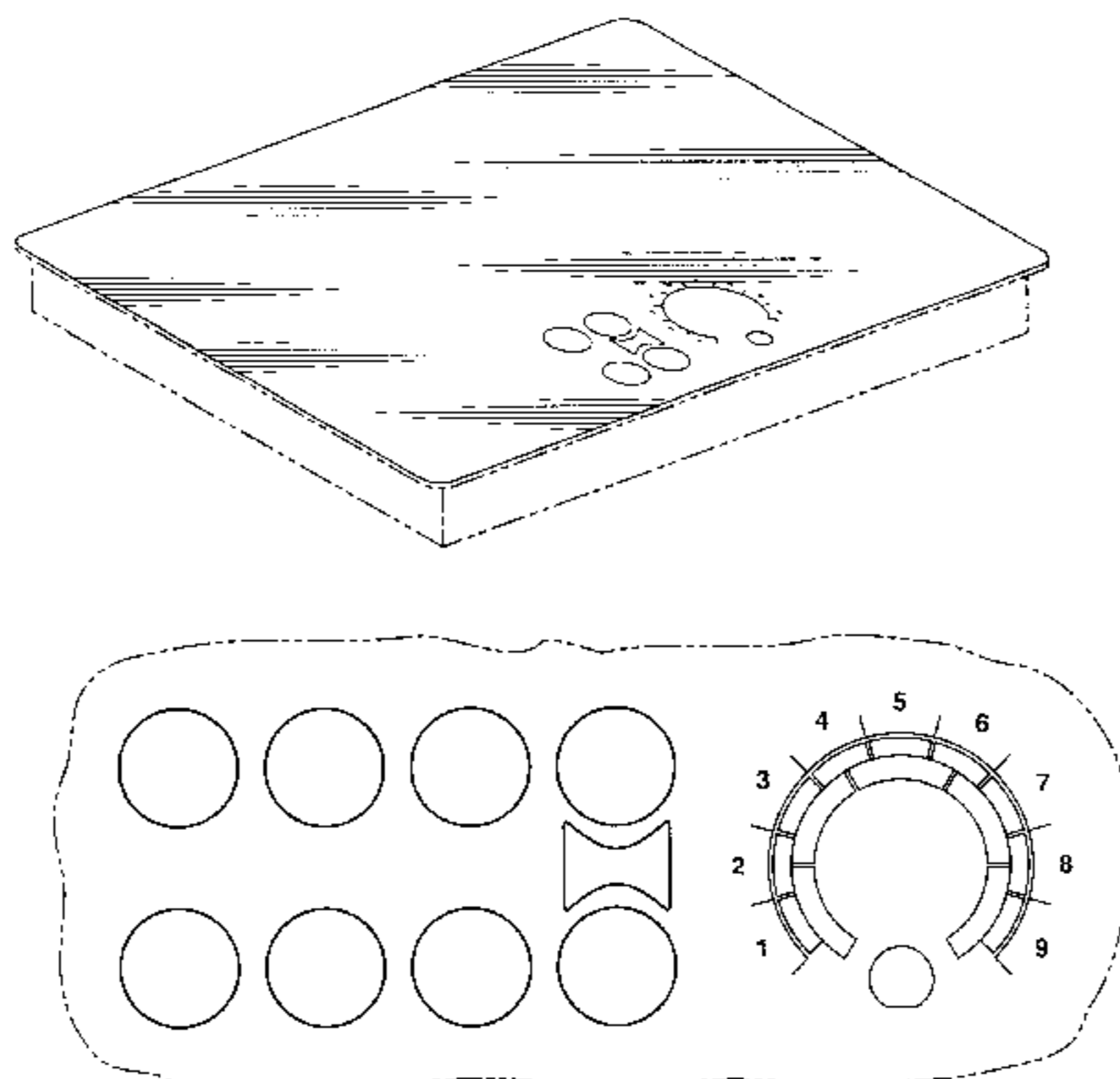
FIG. 13 is an enlarged partial top plan view of a seventh embodiment;

FIG. 14 is an enlarged partial top plan view of a eighth embodiment; and,

FIG. 15 is an enlarged partial top plan view of a ninth embodiment.

The broken line showing is for illustrative purposes only, and forms no part of the claimed design.

1 Claim, 5 Drawing Sheets



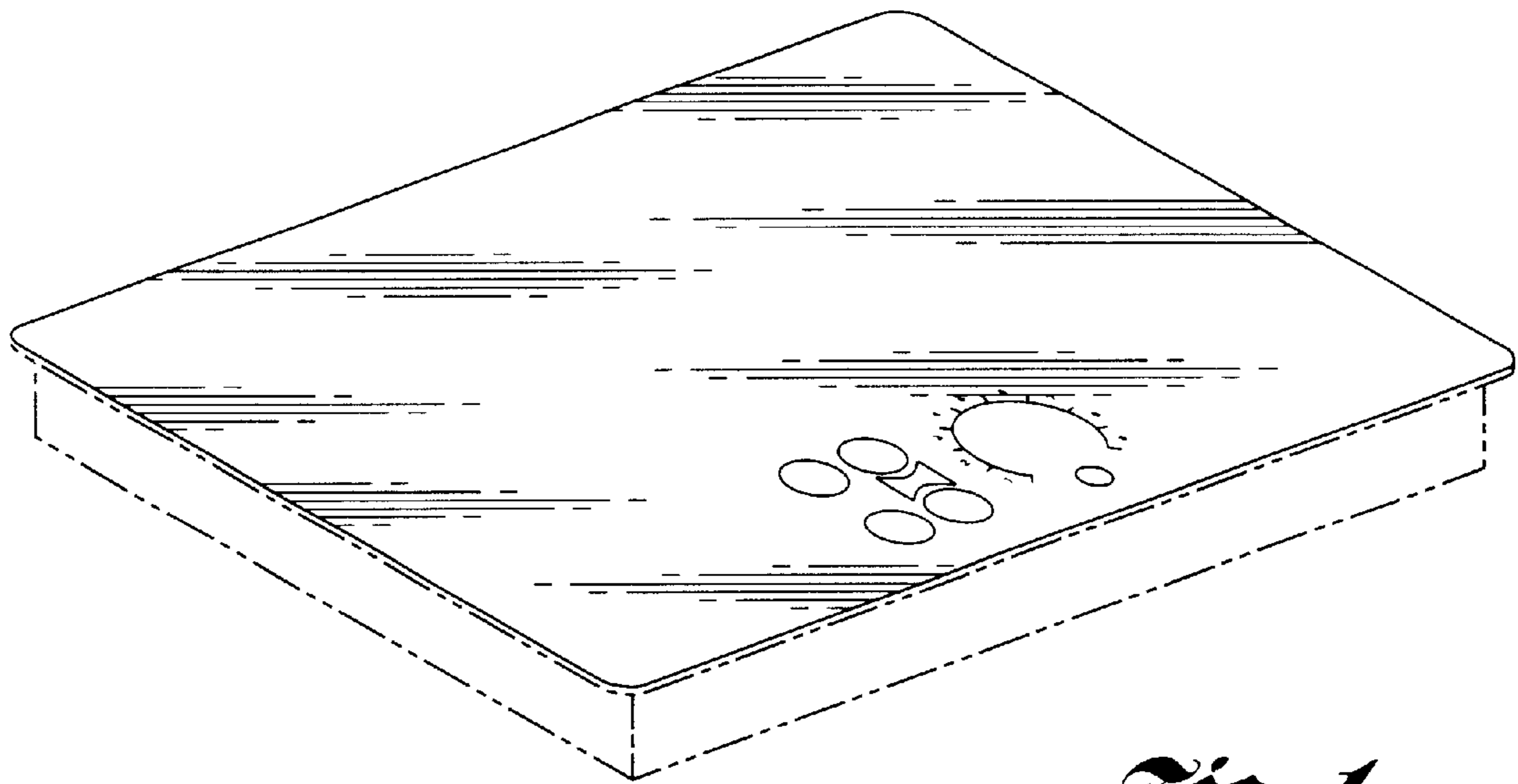


Fig. 1

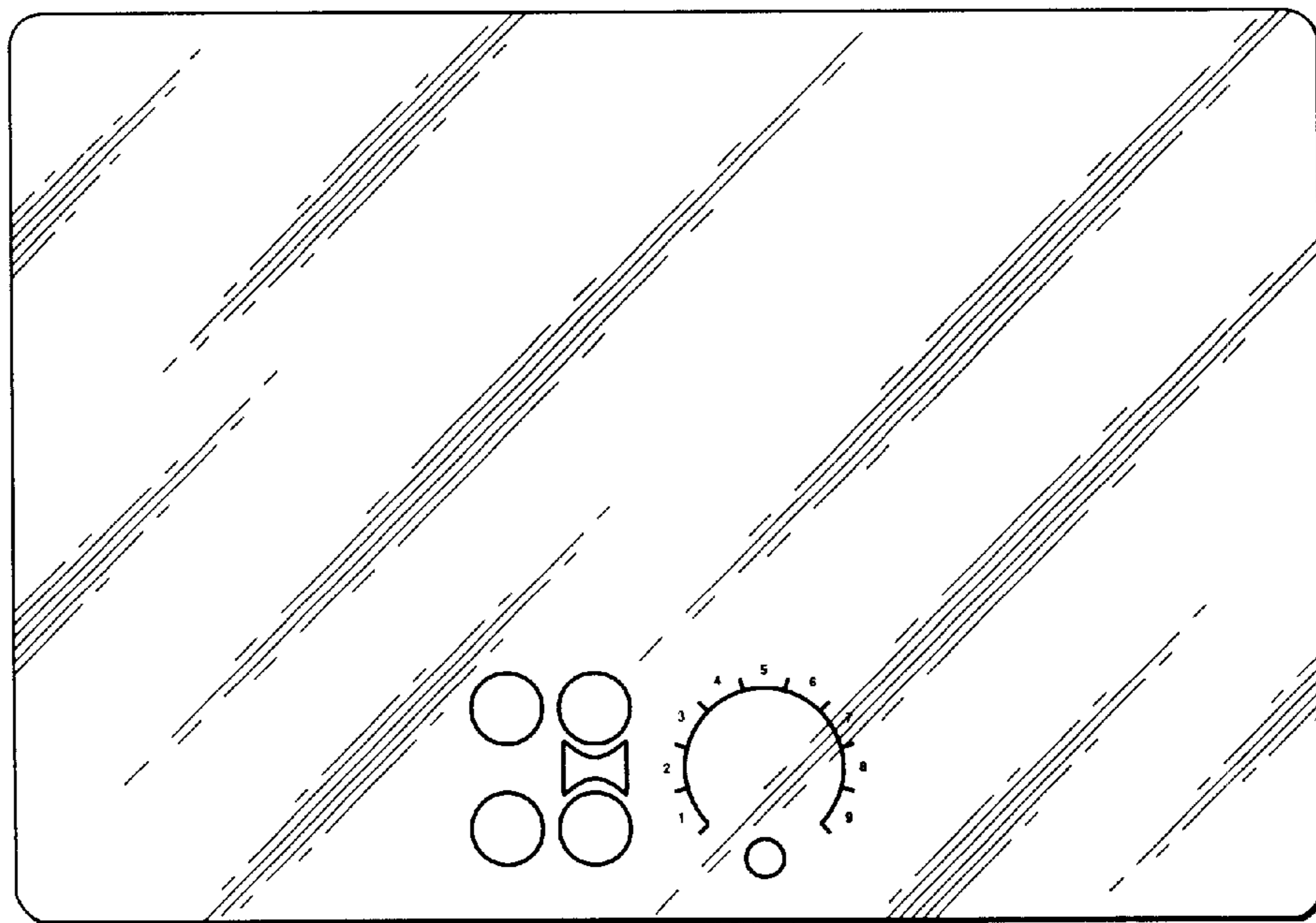


Fig. 2



Fig. 3

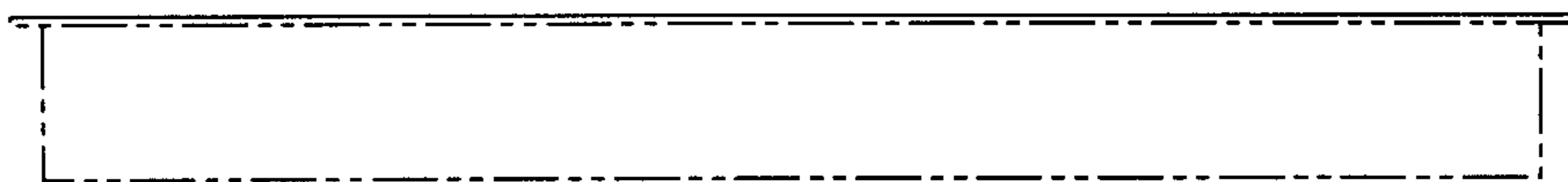


Fig. 4

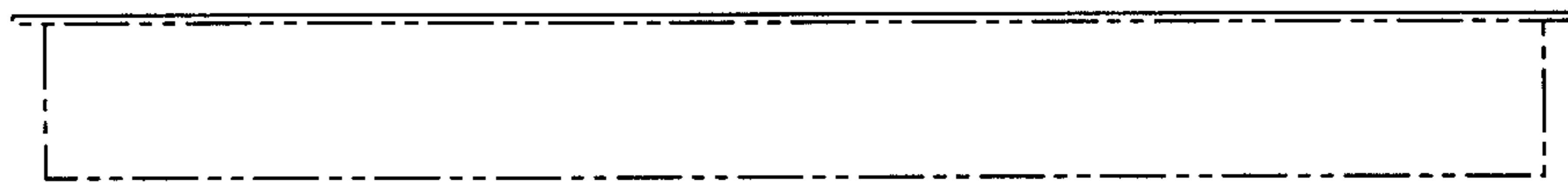


Fig. 5



Fig. 6

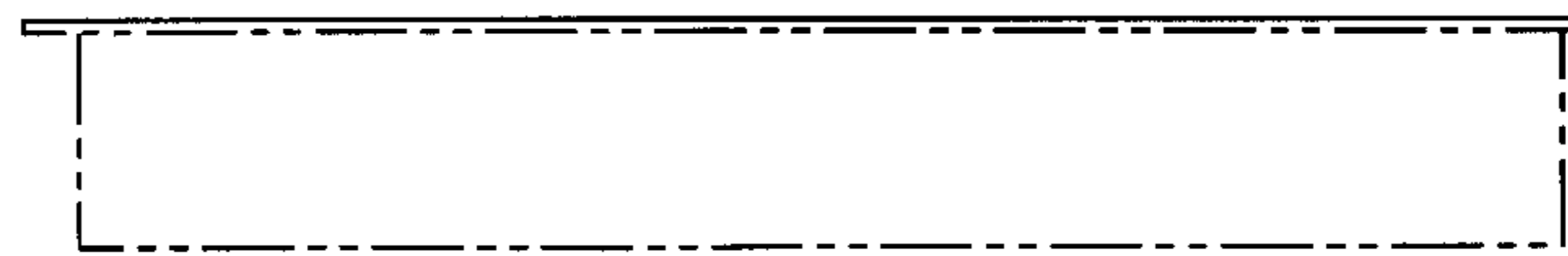


Fig. 7

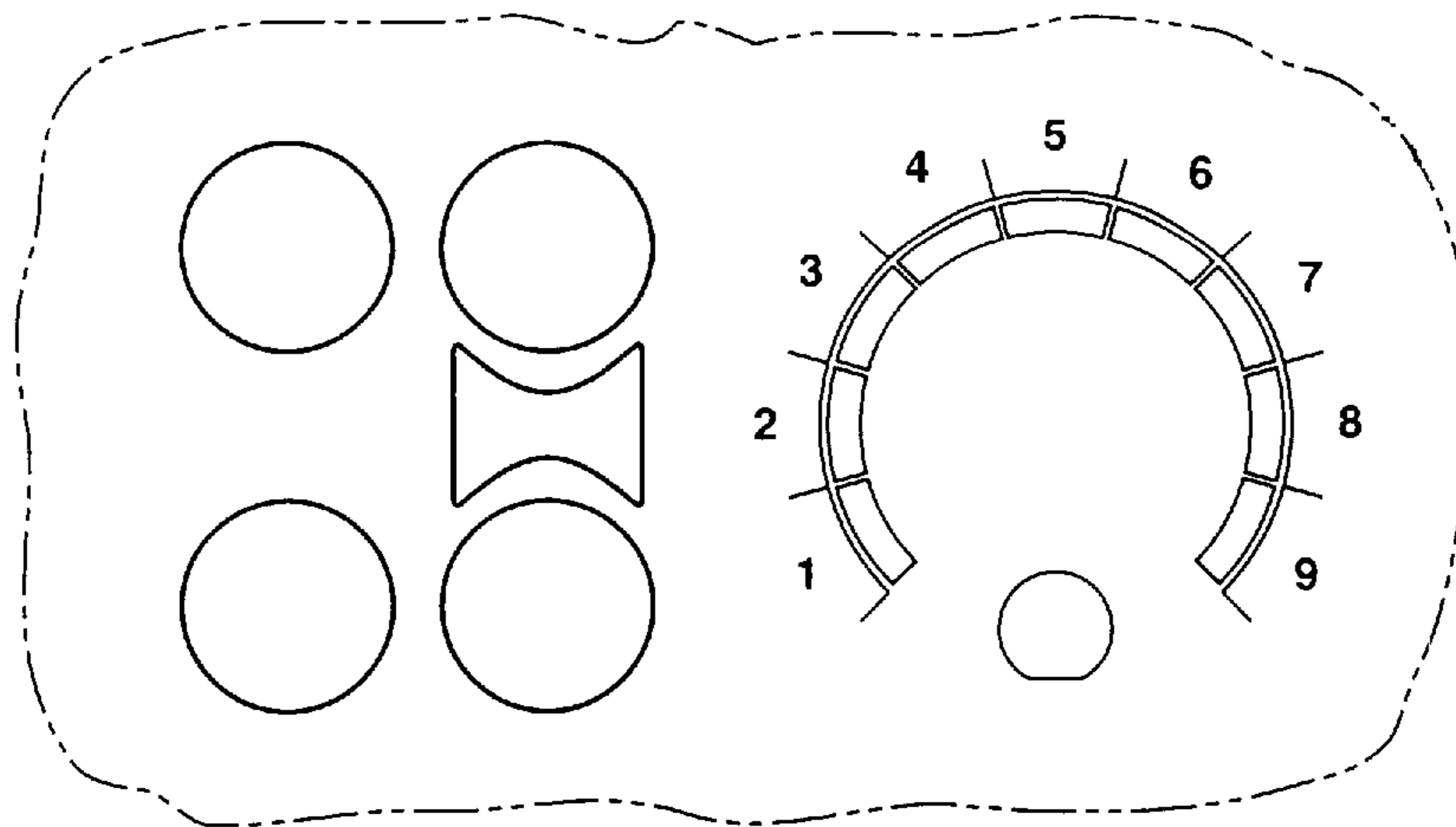


Fig. 8

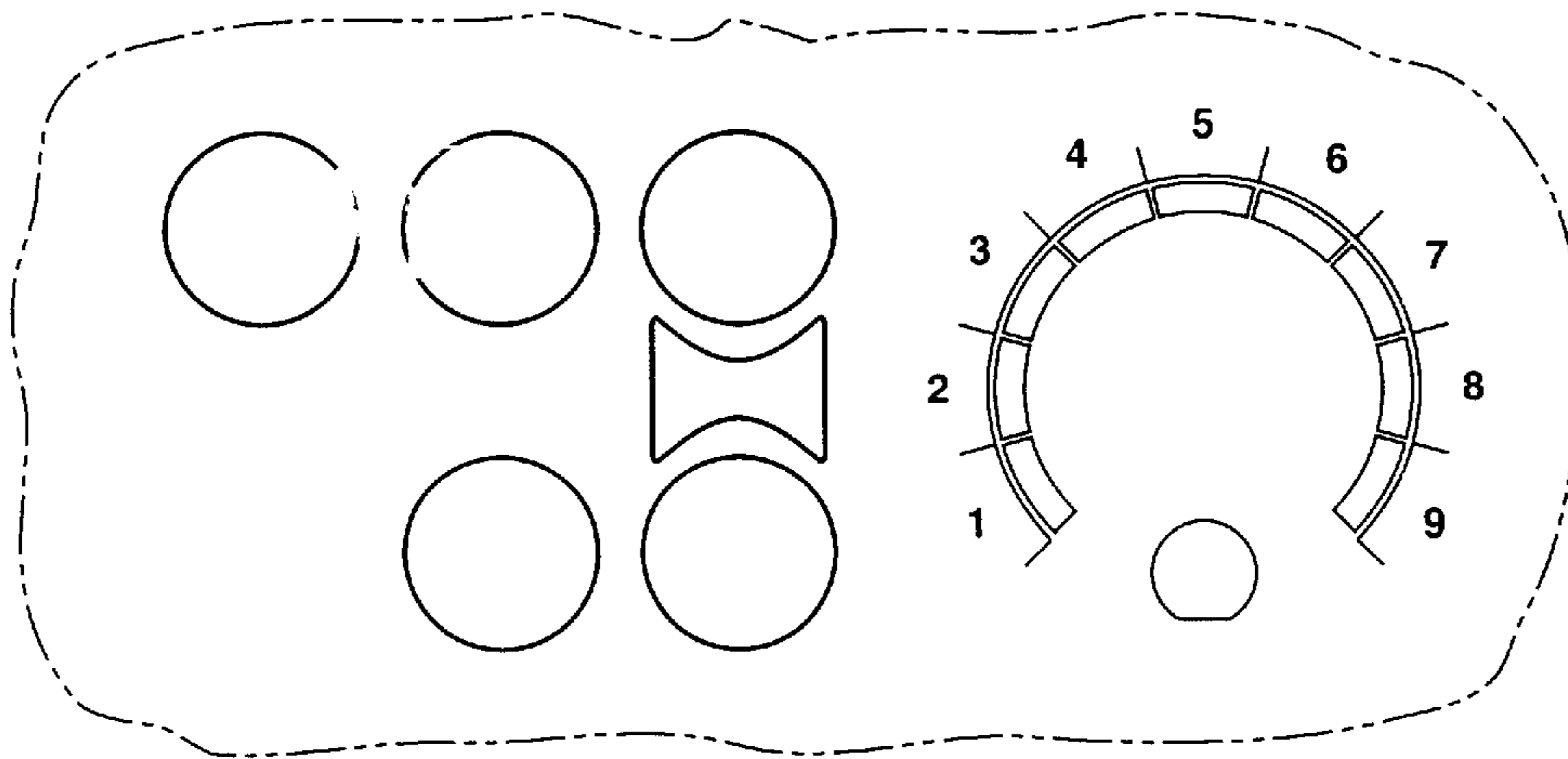


Fig. 9

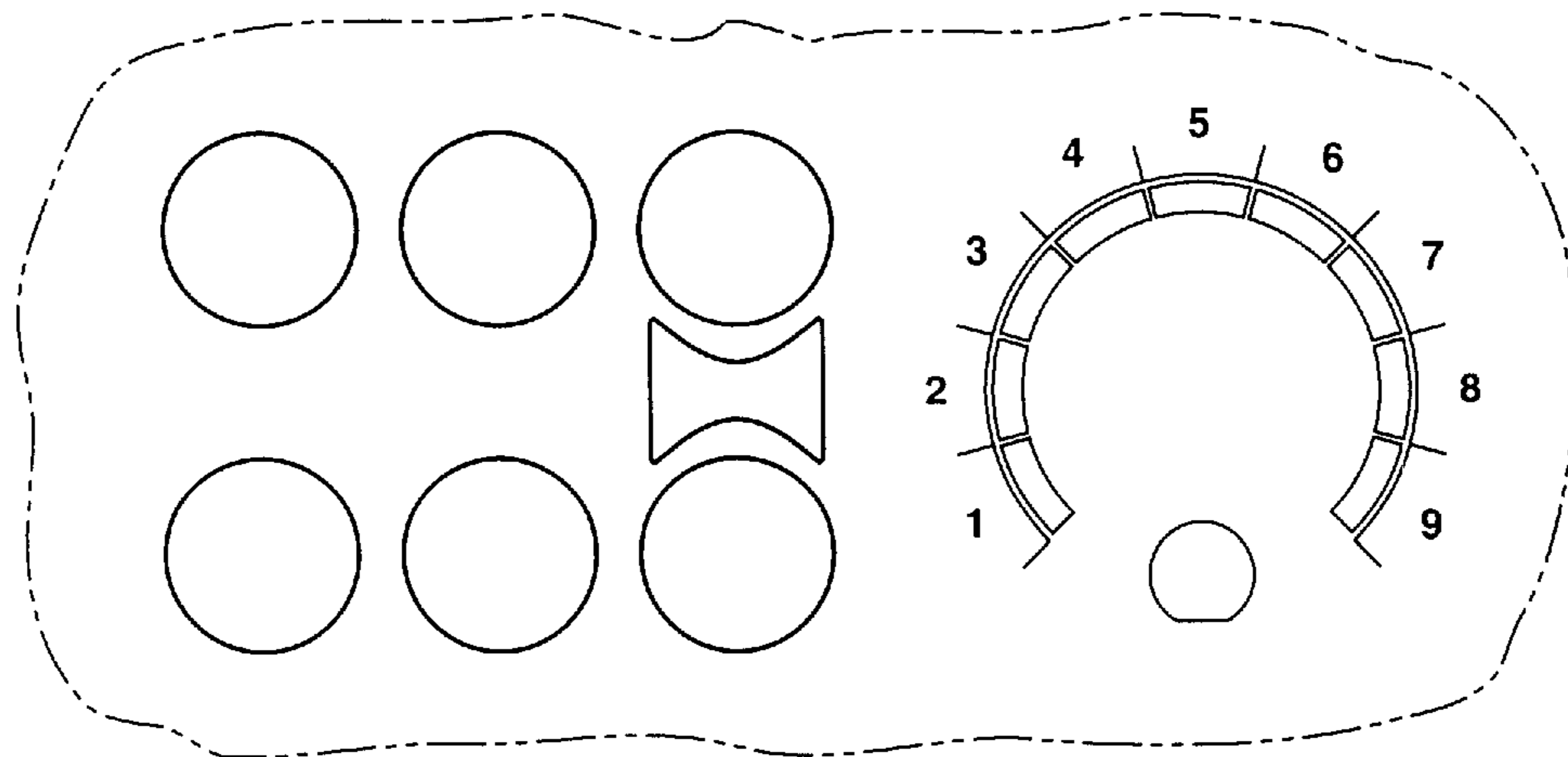


Fig. 10

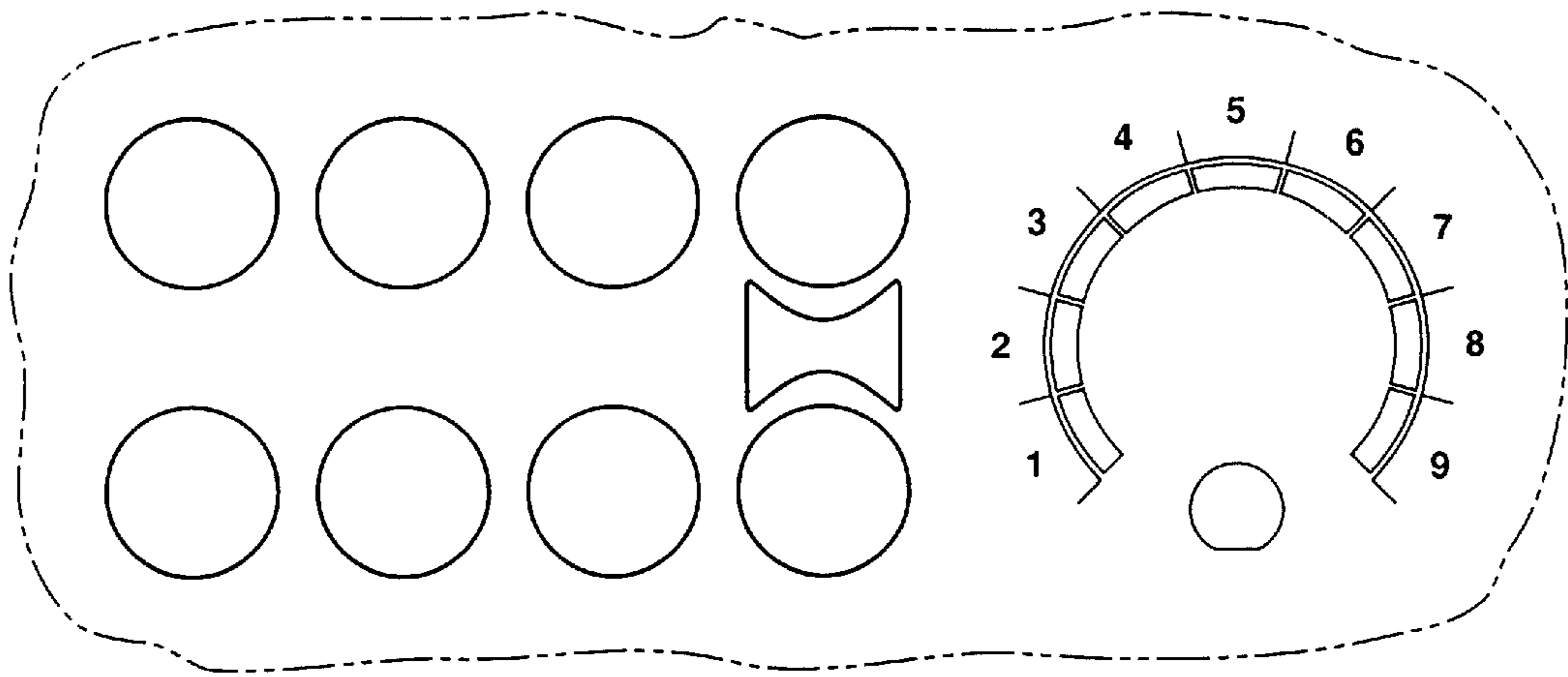


Fig. 11

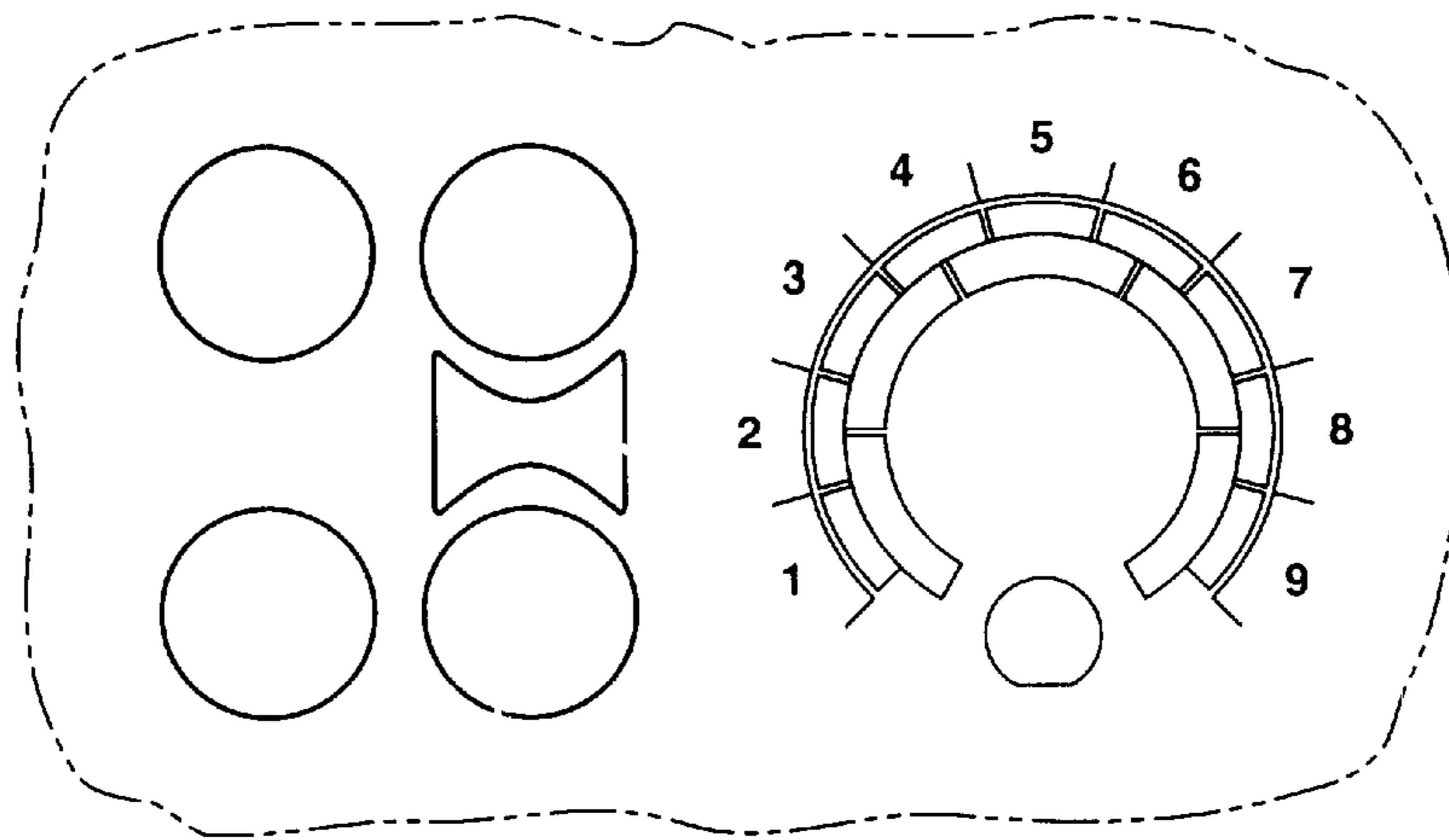


Fig. 12

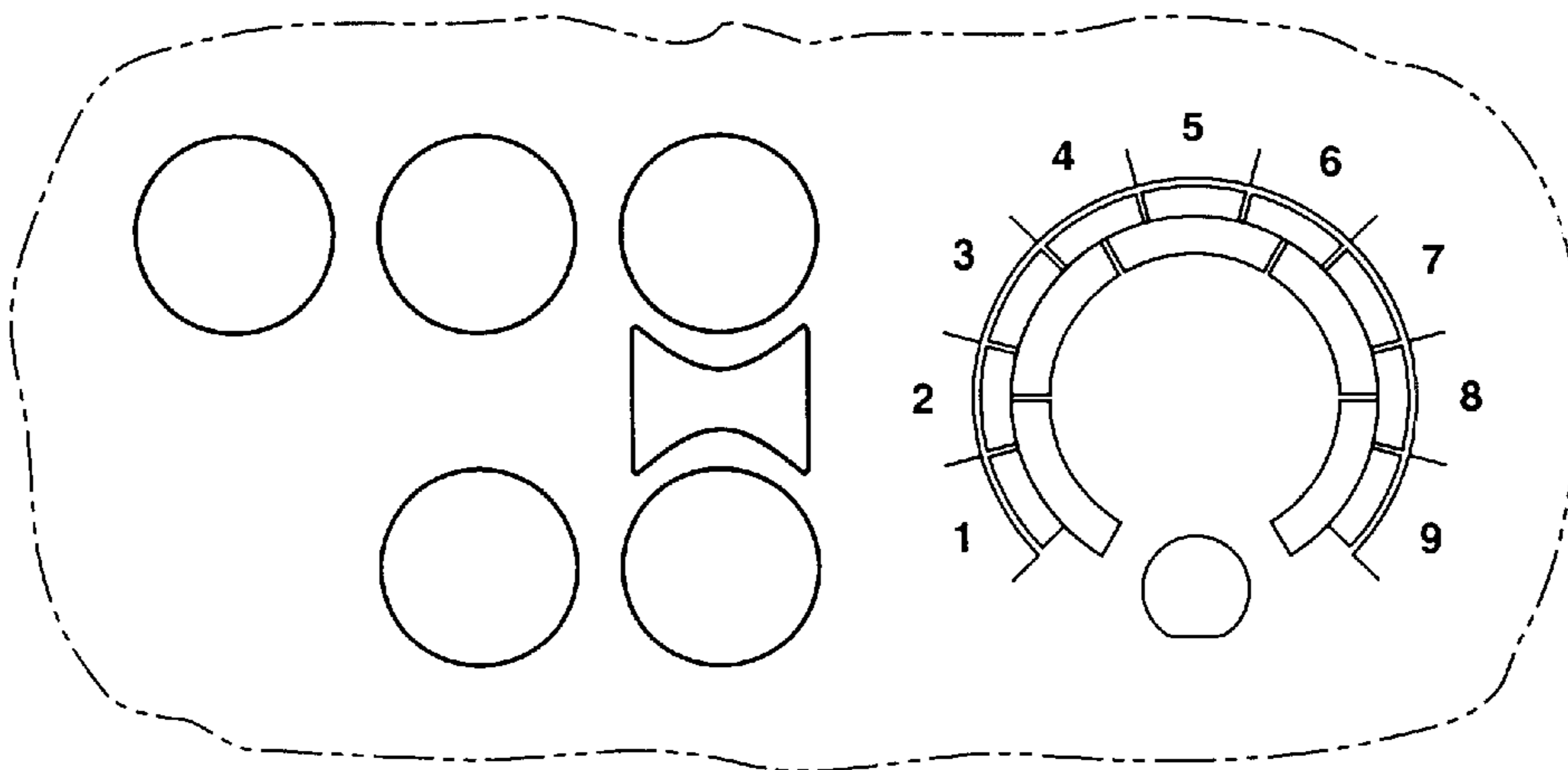


Fig. 13

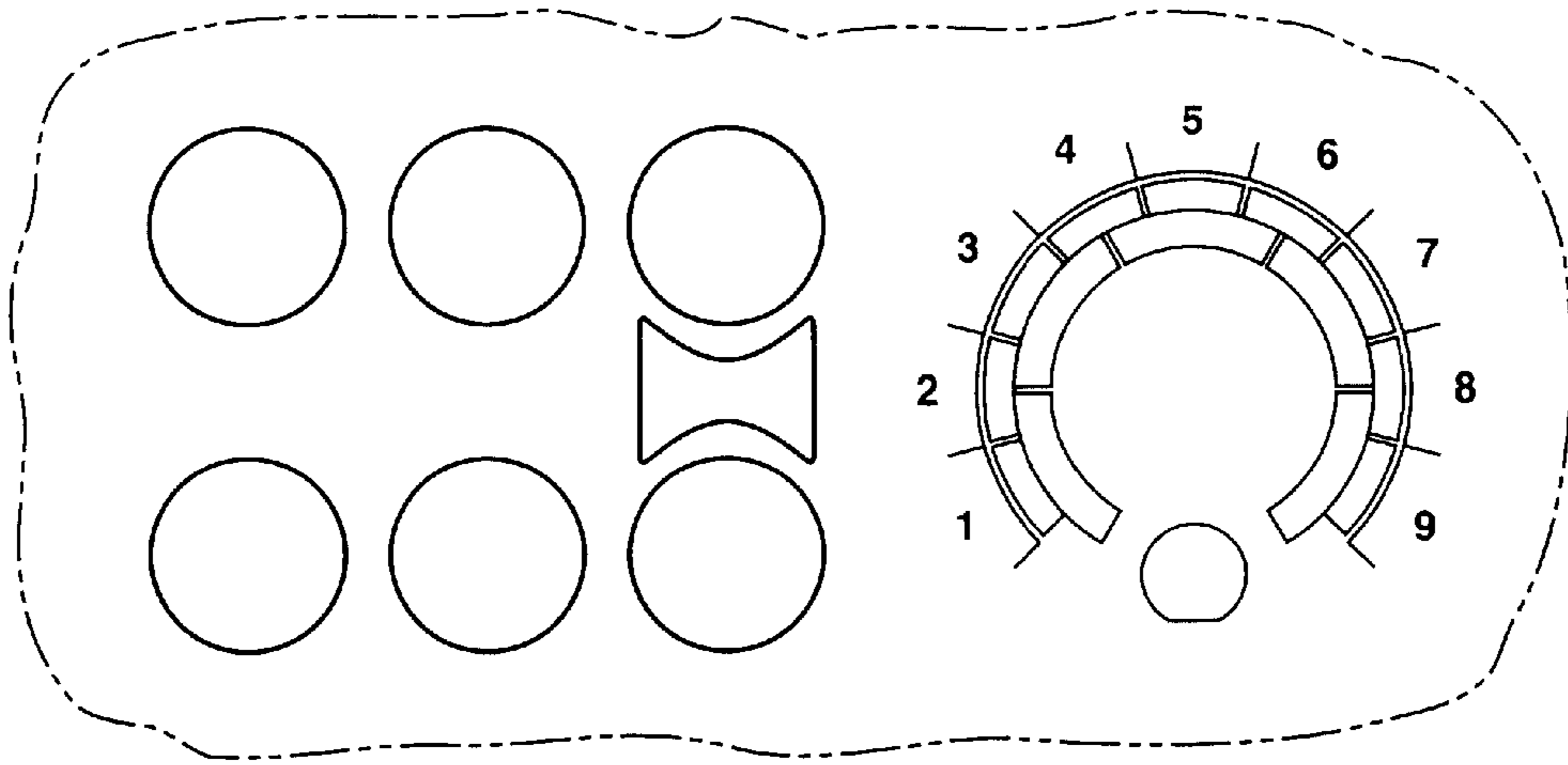


Fig. 14

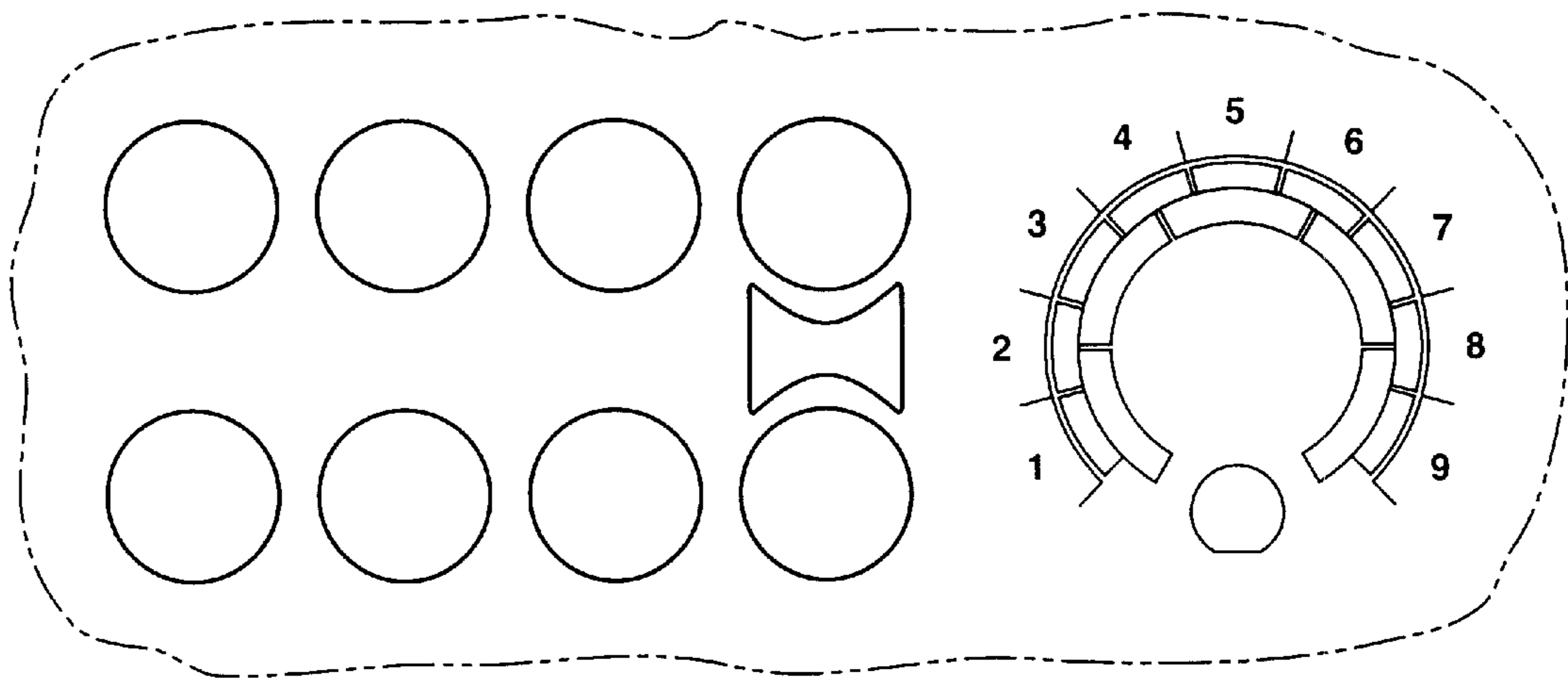


Fig. 15