



US00D468159S

(12) **United States Design Patent**
Becker et al.

(10) **Patent No.:** **US D468,159 S**

(45) **Date of Patent:** **** Jan. 7, 2003**

(54) **OVEN VENT COVER FOR A COOKING APPLIANCE**

D343,090 S * 1/1994 Connell D7/339
D396,989 S * 8/1998 Deo et al. D7/346
D427,486 S 7/2000 Bales et al. D7/408

(75) Inventors: **Theodore A. Becker**, Cleveland, TN (US); **Charles Looney**, Athens, TN (US); **Inho Andy Shin**, Cleveland, TN (US); **Jeffrey Ware**, Chattanooga, TN (US)

* cited by examiner

Primary Examiner—Catherine R. Oliver
(74) *Attorney, Agent, or Firm*—Diederiks & Whitelaw, PLC

(73) Assignee: **Maytag Corporation**, Newton, IA (US)

(57) **CLAIM**

(**) Term: **14 Years**

The ornamental design for an oven vent cover for a cooking appliance, as shown and described.

(21) Appl. No.: **29/155,558**

DESCRIPTION

(22) Filed: **Feb. 14, 2002**

(51) **LOC (7) Cl.** **07-02**

(52) **U.S. Cl.** **D7/402**

(58) **Field of Search** D7/402–409, 346, D7/340, 339, 347; D23/335, 381; 126/21 A, 300, 39 J

FIG. 1 is a top right perspective view of our new oven vent cover design for a cooking appliance;
FIG. 2 is an enlarged, upper right perspective view of the oven vent cover of FIG. 1 positioned upon a cooktop of a cooking appliance;
FIG. 3 is a front elevational view of the oven vent cover of FIGS. 1 and 2;
FIG. 4 is a top plan view of the oven vent cover of the invention;
FIG. 5 is a rear elevational view of the oven vent cover of the invention; and,
FIG. 6 is a right side elevational view of the oven vent cover of the invention, with the left side elevational view being a mirror image thereof.

(56) **References Cited**

U.S. PATENT DOCUMENTS

2,257,399 A	9/1941	Parker	126/39 J
3,627,986 A	12/1971	Anderson	126/39 J
3,633,562 A	1/1972	Morse et al.	126/39 J
3,832,988 A	9/1974	Doner	126/39 J
4,083,355 A	4/1978	Schwank	126/39 J
4,089,319 A	* 5/1978	Tamada et al.	126/21 A
4,413,611 A	* 11/1983	Berlik et al.	126/39 E
D276,492 S	* 11/1984	Sasaki	D7/346
D303,604 S	* 9/1989	Beach et al.	D7/346
5,139,007 A	8/1992	Martinez	126/39 J

The broken lines showing the overall cabinet, cooktop, control knobs, front control panel, and front door/handle assembly are for illustrative purposes only and form no part of the claimed invention.

1 Claim, 3 Drawing Sheets

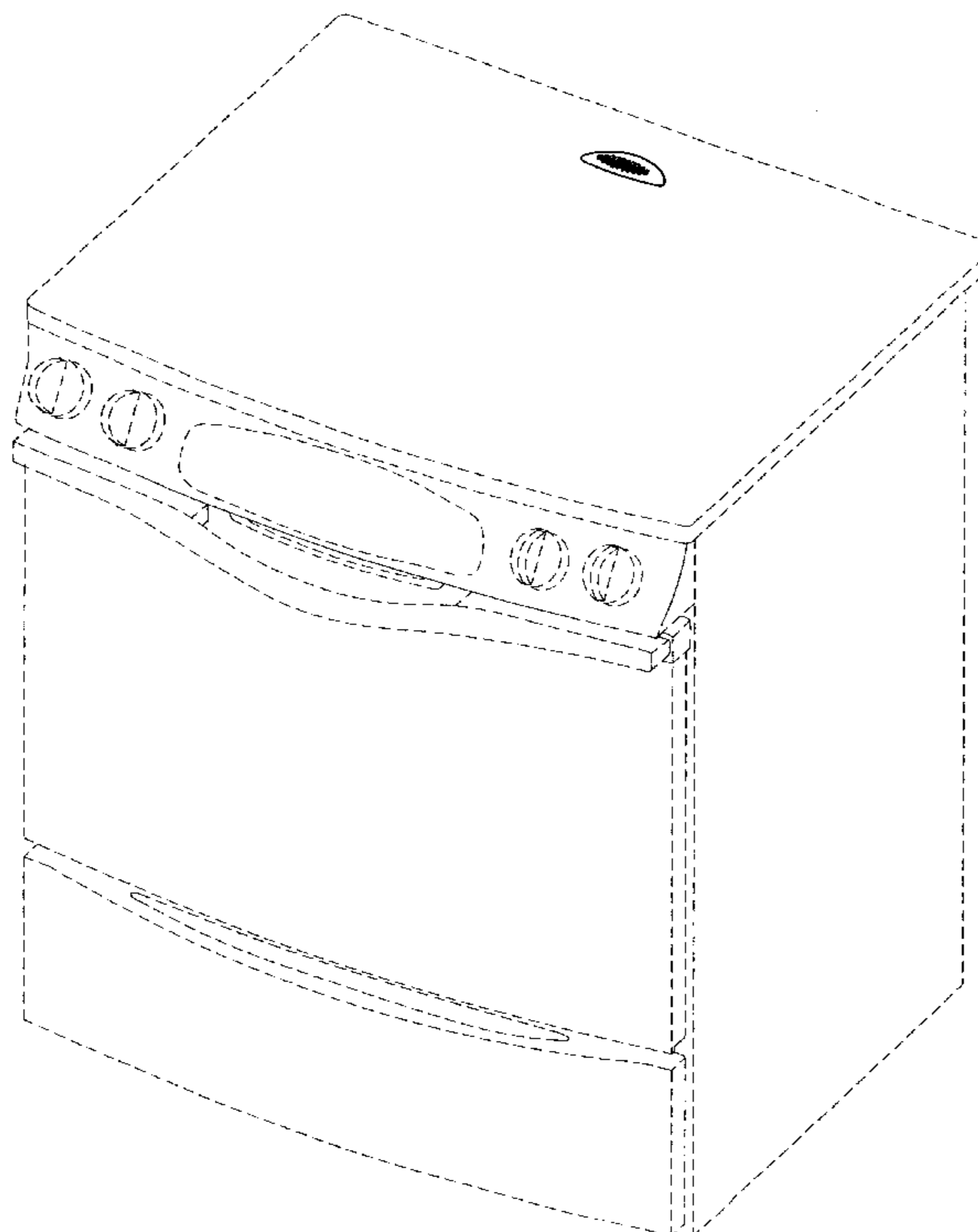


FIG. 1

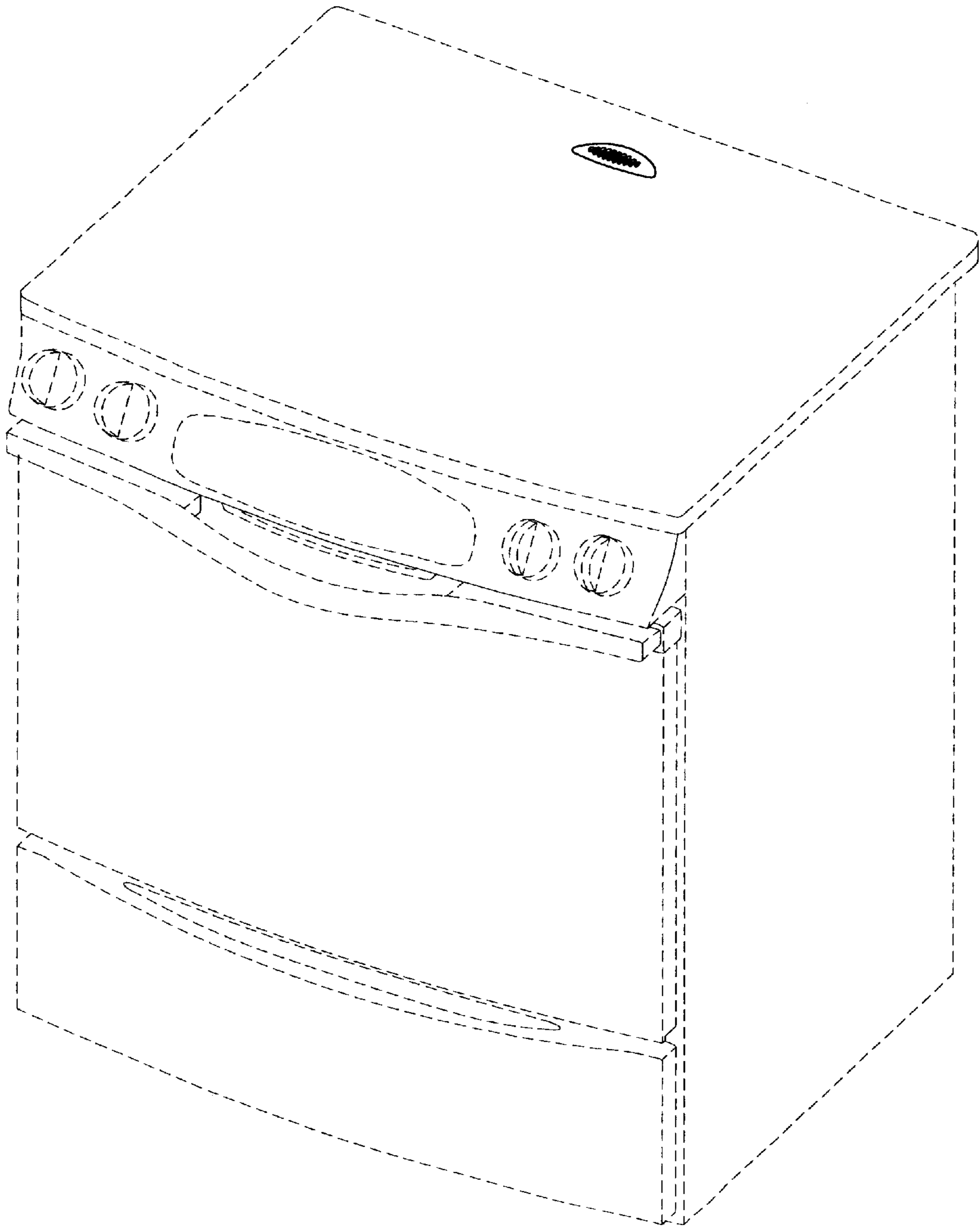


FIG. 2

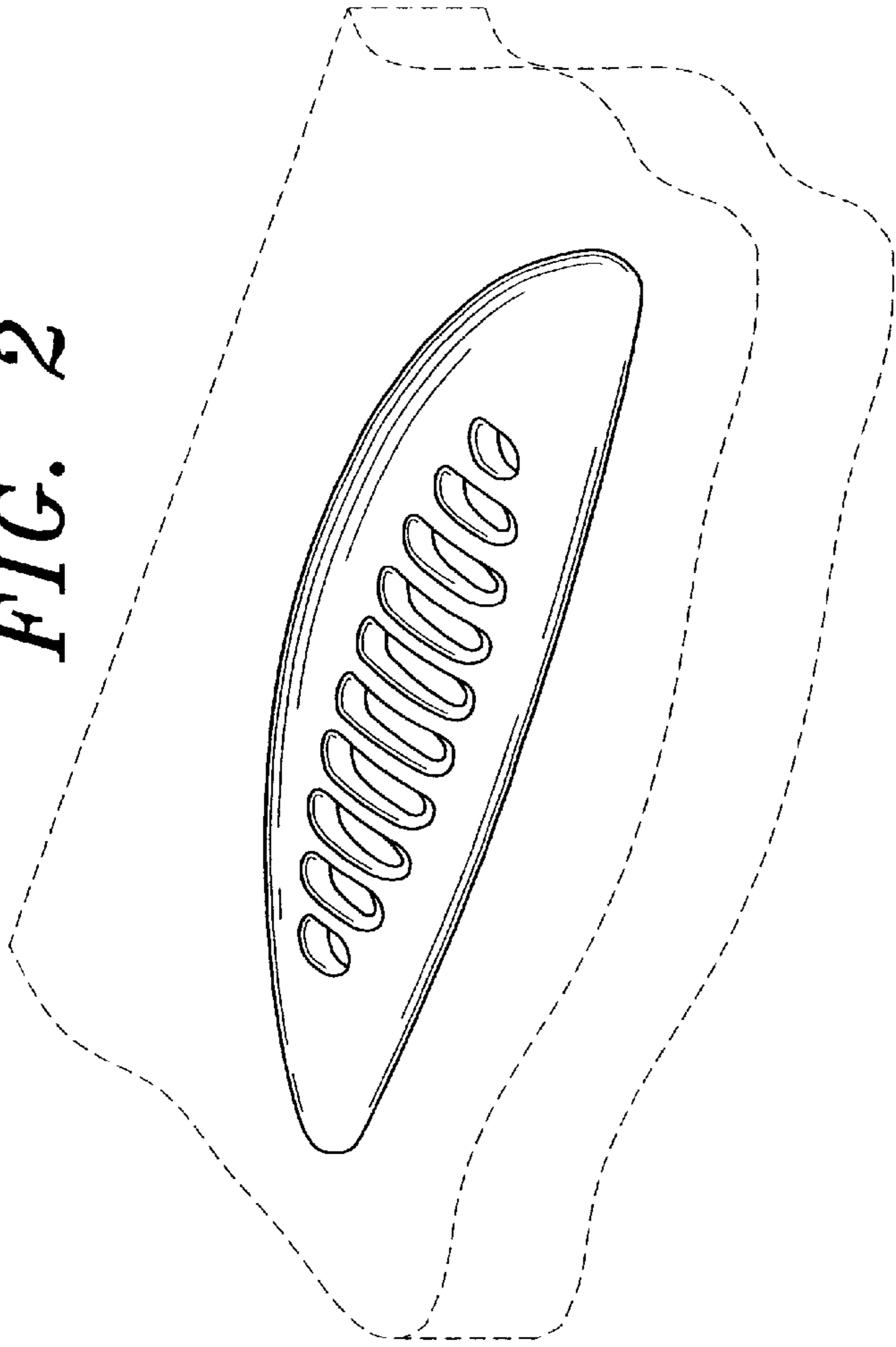


FIG. 3

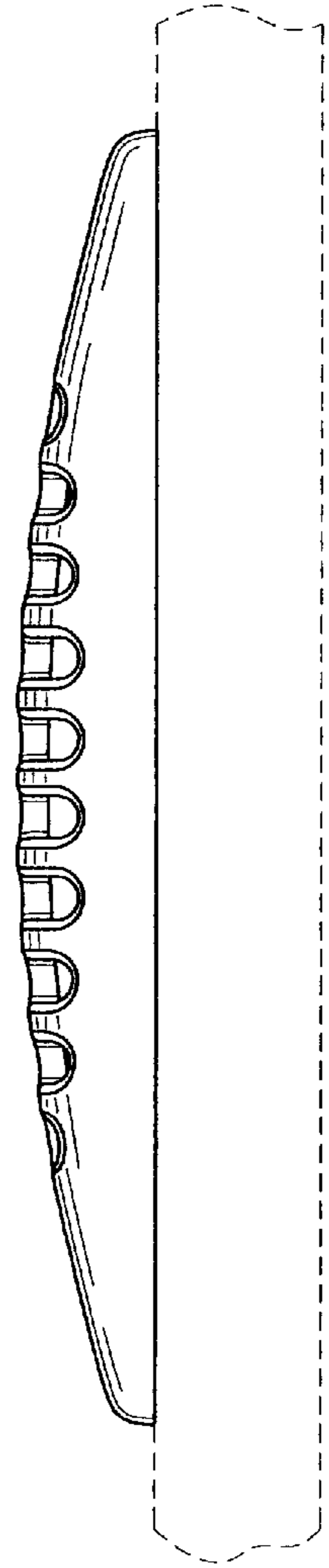


FIG. 4

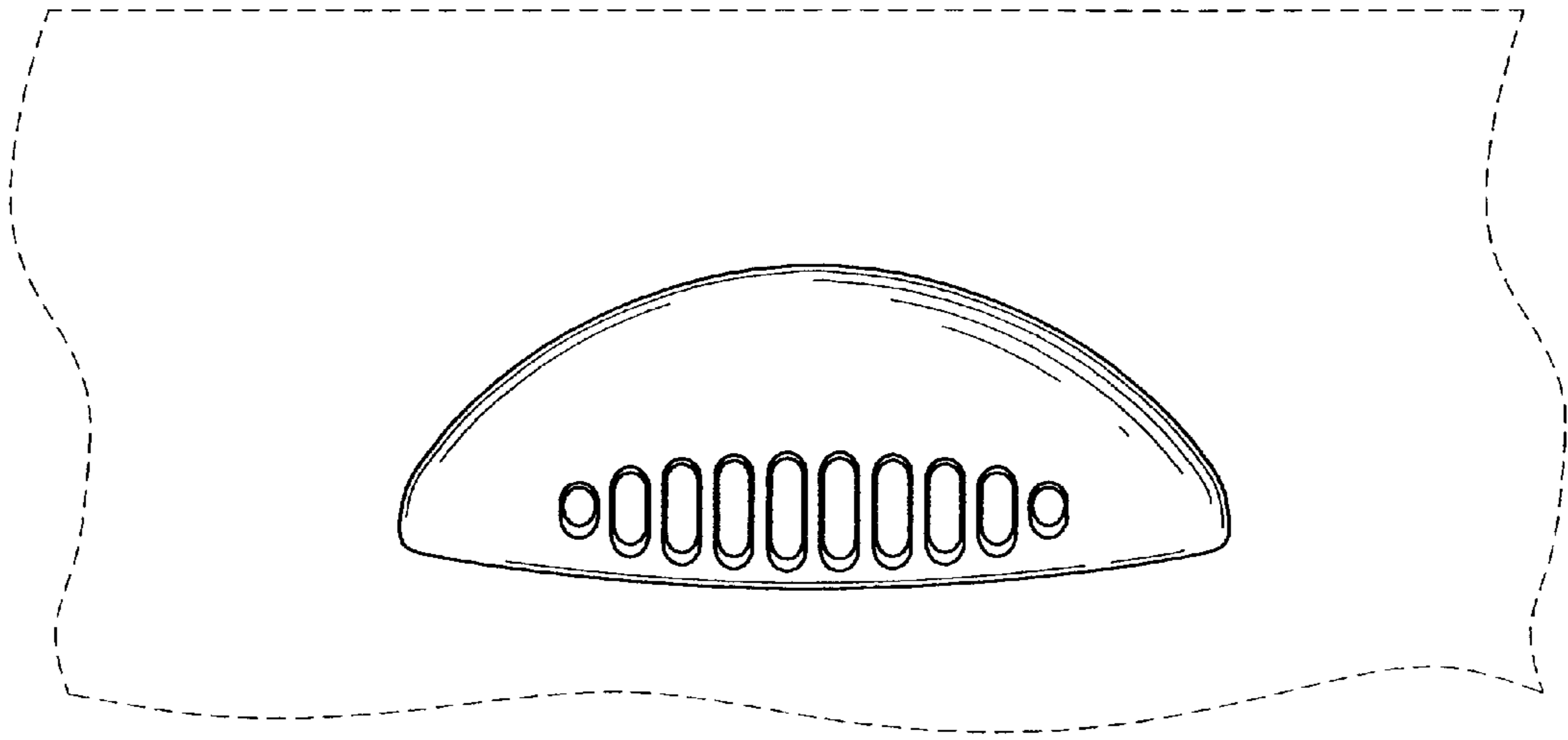


FIG. 5

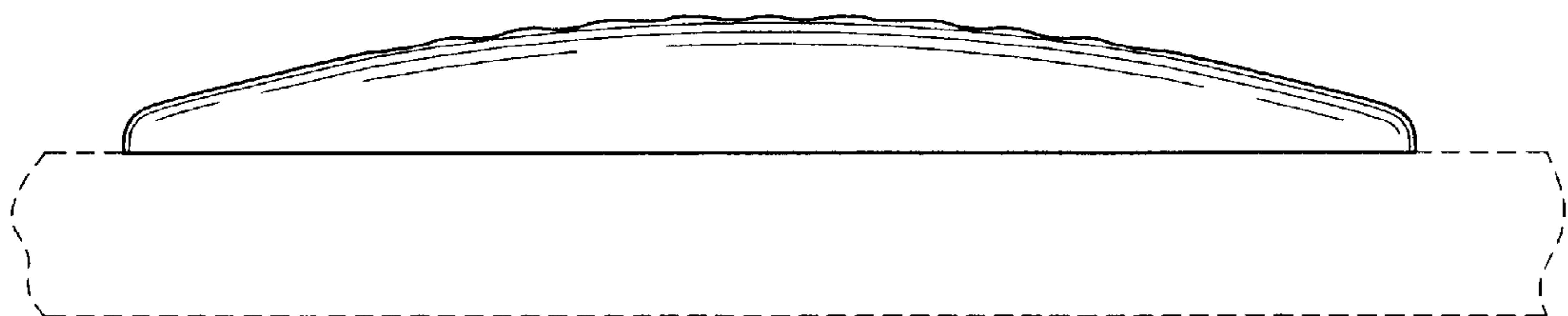


FIG. 6

