



US00D468158S

(12) **United States Design Patent**  
**Eisinger et al.**

(10) **Patent No.:** **US D468,158 S**

(45) **Date of Patent:** **\*\* Jan. 7, 2003**

(54) **NON-ROUND GRILL HEAD FOR CHARCOAL GRILL**

(75) Inventors: **John E. Eisinger**, Chicago, IL (US);  
**Mike Nipke**, Grandville, MI (US)

(73) Assignee: **Marshall Associates Inc.**, Chicago, IL (US)

(\*\*) Term: **14 Years**

(21) Appl. No.: **29/143,576**

(22) Filed: **Jun. 15, 2001**

(51) **LOC (7) Cl.** ..... **07-02**

(52) **U.S. Cl.** ..... **D7/402**

(58) **Field of Search** ..... D7/332, 334-337,  
D7/402-404; 126/25 R, 25 A, 25 AA, 9 R,  
9 B, 29-30, 41 R; 99/421 R, 444

(56) **References Cited**

**U.S. PATENT DOCUMENTS**

D188,879 S	*	9/1960	Gauss et al.	.....	D7/334
D231,070 S	*	4/1974	Koziol	.....	D7/332
D231,892 S	*	6/1974	Warshauer	.....	D7/365
D252,248 S	*	7/1979	Huff	.....	D7/334
D270,988 S	*	10/1983	Anderson	.....	D7/337
4,463,746 A		8/1984	Knuth et al.	.....	126/25 R
D282,619 S	*	2/1986	Fitzgerald et al.	.....	D7/332
4,683,866 A		8/1987	Bales et al.	.....	126/25 B
D302,641 S	*	8/1989	Elmburg	.....	D7/332
4,966,126 A		10/1990	Wu	.....	126/25 R
5,036,832 A		8/1991	Schlosser et al.	.....	126/243
5,299,553 A		4/1994	Giebel et al.	.....	126/25 R
5,394,590 A	*	3/1995	Yu	.....	16/357
5,794,608 A		8/1998	Von Berg	.....	126/25 R
5,865,099 A		2/1999	Waugh	.....	99/340
D414,980 S	*	10/1999	Pai	.....	D7/337

D415,649 S	*	10/1999	Pai	.....	D7/337
D415,925 S	*	11/1999	Pai	.....	D7/337
D430,717 S		9/2000	Alden et al.	.....	D34/20
6,155,248 A		12/2000	Schlosser et al.	.....	126/242

**OTHER PUBLICATIONS**

Meco Owner's Manual, "Meco Swinger Grill".\*  
Merchandising, vol. 6, Jan. 1981, p. 113. "Structo Barbecue Grill". Center of page.\*

\* cited by examiner

*Primary Examiner*—Ruth McInroy

(74) *Attorney, Agent, or Firm*—McAndrews, Held & Malloy, Ltd.

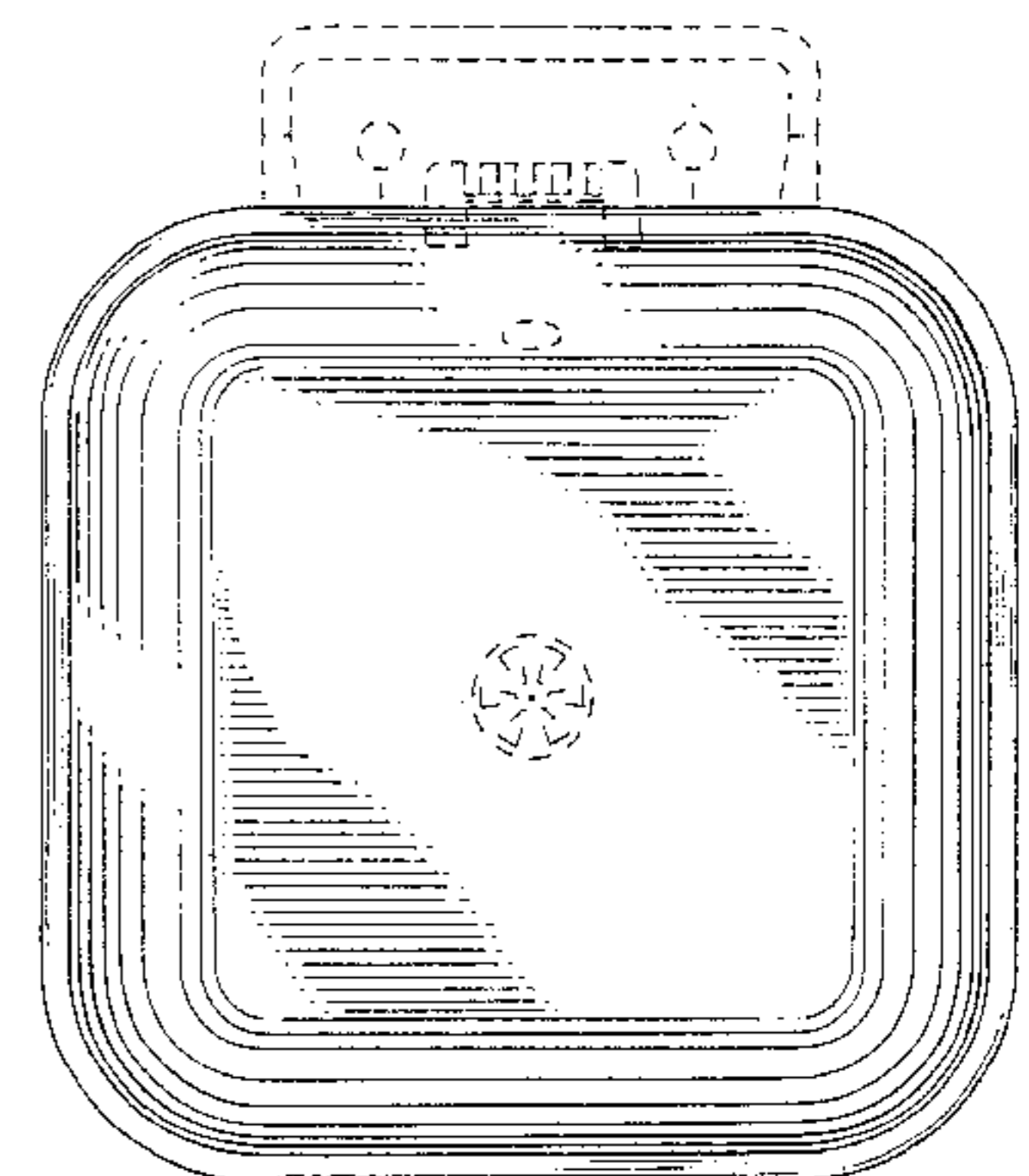
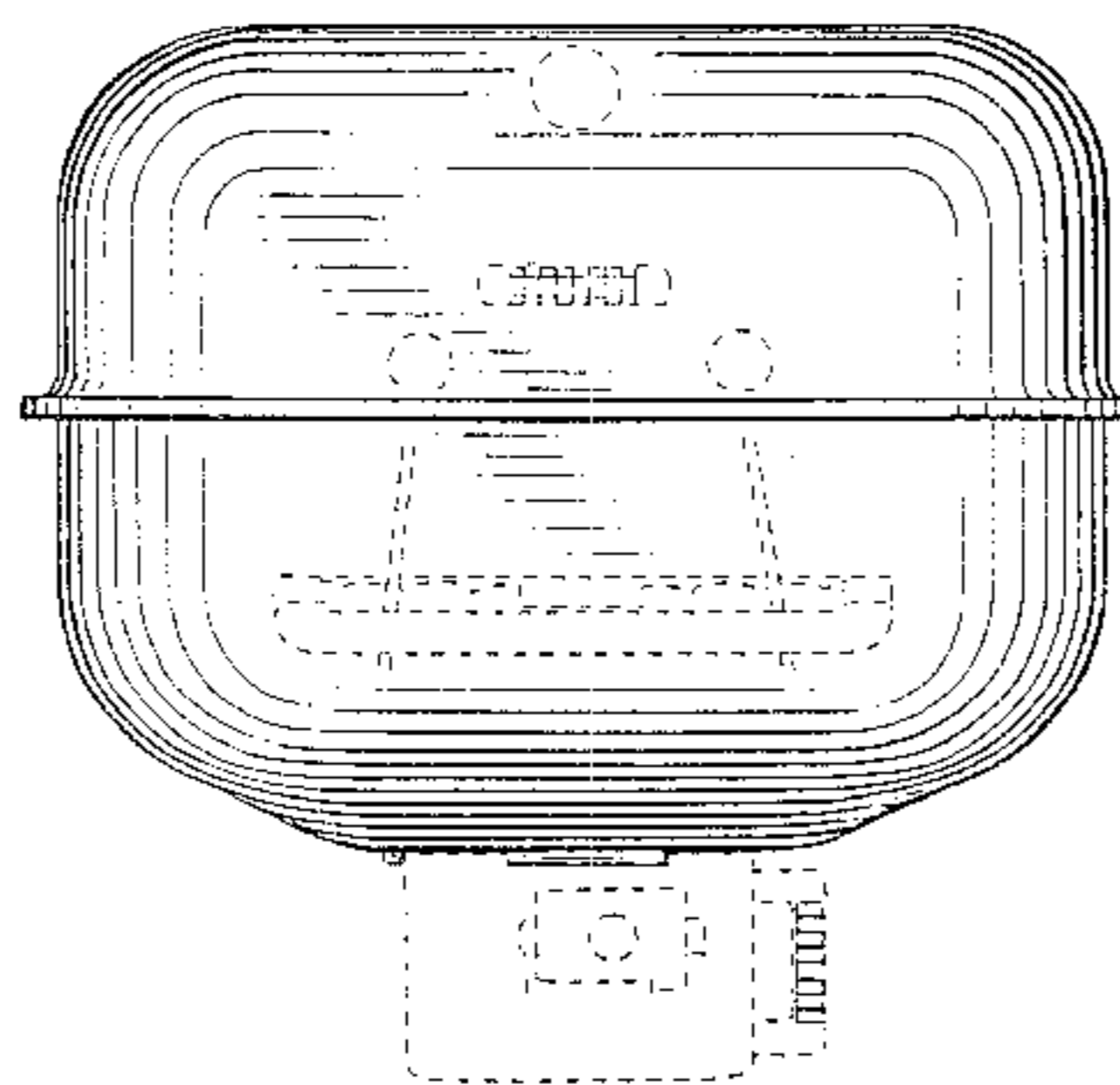
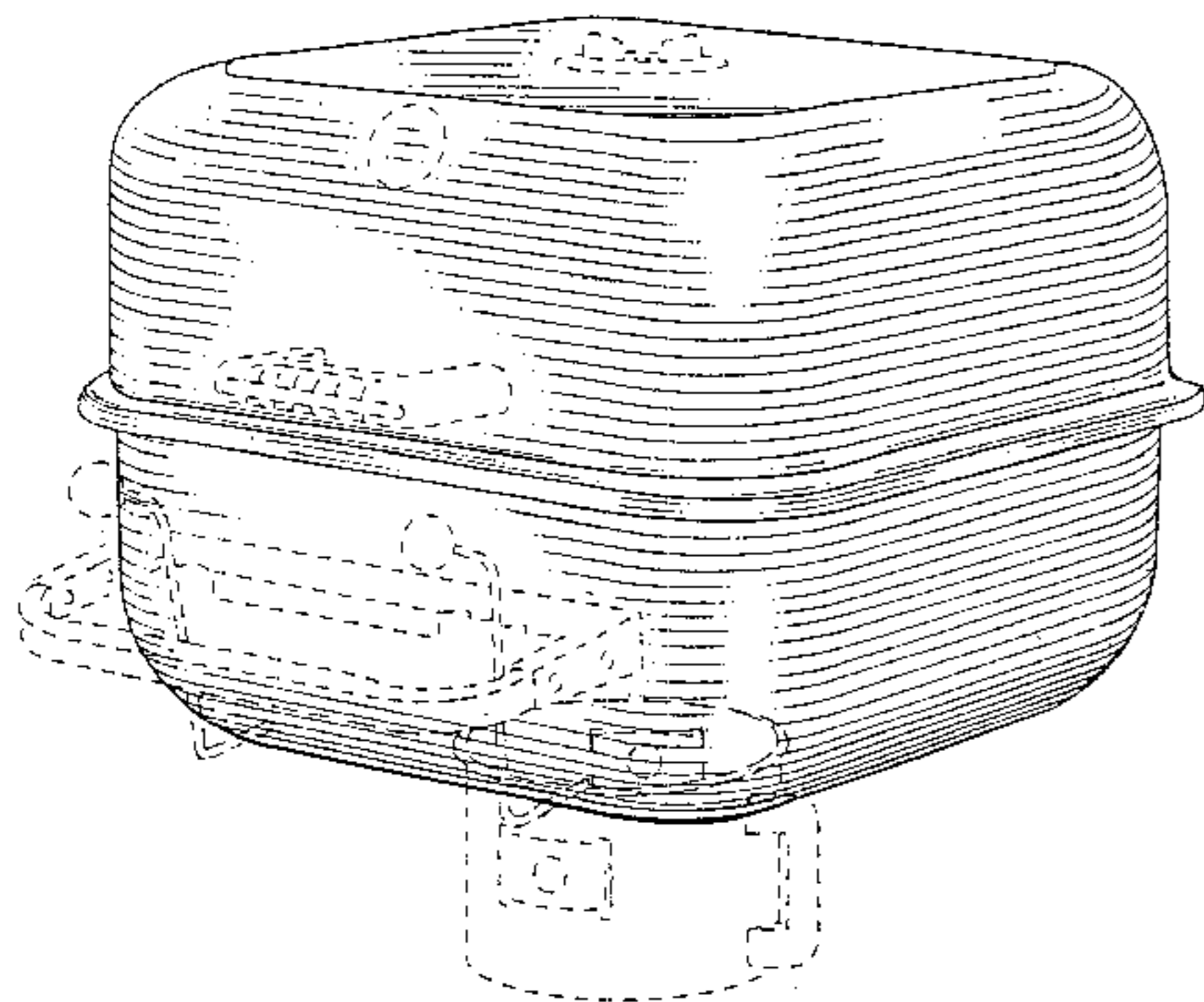
(57) **CLAIM**

The ornamental design for the non-round grill head for charcoal grill, as shown and described.

**DESCRIPTION**

FIG. 1 is a perspective view of a non-round grill head for charcoal grill showing our new design;  
FIG. 2 is a top view of the bottom half of the grill head of FIG. 1;  
FIG. 3 is a front elevational view of the bottom half of the grill head of FIG. 1;  
FIG. 4 is a front elevational view of the grill head of FIG. 1;  
FIG. 5 is a rear elevational view of the grill head of FIG. 1;  
FIG. 6 is a left-side elevational view of the grill head of FIG. 1;  
FIG. 7 is a right side elevational view of the grill head of FIG. 1;  
FIG. 8 is a top plan view of the grill head of FIG. 1; and,  
FIG. 9 is a bottom plan view of the grill head of FIG. 1.

**1 Claim, 4 Drawing Sheets**



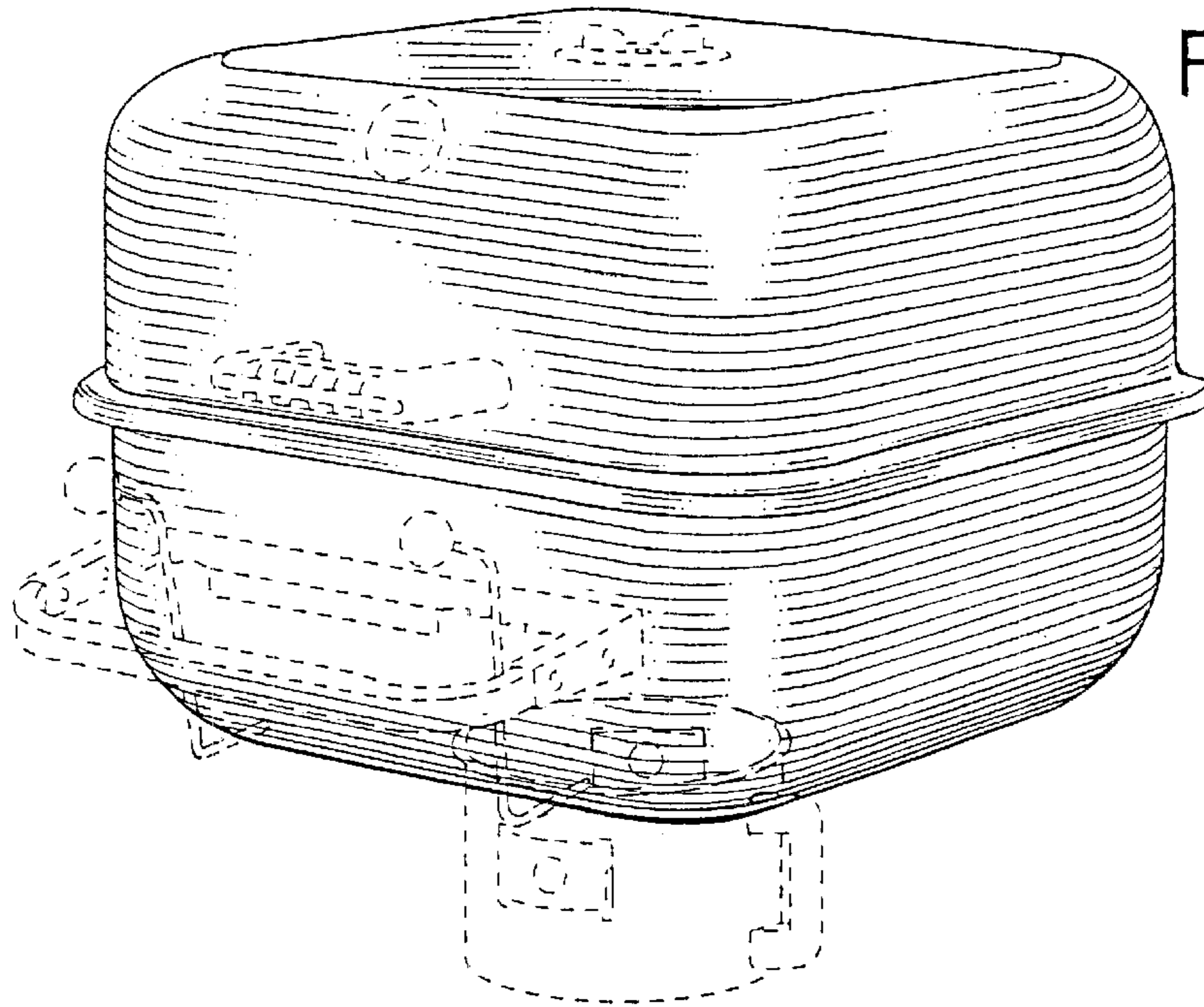


FIG. 1

FIG. 2

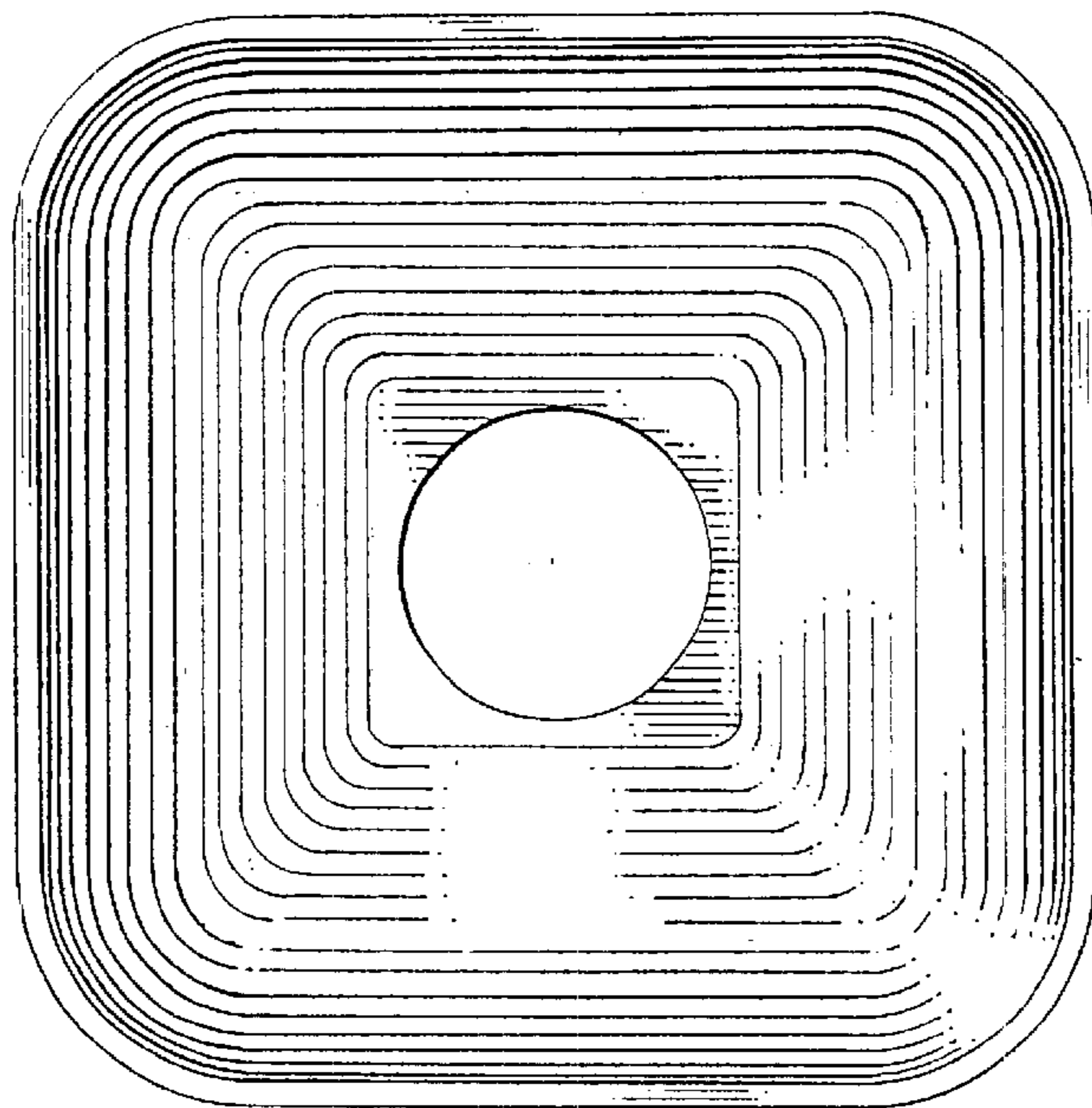


FIG. 3

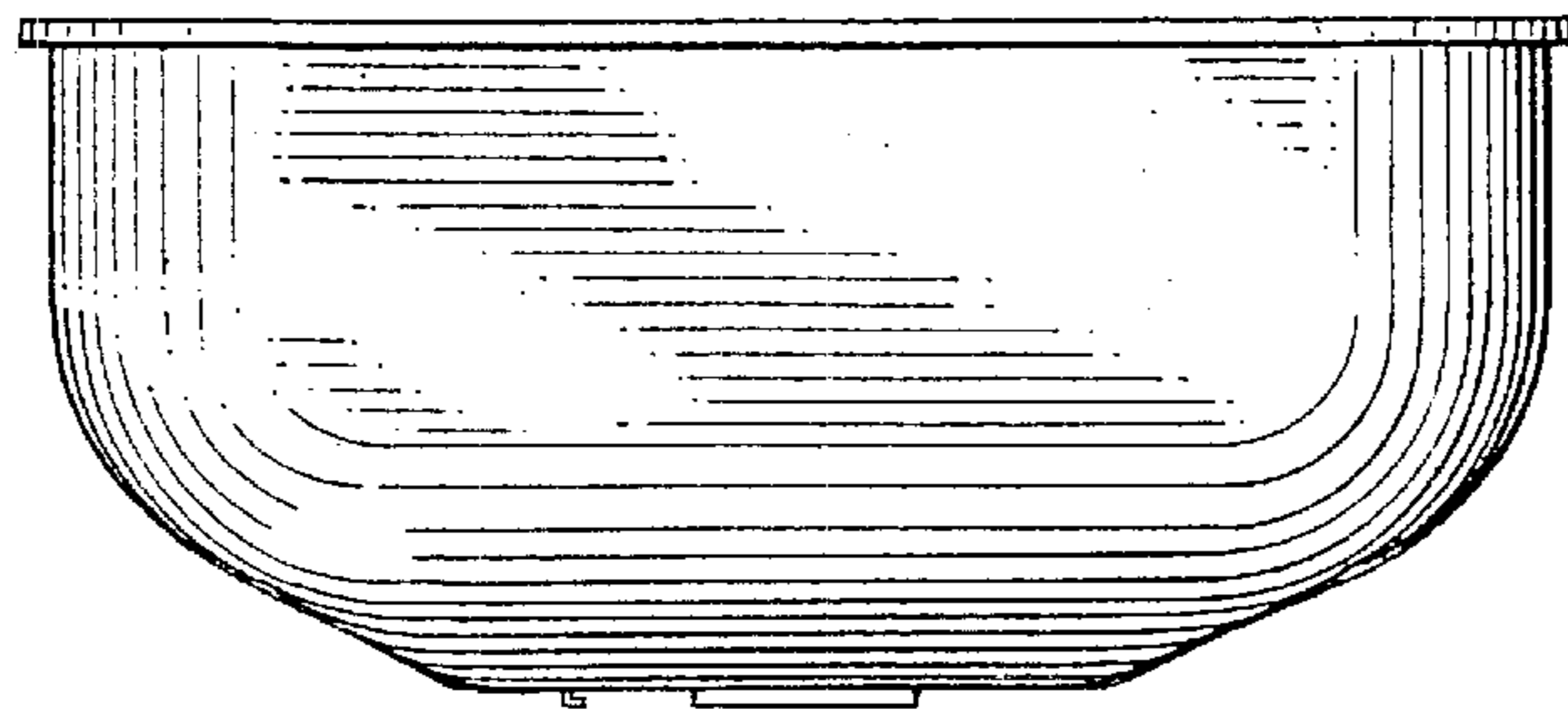


FIG.4

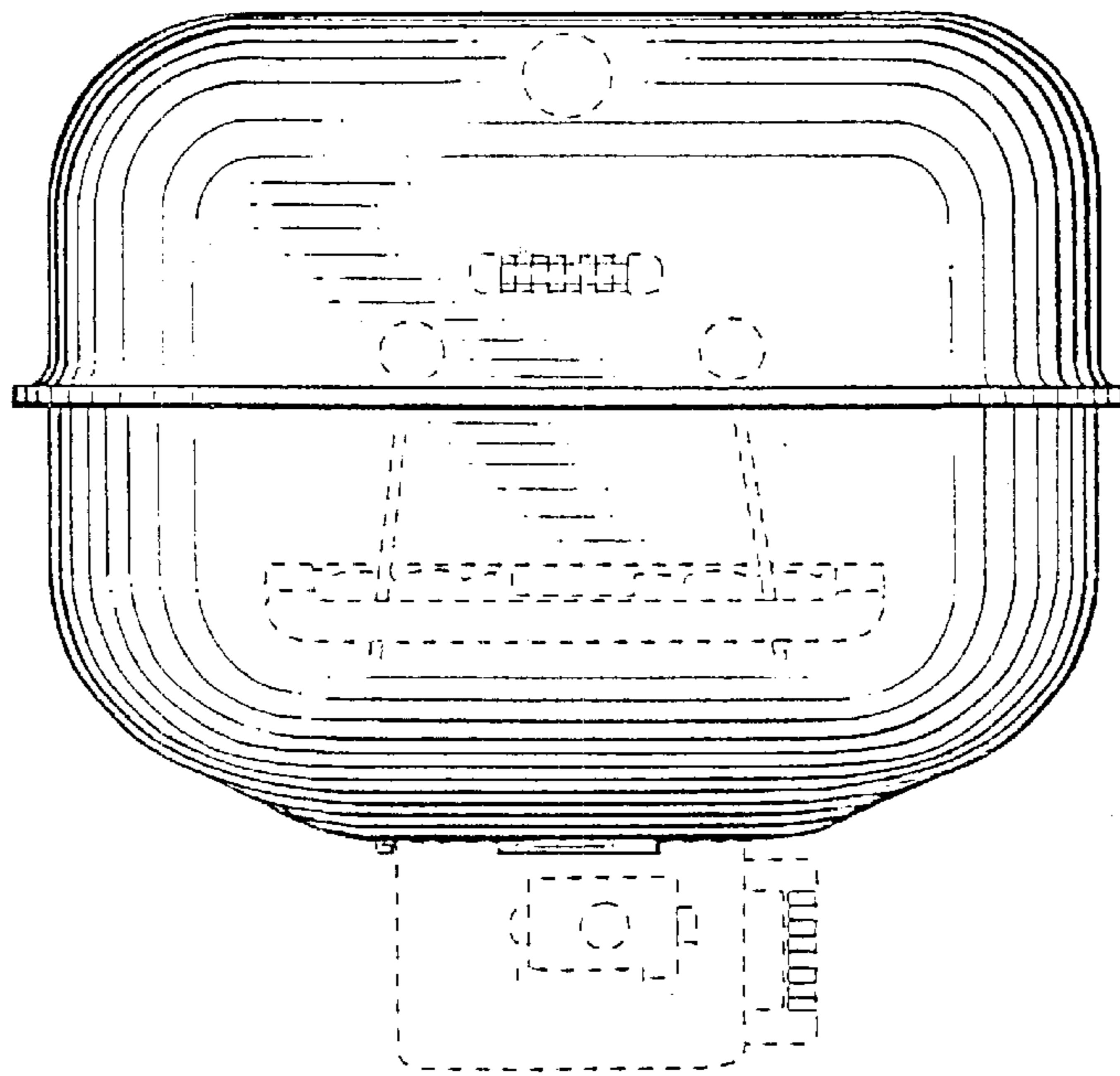


FIG.5

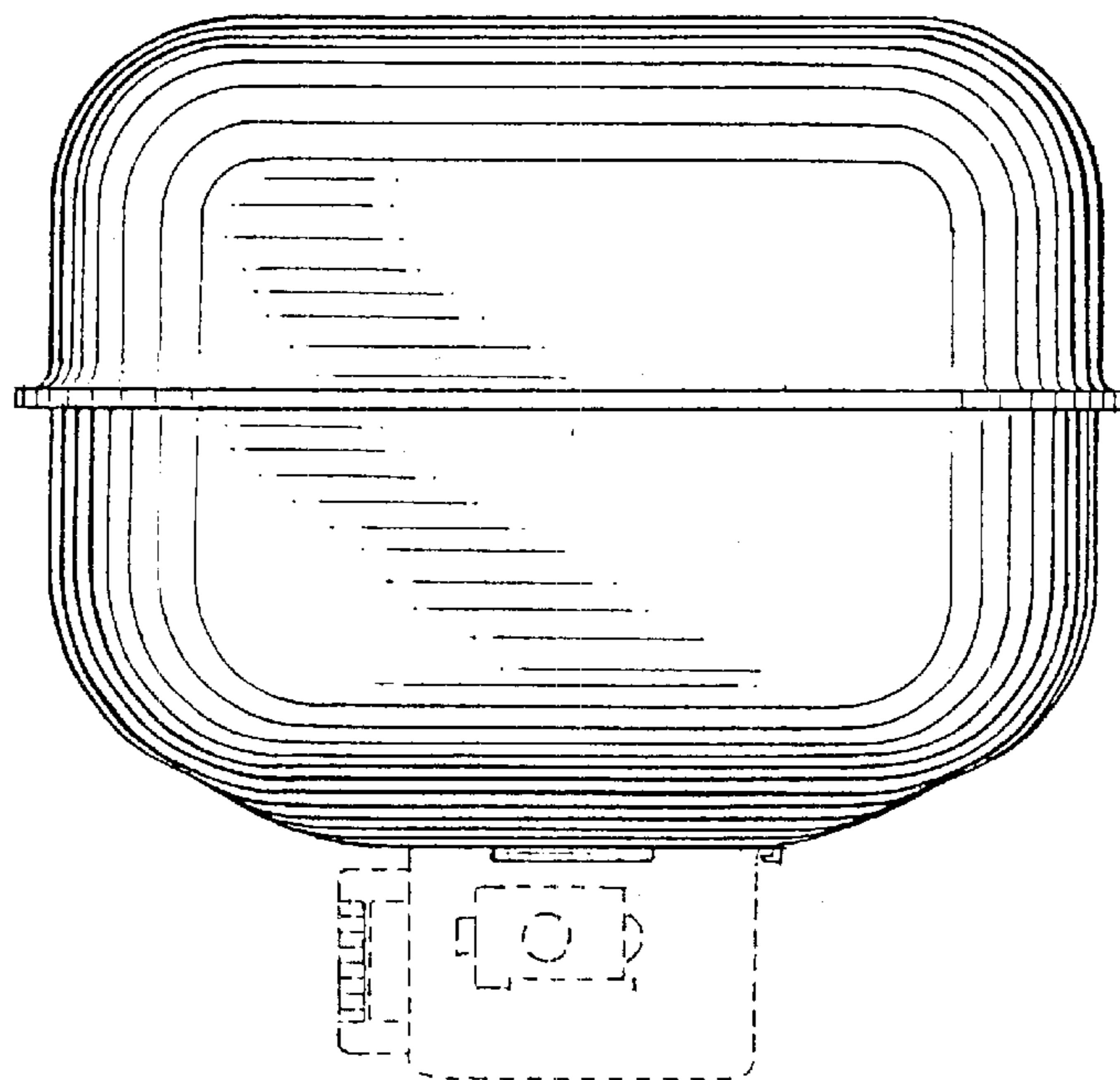


FIG.6

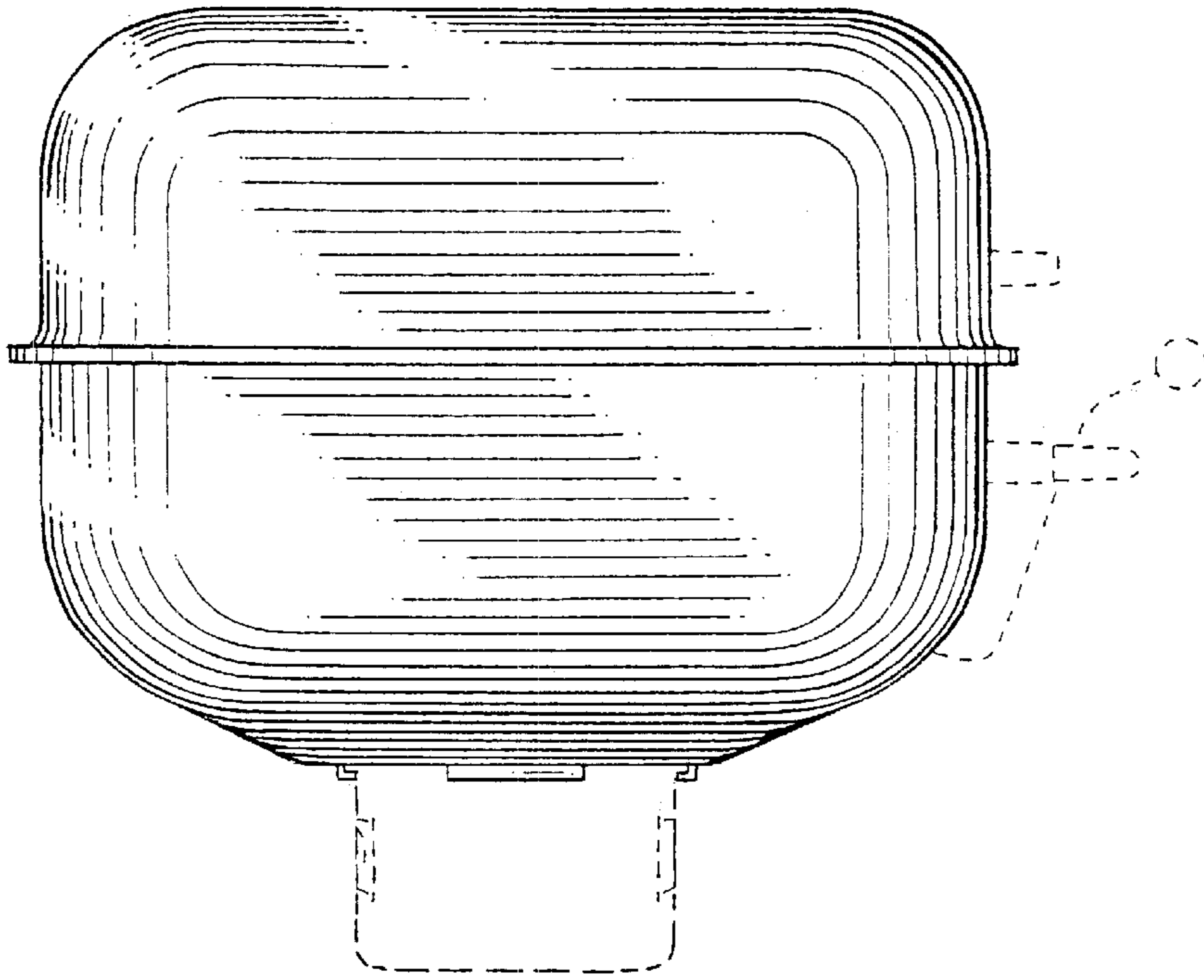


FIG.7

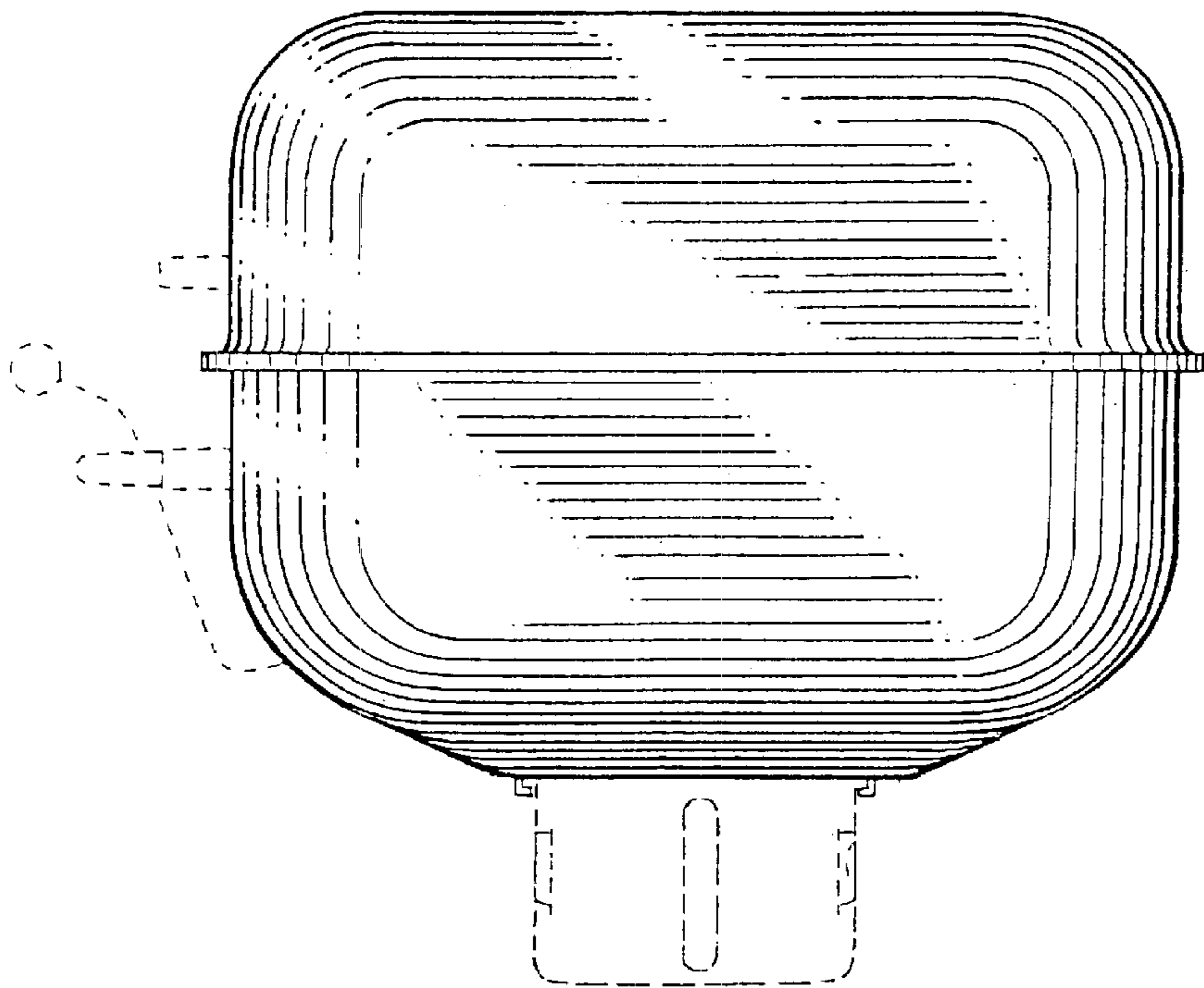


FIG.8

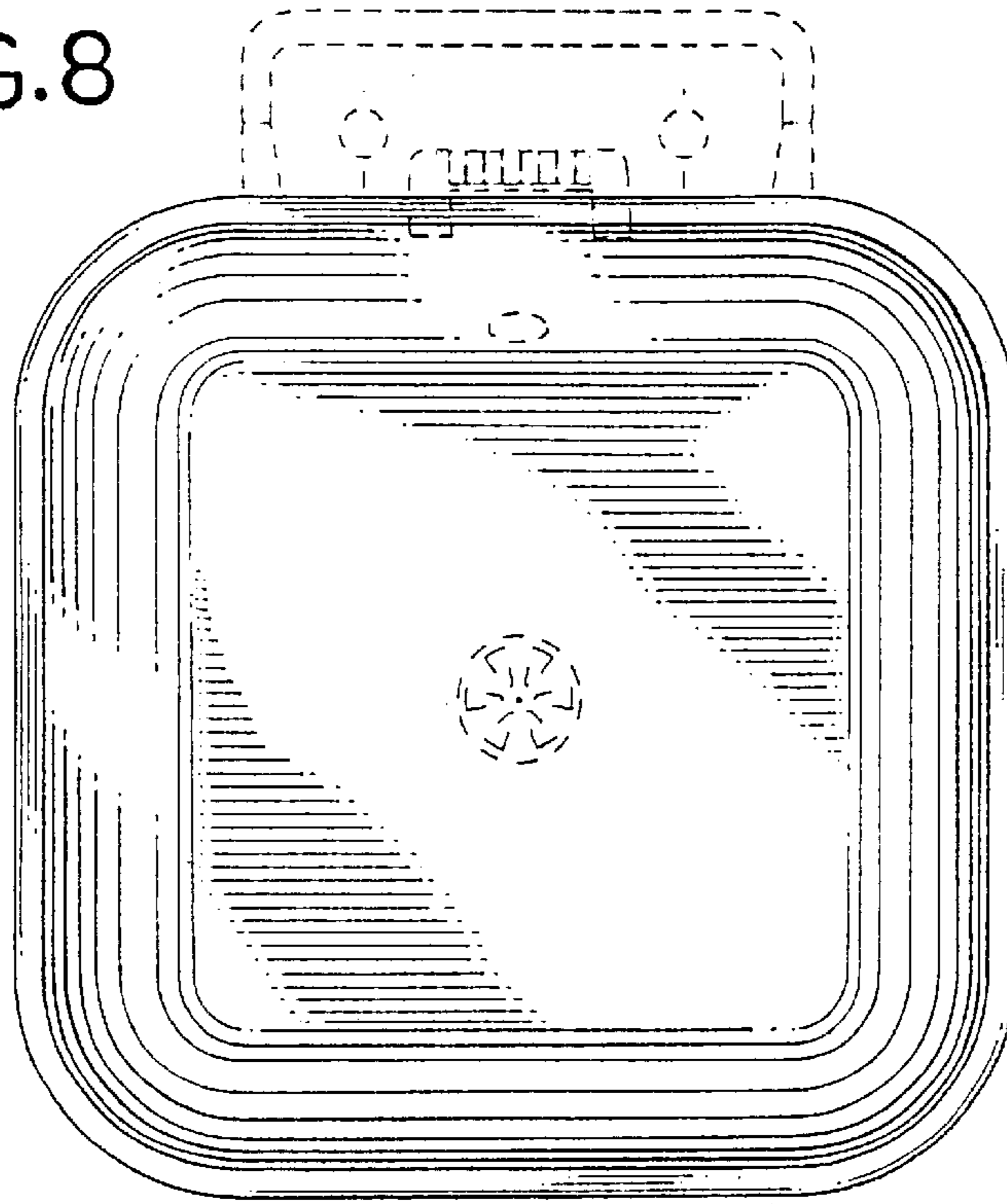


FIG.9

