



US00D468156S

(12) **United States Design Patent**  
**Yu**

(10) **Patent No.:** **US D468,156 S**

(45) **Date of Patent:** **\*\* \*Jan. 7, 2003**

(54) **HANDLE FOR KITCHEN UTENSIL**

D424,869 S \* 5/2000 Chau ..... D7/395  
D424,870 S \* 5/2000 Thurlow ..... D7/395

(75) Inventor: **Ka Keung Yu, Kwai Chung (HK)**

\* cited by examiner

(73) Assignee: **Team Concept (H.K.) Industry Limited, New Territories (HK)**

*Primary Examiner*—Terry A. Wallace

(74) *Attorney, Agent, or Firm*—Rabin & Berdo, P.C.

(\* ) Notice: This patent is subject to a terminal disclaimer.

(57) **CLAIM**

(\*\* ) Term: **14 Years**

The ornamental design for a handle for kitchen utensil, as shown and described.

(21) Appl. No.: **29/150,199**

**DESCRIPTION**

(22) Filed: **Nov. 13, 2001**

FIG. 1 is a perspective view of a handle for kitchen utensil showing my new design;

(51) **LOC (7) Cl.** ..... **07-02**

FIG. 2 is a front view thereof;

(52) **U.S. Cl.** ..... **D7/395**

FIG. 3 is a left view thereof;

(58) **Field of Search** ..... D7/393, 395, 401.2,  
D7/681-697, 354-361; D8/107; 16/110.1,  
430, 431

FIG. 4 is a right side view thereof;

FIG. 5 is a rear view thereof;

FIG. 6 is a top plan view thereof;

FIG. 7 is a bottom plan view thereof; and,

FIG. 8 is a perspective view with parts attached.

The broken lines are for illustrative purposes only and form no part of the claimed design.

(56) **References Cited**

**U.S. PATENT DOCUMENTS**

4,556,245 A \* 12/1985 Gruenwald ..... 16/110.1  
4,653,468 A \* 3/1987 Lemme et al. .... 16/431 X

**1 Claim, 3 Drawing Sheets**

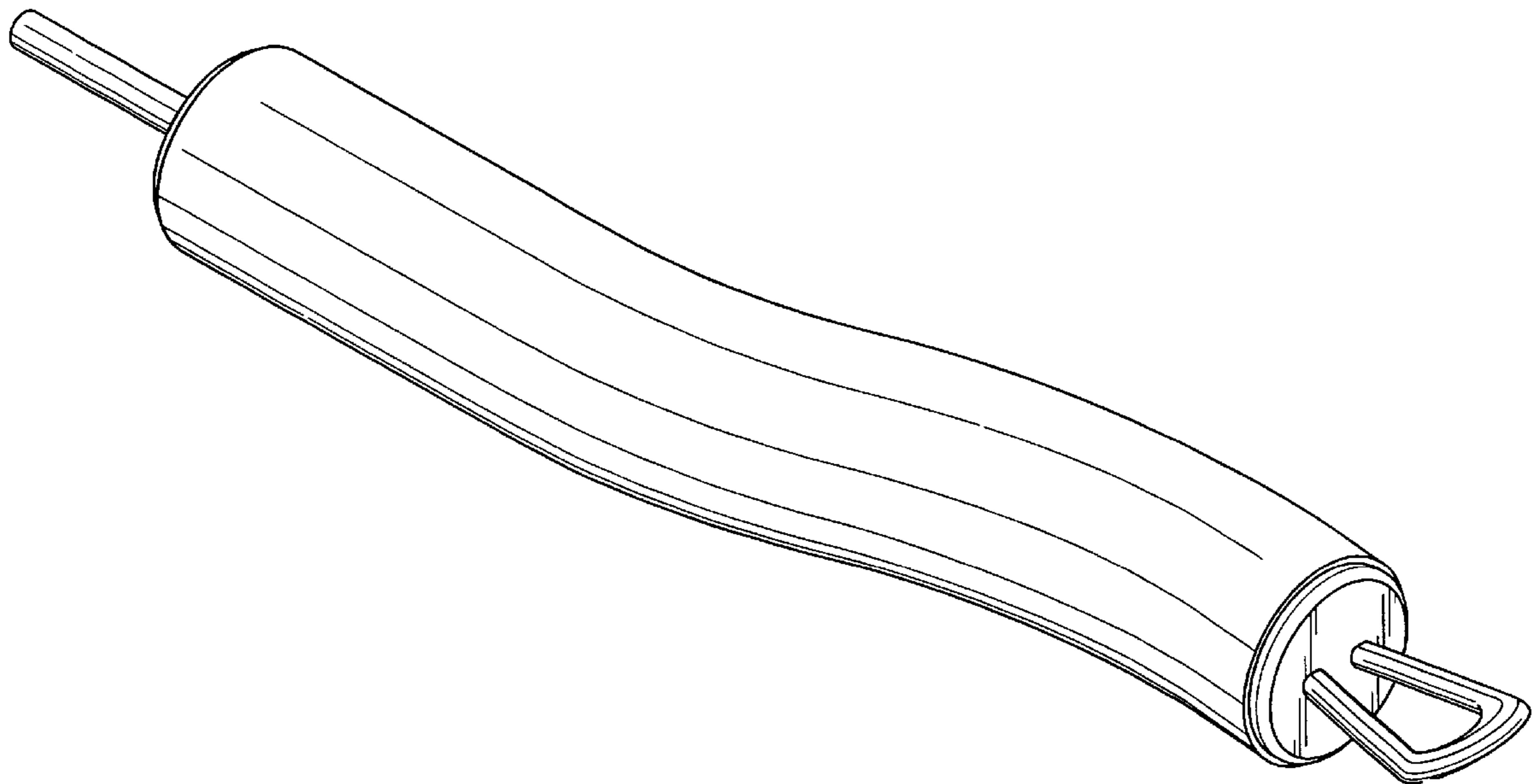


FIG. 7

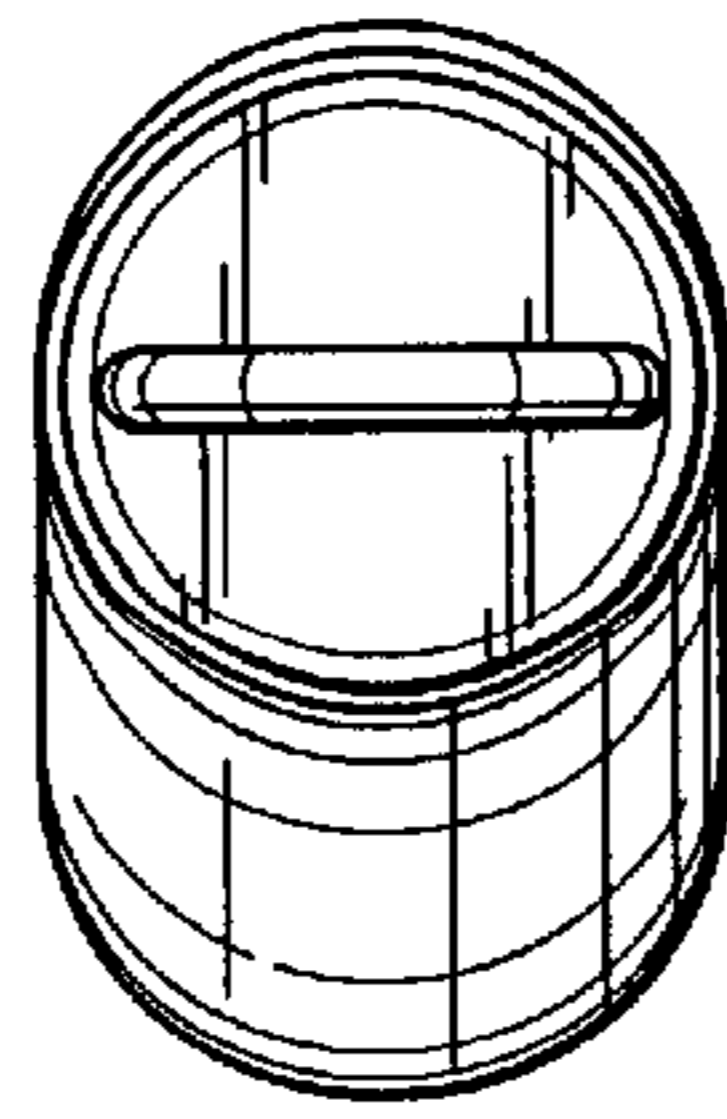


FIG. 6

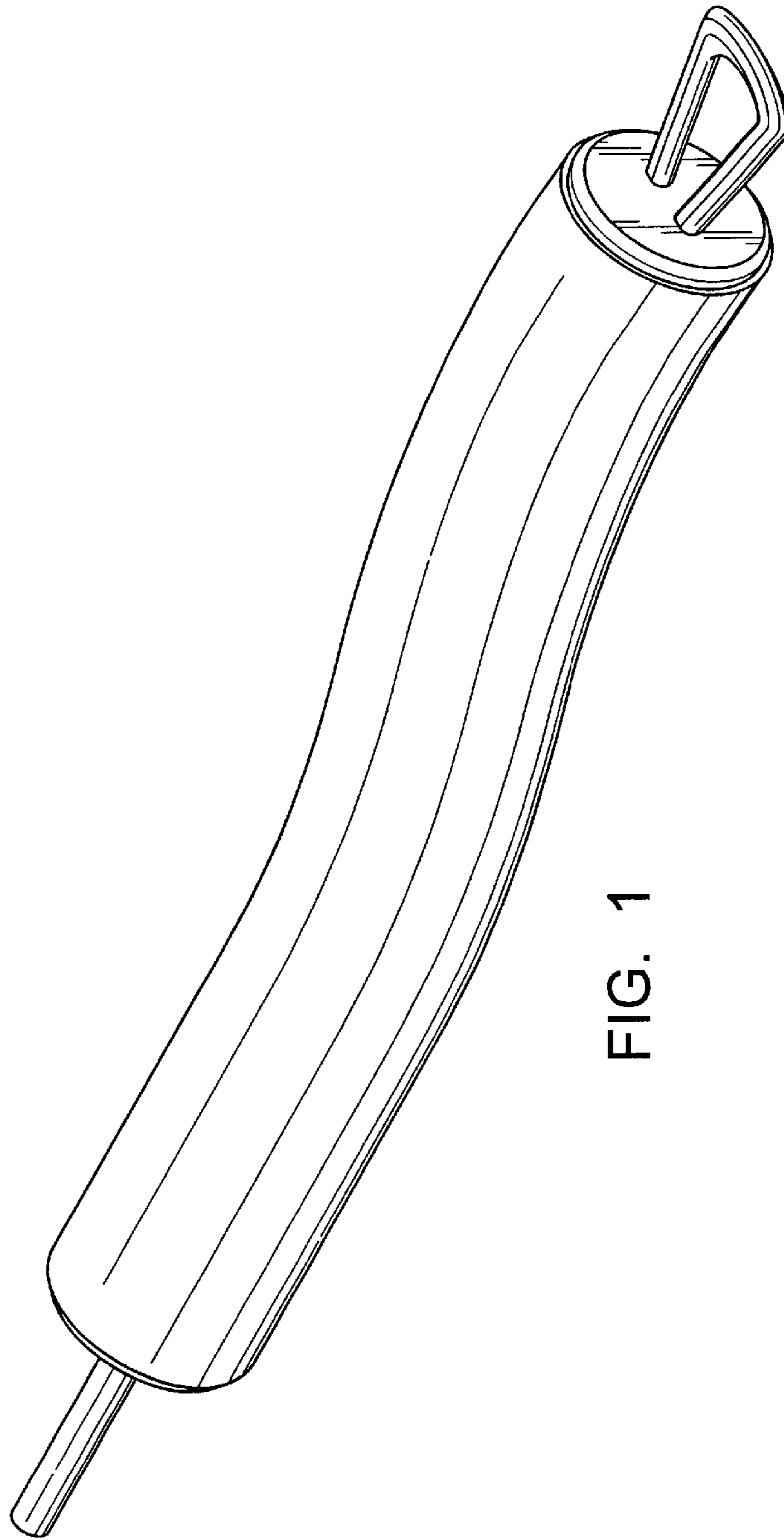
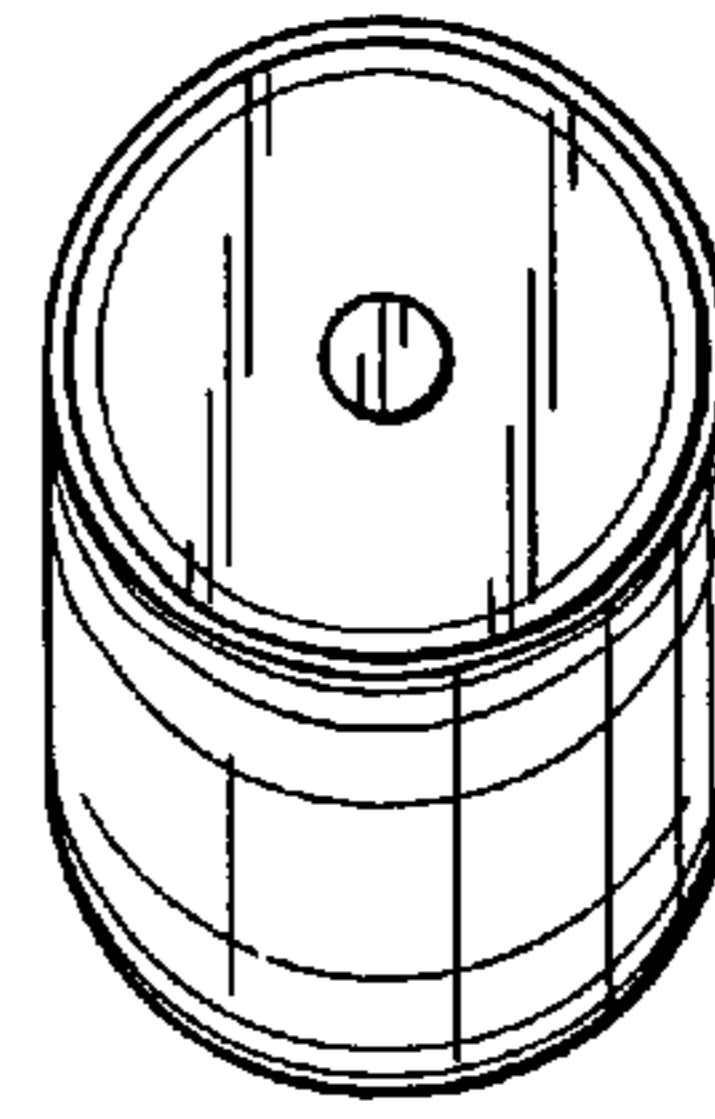


FIG. 1

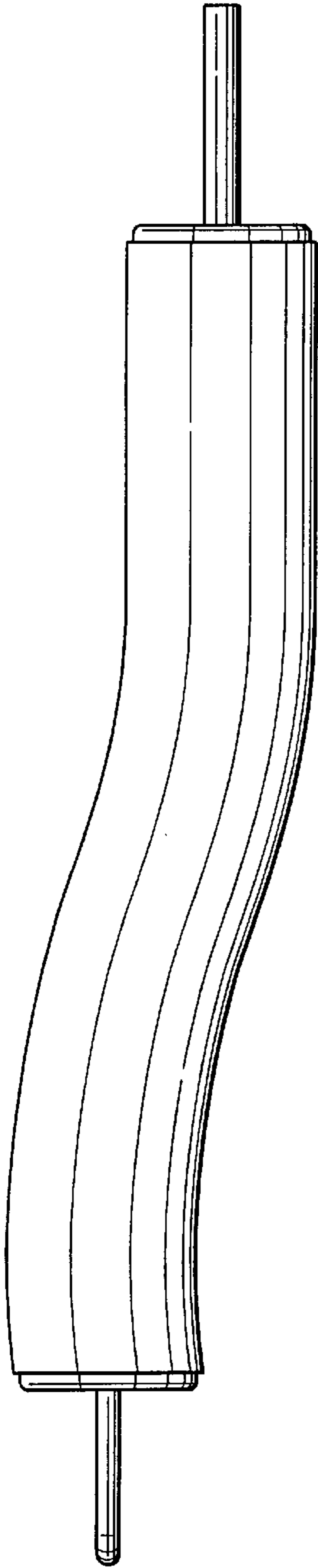


FIG. 4

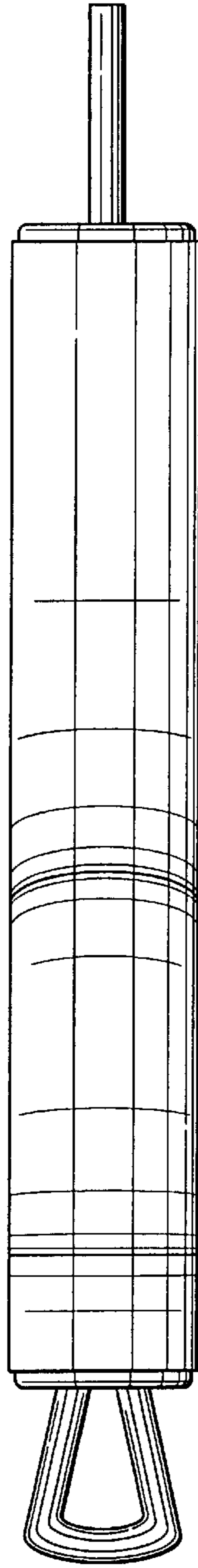


FIG. 2

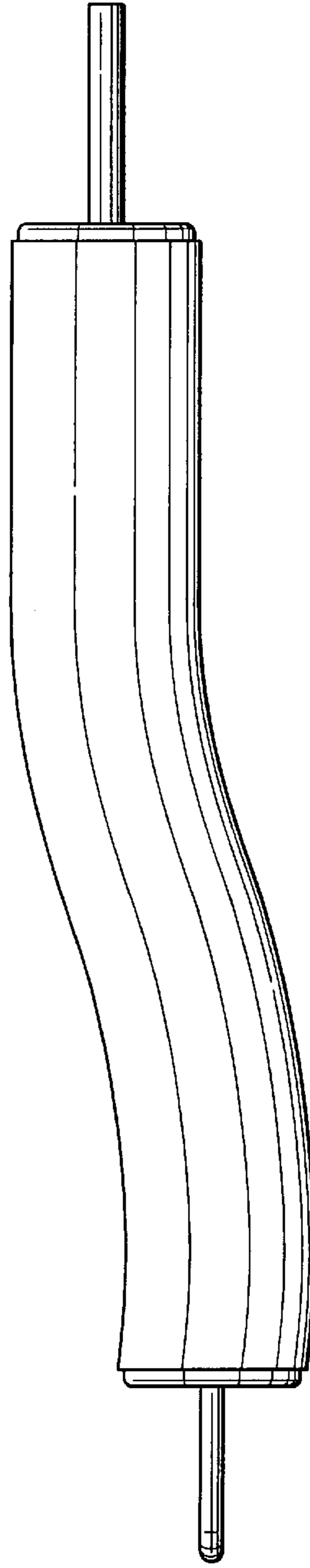


FIG. 3

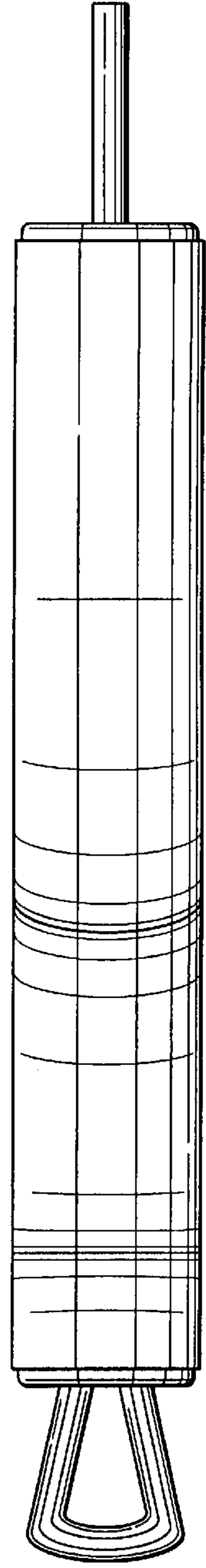


FIG. 5

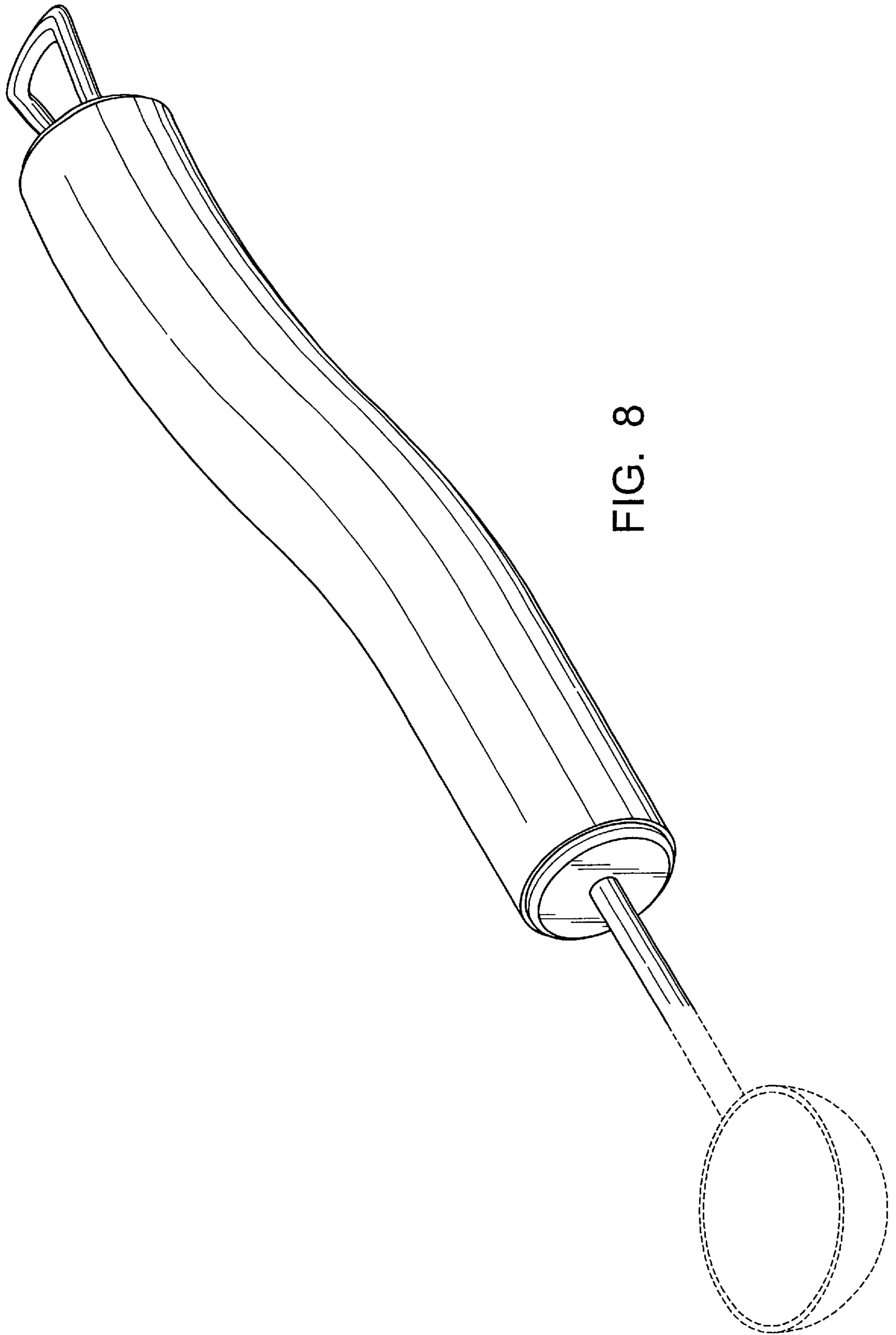


FIG. 8