



US00D468151S

(12) **United States Design Patent**
Yeh et al.

(10) **Patent No.:** **US D468,151 S**

(45) **Date of Patent:** **** Jan. 7, 2003**

(54) **CHARCOAL GRILL**

(75) Inventors: **Yuan-Hung Yeh**, Taipei Hsien (TW);
Yi-Ming Yang, Taipei Hsien (TW);
Jian-Jang Chen, Taipei Hsien (TW)

(73) Assignee: **Hens Specialty Co., Ltd.**, Taipei Hsien (TW)

(**) Term: **14 Years**

(21) Appl. No.: **29/153,615**

(22) Filed: **Jan. 14, 2002**

(51) **LOC (7) Cl.** **07-02**

(52) **U.S. Cl.** **D7/337**

(58) **Field of Search** D7/332-338, 402-404,
D7/407-409; 126/25 R, 9 R, 41 R, 38,
40, 50; 69/422, 425, 444

(56) **References Cited**

U.S. PATENT DOCUMENTS

- D282,619 S * 2/1986 Fitzgerald et al. D7/332
- D370,380 S * 6/1996 McGourthy, Jr. et al. D7/332
- D414,980 S * 10/1999 Pai D7/337

- D415,649 S * 10/1999 Pai D7/337
- D415,925 S * 11/1999 Pai D7/337
- D420,244 S * 2/2000 Pai D7/332
- D444,023 S * 6/2001 Pai D7/337
- D446,678 S * 8/2001 Pai D7/337
- D455,598 S * 4/2002 Pai D7/337

* cited by examiner

Primary Examiner—Ruth McInroy

(74) *Attorney, Agent, or Firm*—Rabin & Berdo, P.C.

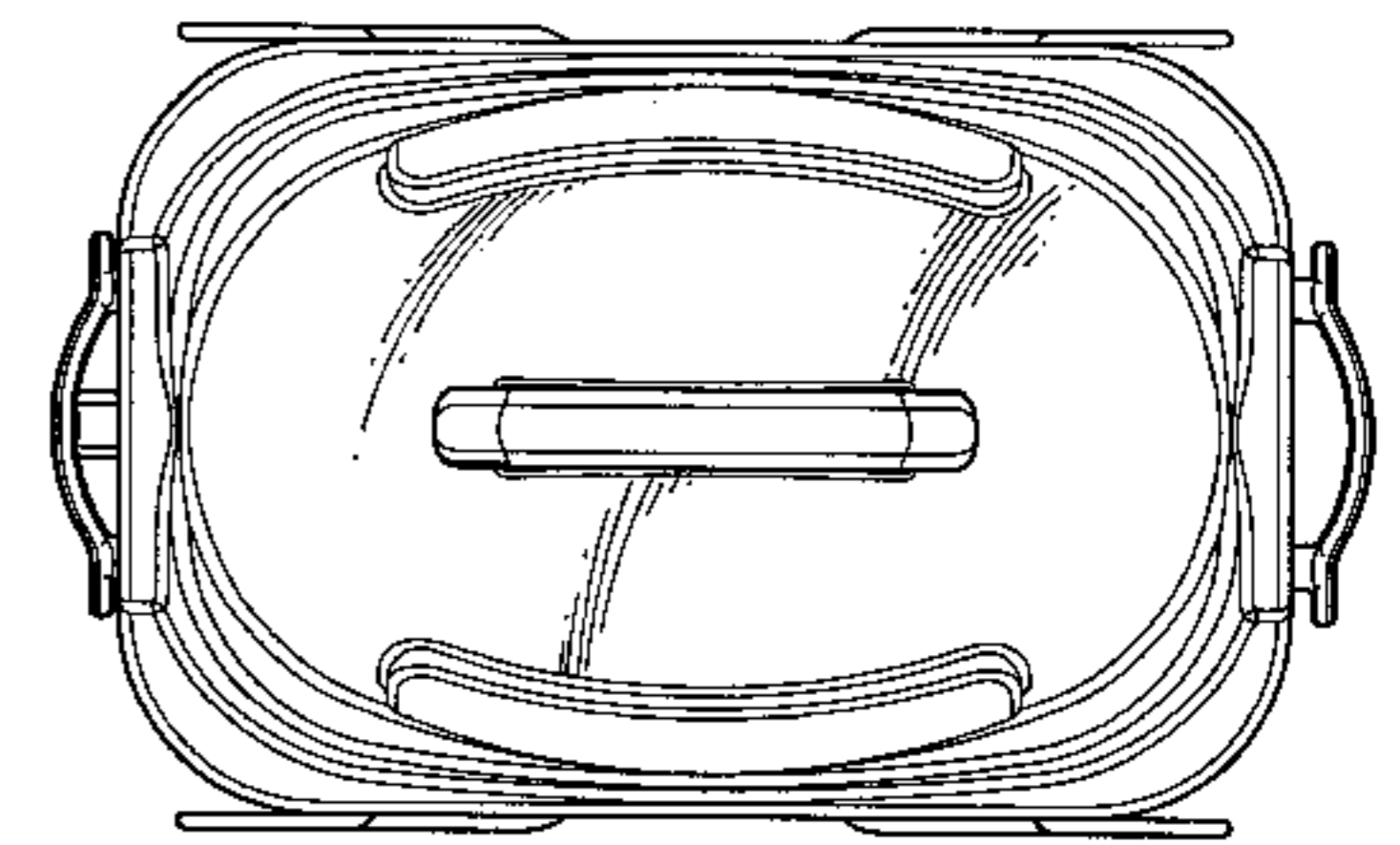
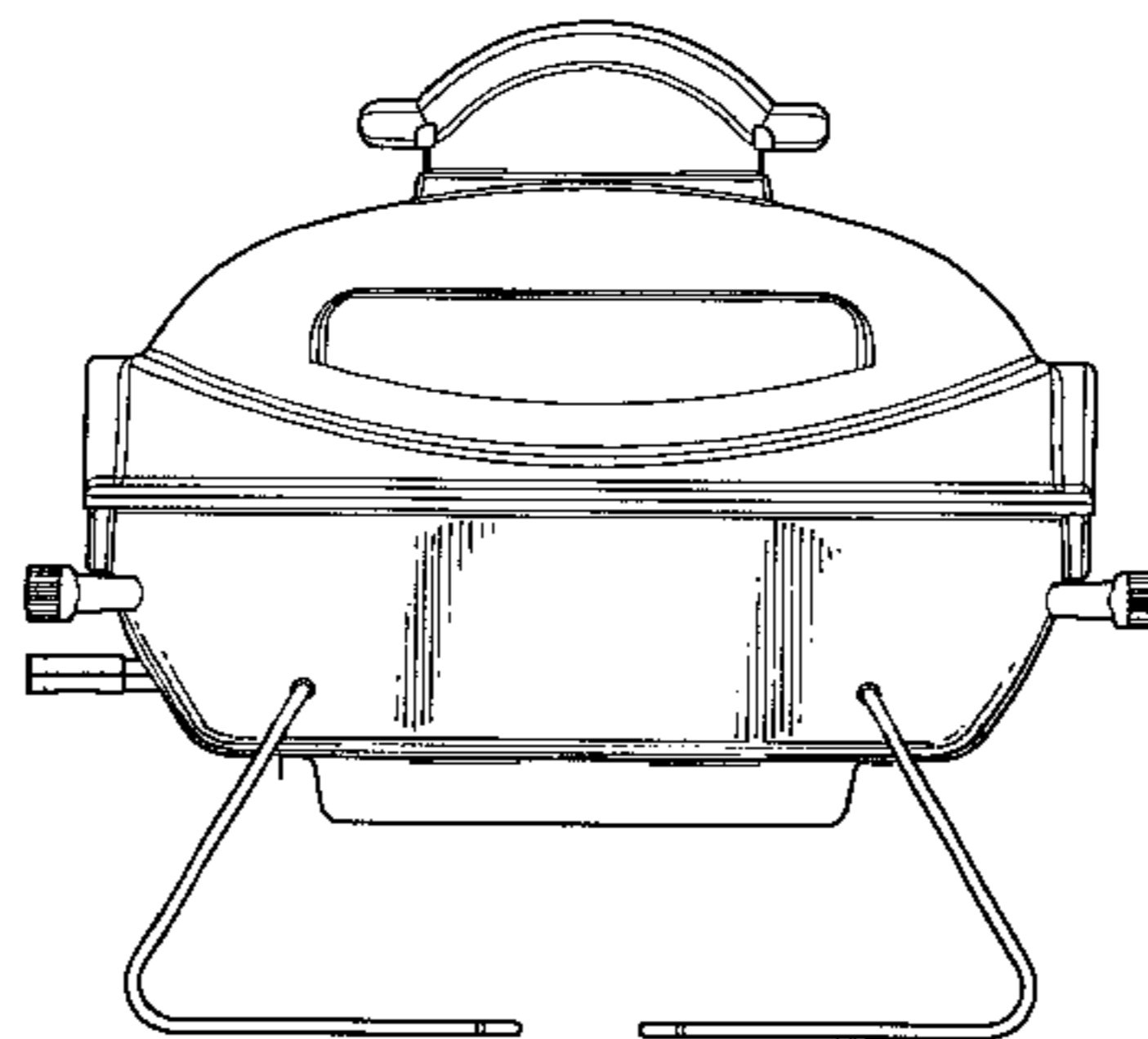
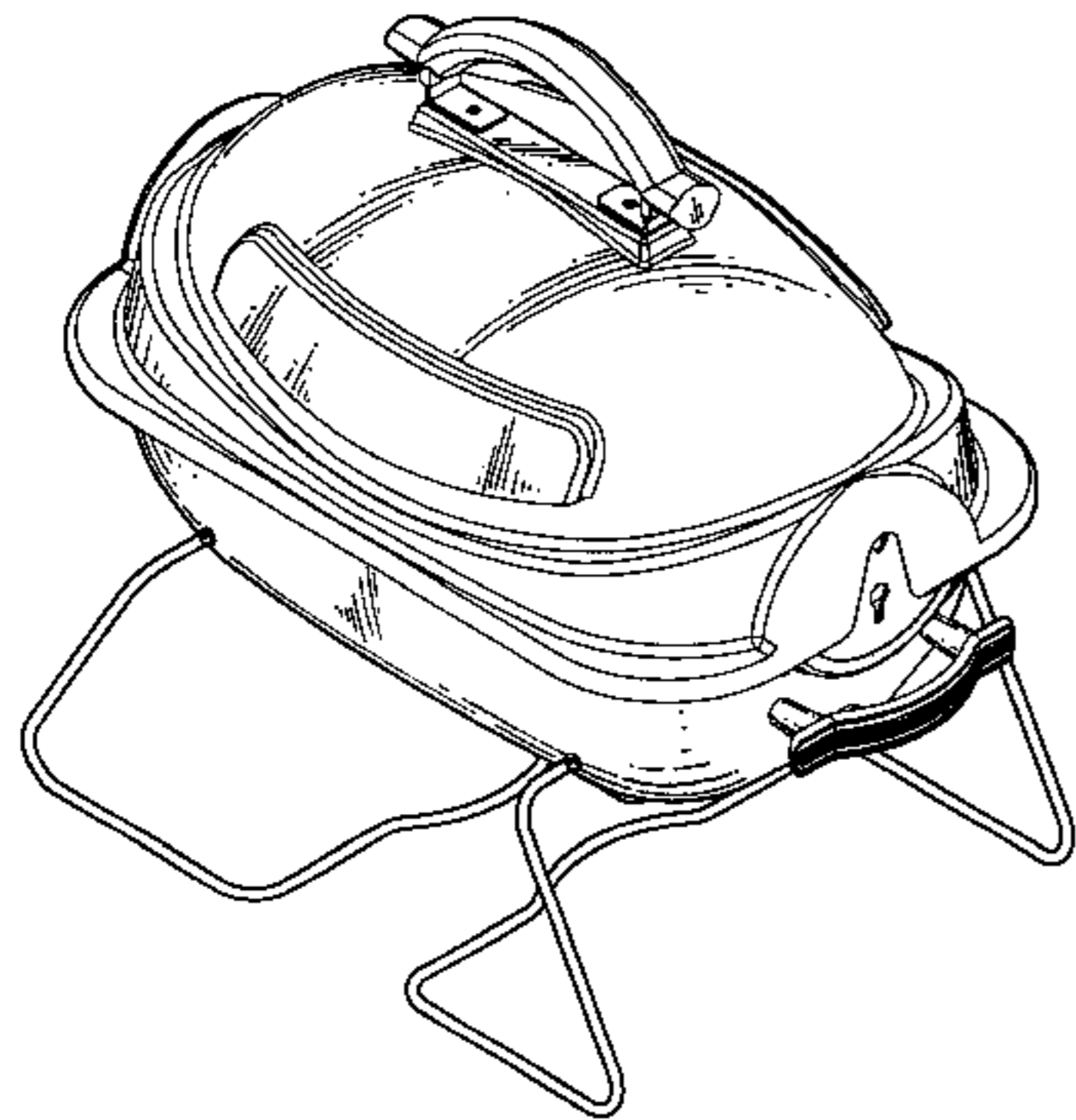
(57) **CLAIM**

The ornamental design for a charcoal grill, as shown and described.

DESCRIPTION

FIG. 1 is a perspective view of a charcoal grill showing my new design;
 FIG. 2 is a front elevation view thereof;
 FIG. 3 is a rear elevation view thereof;
 FIG. 4 is a left side elevation view thereof;
 FIG. 5 is a right side elevation view thereof;
 FIG. 6 is a top plan view thereof; and,
 FIG. 7 is a bottom plan view thereof.

1 Claim, 4 Drawing Sheets



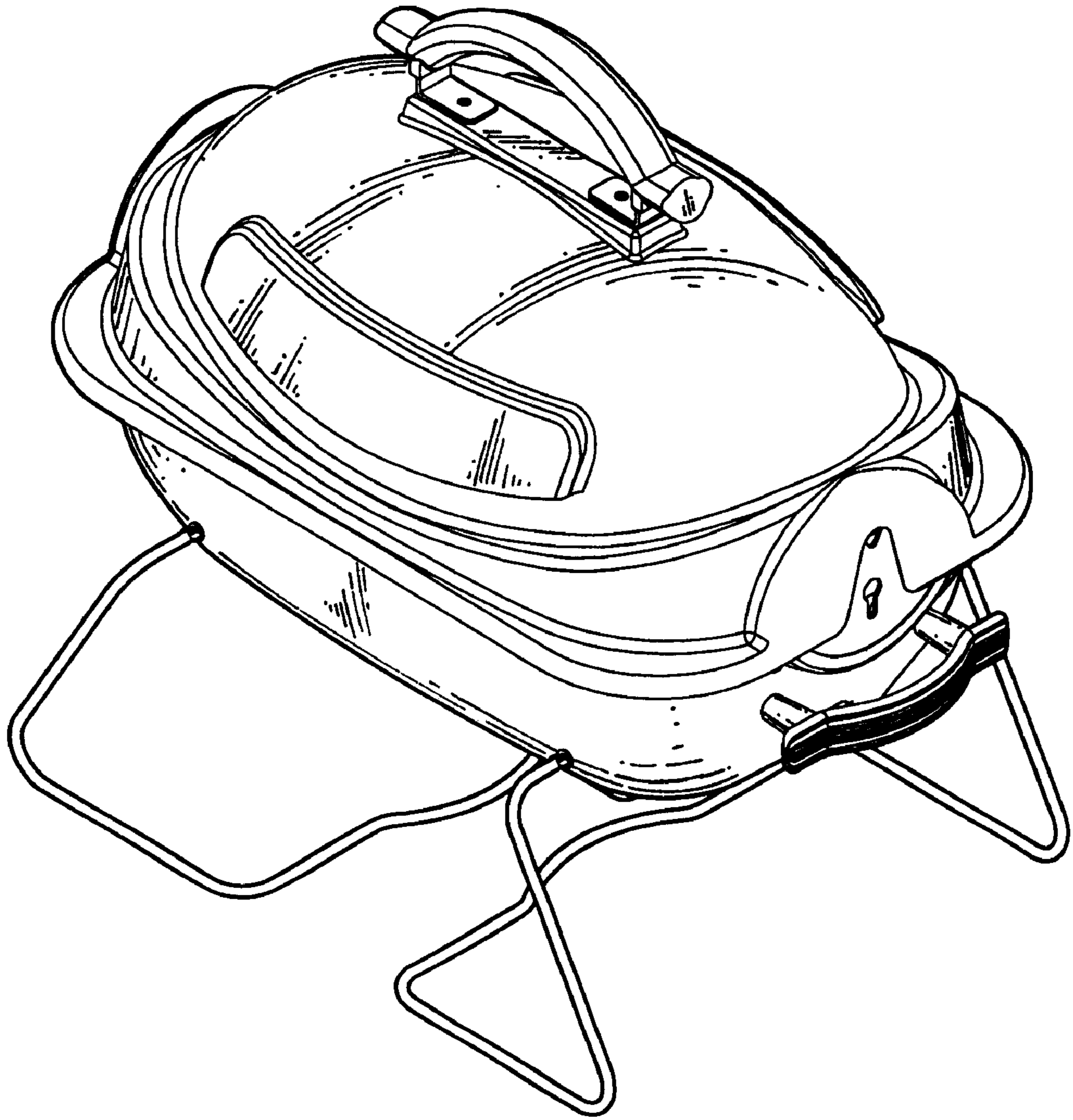


Fig.1

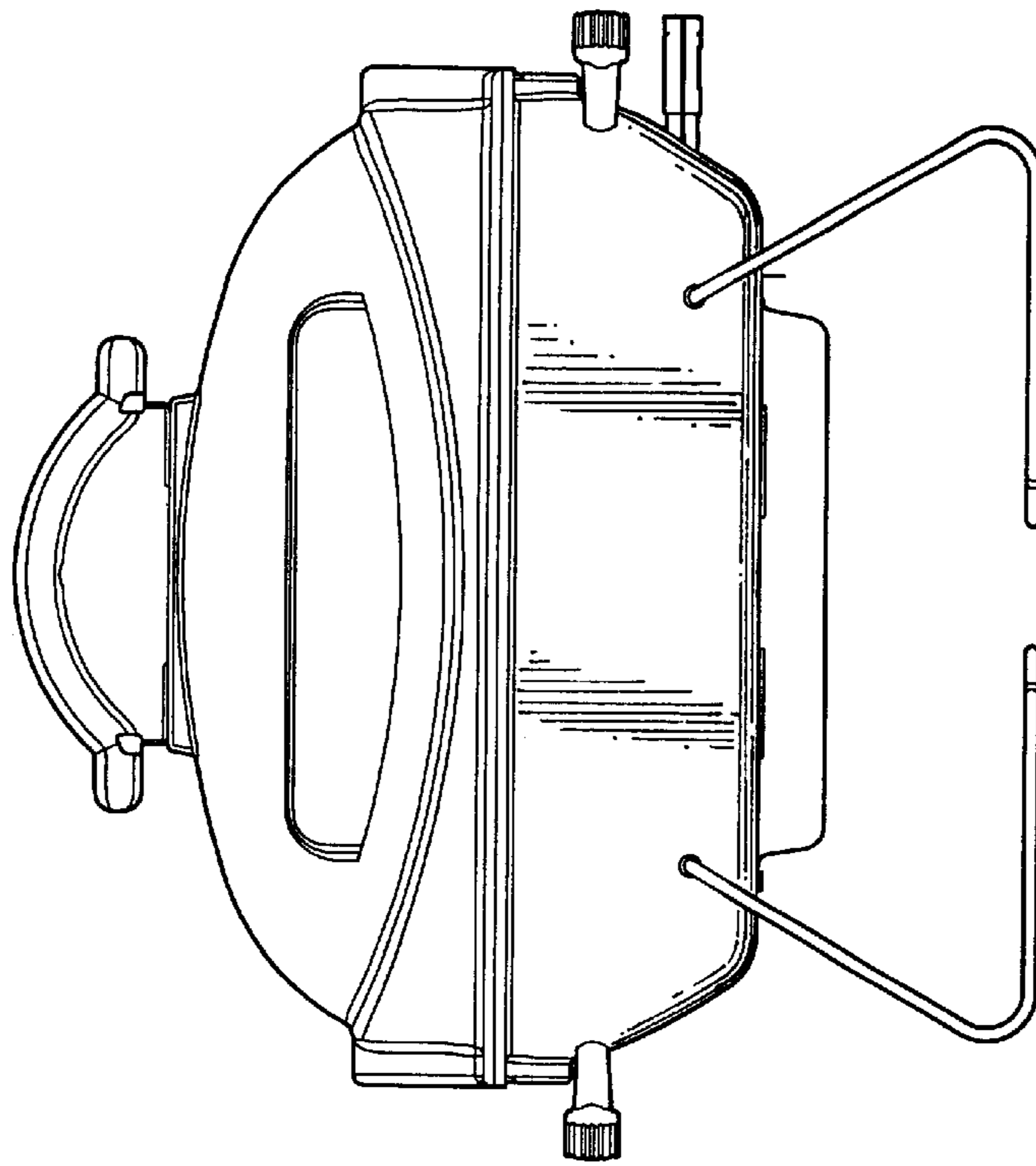


Fig. 3

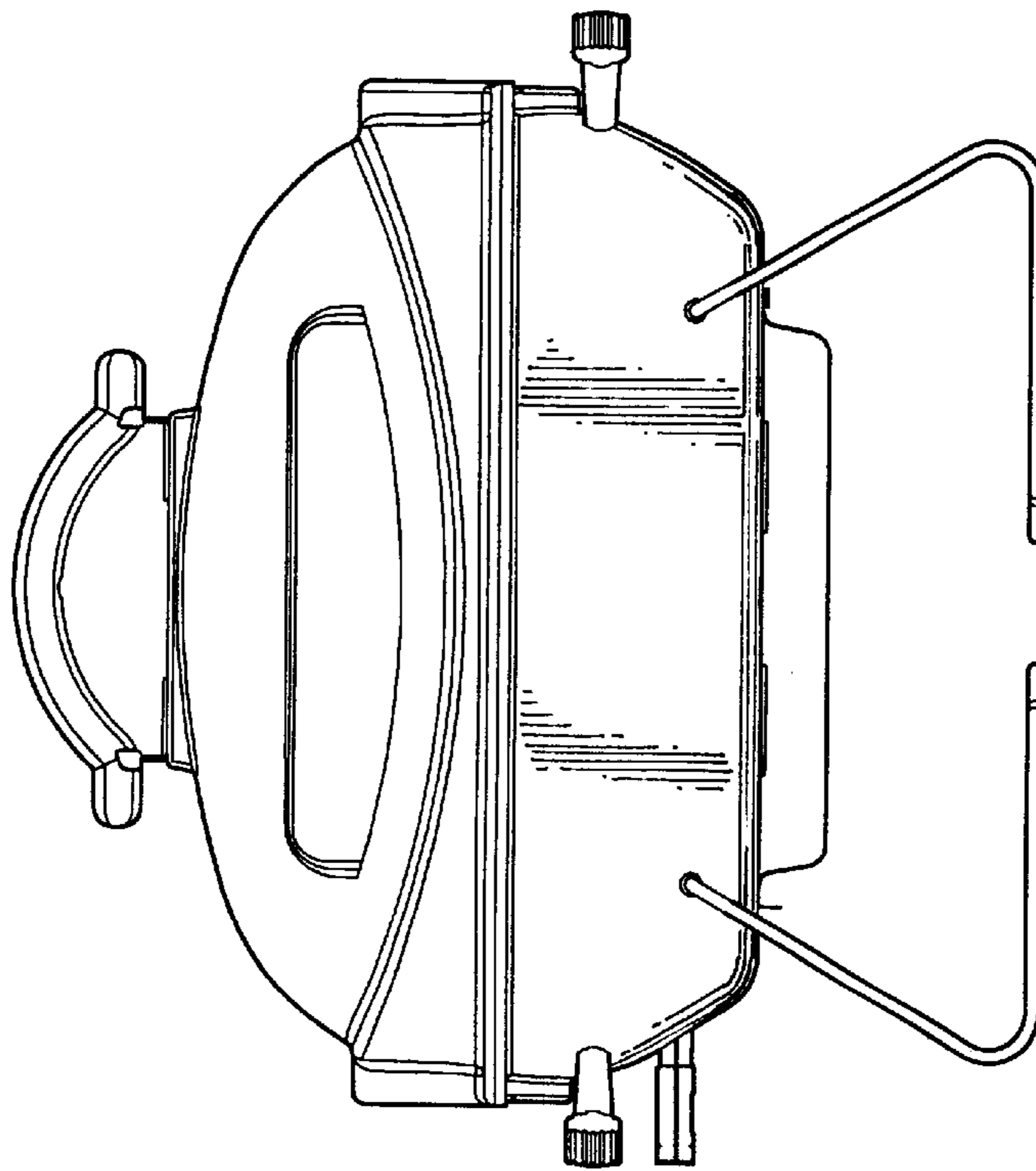


Fig. 2

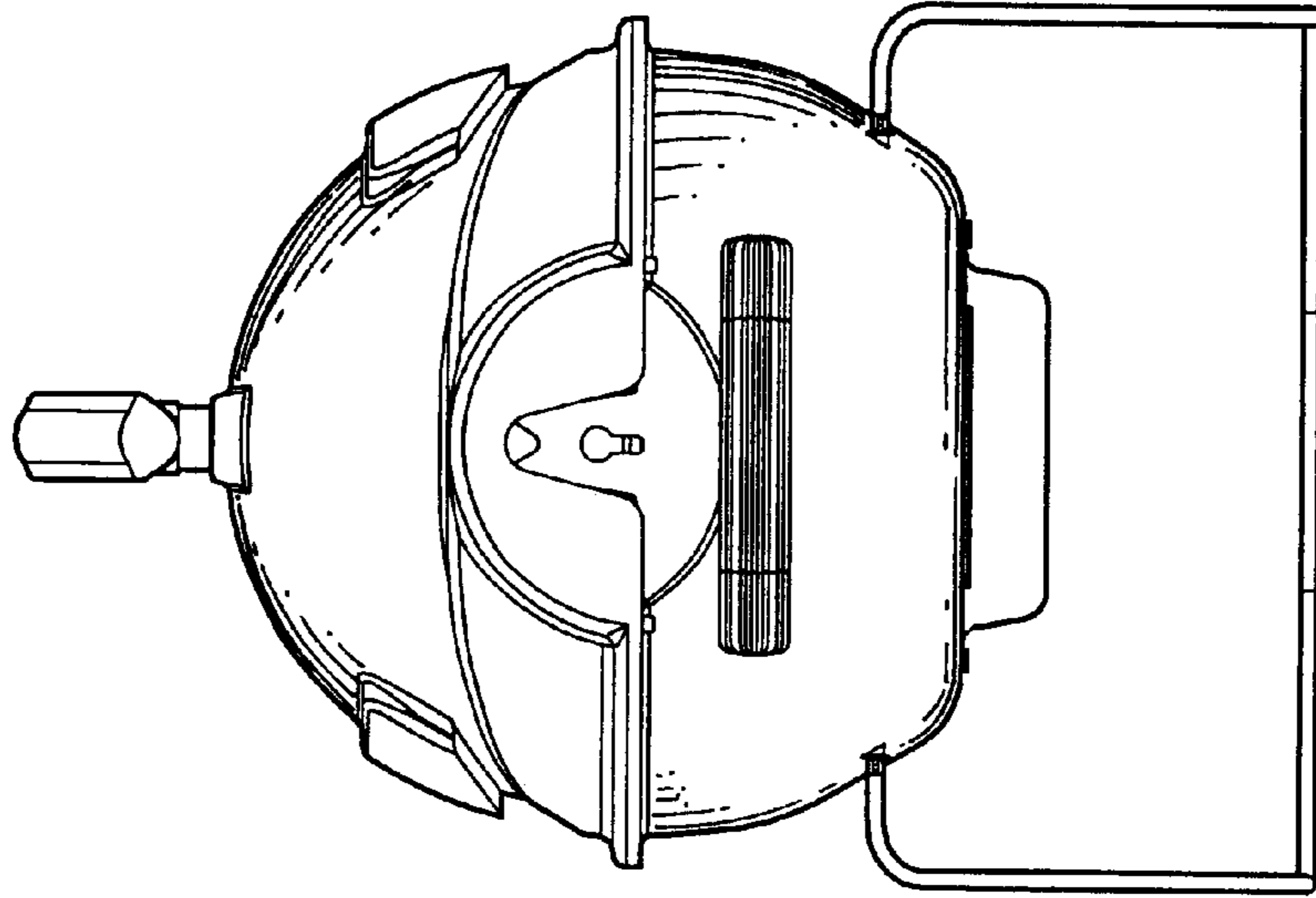


Fig.4

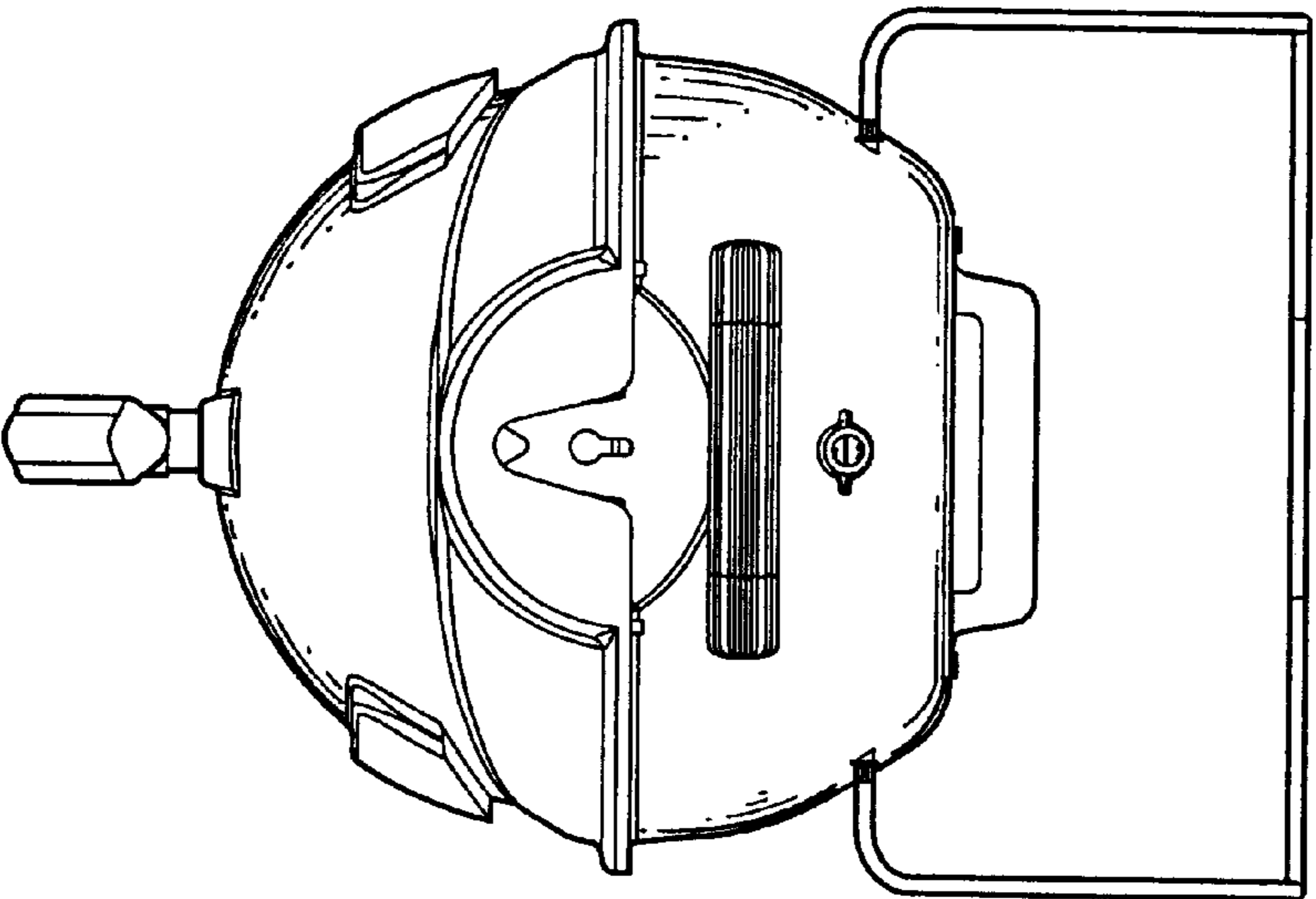


Fig.5

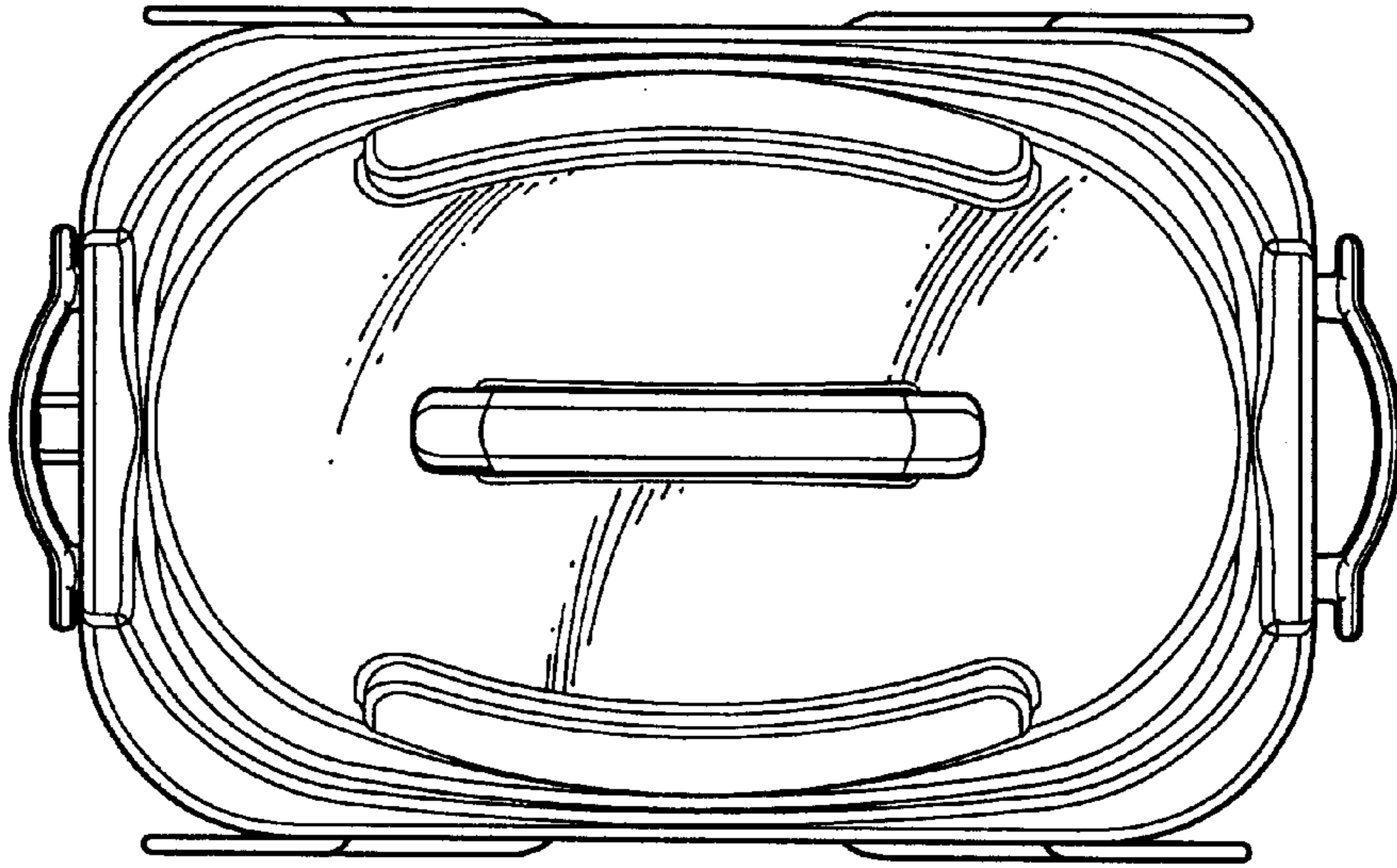


Fig.6

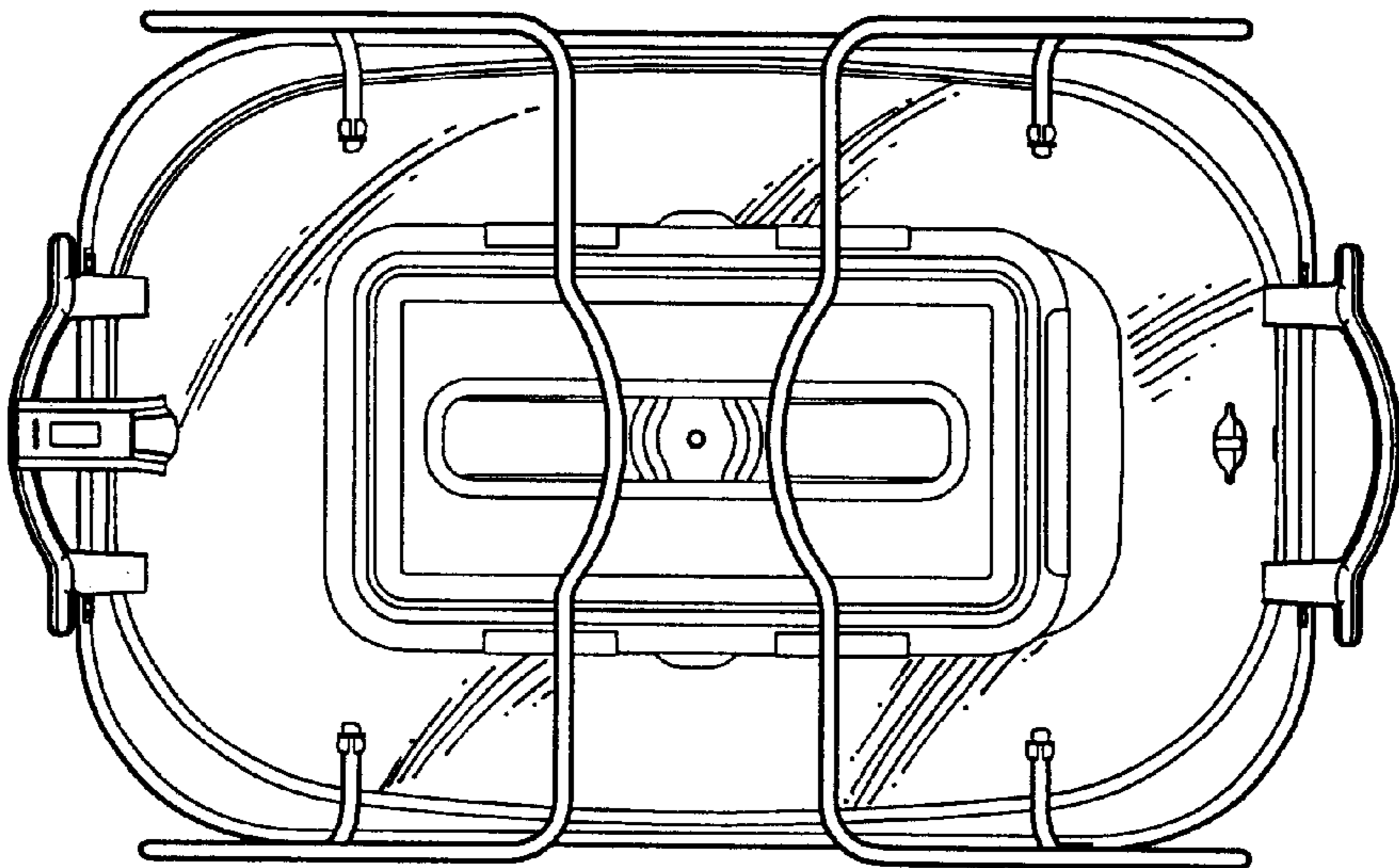


Fig.7