



US00D468149S

(12) **United States Design Patent**
Surles

(10) **Patent No.:** **US D468,149 S**

(45) **Date of Patent:** **** Jan. 7, 2003**

(54) **COMBINED ONE AND TWO BURNER COOKER**

(76) **Inventor:** **William R. Surles**, P.O. Box 2403,
Lillington, NC (US) 27546

(**) **Term:** **14 Years**

(21) **Appl. No.:** **29/147,163**

(22) **Filed:** **Aug. 24, 2001**

(51) **LOC (7) Cl.** **07-02**

(52) **U.S. Cl.** **D7/334**

(58) **Field of Search** D7/332-337, 402-405;
126/25 R, 25 A, 25 AA, 29-30, 33, 38,
41 R; 99/421 H, 419, 427, 449

(56) **References Cited**

U.S. PATENT DOCUMENTS

2,838,991 A	6/1958	Kleinmann et al.	
3,212,426 A	10/1965	Lewus	
3,275,393 A	9/1966	Stentz et al.	
D227,178 S	6/1973	Duning	
3,748,437 A	7/1973	Keeshin et al.	
D229,661 S	* 12/1973	Lambertson D7/334
3,892,222 A	7/1975	Darbo	
4,320,736 A	3/1982	Sharon	
D285,522 S	* 9/1986	Basini D7/334

4,635,614 A	*	1/1987	Segroves	126/41 R
D360,803 S	*	8/1995	Dutro et al.	D7/332
D449,491 S	*	10/2001	Measom	D7/334
D450,524 S	*	11/2001	Measom	D7/332

* cited by examiner

Primary Examiner—Ruth McInroy

(74) *Attorney, Agent, or Firm*—Donald R. Schoonover

(57) **CLAIM**

I claim the ornamental design for a combined one and two burner cooker, as shown and described.

DESCRIPTION

FIG. 1 is a perspective view of a combined one and two burner cooker showing my new design in a one burner configuration;

FIG. 2 is a front elevational view thereof;

FIG. 3 is a rear elevational view thereof;

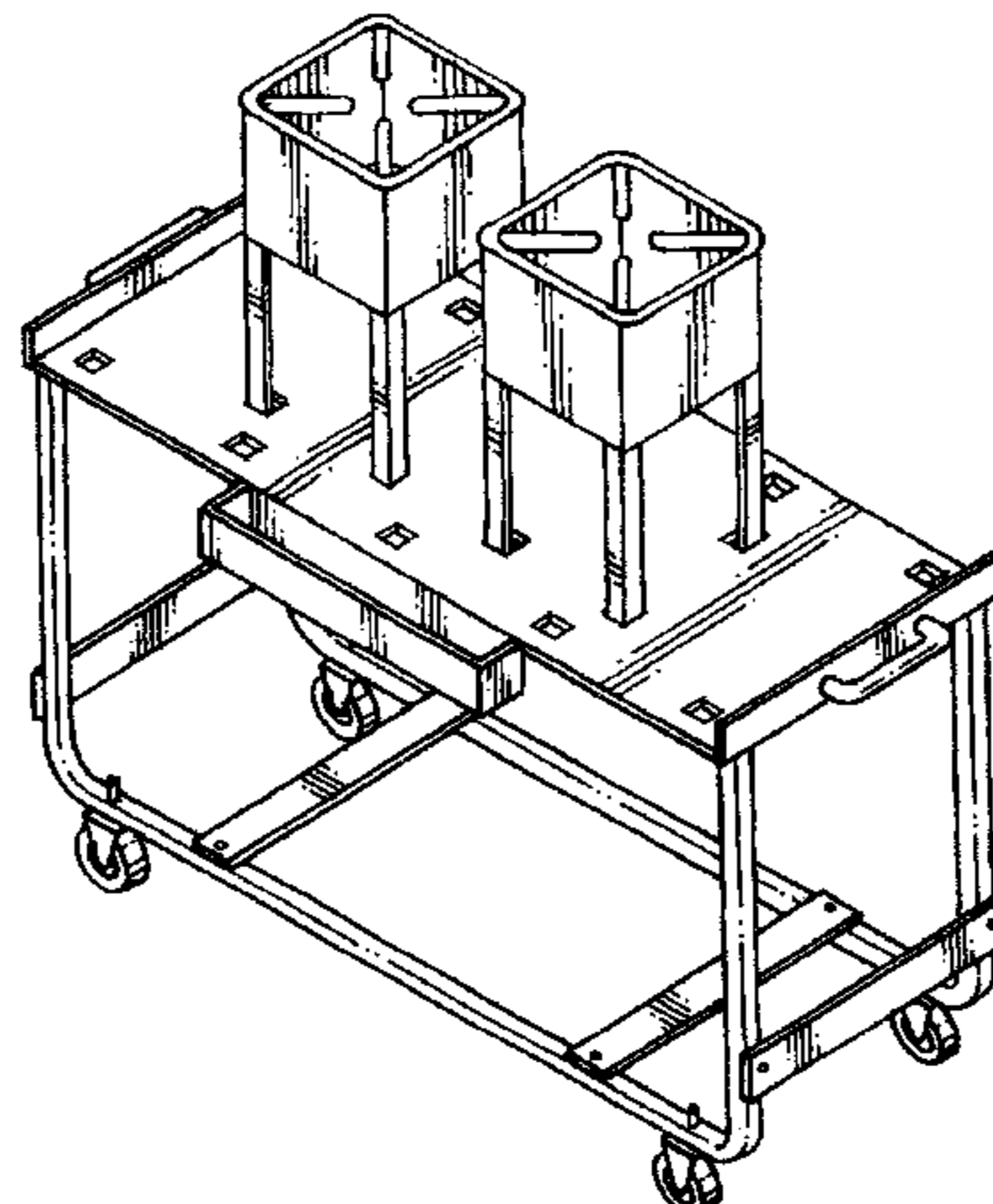
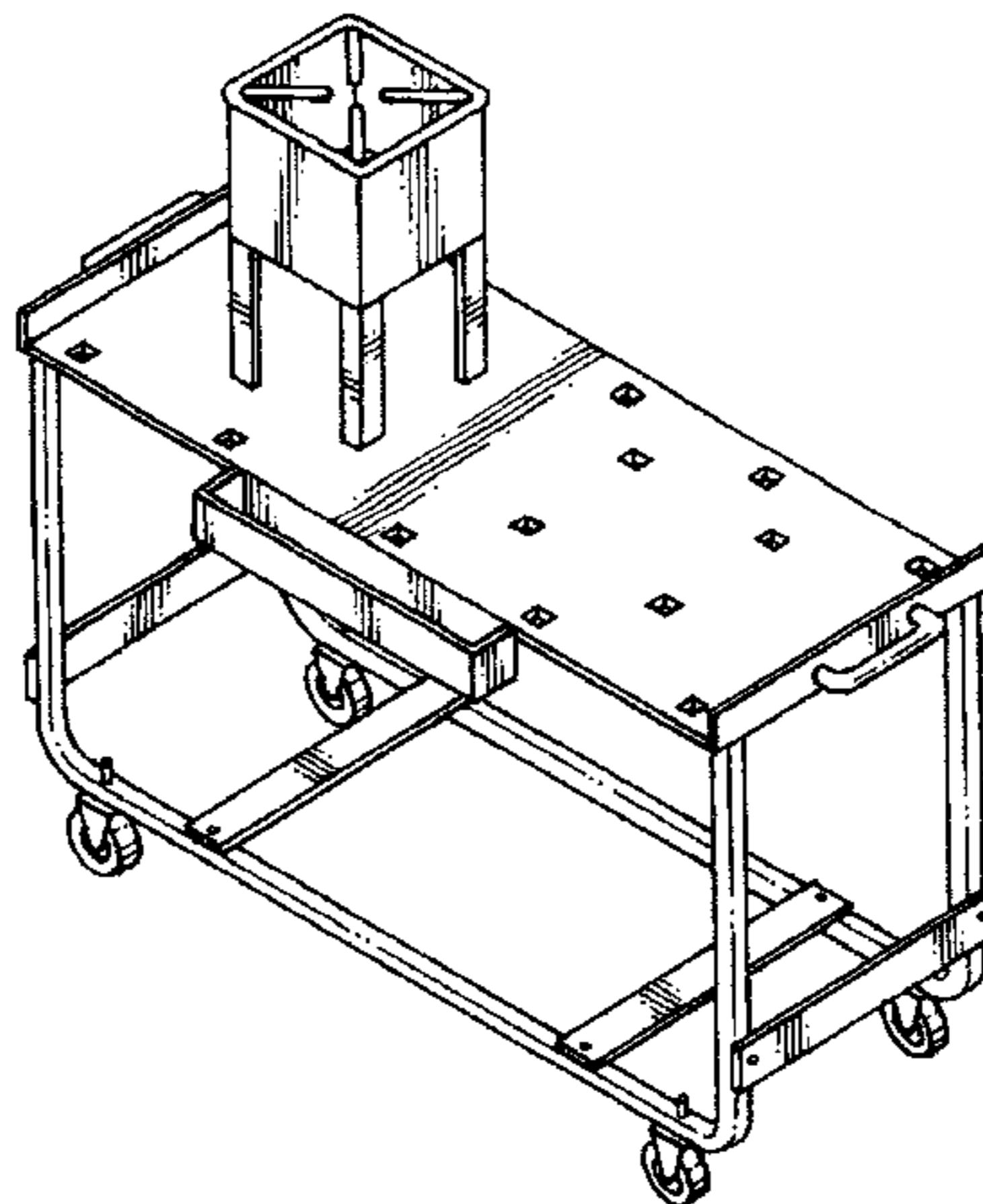
FIG. 4 is a left side elevational view thereof, the right side elevational view being a mirror image thereof;

FIG. 5 is a top plan view thereof;

FIG. 6 is a bottom plan view thereof; and,

FIG. 7 is a perspective view of a second embodiment thereof, showing a two burner configuration.

1 Claim, 5 Drawing Sheets



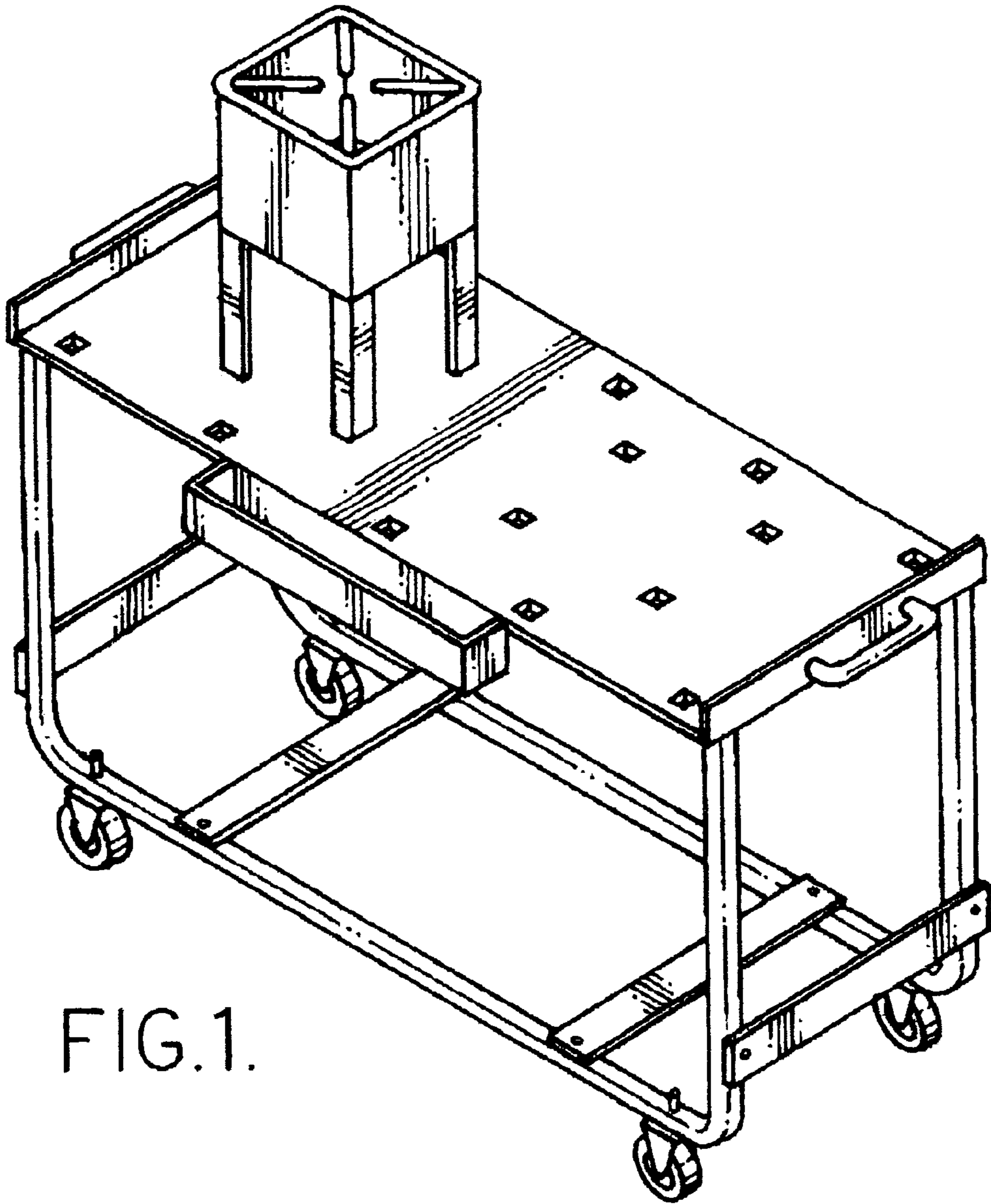


FIG. 1.

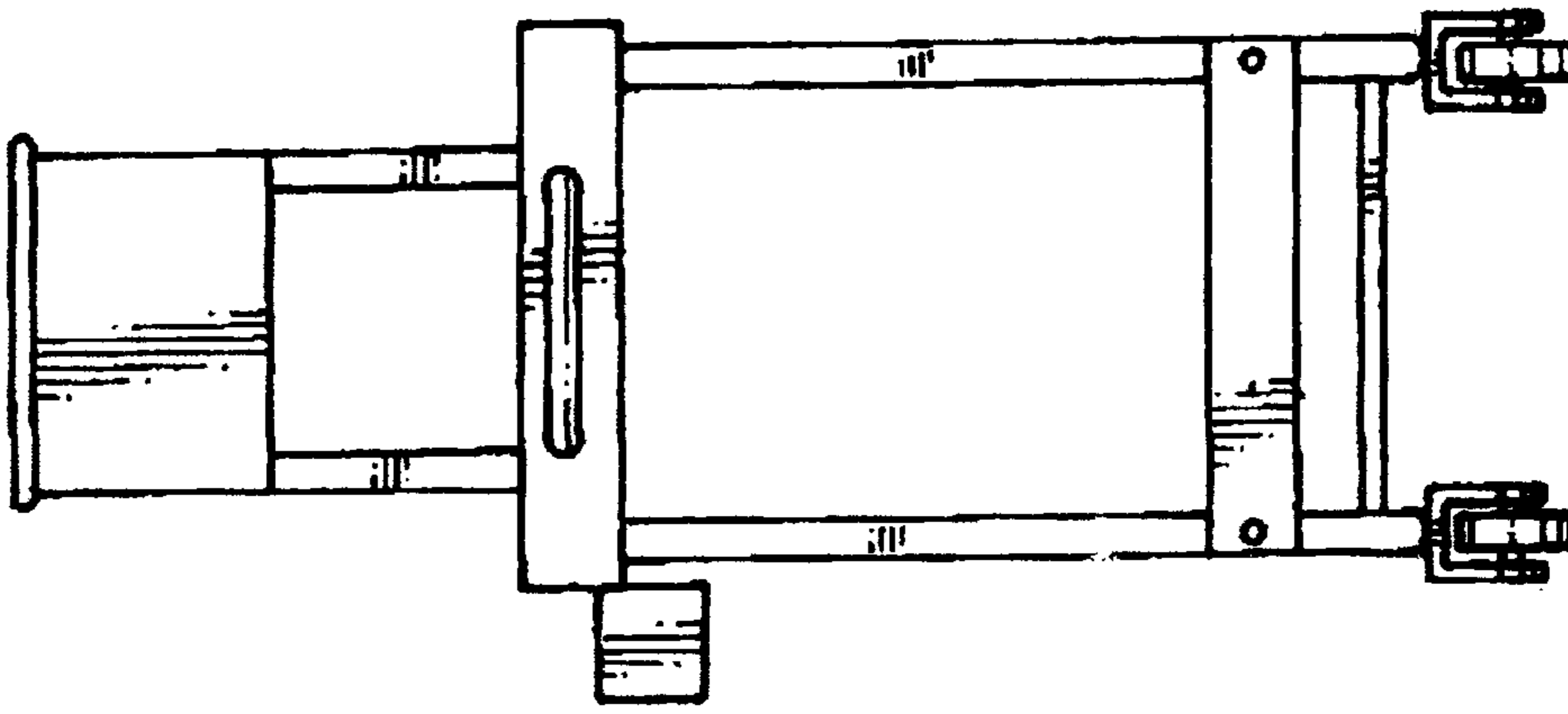


FIG.4.

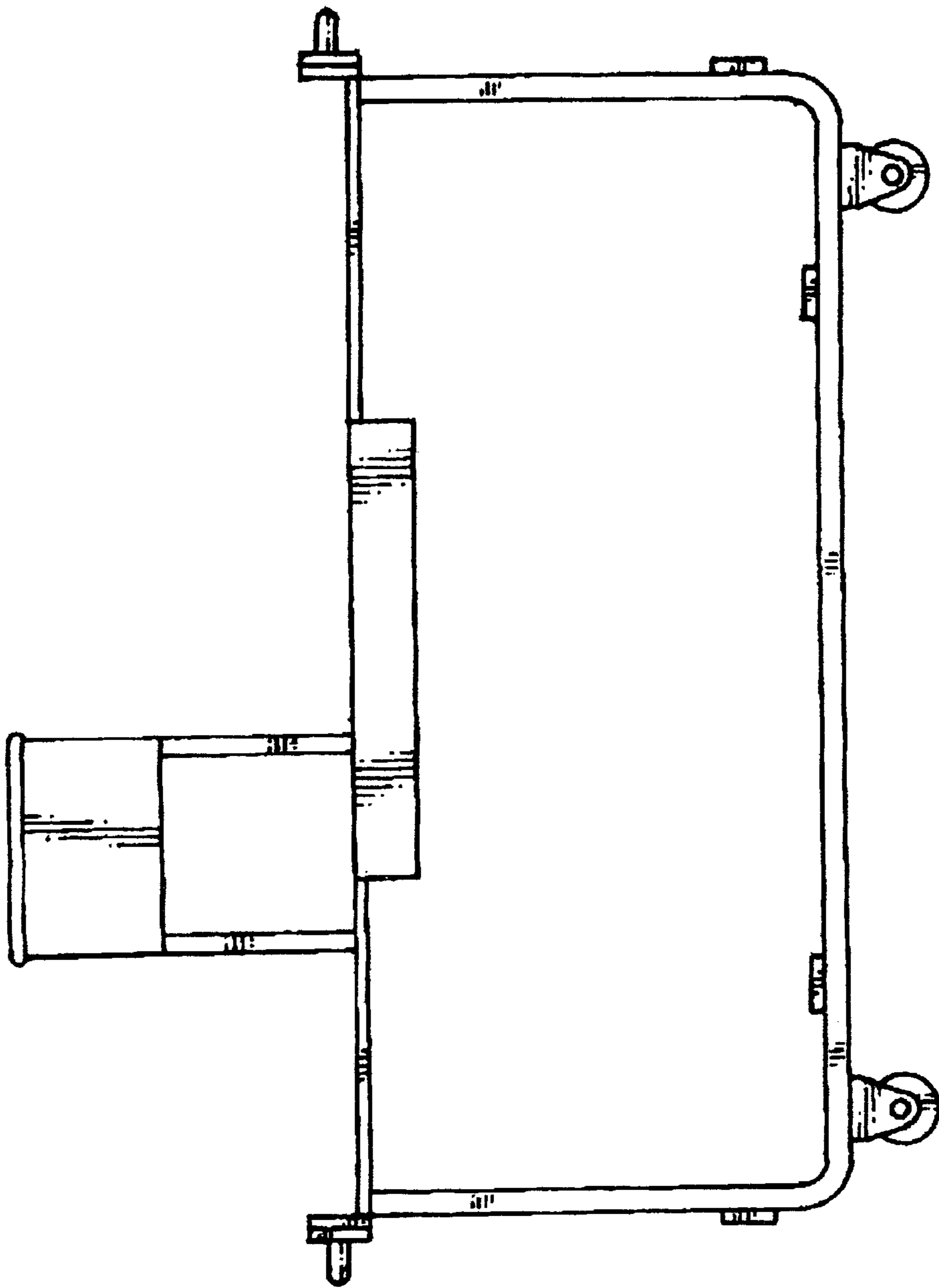


FIG.2.

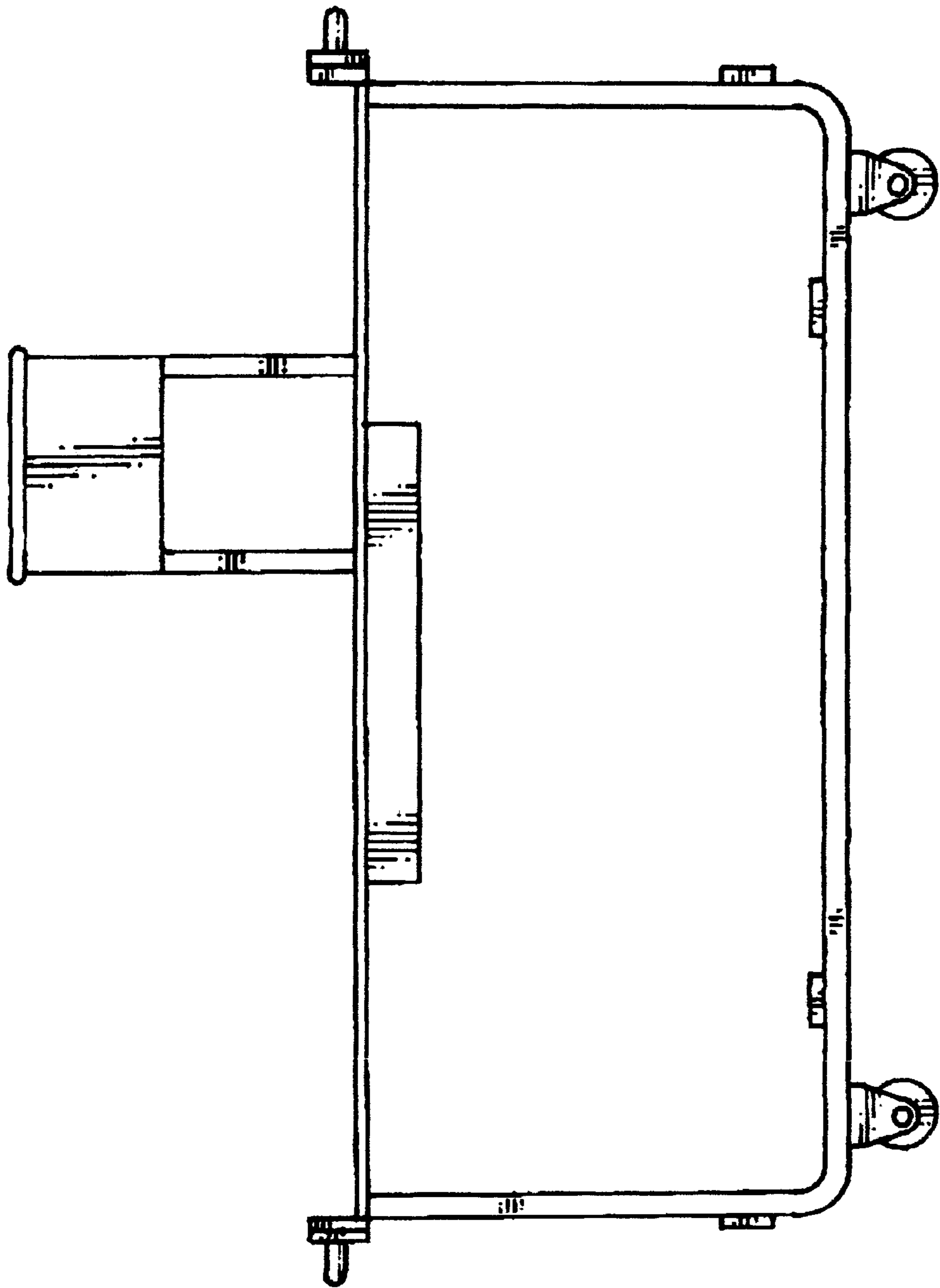


FIG. 3.

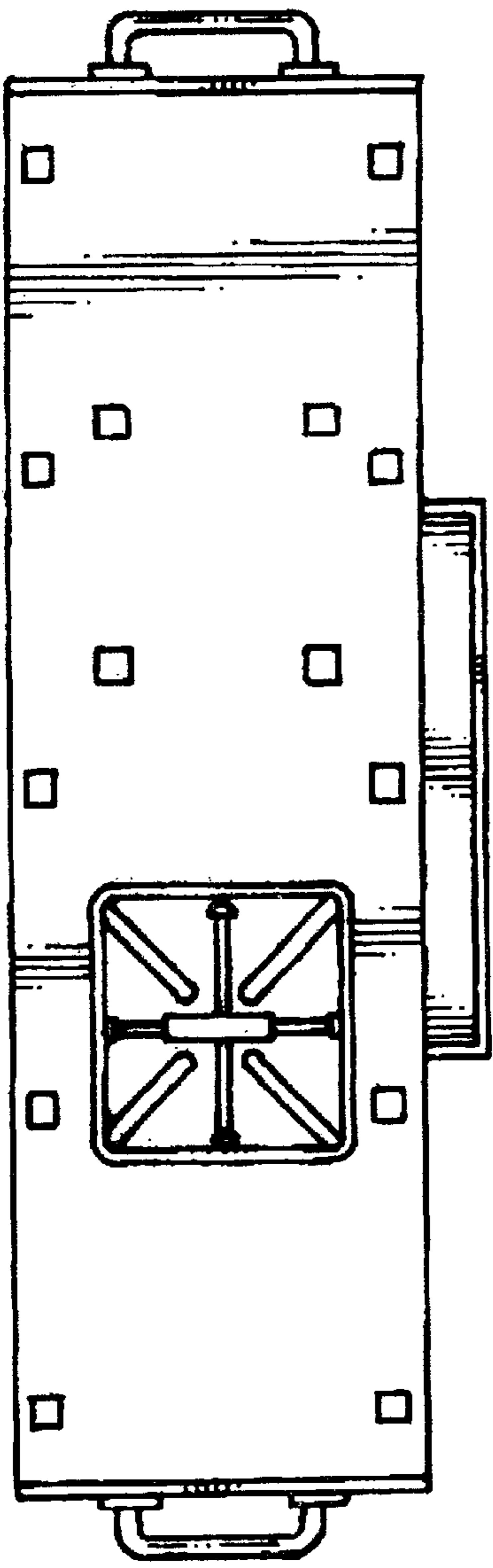


FIG. 5.

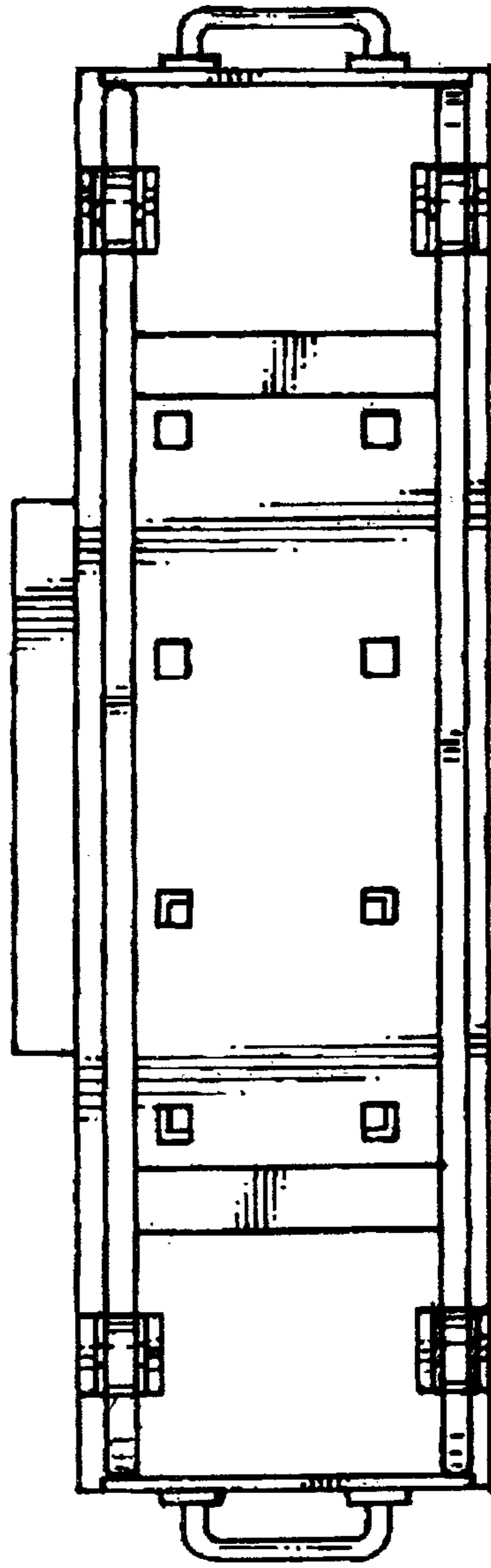


FIG. 6.

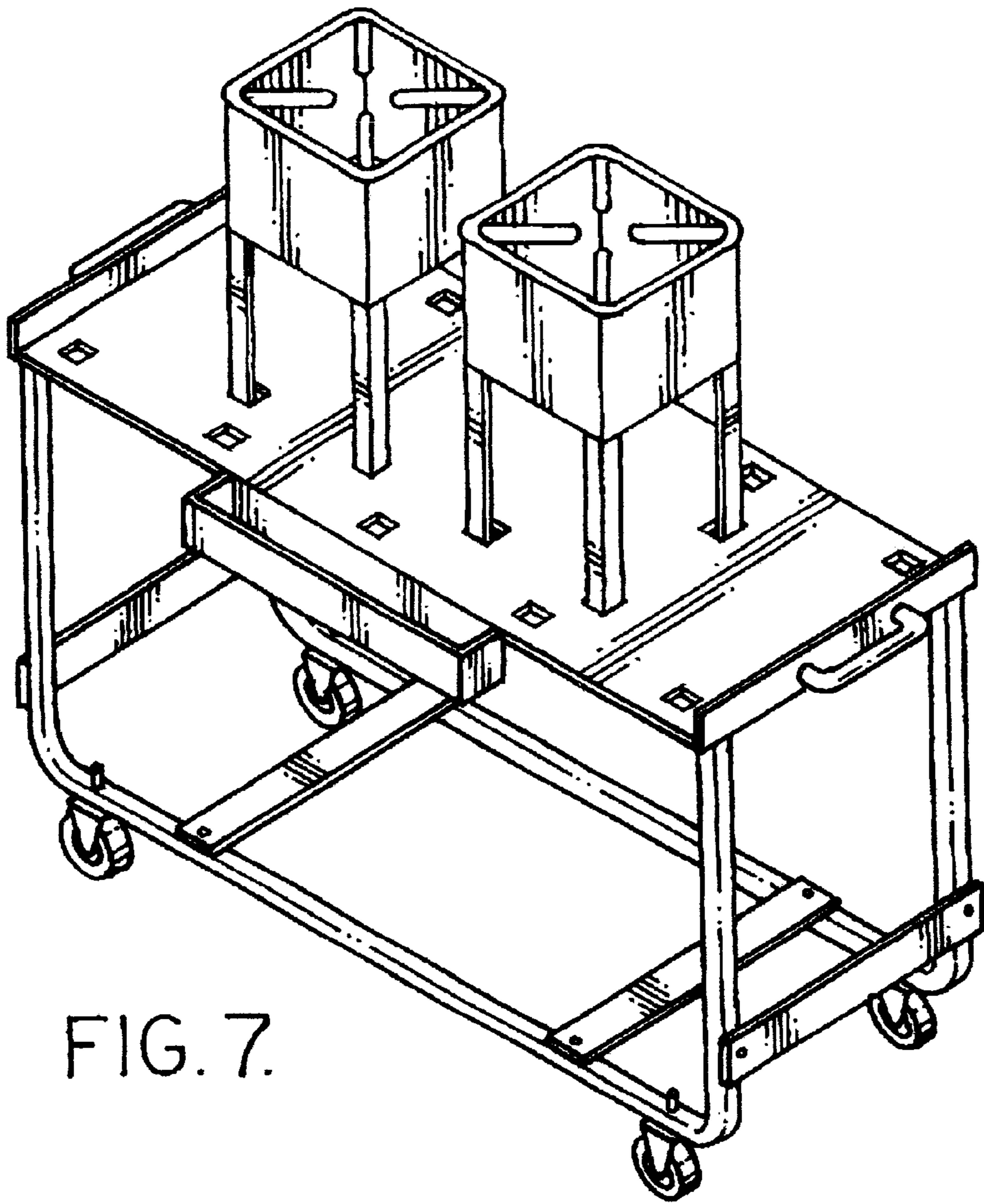


FIG. 7.