



US00D468147S

(12) **United States Design Patent** (10) **Patent No.:** **US D468,147 S**
Werner (45) **Date of Patent:** **** Jan. 7, 2003**

(54) **DISPLAY TOWER WITH A SWIVEL BASE**

Primary Examiner—Cathron C. Brooks
(74) *Attorney, Agent, or Firm*—Howard C. Miskin, Esq.;
Gloria Tsui-Yip, Esq.

(75) **Inventor:** **Keith Werner**, Hartford, CT (US)

(73) **Assignee:** **Kolo, LLC**, Hartford, CT (US)

(**) **Term:** **14 Years**

(57) **CLAIM**

The ornamental design for a display tower with a swivel base, as shown and described.

(21) **Appl. No.:** **29/163,403**

(22) **Filed:** **Jul. 3, 2002**

(51) **LOC (7) Cl.** **06-04**

DESCRIPTION

(52) **U.S. Cl.** **D6/629; D6/468**

(58) **Field of Search** D6/407, 629, 630,
D6/467, 468, 450, 453, 474, 462, 465,
466; 206/307, 307.1, 308.1; 211/40, 41.1,
41.2, 41.12; 312/9.1, 9.55, 9.64, 348.3,
9.9, 9.47, 9.48, 9.51, 9.52, 9.53, 9.54, 9.56

FIG. 1 is a perspective view of my new design;
FIG. 2 is a right side view, the left side view being a mirror
image thereof;
FIG. 3 is a front elevational view, the rear elevational view
being identical;
FIG. 4 is a top plan view;
FIG. 5 is a bottom plan view thereof; and,
FIG. 6 is a perspective of a second embodiment of my new
design.

(56) **References Cited**

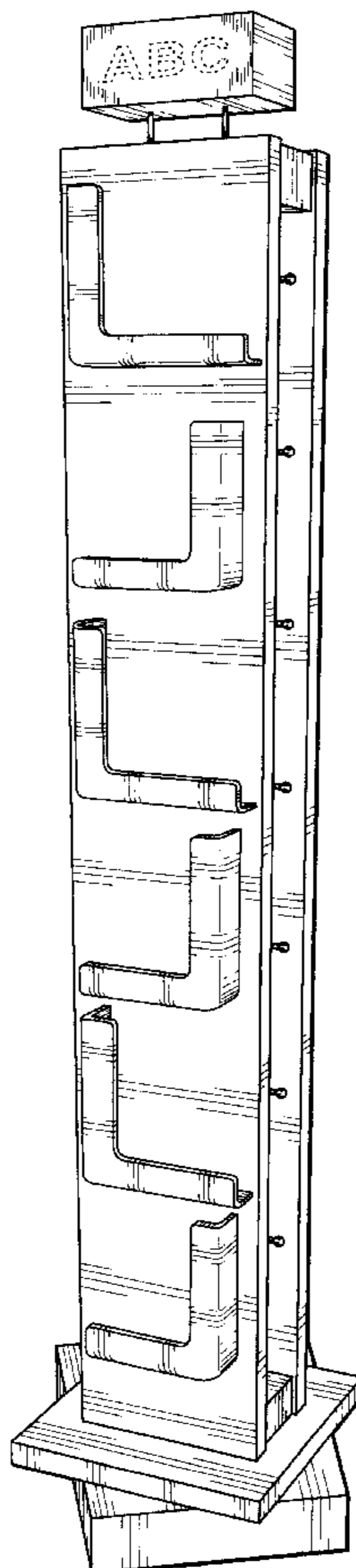
U.S. PATENT DOCUMENTS

D224,498 S	*	8/1972	White	D6/629
D333,225 S	*	2/1993	Robinson	D6/407
D364,066 S	*	11/1995	Haskett et al.	D6/629
D444,964 S	*	7/2001	Lung et al.	D6/454

The broken line showing of text and graphic in FIGS. 1 and
3 is for illustrative purposes only and forms no part of the
claimed design.

* cited by examiner

1 Claim, 5 Drawing Sheets



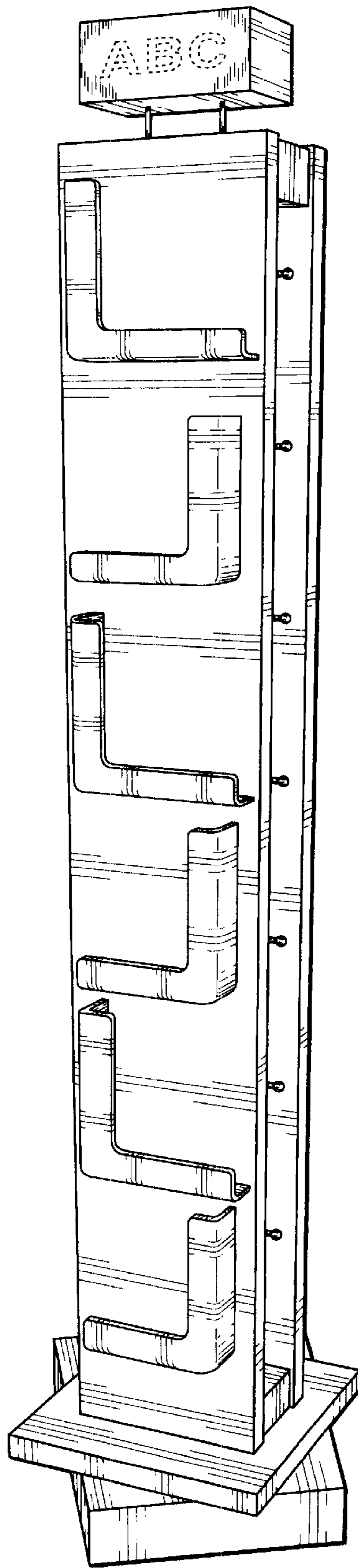


FIG. 1

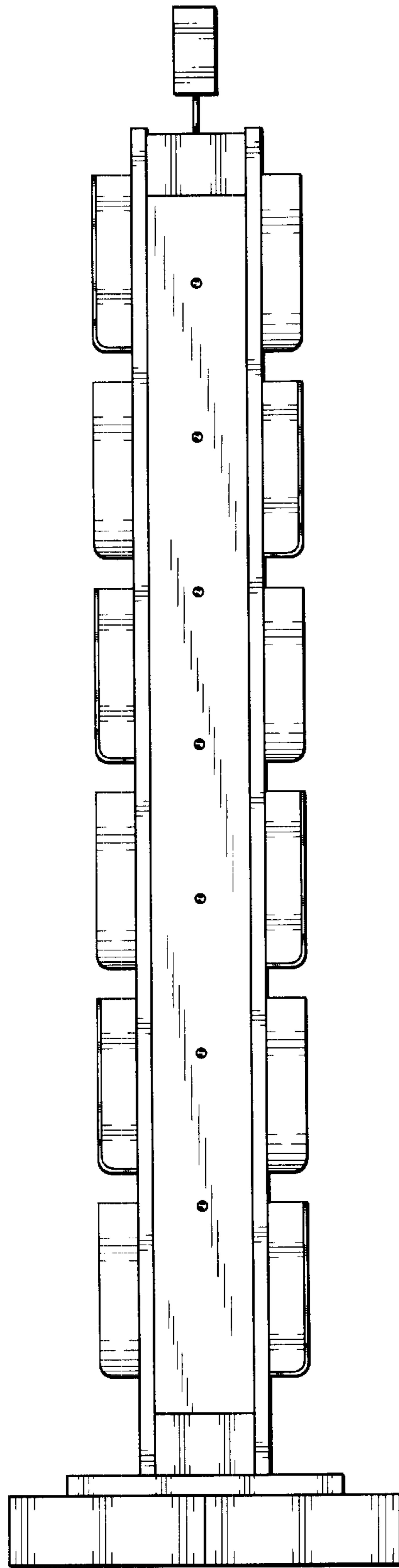


FIG. 2

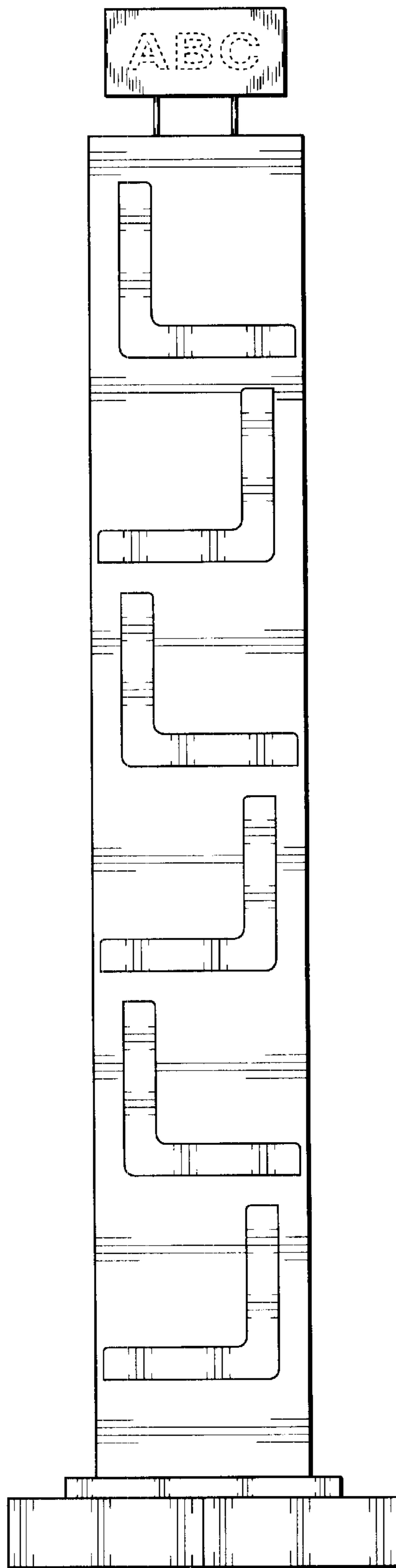


FIG. 3

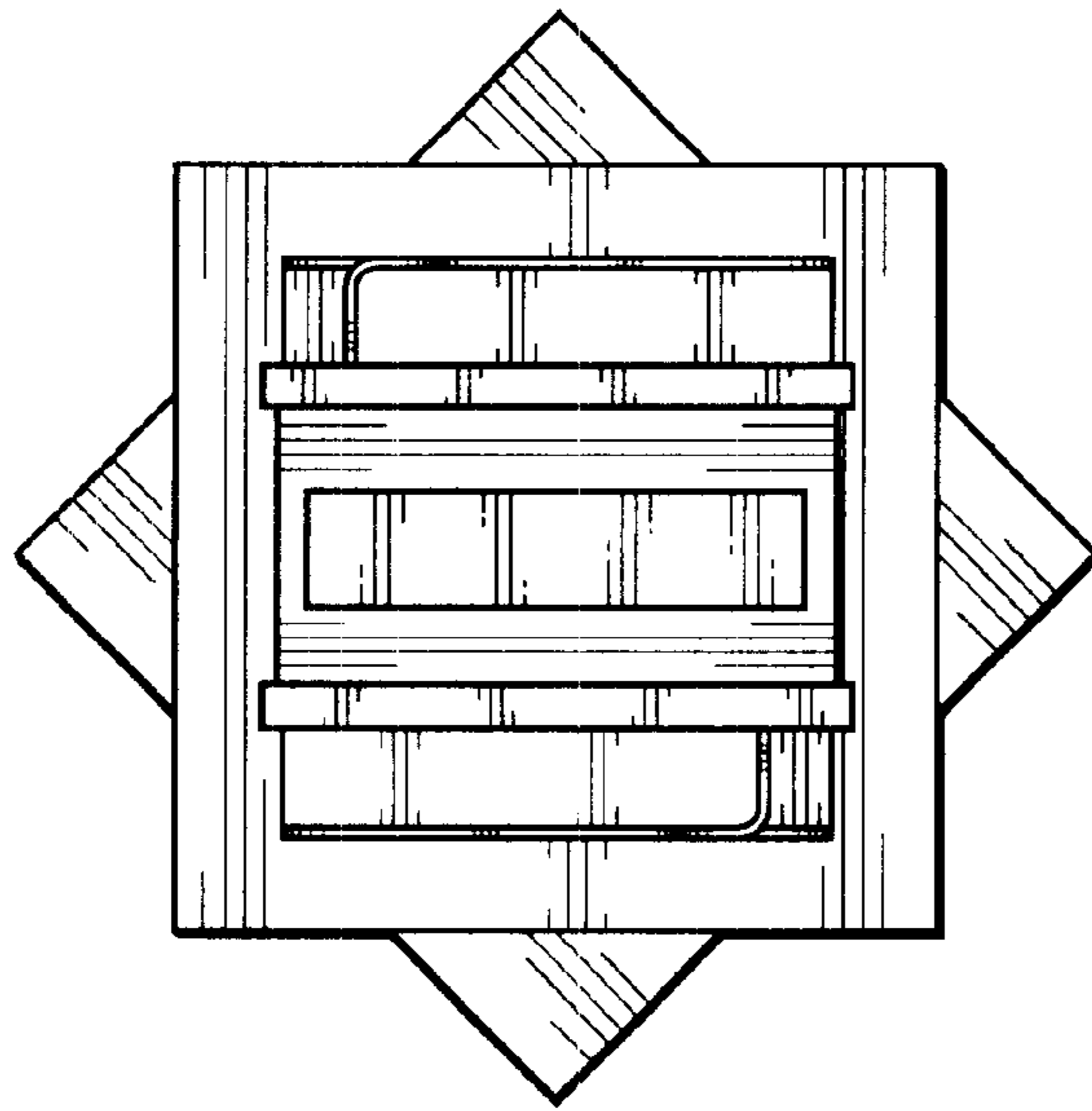


FIG. 4

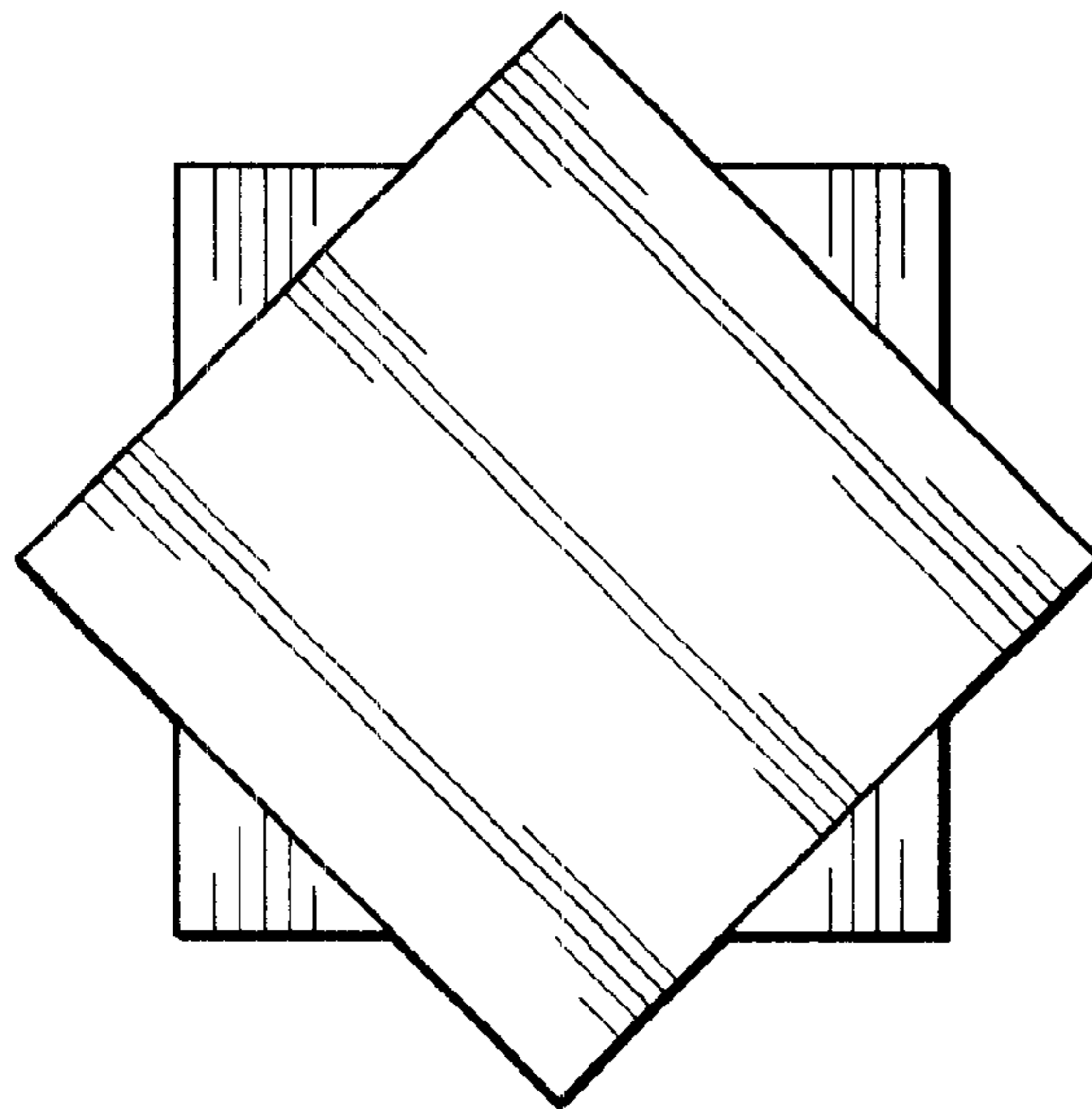


FIG. 5

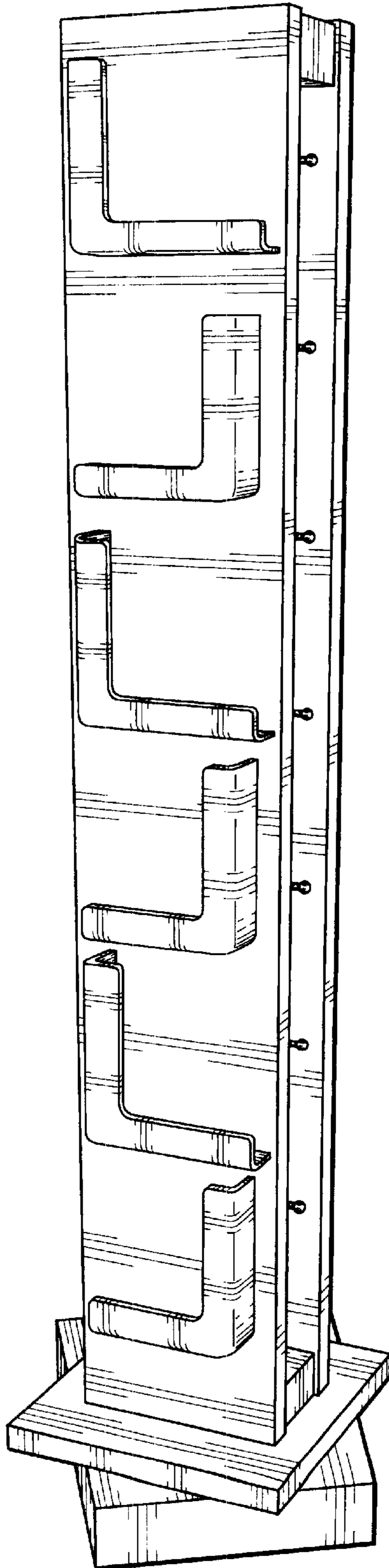


FIG. 6