



US00D468146S

(12) **United States Design Patent**
Hoernig

(10) **Patent No.:** **US D468,146 S**

(45) **Date of Patent:** **** Jan. 7, 2003**

(54) **WALL MOUNTED TRAY**

(75) **Inventor:** **Victor Hoernig**, Lowell, IN (US)

(73) **Assignee:** **Bath Unlimited, Inc.**, Fort Mill, SC (US)

(**) **Term:** **14 Years**

(21) **Appl. No.:** **29/144,482**

(22) **Filed:** **Jul. 3, 2001**

(51) **LOC (7) Cl.** **06-04**

(52) **U.S. Cl.** **D6/574**

(58) **Field of Search** D6/574, 553, 567,
D6/524, 525, 532, 535, 536, 540; 108/27;
206/77.1; 211/13.1, 71.01, 75, 86.01, 87.01,
88.01, 90.01, 126.1, 134

(56) **References Cited**

U.S. PATENT DOCUMENTS

D256,746 S * 9/1980 Loveson D6/574
D295,129 S * 4/1988 Chap D6/574 X

D391,796 S * 3/1998 Chen D6/574
D397,898 S * 9/1998 Walters-Dowding et al. D6/574
D450,969 S * 11/2001 Lai D6/574

* cited by examiner

Primary Examiner—Brian N. Vinson

(74) *Attorney, Agent, or Firm*—Edgar A. Zarins; Lloyd D. Doigan

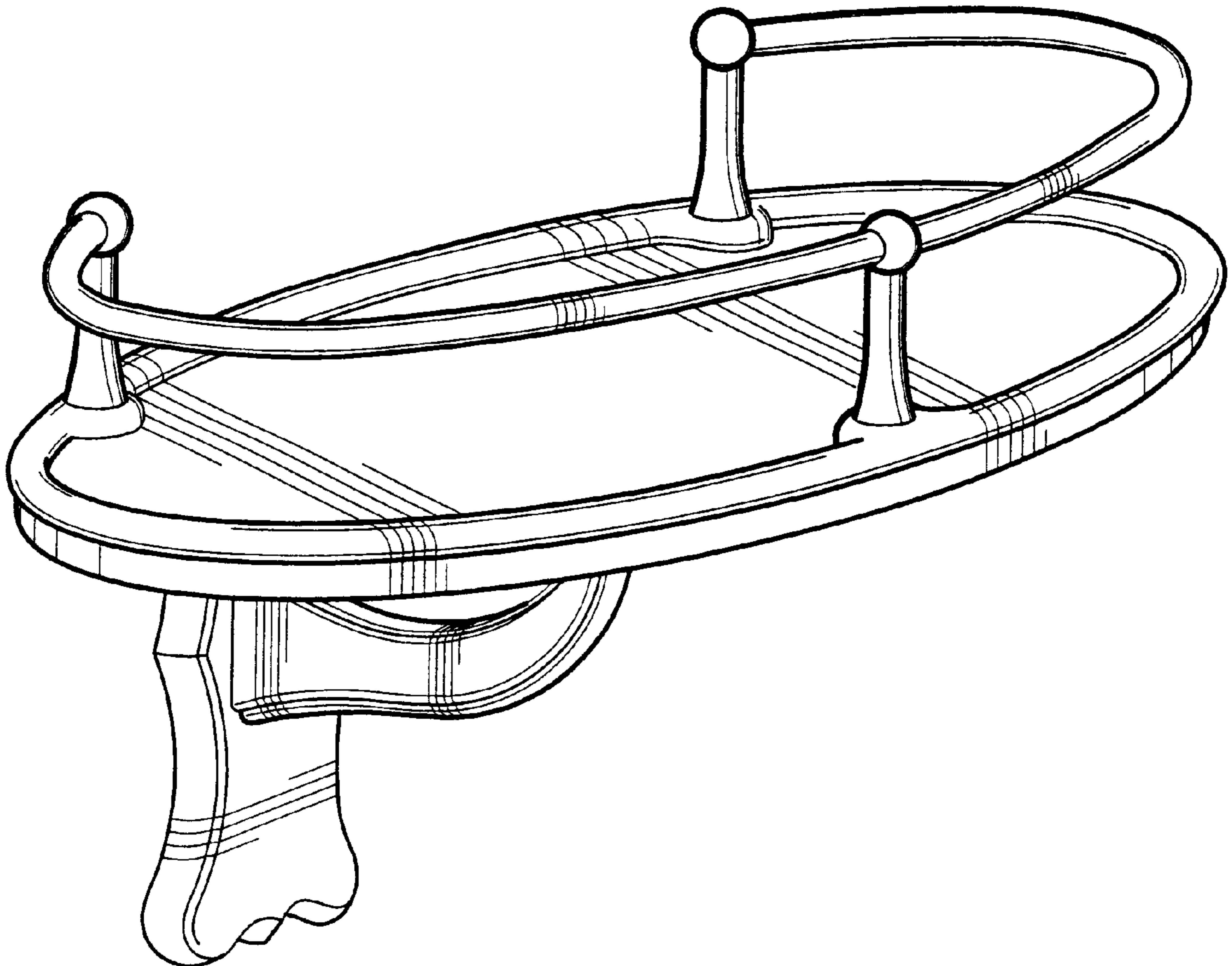
(57) **CLAIM**

The ornamental design for a wall mounted tray, as shown and described.

DESCRIPTION

FIG. 1 is a perspective view of a wall mounted tray showing my new design;
FIG. 2 is a top plan view thereof;
FIG. 3 is a bottom plan view thereof;
FIG. 4 is a right side view thereof;
FIG. 5 is a left side view thereof;
FIG. 6 is a front elevational view thereof; and,
FIG. 7 is a rear elevational view thereof.

1 Claim, 4 Drawing Sheets



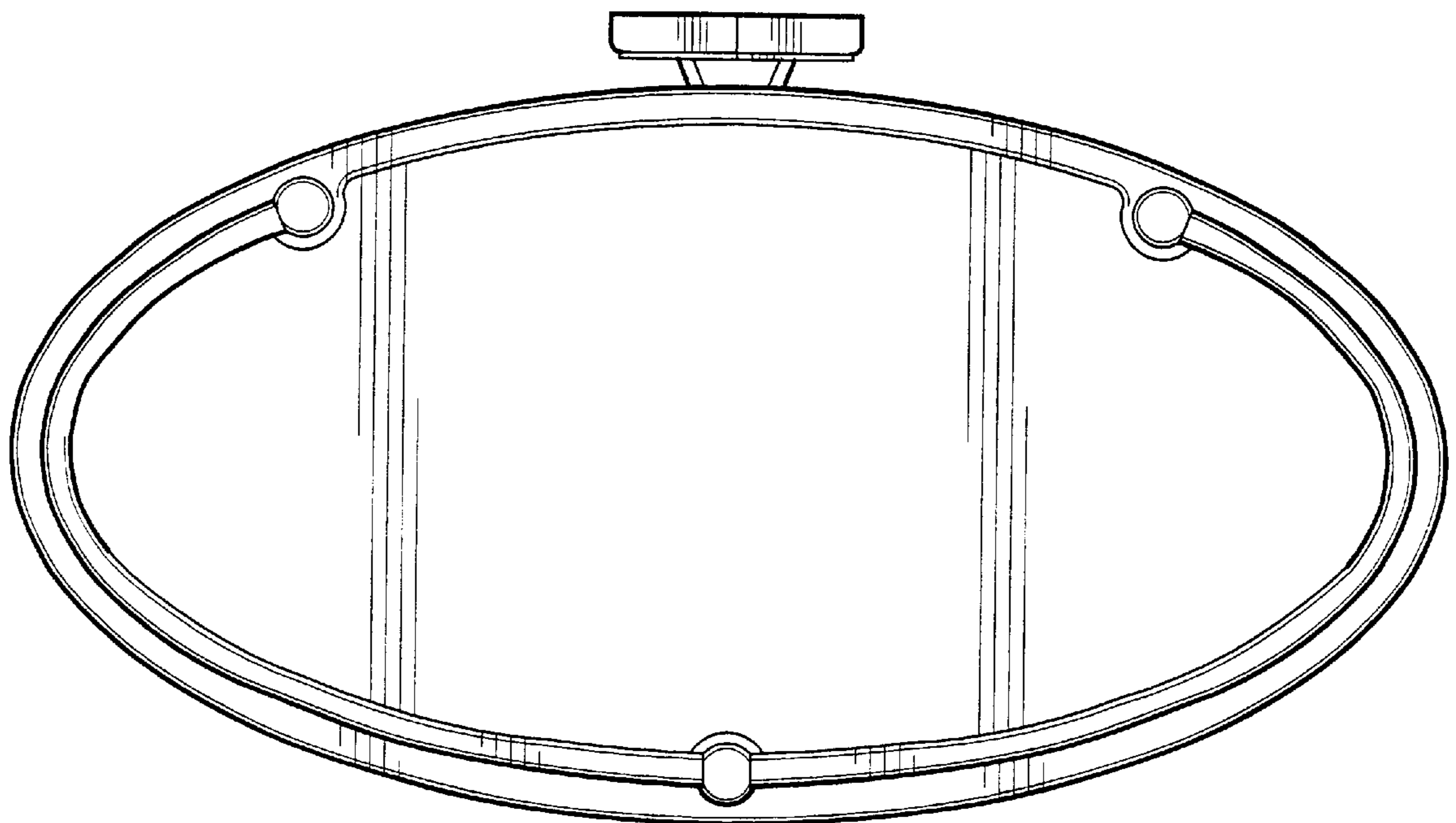
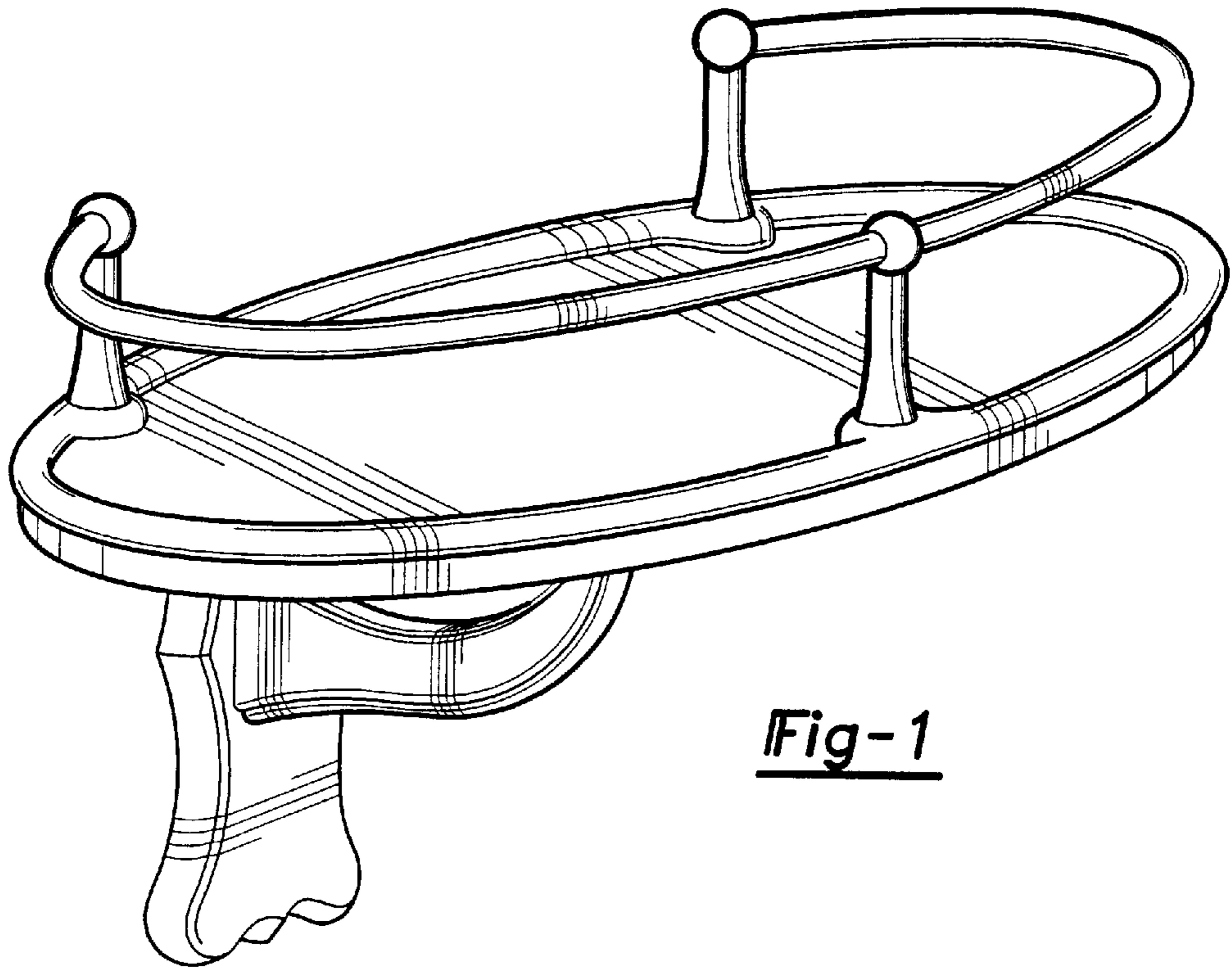


Fig-2

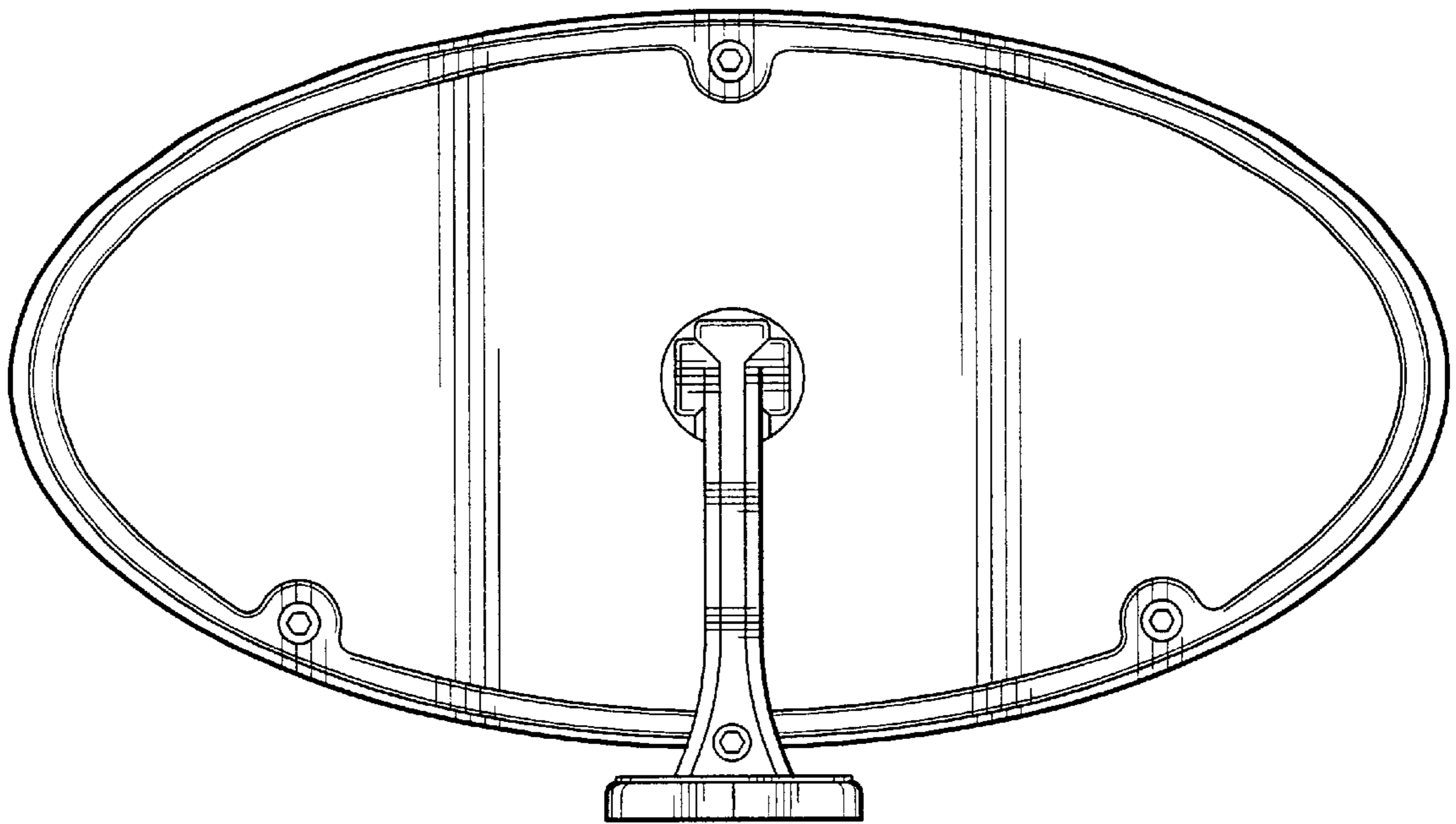


Fig-3

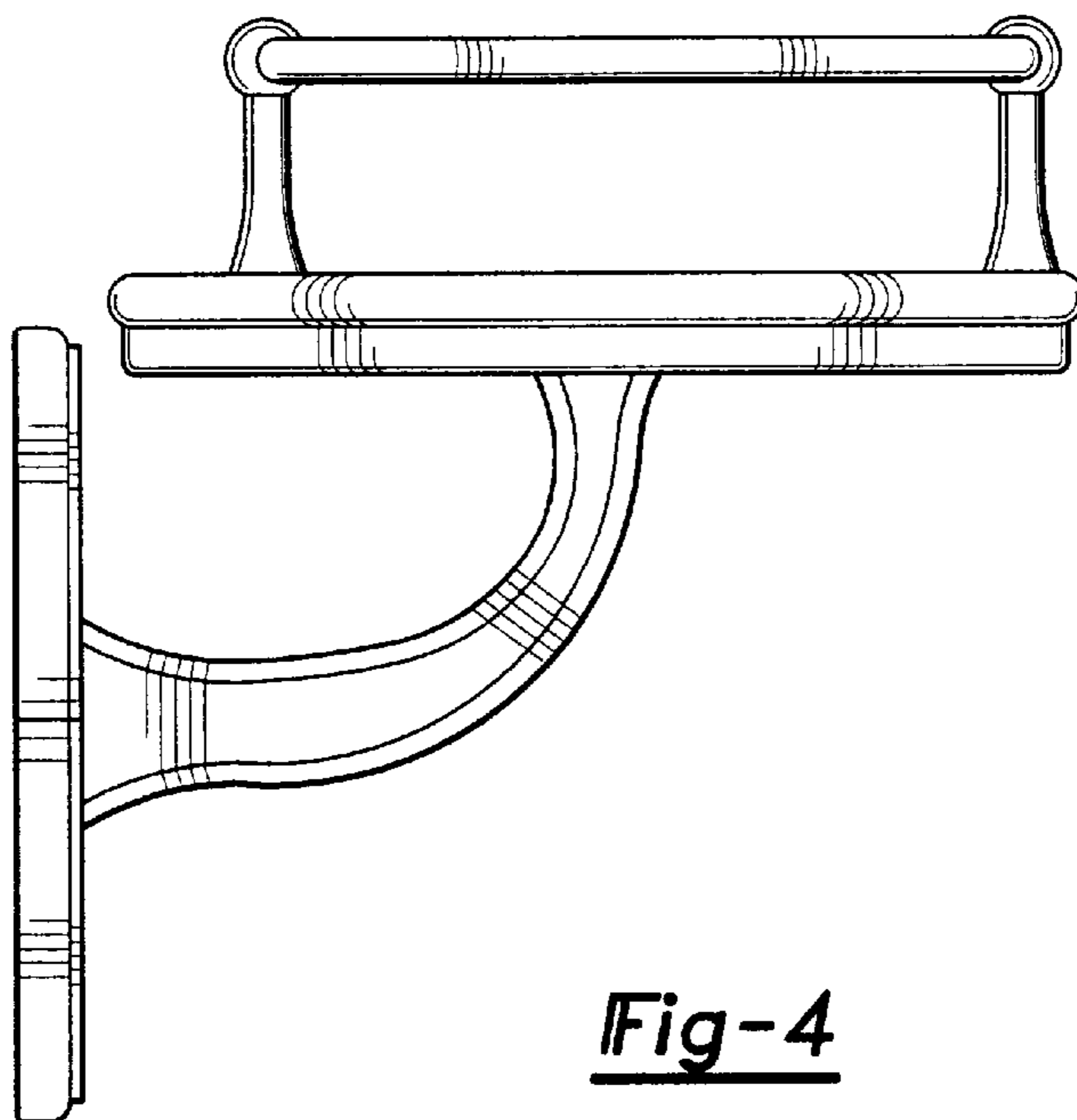


Fig-4

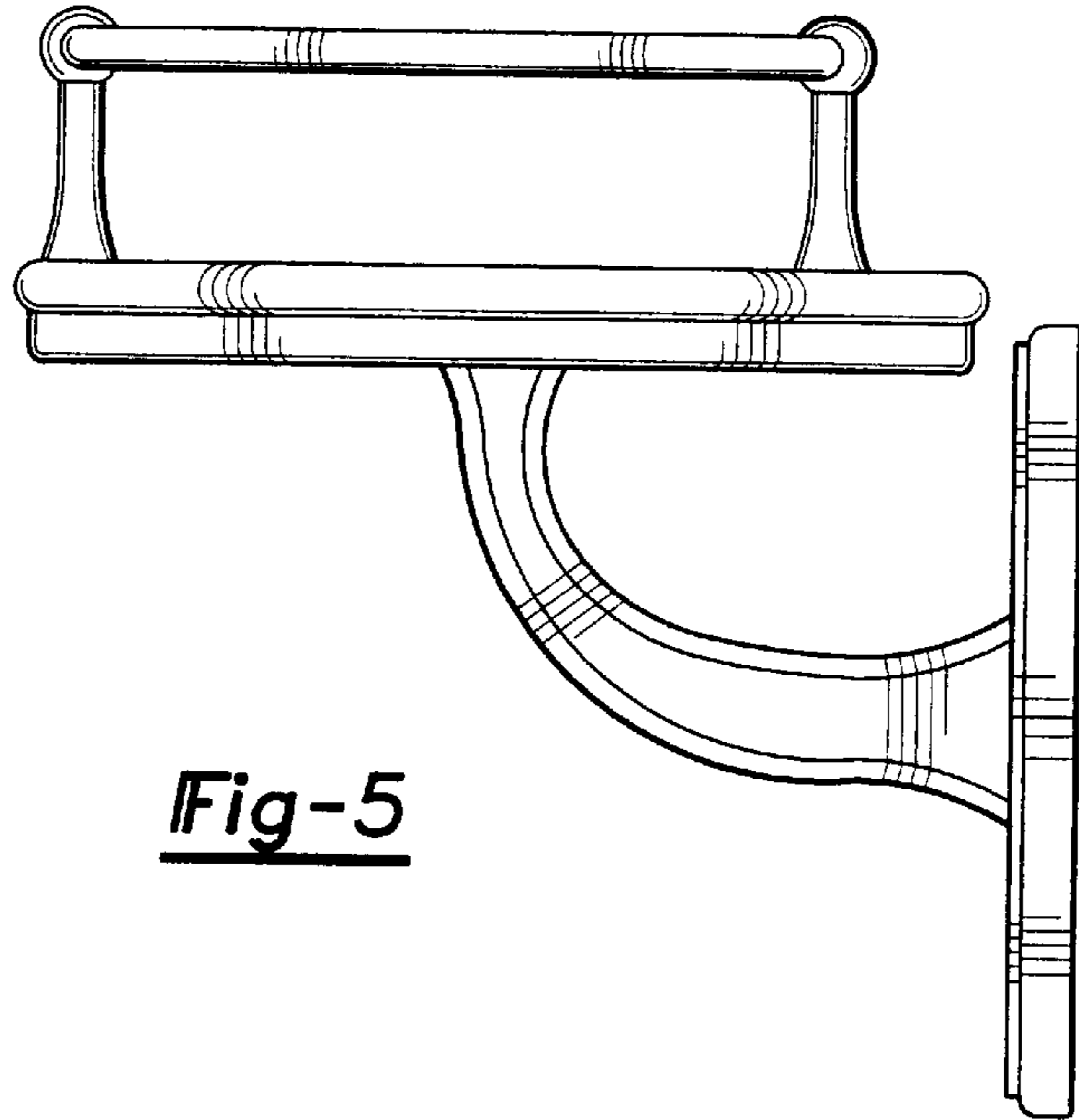


Fig-5

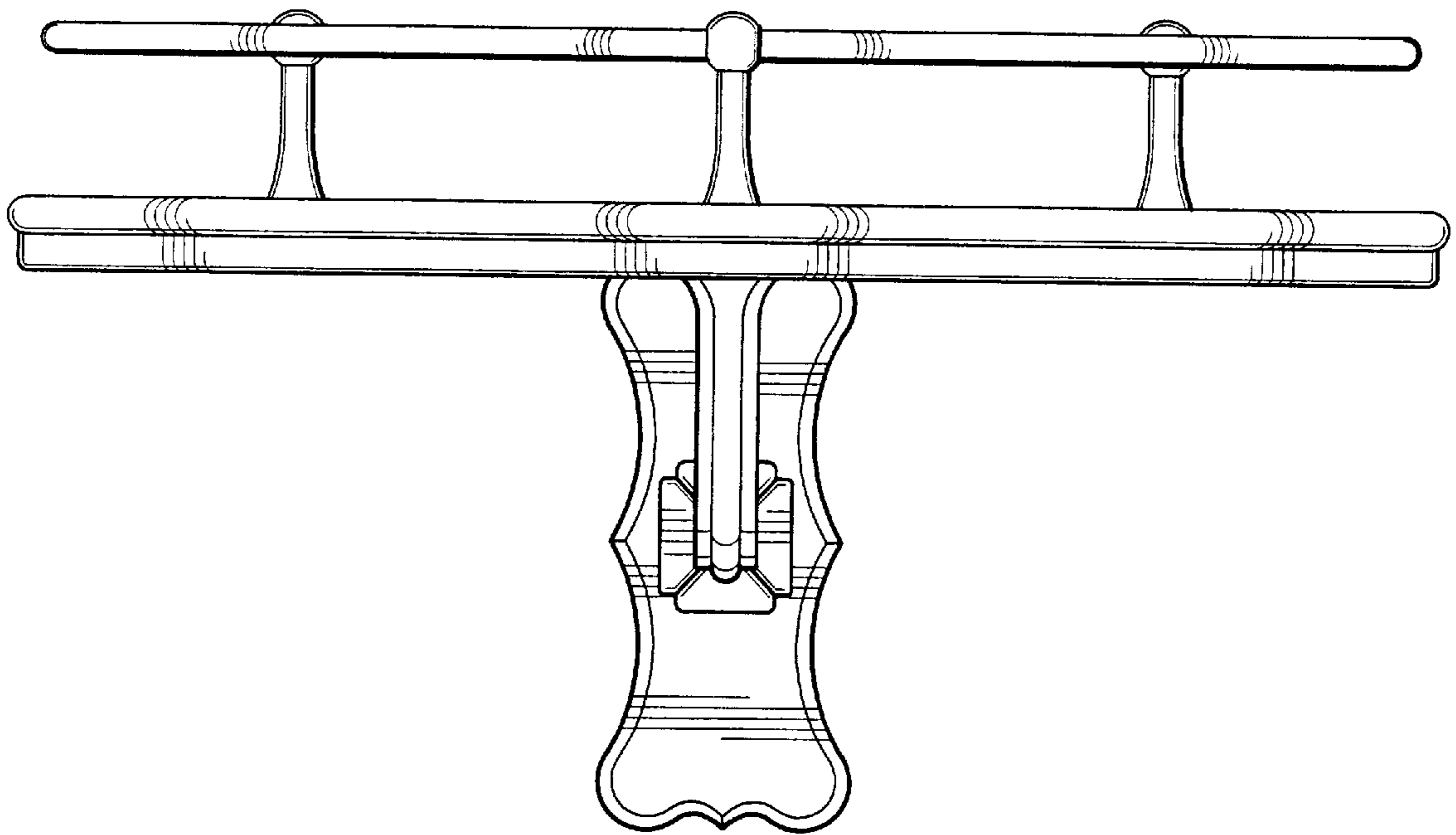


Fig-6

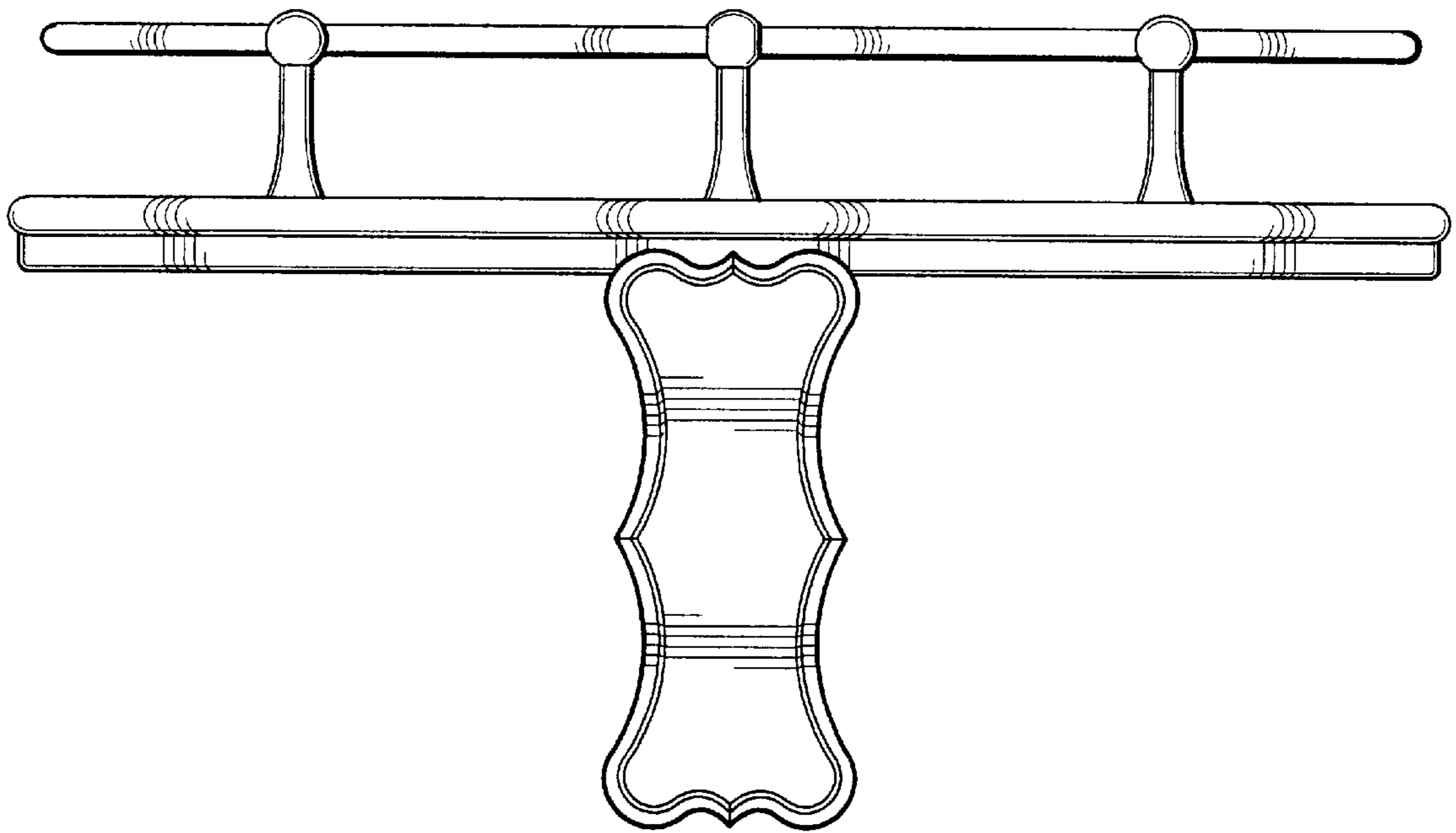


Fig-7