



US00D468141S

(12) **United States Design Patent**
DiPersia

(10) **Patent No.: US D468,141 S**

(45) **Date of Patent: ** Jan. 7, 2003**

(54) **DECORATIVE ELEMENT FOR FURNITURE**

(75) Inventor: **James L. DiPersia**, Closter, NJ (US)

(73) Assignee: **Excelsior Designs, Inc.**

(**) Term: **14 Years**

(21) Appl. No.: **29/137,965**

(22) Filed: **Mar. 5, 2001**

(51) **LOC (7) Cl. 06-06**

(52) **U.S. Cl. D6/509; D6/491; D6/505**

(58) **Field of Search D6/432-448, 491,**
D6/505, 509; 312/138.1, 196, 204, 224,
238, 278, 279, 291

(56) **References Cited**

U.S. PATENT DOCUMENTS

D378,640 S	*	4/1997	Yeh	D6/505
D391,427 S	*	3/1998	Yeh	D6/505
D407,239 S	*	3/1999	Zaidman	D6/446
D416,719 S	*	11/1999	Zaidman	D6/505
D433,586 S	*	11/2000	Camfferman	D6/491

* cited by examiner

Primary Examiner—Cathron C. Brooks

(74) *Attorney, Agent, or Firm*—Epstein, Edell, Shapiro, Finnann & Lytle, LLC

(57) **CLAIM**

The ornamental design for a decorative element for furniture, as shown and described.

DESCRIPTION

FIG. 1 is a front view in elevation of a decorative element for furniture showing my new design;

FIG. 2 is a right side view in elevation thereof;

FIG. 3 is a top view in plan thereof;

FIG. 4 is a bottom view in plan thereof;

FIG. 5 is a view from above in perspective thereof;

FIG. 6 is a front view in elevation of the design of FIG. 1 extending between the front legs of a dresser;

FIG. 7 is a front view in elevation of a second embodiment of the design of FIG. 1 extending between the legs of a circular table;

FIG. 8 is a front view in elevation of a third embodiment of the design of FIG. 1 extending between the legs of a rectangular table;

FIG. 9 is a front view in elevation of the design of FIG. 1 extending across the top of a bed headboard;

FIG. 10 is a front view in elevation of the design of FIG. 1 extending between the legs of a bed footboard;

FIG. 11 is a front view in elevation of a fourth embodiment of the design of FIG. 1 extending between the front legs of a desk;

FIG. 12 is a front view in elevation of a fifth embodiment of the design of FIG. 1 extending between the legs of a cocktail table;

FIG. 13 is a front view in elevation of the design of FIG. 12 extending between the front legs of an end table;

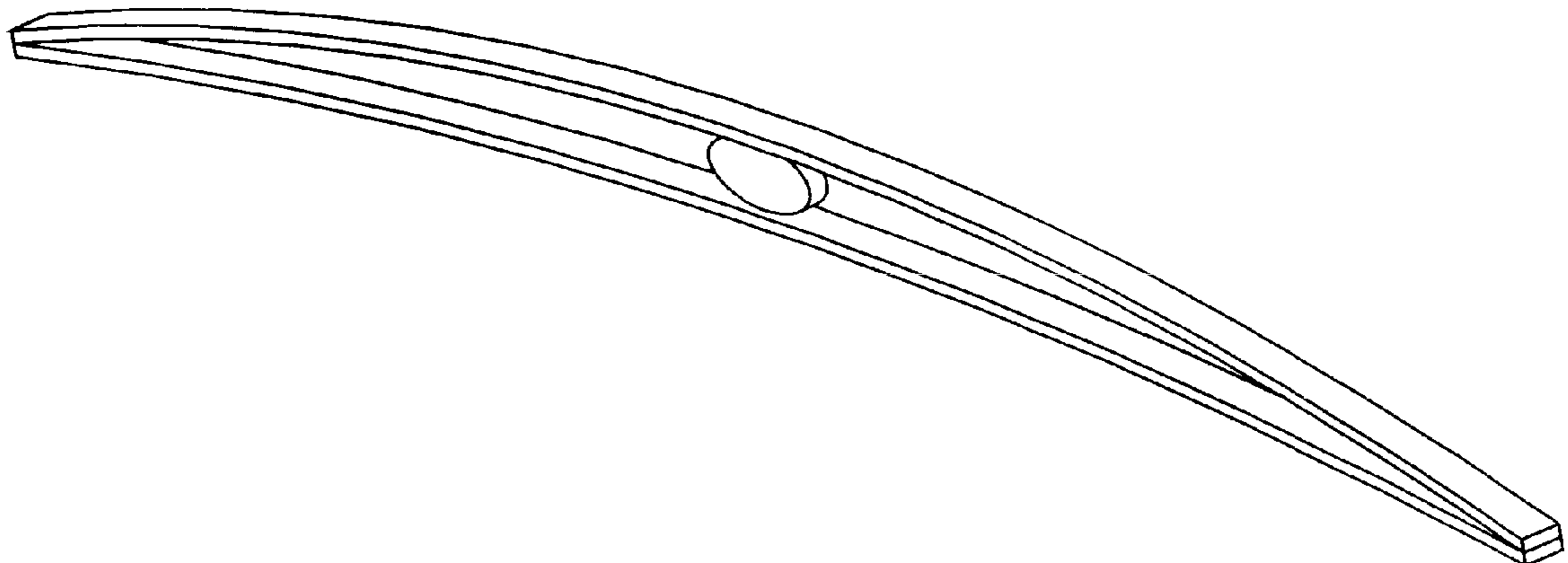
FIG. 14 is a front view in elevation of a sixth embodiment of the design of FIG. 1 extending between the front legs of a bar cabinet;

FIG. 15 is a front view in elevation of the design of FIG. 1 extending across the top of a mirror; and,

FIG. 16 is a front view in elevation of the design of FIG. 1 extending between the front legs of a wall unit.

The broken lines shown throughout are for contextual illustrative purposes and form no part of the claimed design.

1 Claim, 8 Drawing Sheets



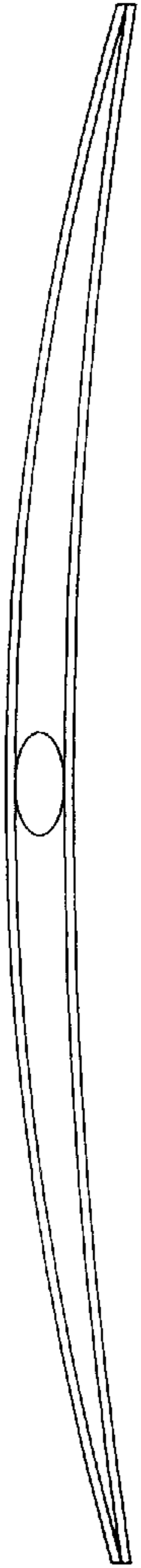


FIG. 1

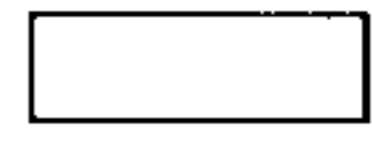


FIG. 2

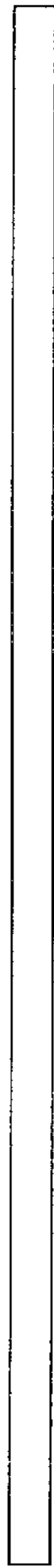


FIG. 3



FIG. 4

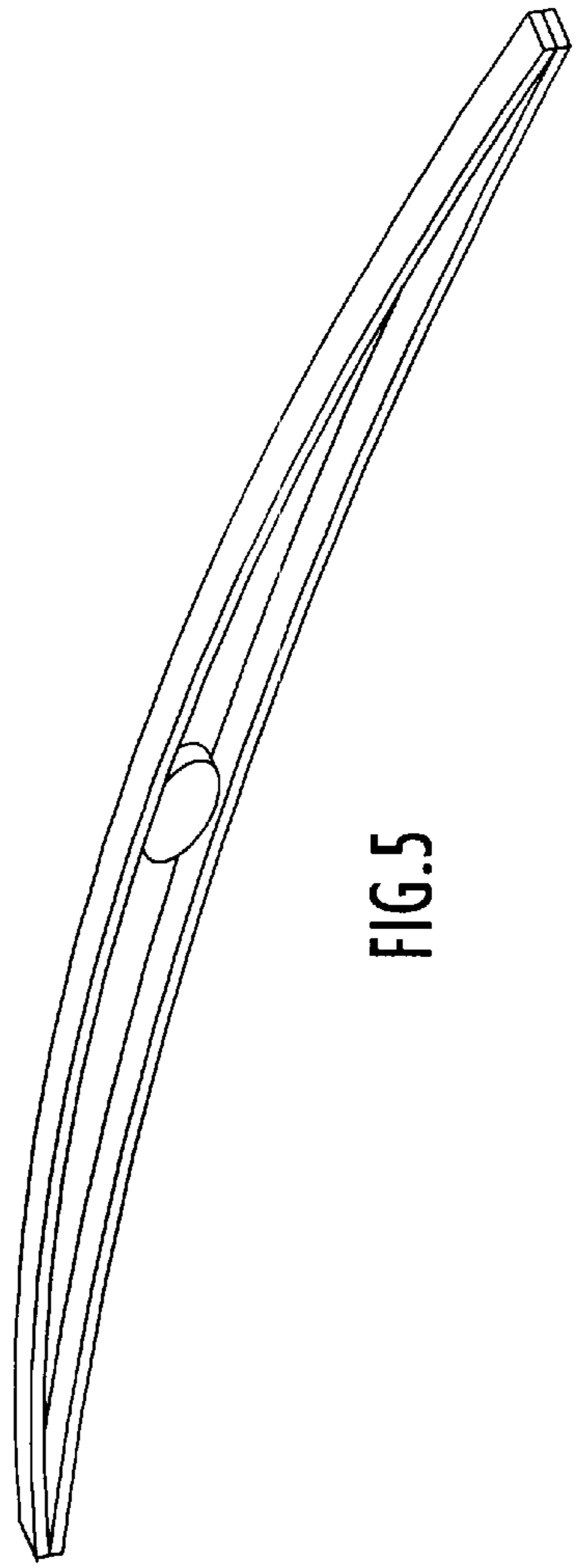


FIG. 5

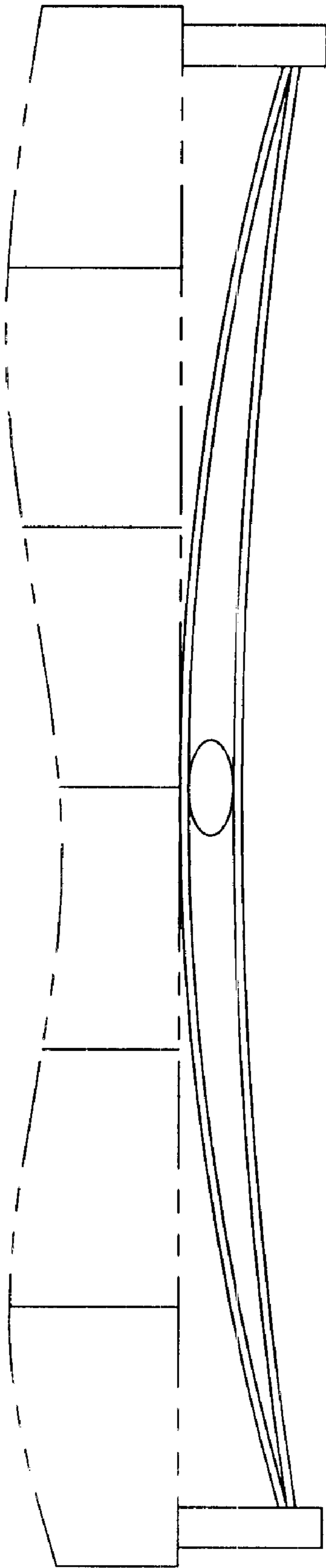


FIG.6

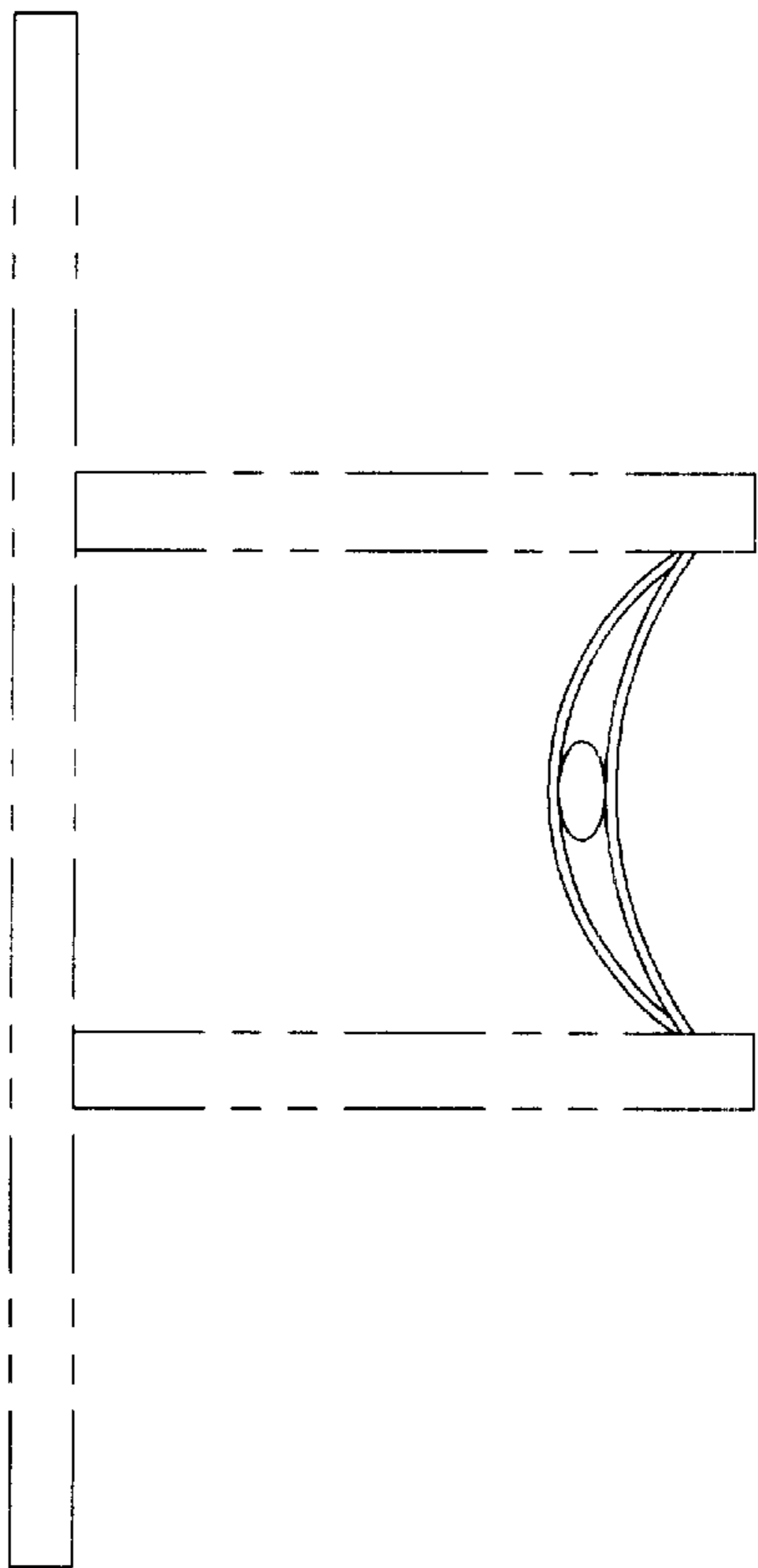


FIG. 7

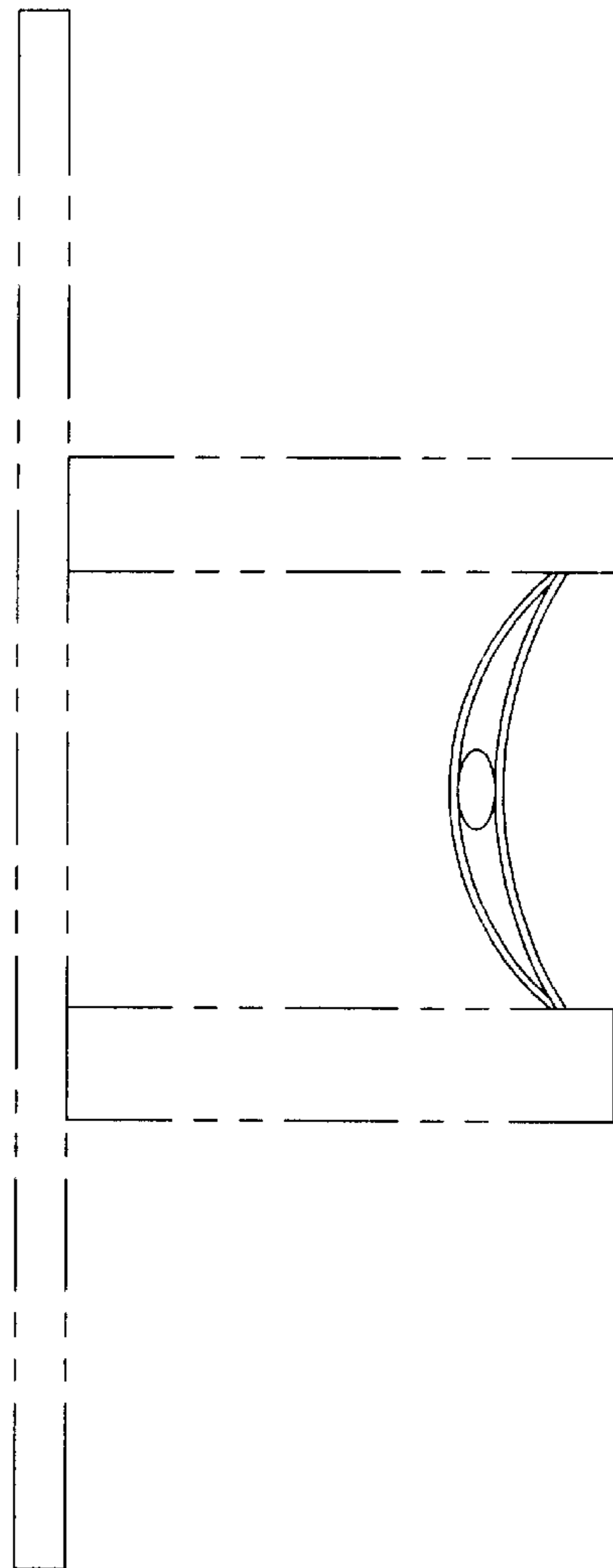


FIG. 8

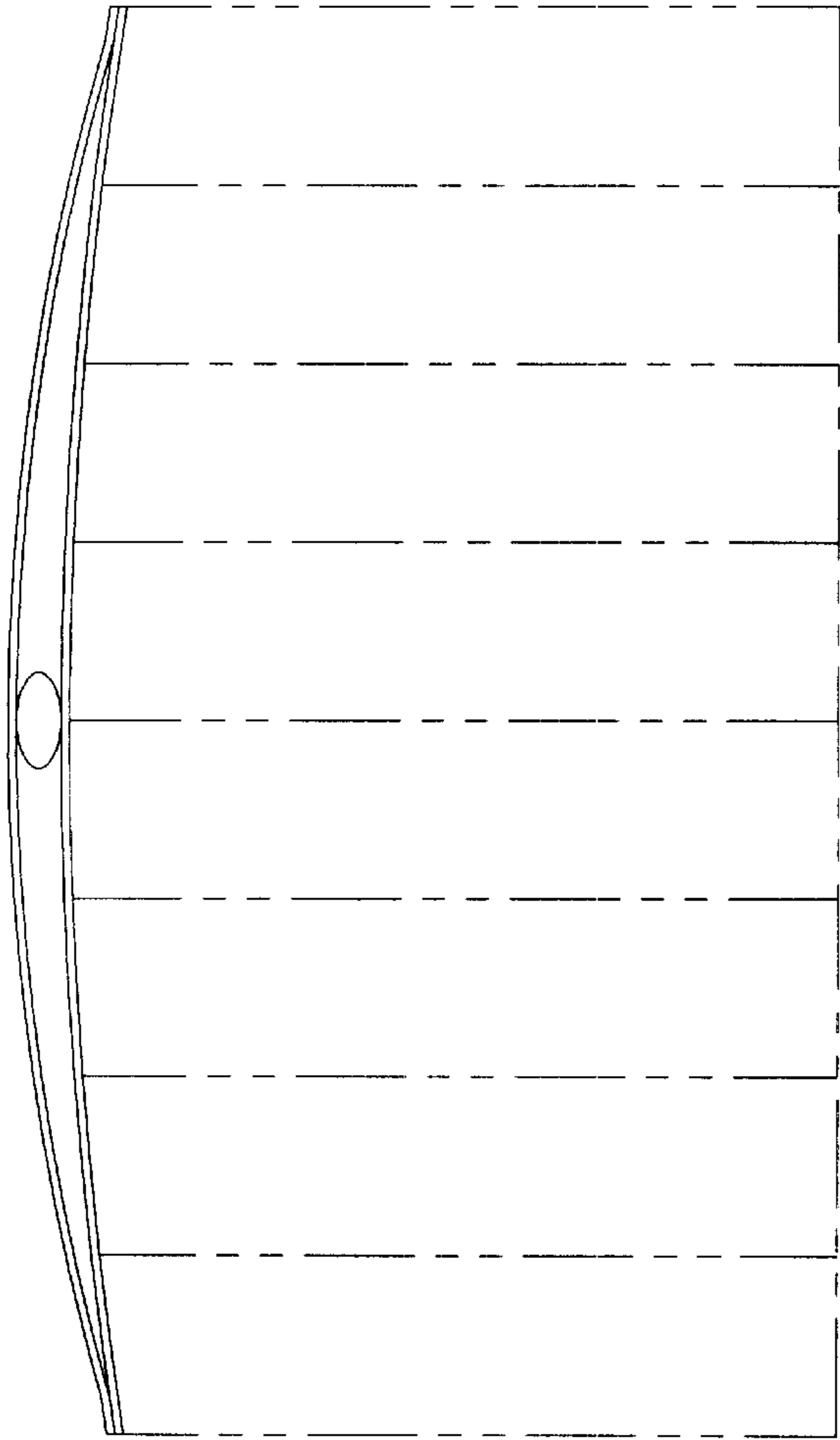


FIG. 9

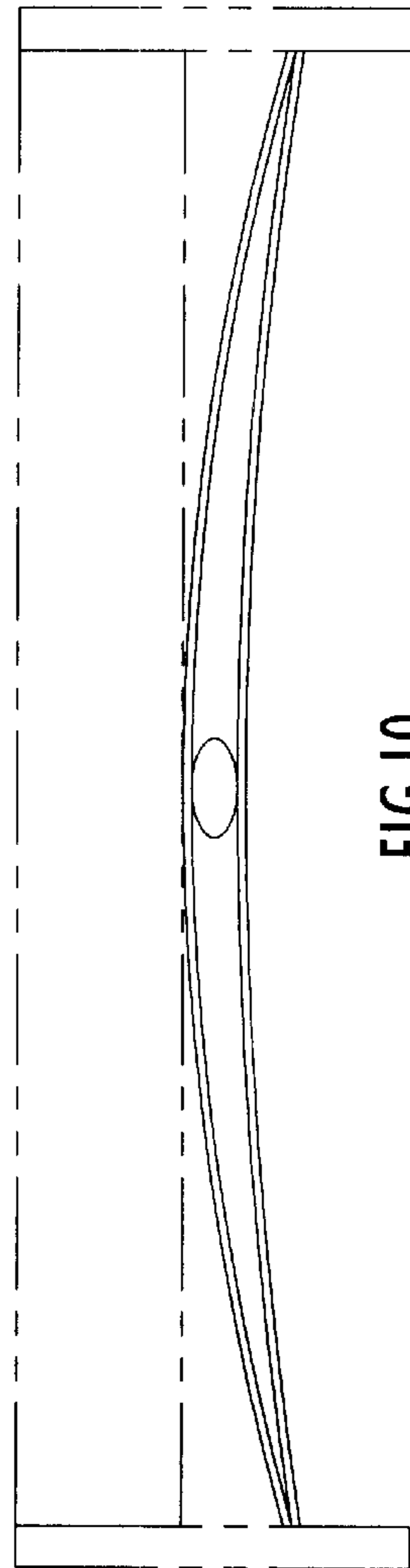


FIG. 10

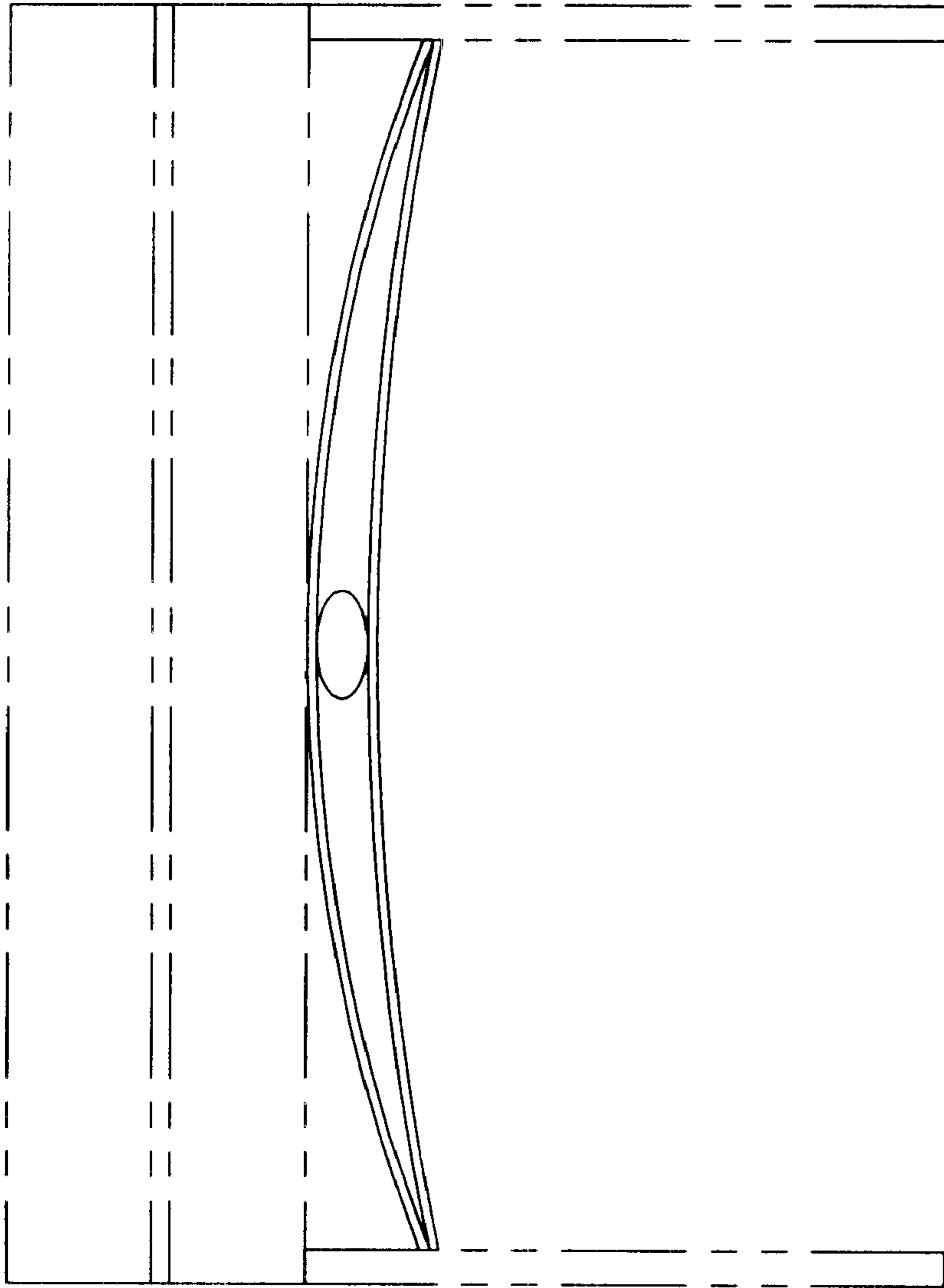


FIG. II

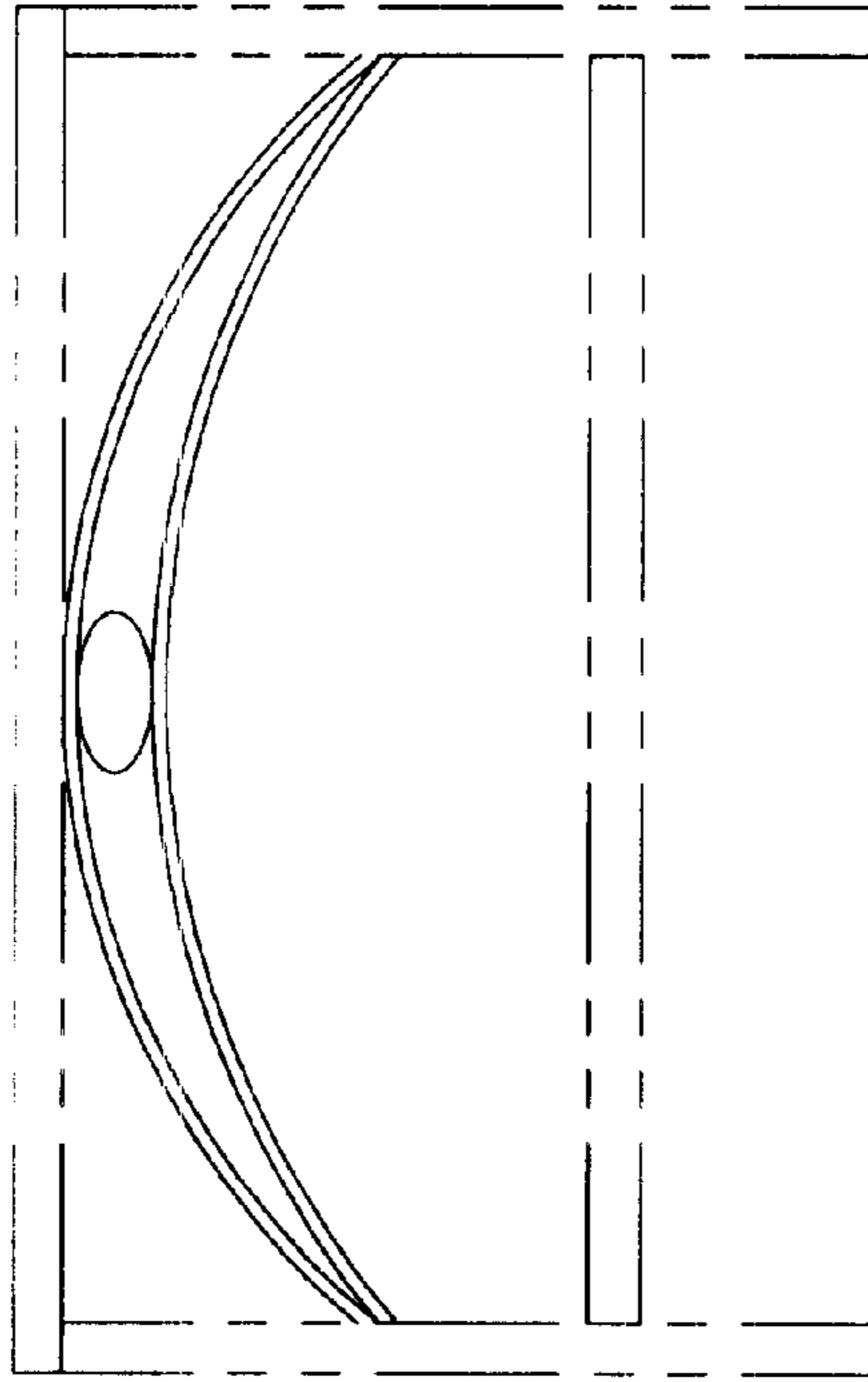


FIG. 13

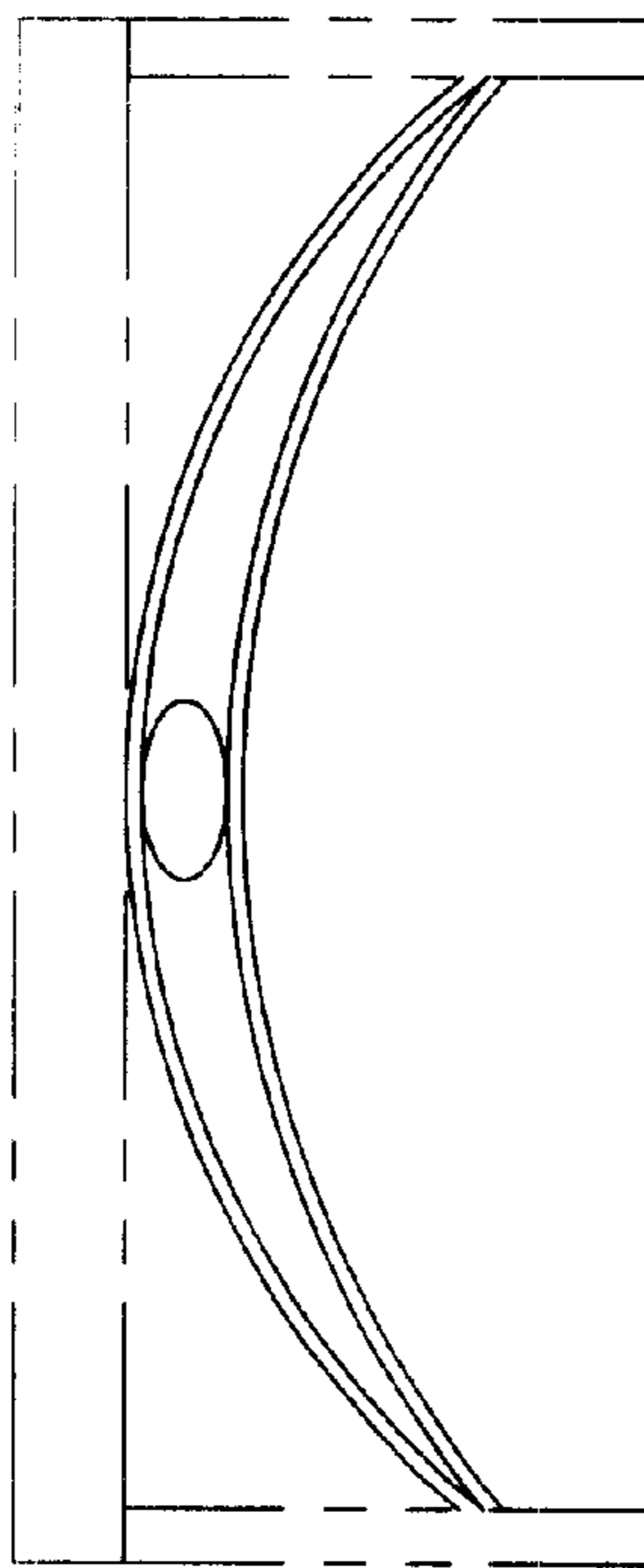


FIG. 12

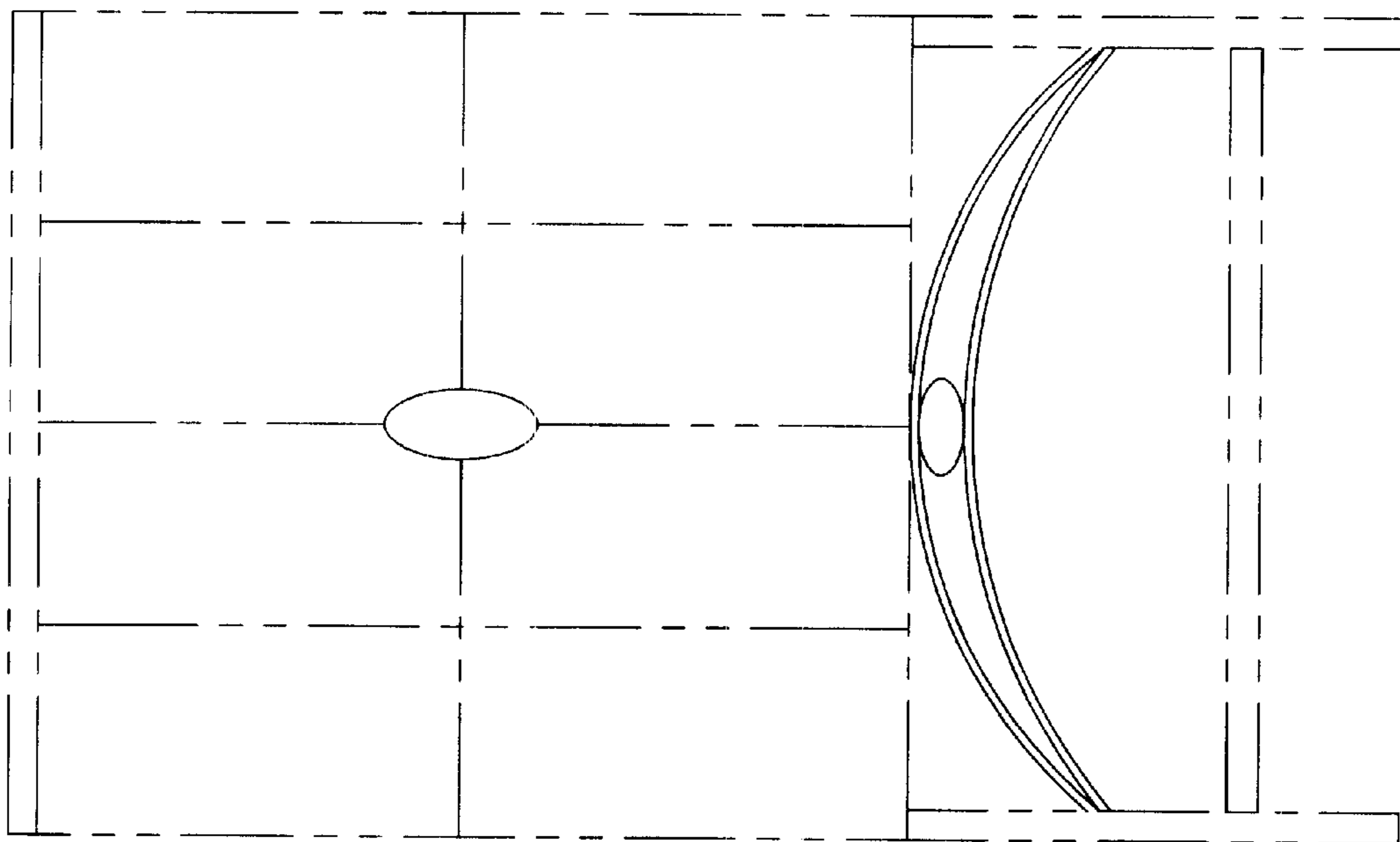


FIG.14

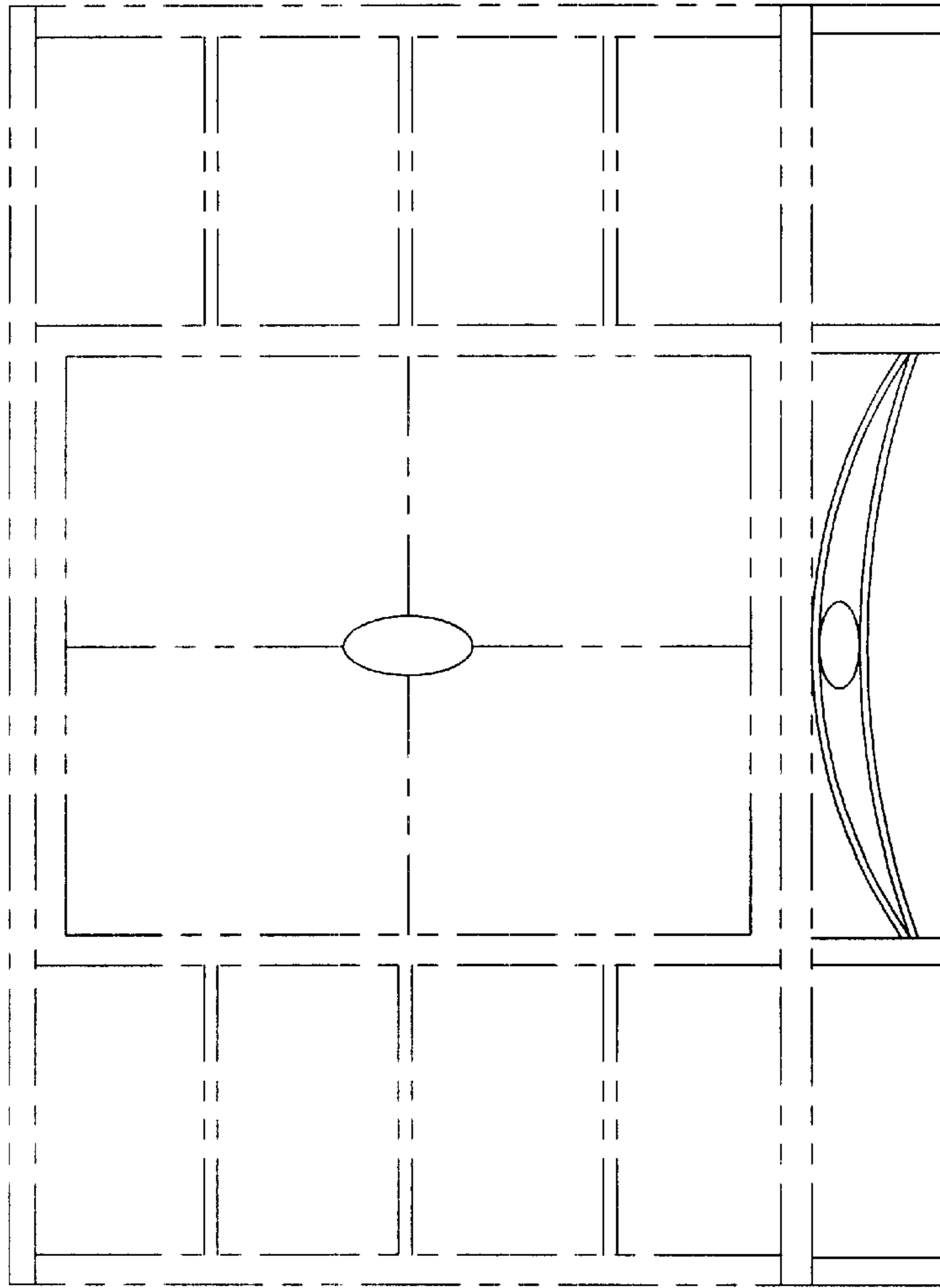


FIG. 16

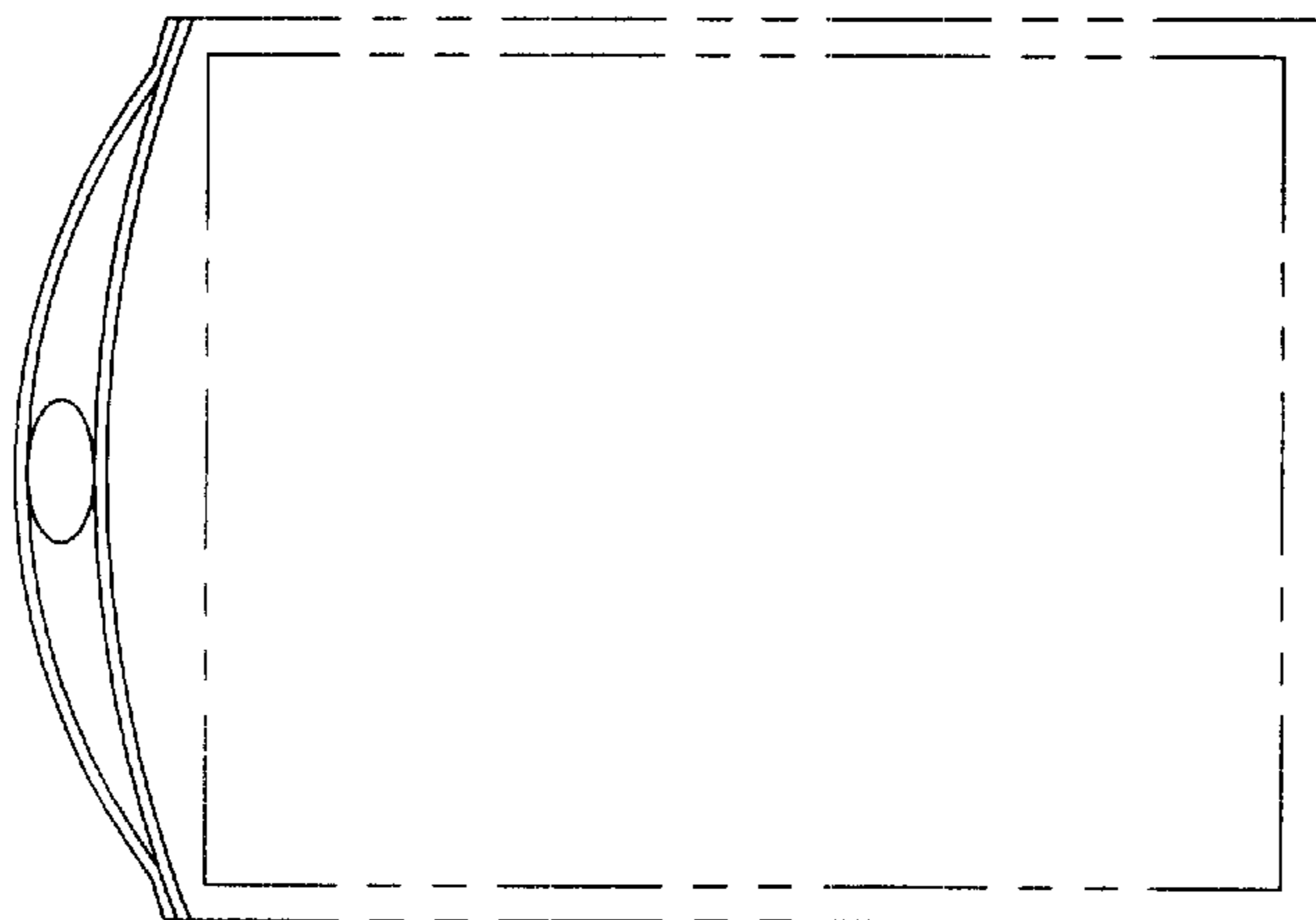


FIG. 15