



US00D468135S

(12) **United States Design Patent**  
**Ashby et al.**

(10) **Patent No.:** **US D468,135 S**  
(45) **Date of Patent:** **\*\* Jan. 7, 2003**

(54) **EDGE OF A BLOW-MOLDED PLASTIC TABLE TOP**  
(75) Inventors: **Kent Ashby**, Logan, UT (US); **Barry D. Mower**, Layton, UT (US)  
(73) Assignee: **Lifetime Products, Inc.**, Clearfield, UT (US)

5,440,857 A	8/1995	Shanok et al. ....	52/716.8
5,730,066 A	3/1998	Auten et al. ....	108/44
5,983,807 A	11/1999	Tarnay et al. ....	108/132
D419,332 S	1/2000	Collins et al. ....	D6/429
D420,527 S	2/2000	Pinch et al. ....	D6/429
6,112,674 A	9/2000	Stanford ....	108/132
6,371,034 B1	4/2002	Simpson et al. ....	108/129

(\*\*) Term: **14 Years**

\* cited by examiner

(21) Appl. No.: **29/154,963**

*Primary Examiner*—Janice E. Seeger

(22) Filed: **Jan. 18, 2002**

(74) *Attorney, Agent, or Firm*—Workman, Nydegger & Seeley

(51) **LOC (7) Cl.** ..... **06-06**

(57) **CLAIM**

(52) **U.S. Cl.** ..... **D6/491; D6/511**

The ornamental design for an edge of a blow-molded plastic table top, as shown and described.

(58) **Field of Search** ..... D6/480–489, 511, D6/491; D8/403; 108/153.1, 155, 156, 157.1, 161, 65, 27; 312/140.1, 140.2, 140.3; 248/345.1

**DESCRIPTION**

(56) **References Cited**

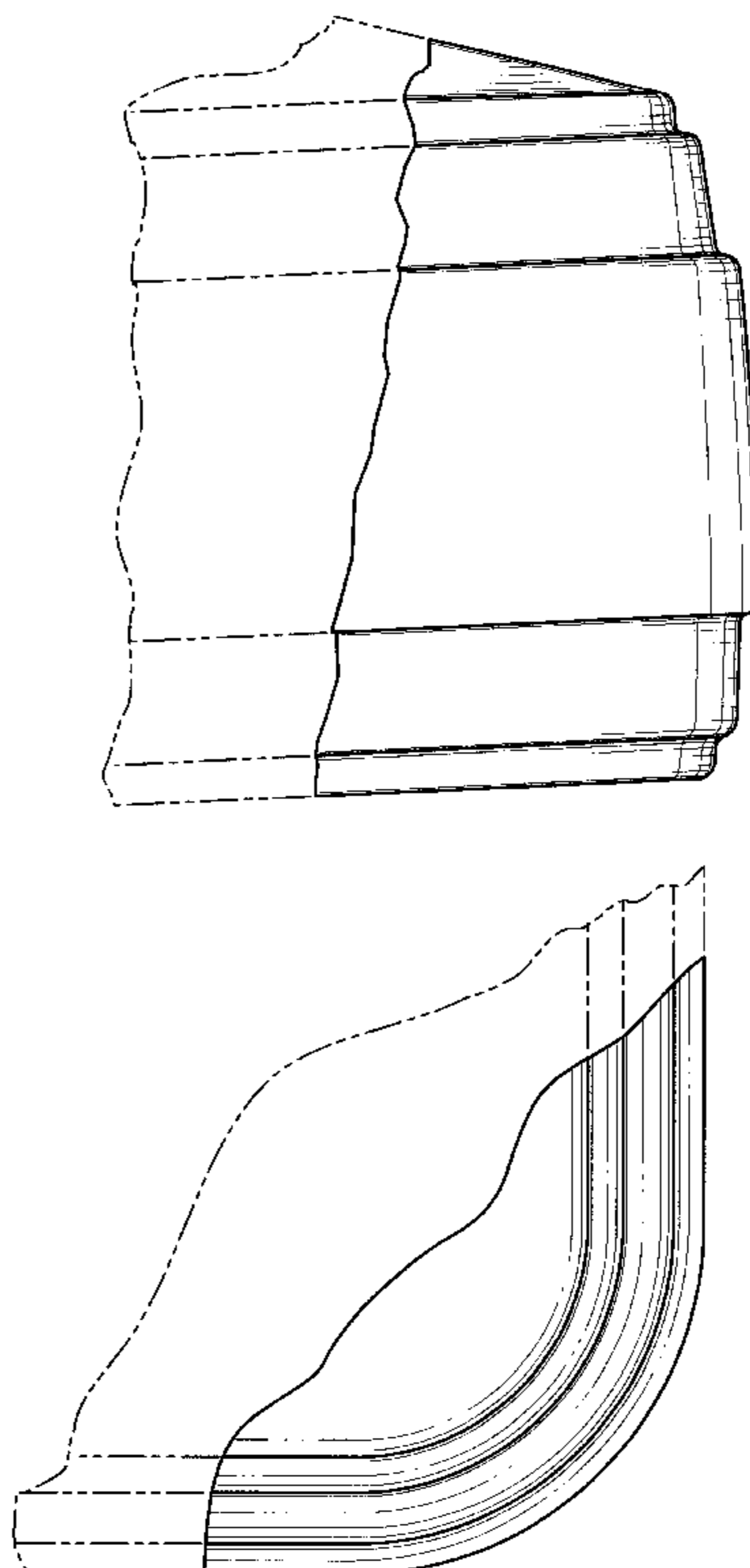
FIG. 1 is a perspective view of an edge of a blow-molded plastic table top of the present invention; FIG. 2 is an enlarged perspective view of the edge of the blow-molded plastic table top shown in FIG. 1; FIG. 3 is a top plan view of the edge of the blow-molded plastic table top shown in FIG. 2; FIG. 4 is a right side view of the edge of the blow-molded plastic table top shown in FIG. 2, and with the left side view being a mirror image thereof; and, FIG. 5 is a bottom plan view of the edge of the blow-molded plastic table top shown in FIG. 2.

**U.S. PATENT DOCUMENTS**

D192,113 S	*	1/1962	Anderson	.....	D6/511
3,777,673 A	*	12/1973	Blazey et al.	.....	108/27
4,503,780 A	*	3/1985	Apissomian	.....	108/27
4,557,200 A		12/1985	Geschwender	.....	108/132
D288,642 S	*	3/1987	DeLuca	.....	D6/480
D301,953 S	*	7/1989	Evenson	.....	D6/491
4,951,576 A		8/1990	Cobos et al.	.....	108/131
5,271,338 A		12/1993	Bonham	.....	108/161
5,311,825 A		5/1994	Bonham	.....	108/27
5,377,601 A		1/1995	Cashen	.....	108/157
5,394,808 A		3/1995	Dutro et al.	.....	108/126
5,421,272 A		6/1995	Wilmore	.....	108/115

The broken lines are for environmental purposes only and form no part of the claimed design.

**1 Claim, 3 Drawing Sheets**



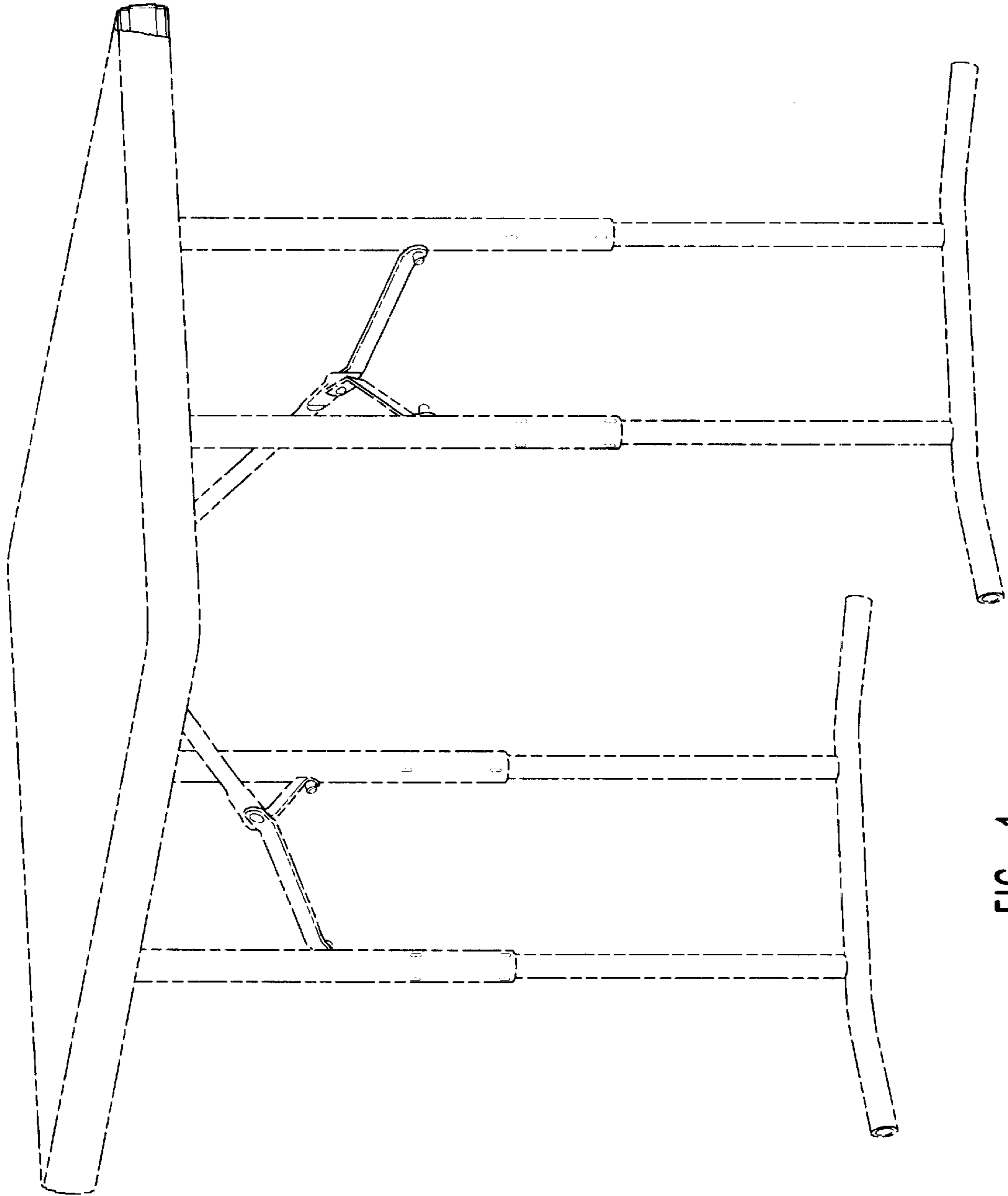


FIG. 1

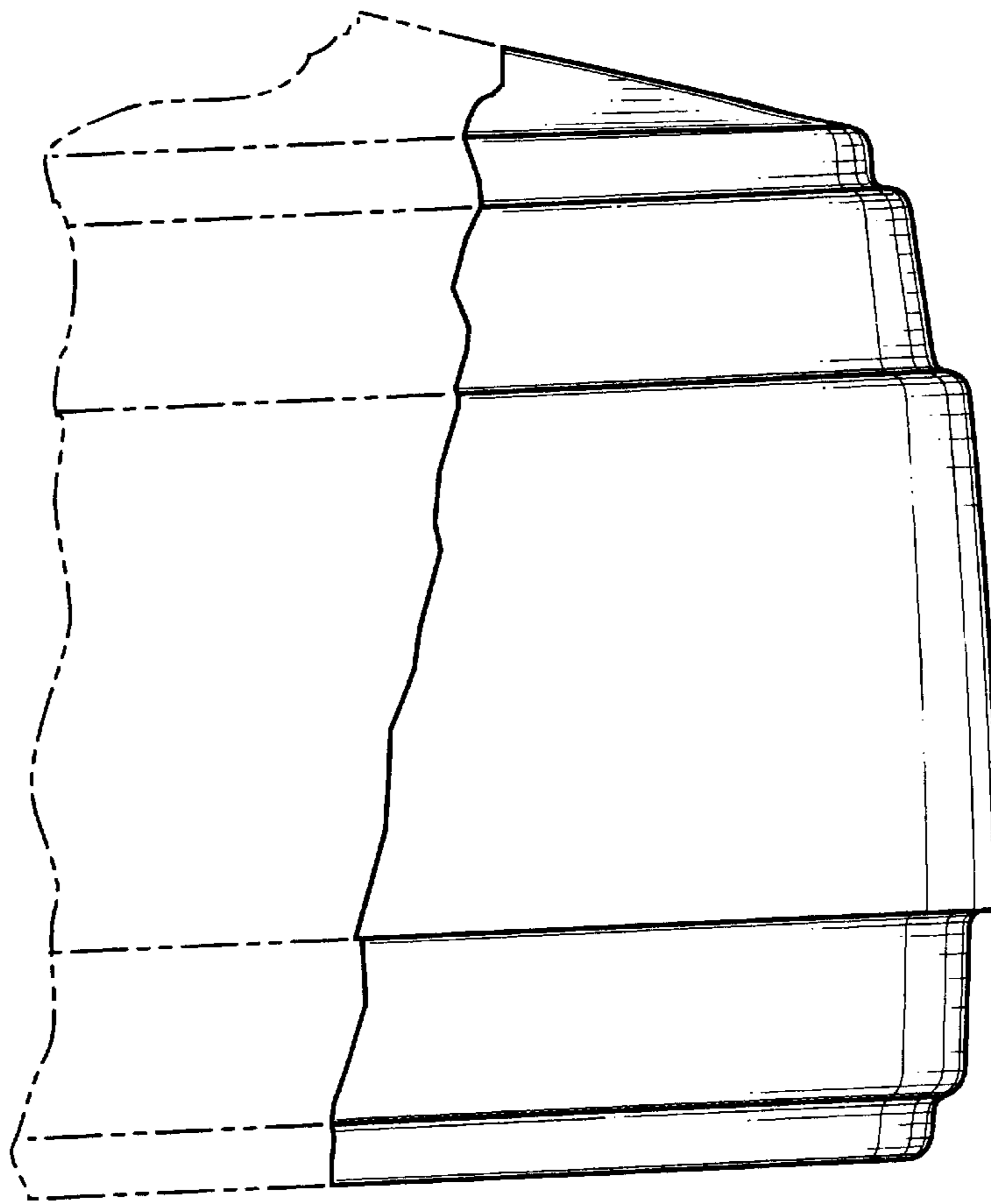


FIG. 2

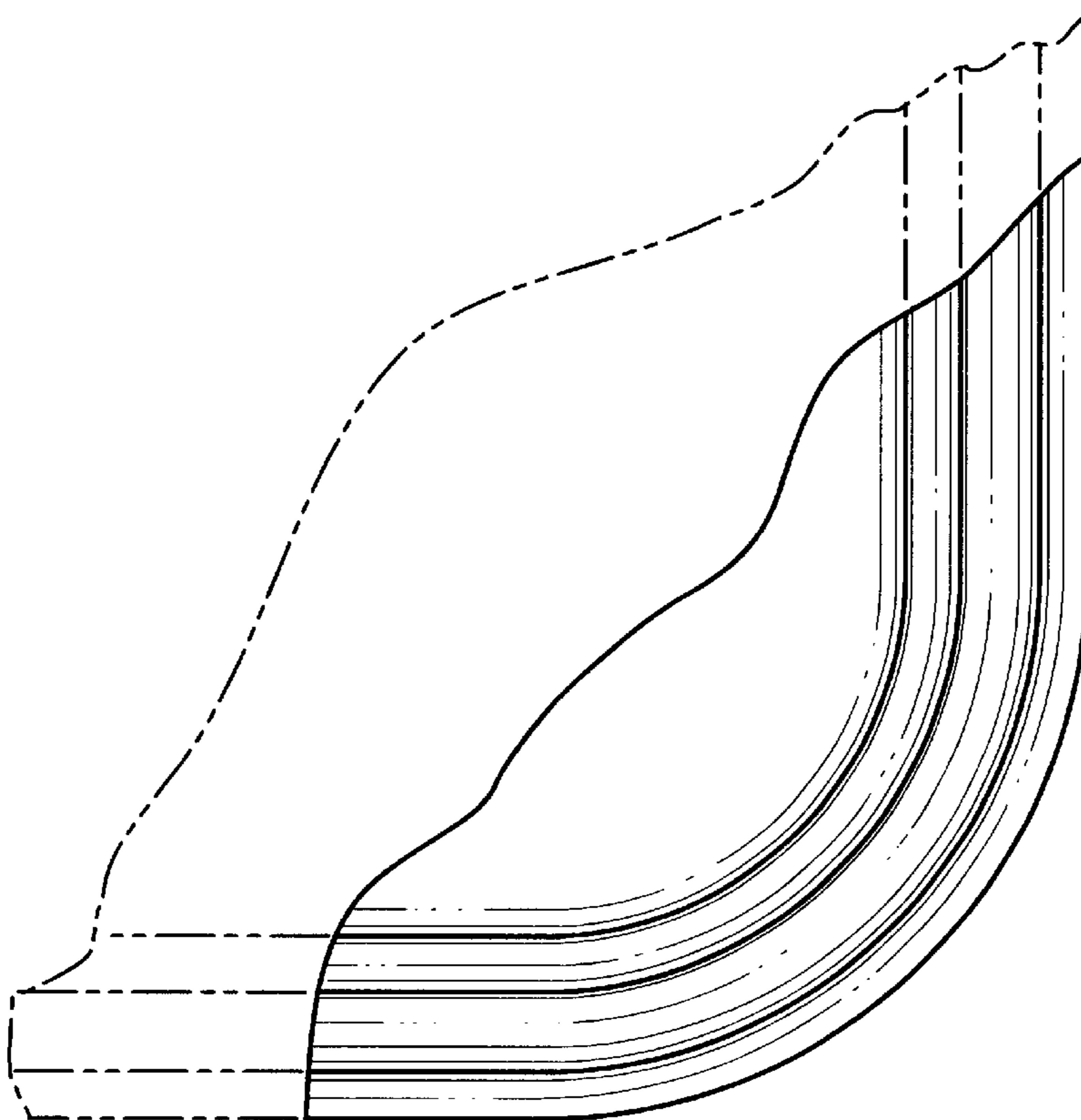


FIG. 3

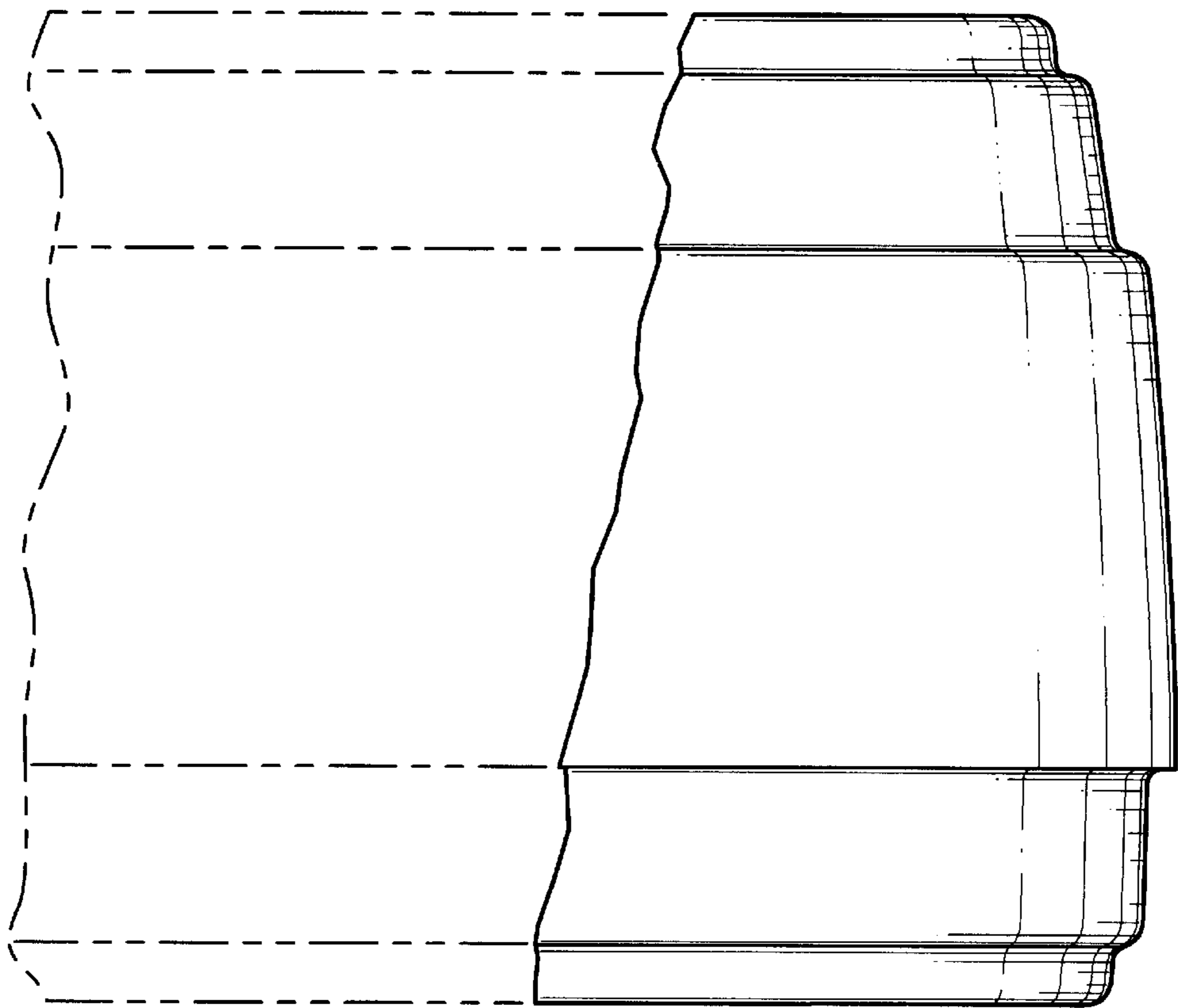


FIG. 4

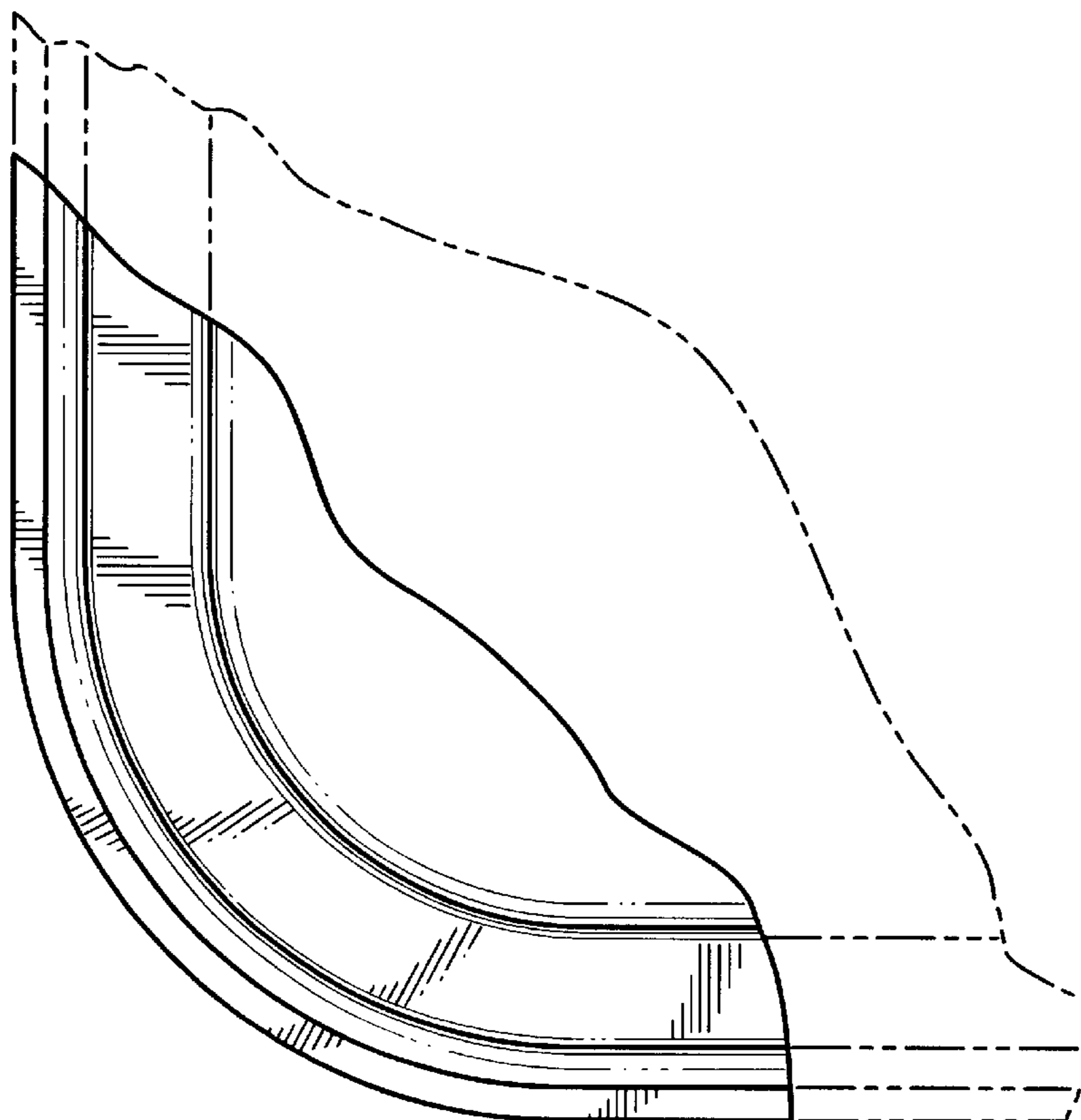


FIG. 5