



US00D468133S

(12) **United States Design Patent**
Lauts

(10) **Patent No.:** **US D468,133 S**

(45) **Date of Patent:** **** Jan. 7, 2003**

(54) **DUAL KEYBOARD STAND**

(76) Inventor: **Doug Lauts**, 4395 Stillwaters Dr.,
Merritt Island, FL (US) 32952

(**) Term: **14 Years**

(21) Appl. No.: **29/152,920**

(22) Filed: **Dec. 26, 2001**

(51) **LOC (7) Cl.** **06-04**

(52) **U.S. Cl.** **D6/462; D6/466**

(58) **Field of Search** D6/409-419, 449,
D6/462, 463, 466; D17/9; 211/13.1, 85.6,
189, 191, 192, 195, 201, 181.1, 182; 248/161,
163.1, 164, 165, 171, 431; 984/344

(56) **References Cited**

U.S. PATENT DOCUMENTS

- D278,670 S * 5/1985 Schoenig D6/463
- 4,684,091 A * 8/1987 Moreschi 248/163.1 X
- D301,418 S * 6/1989 Wernick D6/462
- D304,270 S * 10/1989 Goldman D6/462

- D317,611 S * 6/1991 Poe D6/462 X
- D383,333 S * 9/1997 Mechem, Jr. D6/462
- D442,387 S * 5/2001 Jeghers D6/400

* cited by examiner

Primary Examiner—Cathron C. Brooks
(74) *Attorney, Agent, or Firm*—Allen, Dyer, Doppelt,
Milbrath & Gilchrist, P.A.

(57) **CLAIM**

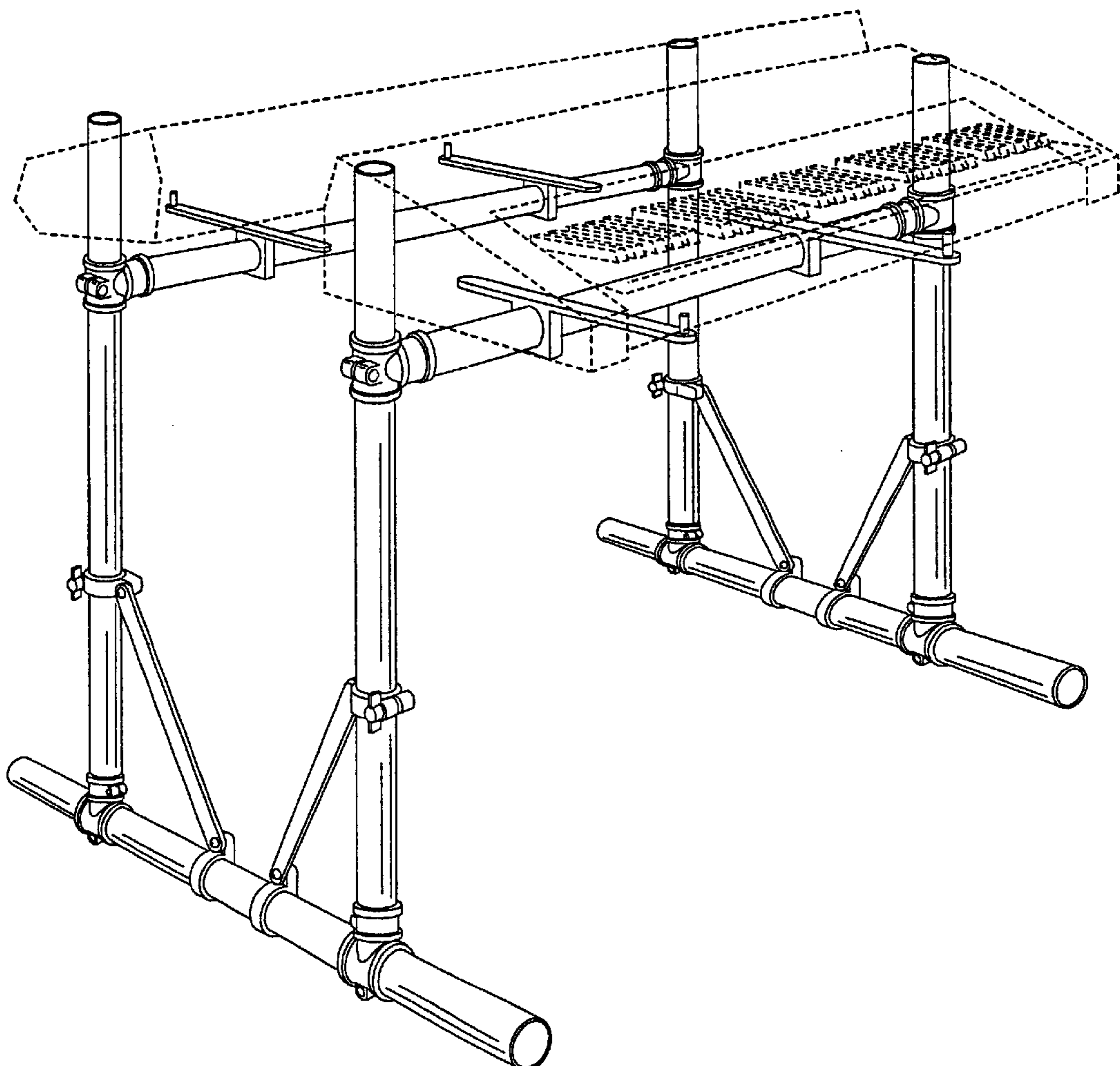
The ornamental design for a dual keyboard stand, as shown and described.

DESCRIPTION

FIG. 1 is a perspective view of a dual keyboard stand showing my new design with broken lines being for illustrative purposes only and forming no part of the claimed design;

FIG. 2 is a top plan view of the dual keyboard stand; FIG. 3 is a bottom plan view of the dual keyboard stand; FIG. 4 is a front view of the dual keyboard stand; and, FIG. 5 is a side view of the dual keyboard stand.

1 Claim, 3 Drawing Sheets



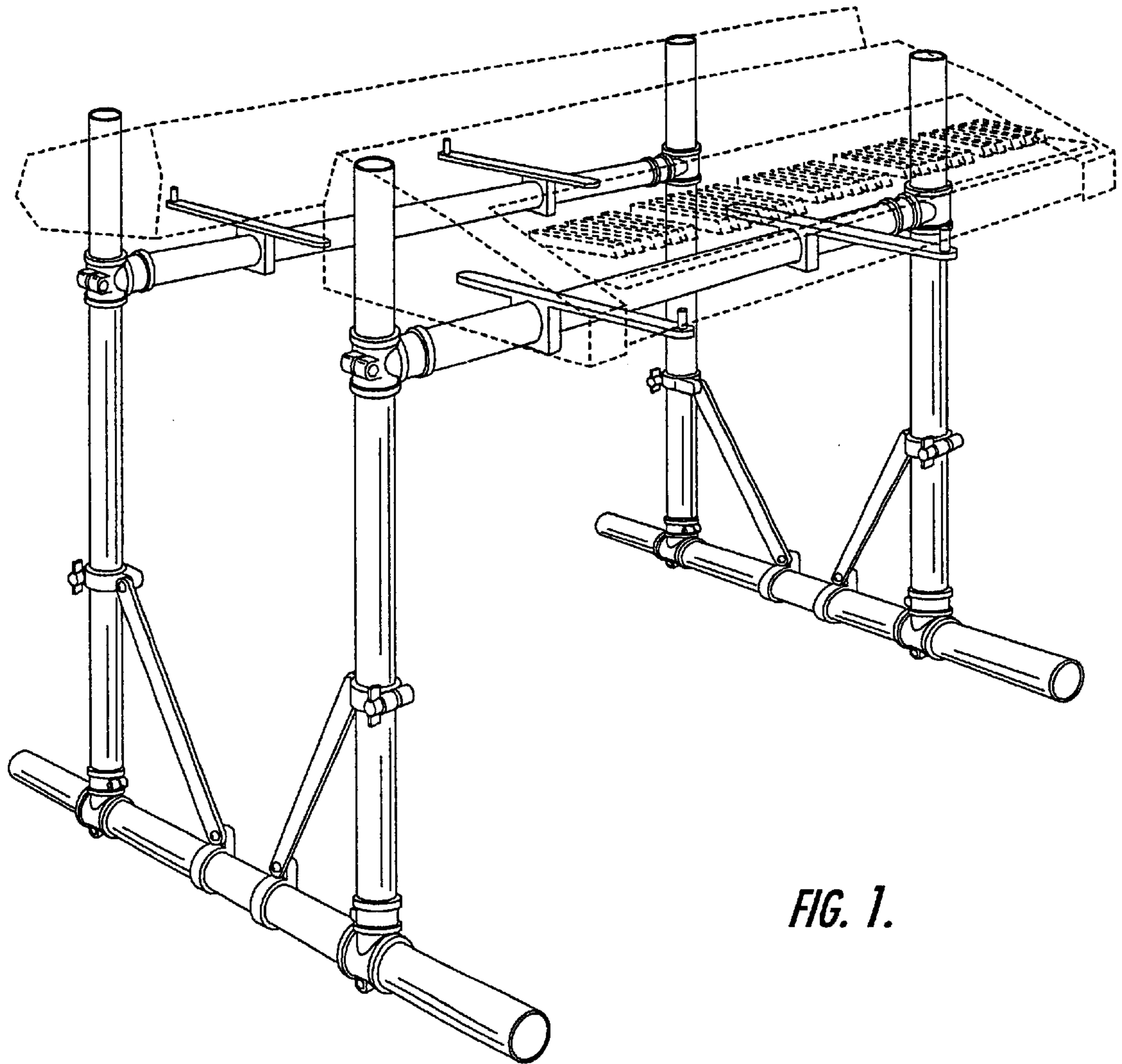


FIG. 1.

