



US00D468131S

(12) **United States Design Patent**
Weichert

(10) **Patent No.:** **US D468,131 S**

(45) **Date of Patent:** **** Jan. 7, 2003**

(54) **TIE, HANDKERCHIEF, AND ACCESSORY HANGER RACK**

D343,592 S * 1/1994 Vernon D11/120
D393,379 S * 4/1998 Alber D6/454
6,206,208 B1 * 3/2001 Dennig 211/85.2

(76) **Inventor:** **Gerald Weichert**, 711 W. 43rd St.,
Chicago, IL (US) 60609

* cited by examiner

(**) **Term:** **14 Years**

Primary Examiner—Cathron C. Brooks
(74) *Attorney, Agent, or Firm*—Goldstein & Lavas, P.C.

(21) **Appl. No.:** **29/163,068**

(57) **CLAIM**

(22) **Filed:** **Jun. 24, 2002**

The ornamental design for a tie, handkerchief, and accessory hanger rack, as shown and described.

(51) **LOC (7) Cl.** **06-04**

DESCRIPTION

(52) **U.S. Cl.** **D6/454; D6/468**

(58) **Field of Search** D6/436, 437, 411,
D6/455, 457-469, 454; 108/59, 91, 92,
149, 107, 181; 211/13.1, 85.2, 78, 85.26,
205, 181.1, 182, 189, 34, 37, 186, 187,
133.2

FIG. 1 is a perspective view of a tie, handkerchief, and accessory hanger rack.

FIG. 2 is a front elevational view thereof.

FIG. 3 is a rear elevational view thereof.

FIG. 4 is a left side elevational view thereof.

FIG. 5 is a right side elevational view thereof.

FIG. 6 is a top plan view of the tie, handkerchief, and accessory hanger rack; and,

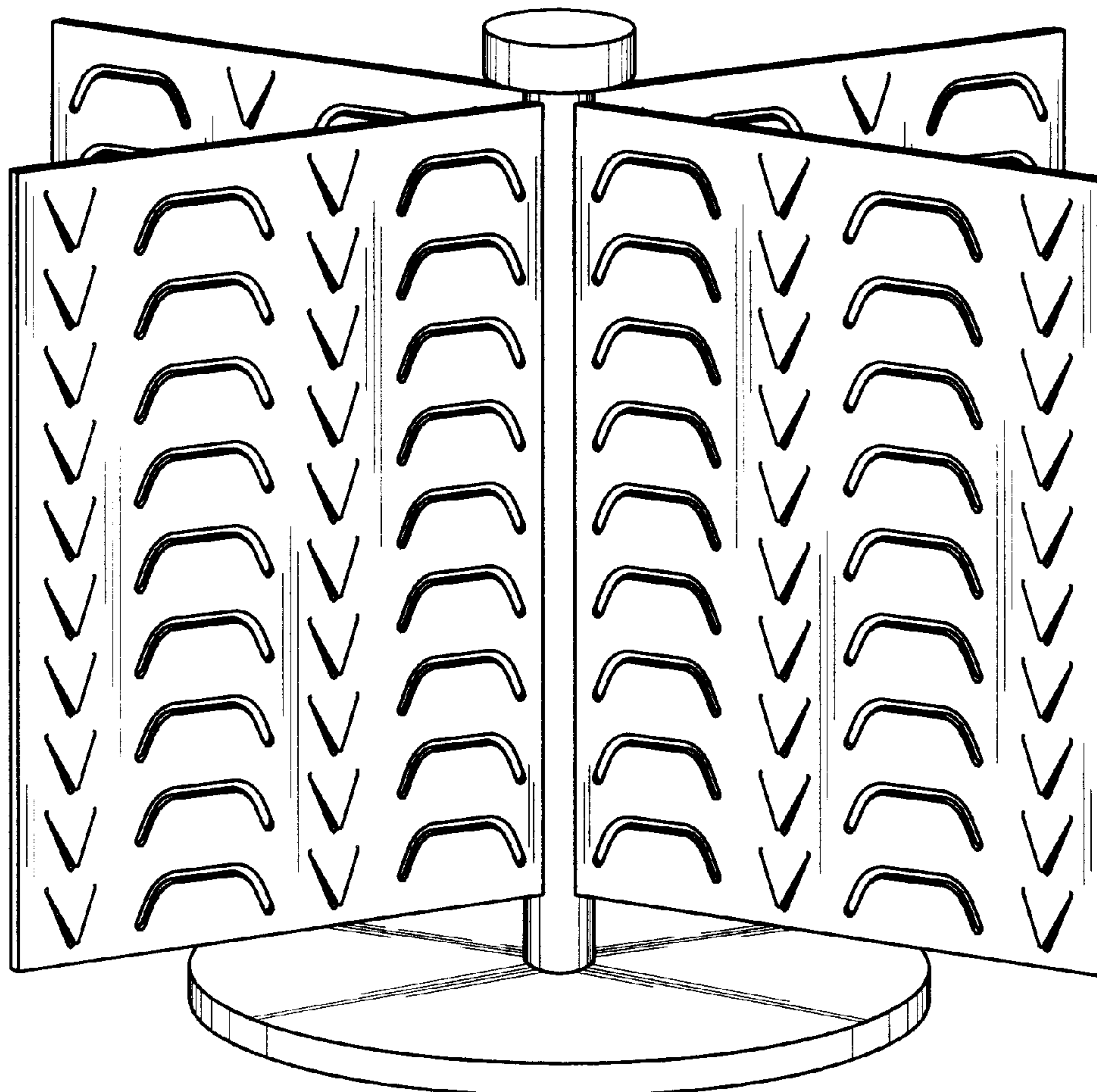
FIG. 7 is a bottom plan view thereof.

(56) **References Cited**

U.S. PATENT DOCUMENTS

D249,000 S * 8/1978 Simmons D6/454
D317,732 S * 6/1991 Vernon D11/117

1 Claim, 4 Drawing Sheets



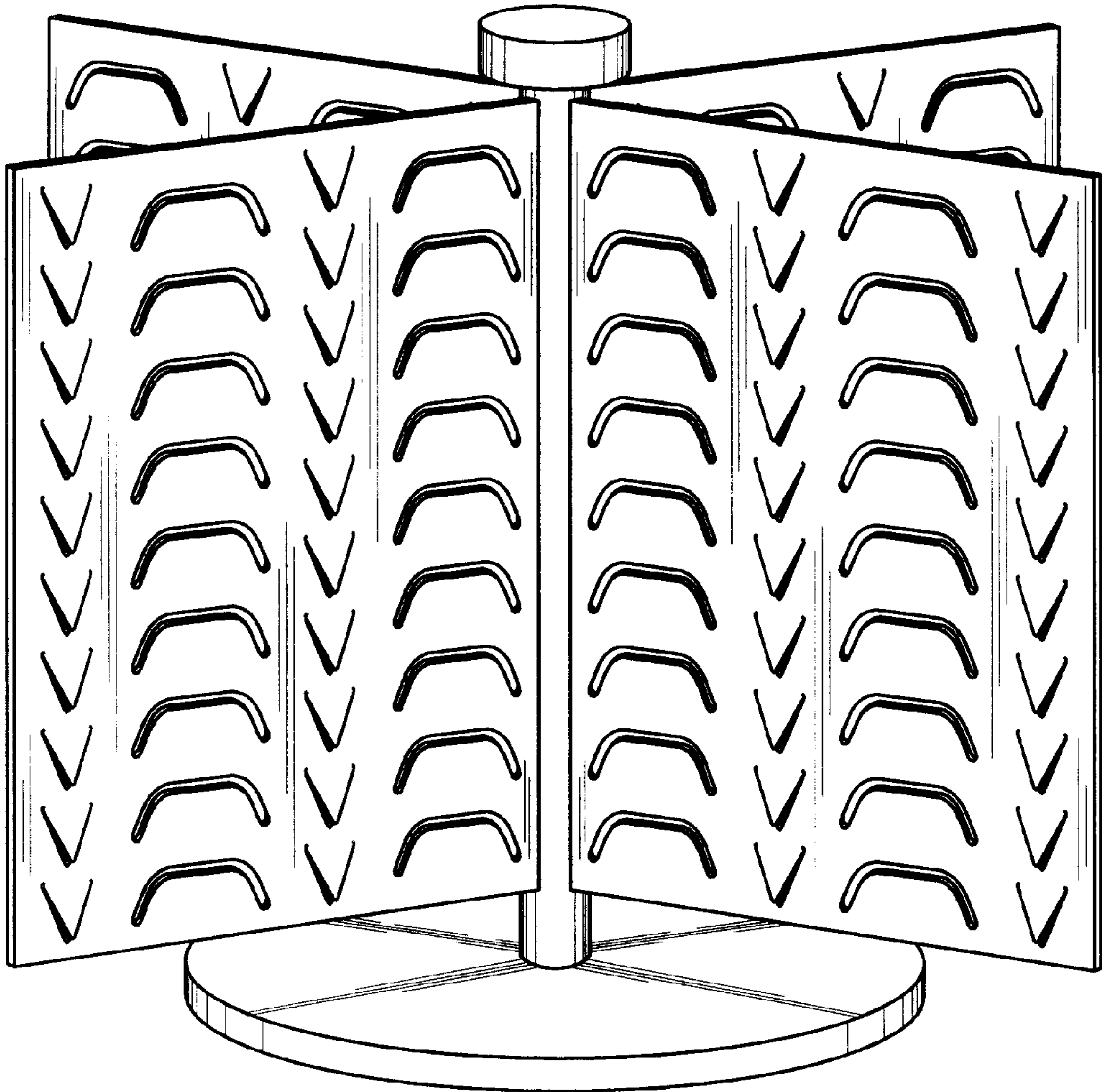


FIG. 1

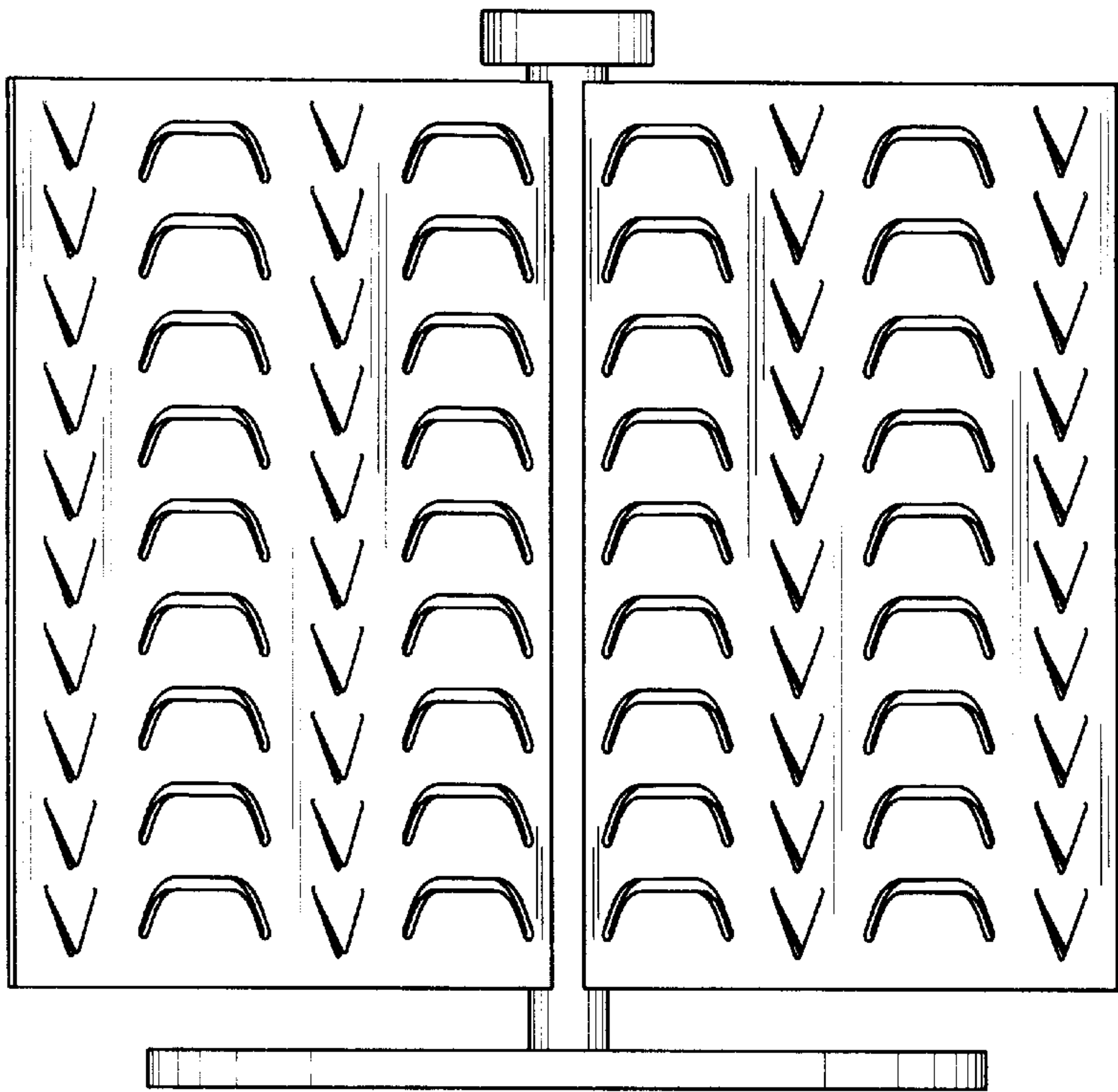


FIG. 2

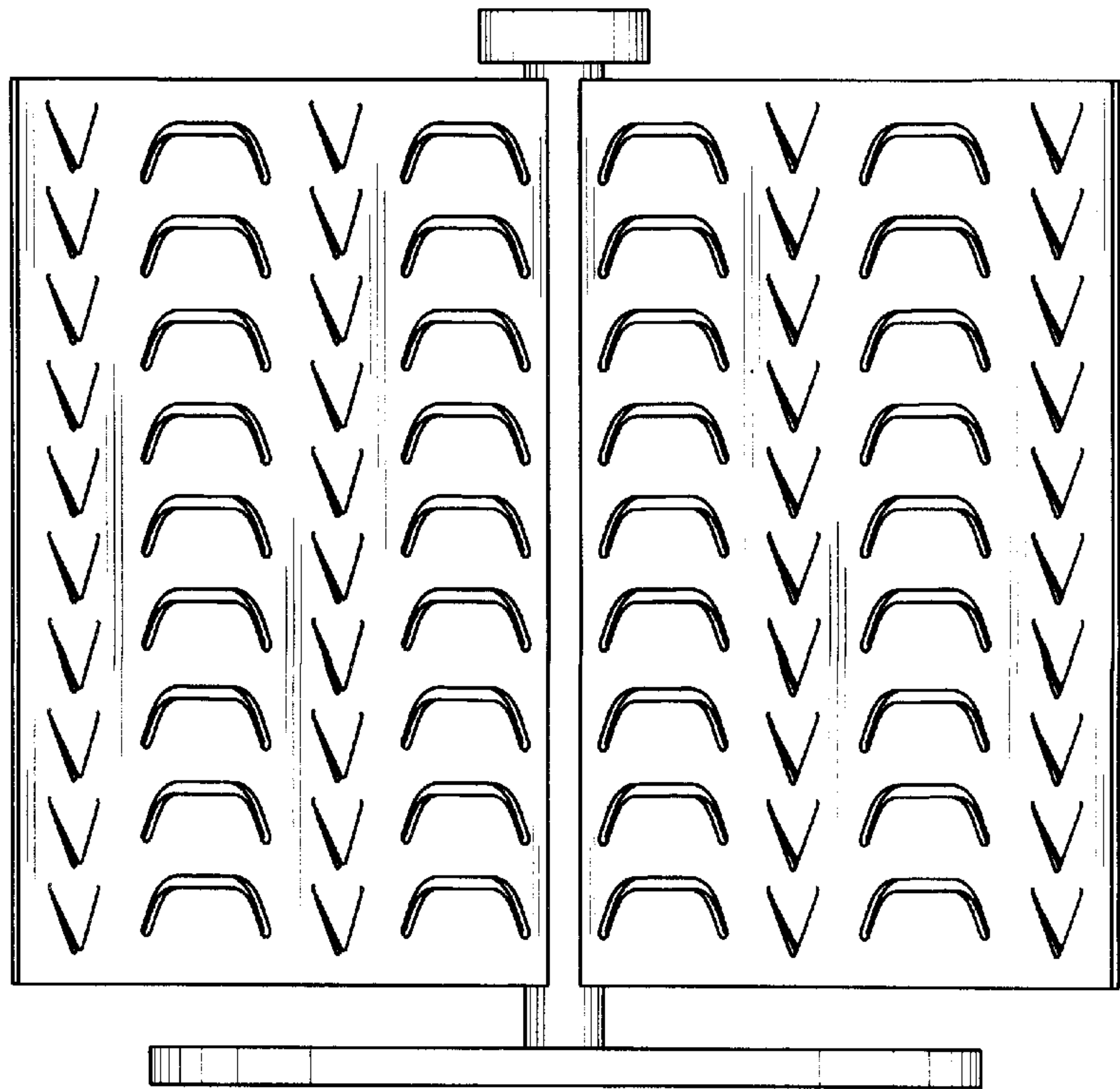


FIG. 3

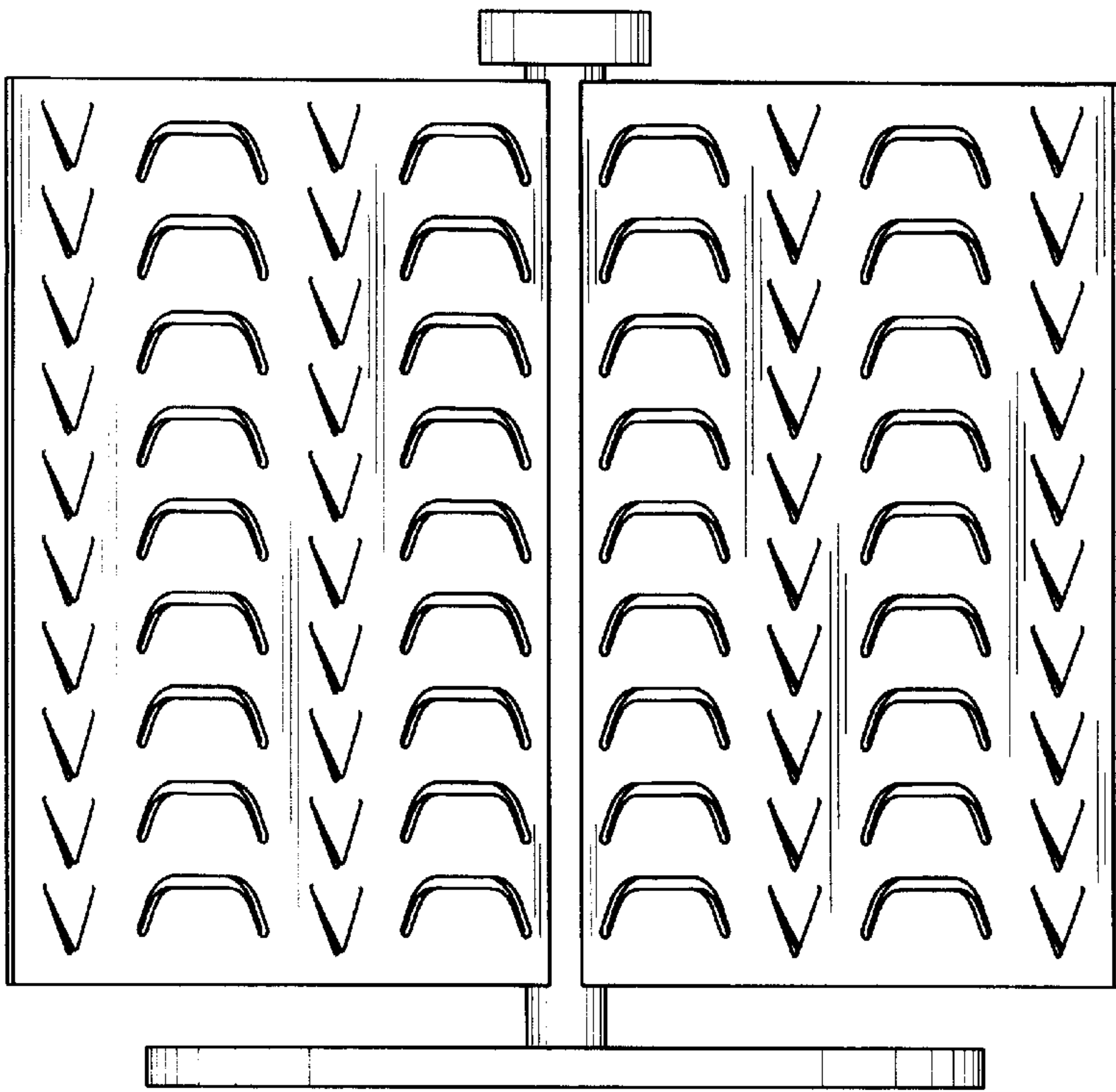
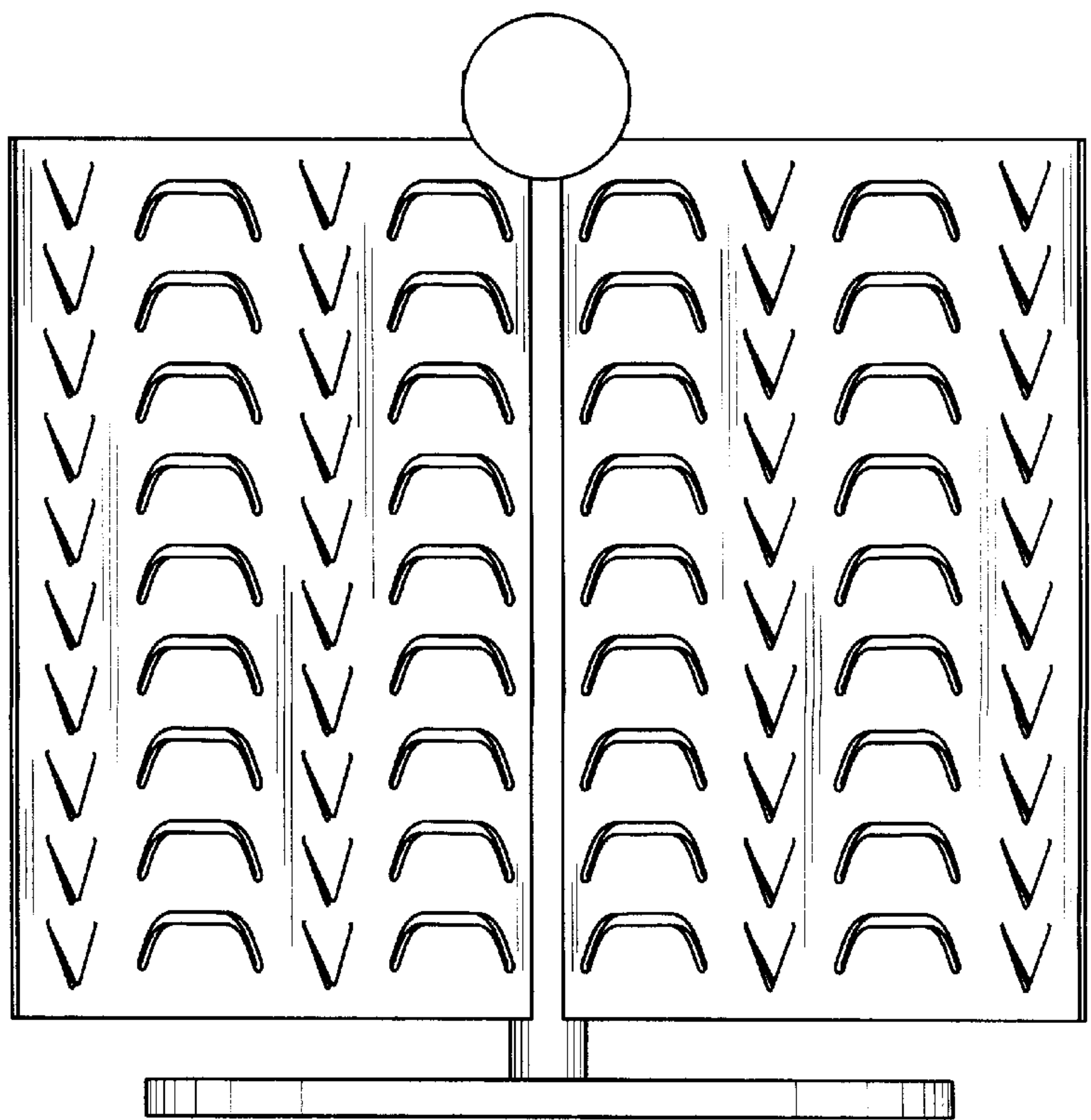


FIG. 4

FIG. 5



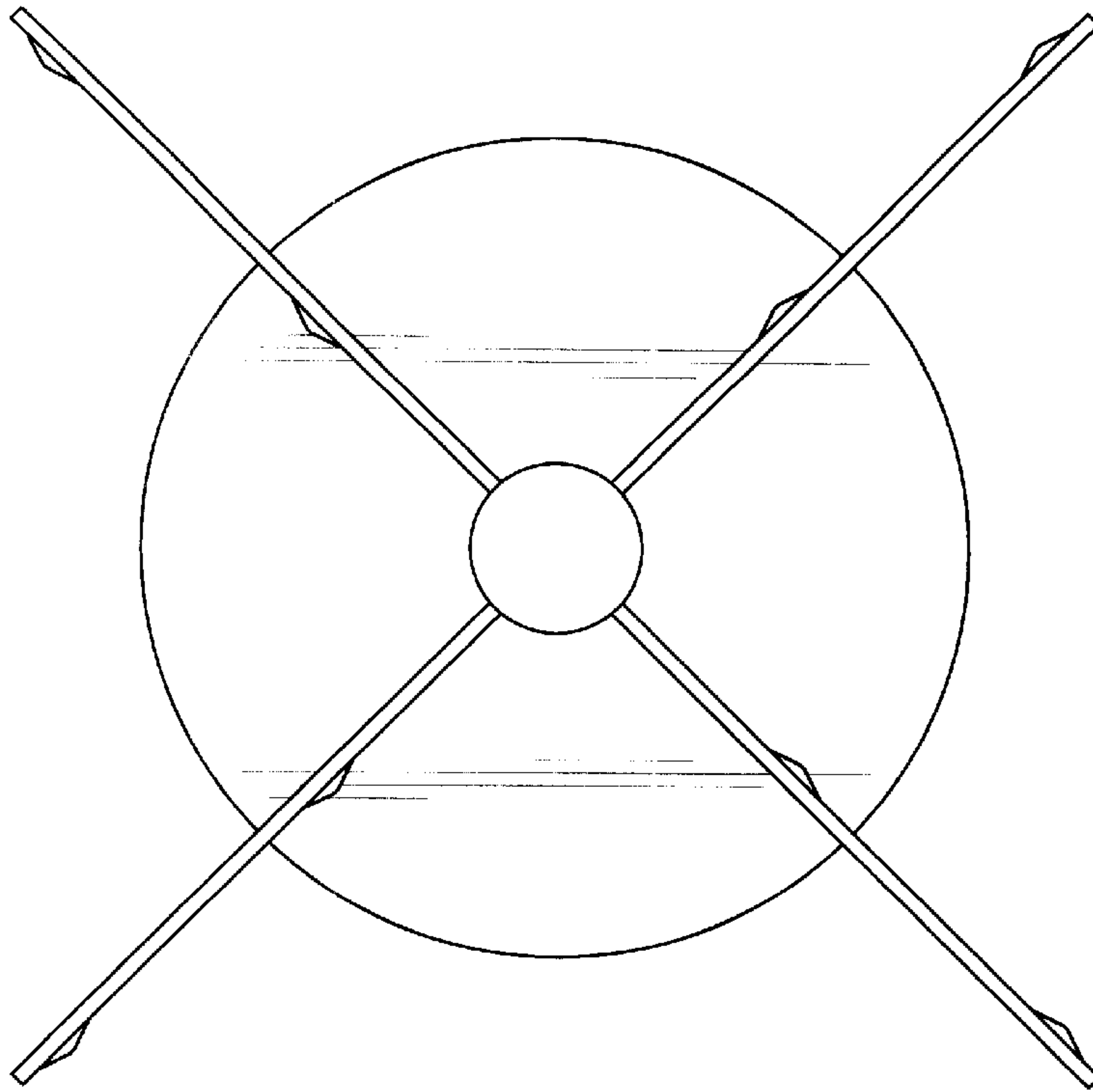


FIG. 6

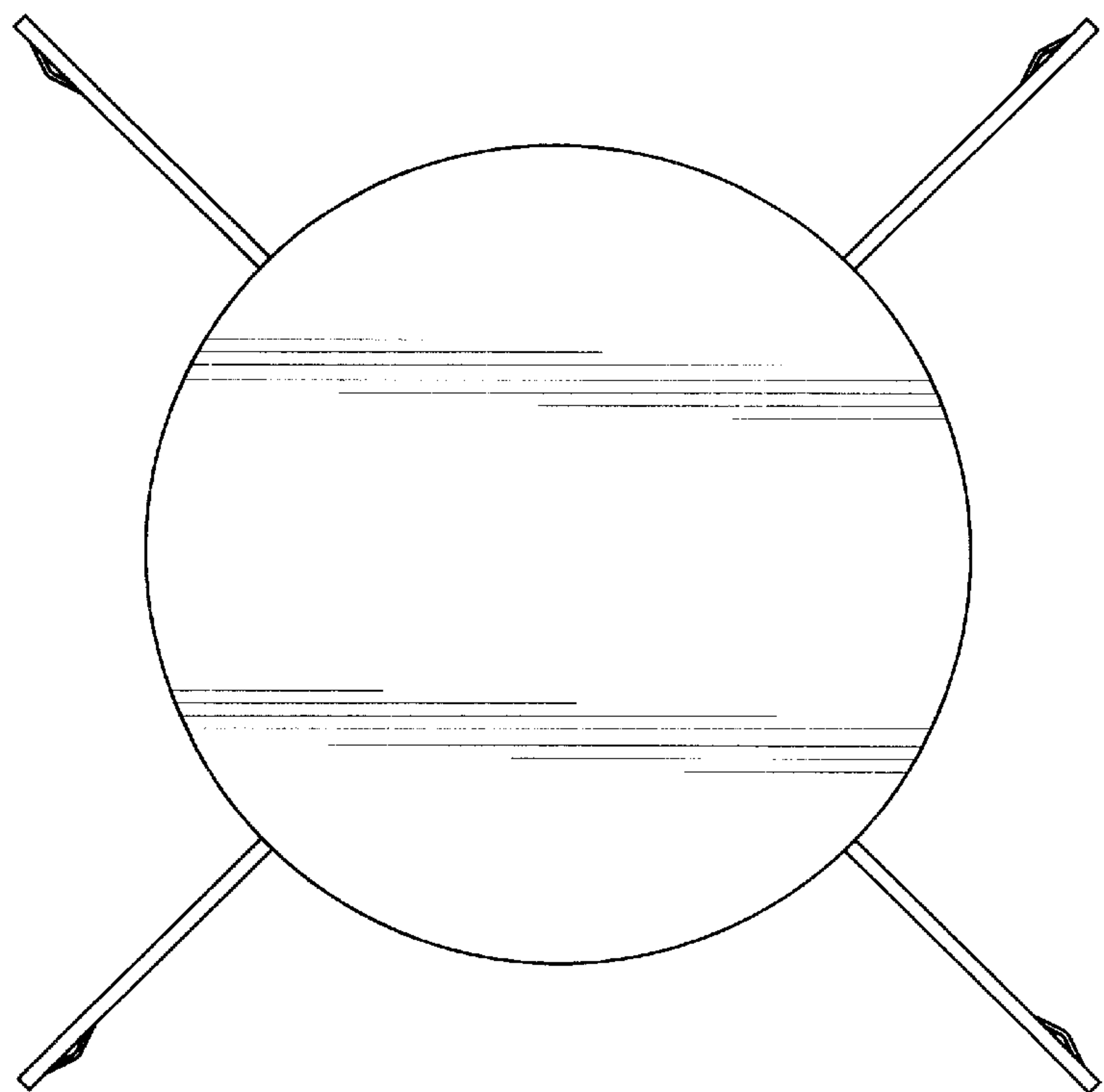


FIG. 7