



US00D468124S

(12) **United States Design Patent**
Stewart

(10) **Patent No.:** **US D468,124 S**

(45) **Date of Patent:** **** Jan. 7, 2003**

(54) **BACK-TO-BACK SEATING UNIT**

(75) **Inventor:** **Kipp Stewart, Carmel, CA (US)**

(73) **Assignee:** **Landscape Forms, Inc., Kalamazoo, MI (US)**

(**) **Term:** **14 Years**

(21) **Appl. No.:** **29/149,383**

(22) **Filed:** **Oct. 9, 2001**

(51) **LOC (7) Cl.** **06-01**

(52) **U.S. Cl.** **D6/381**

(58) **Field of Search** D6/334, 335, 370,
D6/371, 373, 374, 375, 376, 379, 380,
381, 500-502; 297/232, 244, 248, 452.12,
452.18, 452.19, 452.2, 452.63, 411.2

(56) **References Cited**

U.S. PATENT DOCUMENTS

D57,644 S	*	4/1921	Haase	D6/370
D99,556 S	*	5/1936	Smith	D6/379
D106,242 S	*	9/1937	Salomon	D6/381
D109,415 S	*	4/1938	Michelson	D6/381
3,124,390 A	*	3/1964	Eames et al.	297/452.19
3,230,007 A	*	1/1966	Spangler et al.	297/244
D203,817 S	*	2/1966	Burke	D6/381
D215,839 S	*	11/1969	Wormser	D6/370
3,630,566 A	*	12/1971	Barecki	297/452.19
D266,545 S	*	10/1982	Caldwell	D6/370
D323,249 S	*	1/1992	Schwartz	D6/370
D331,518 S	*	12/1992	Grosfillex	D6/381
D337,001 S	*	7/1993	Grosfillex	D6/379

D338,115 S	*	8/1993	Grosfillex	D6/370
D344,200 S	*	2/1994	Schwartz	D6/500
D352,838 S	*	11/1994	Adams	D6/370
D354,405 S	*	1/1995	Greene	D6/370
D381,536 S	*	7/1997	Kane	D6/500
D418,326 S	*	1/2000	Sexton et al.	D6/381
D439,068 S	*	3/2001	Vanderbyl	D6/379

* cited by examiner

Primary Examiner—Doris V. Coles

Assistant Examiner—Mimosa De

(74) *Attorney, Agent, or Firm*—Heslin Rothenberg Farley & Mesiti P.C.

(57) **CLAIM**

The ornamental design for a back-to-back seating unit, as shown and described.

DESCRIPTION

This application is related to commonly owned, concurrently filed applications Ser. No. 29/149,393 and Ser. No. 29/149,334.

FIG. 1 is an isometric view of the back-to-back seating unit of my design;

FIG. 2 is a top plan view thereof;

FIG. 3 is a front elevational view thereof;

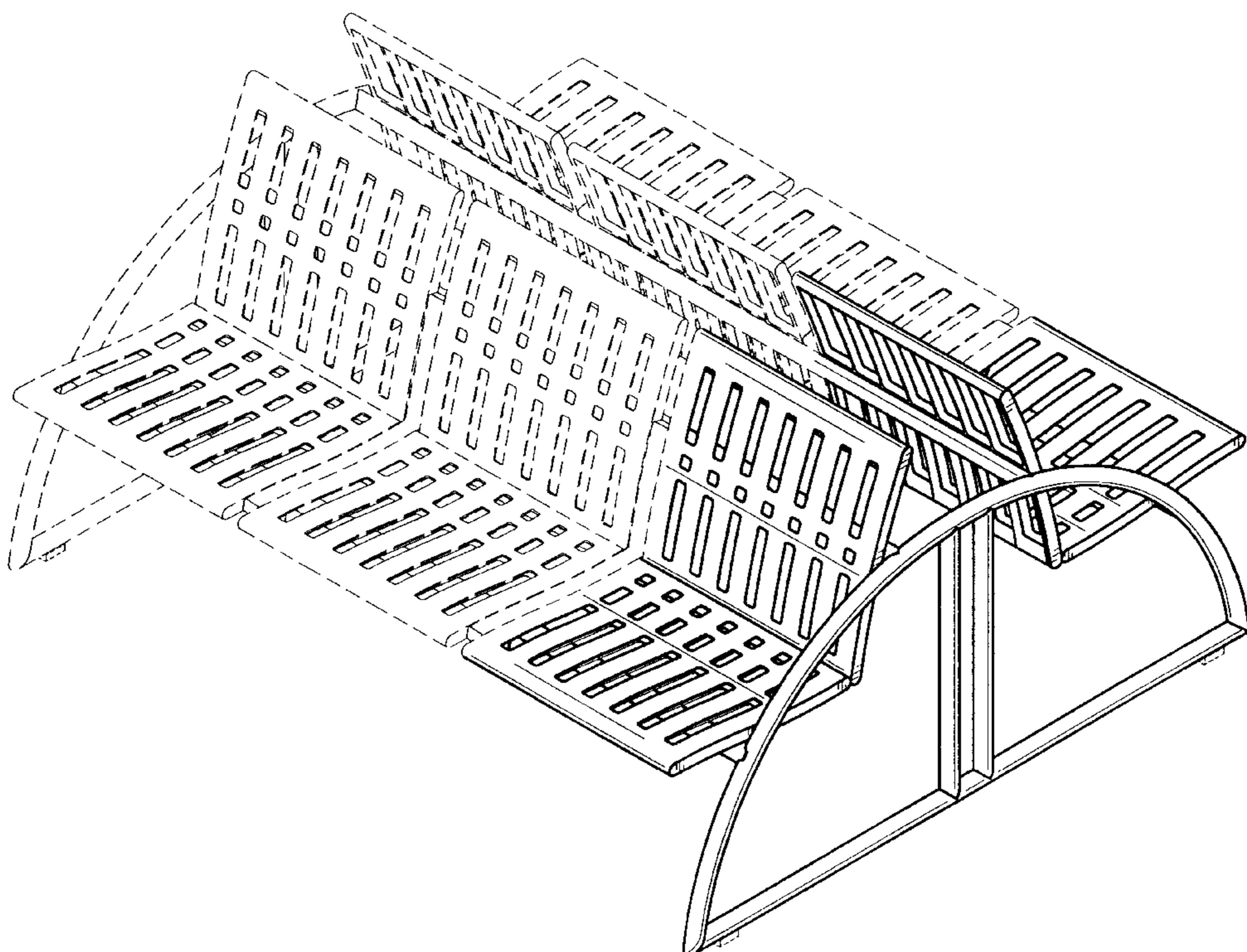
FIG. 4 is a back elevational view thereof;

FIG. 5 is a left side elevational view thereof; and,

FIG. 6 is a right side elevational view thereof.

The broken line showing in the drawing figures is for illustrative purposes only and forms no part of the claimed design.

1 Claim, 5 Drawing Sheets



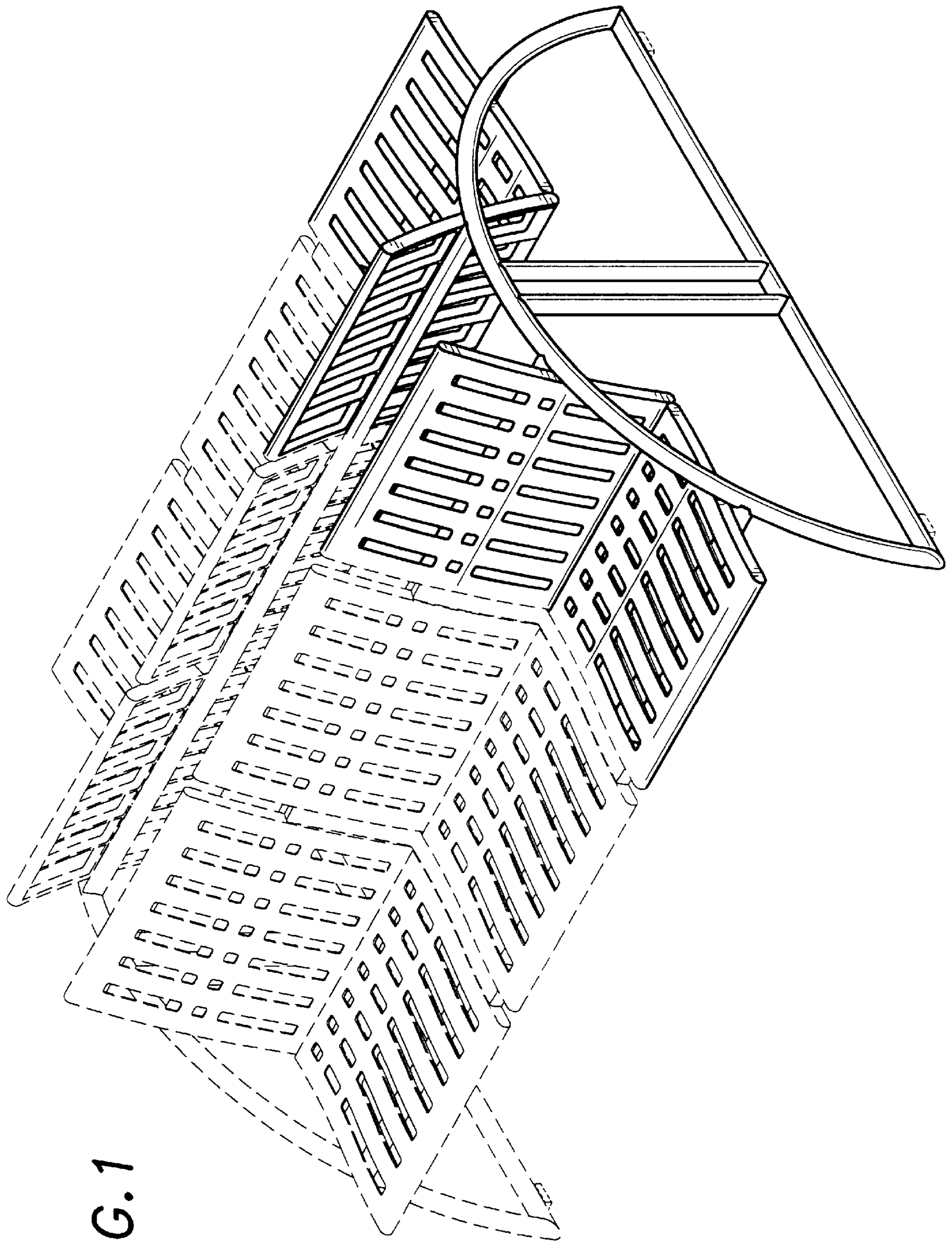


FIG. 1

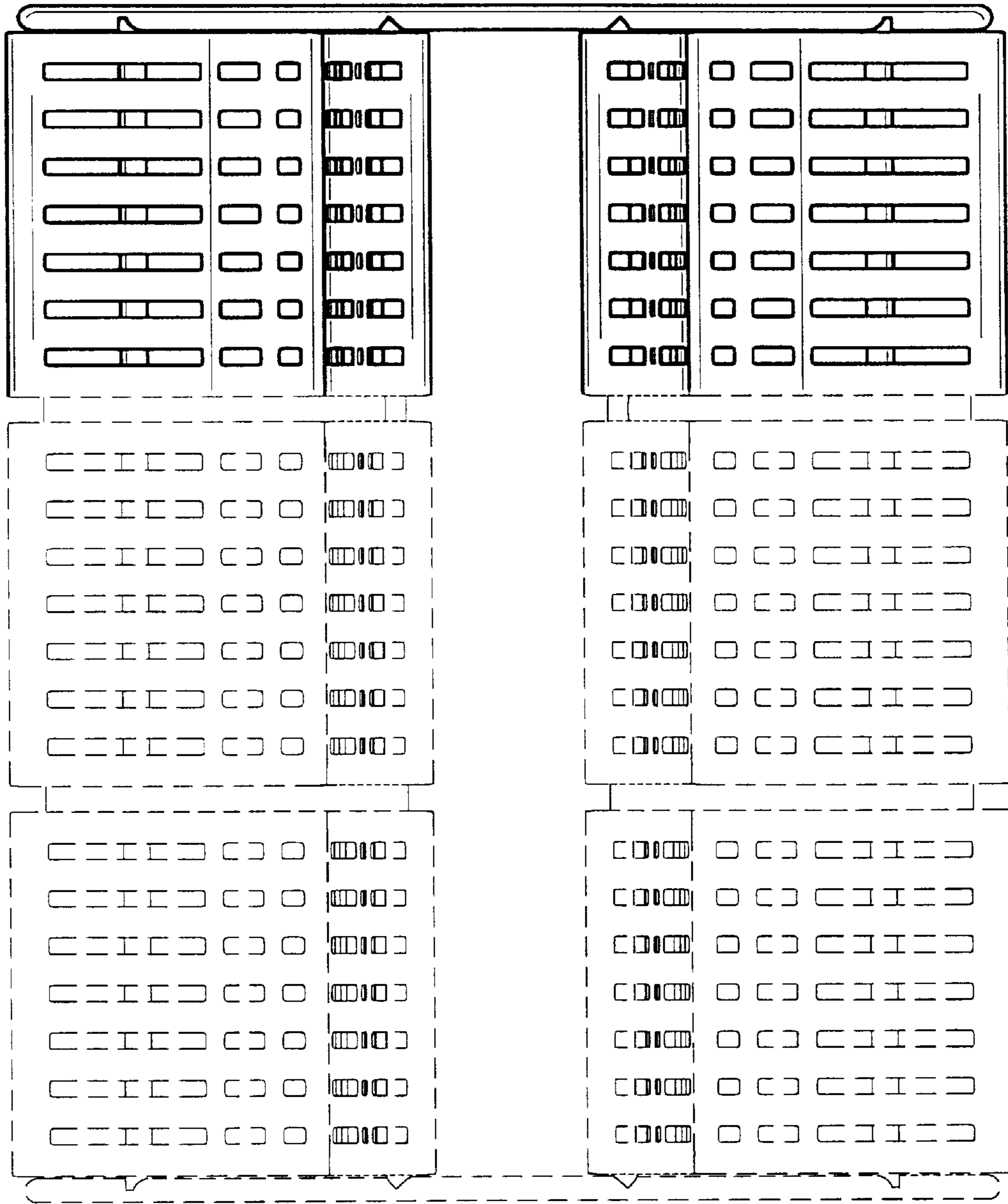


FIG. 2

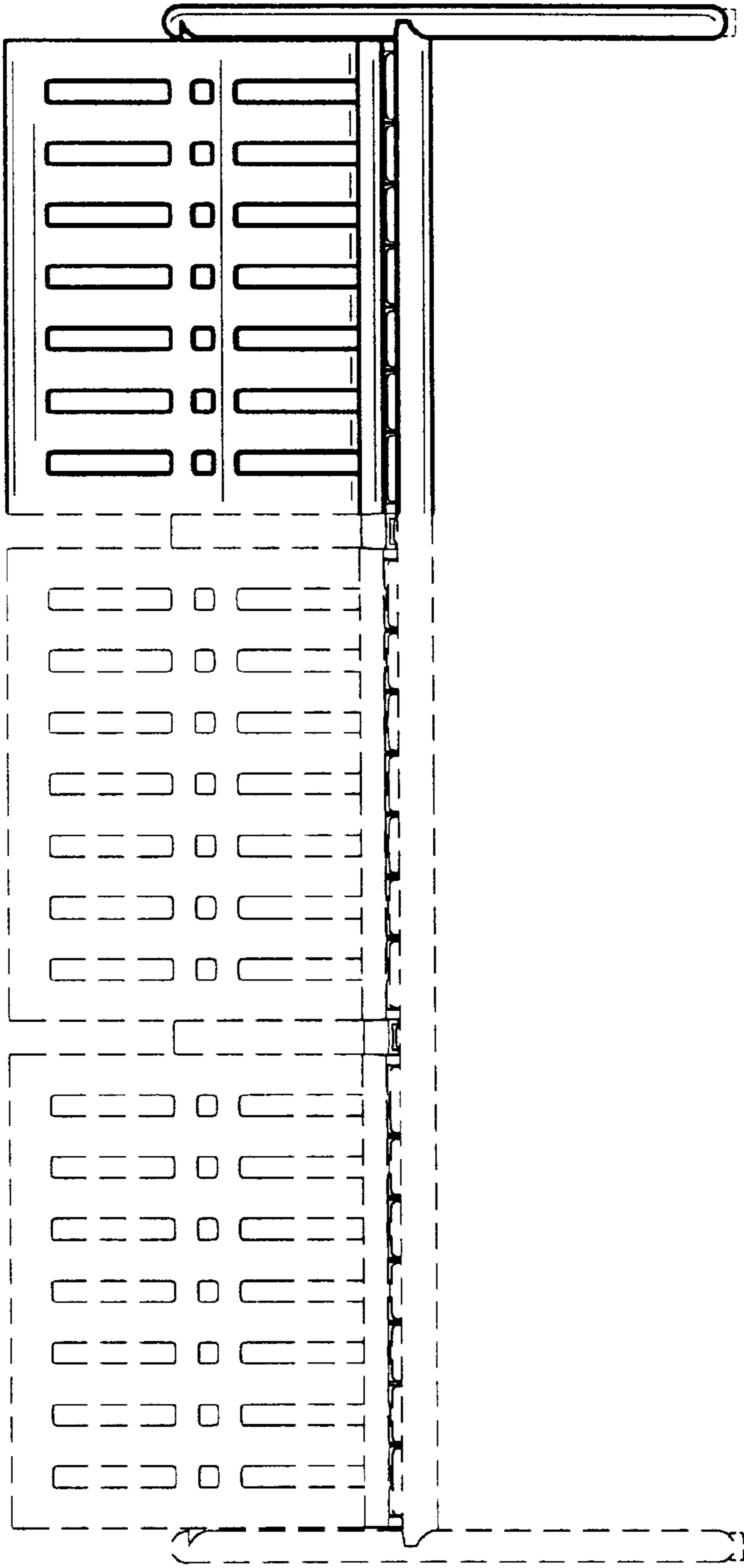


FIG. 3

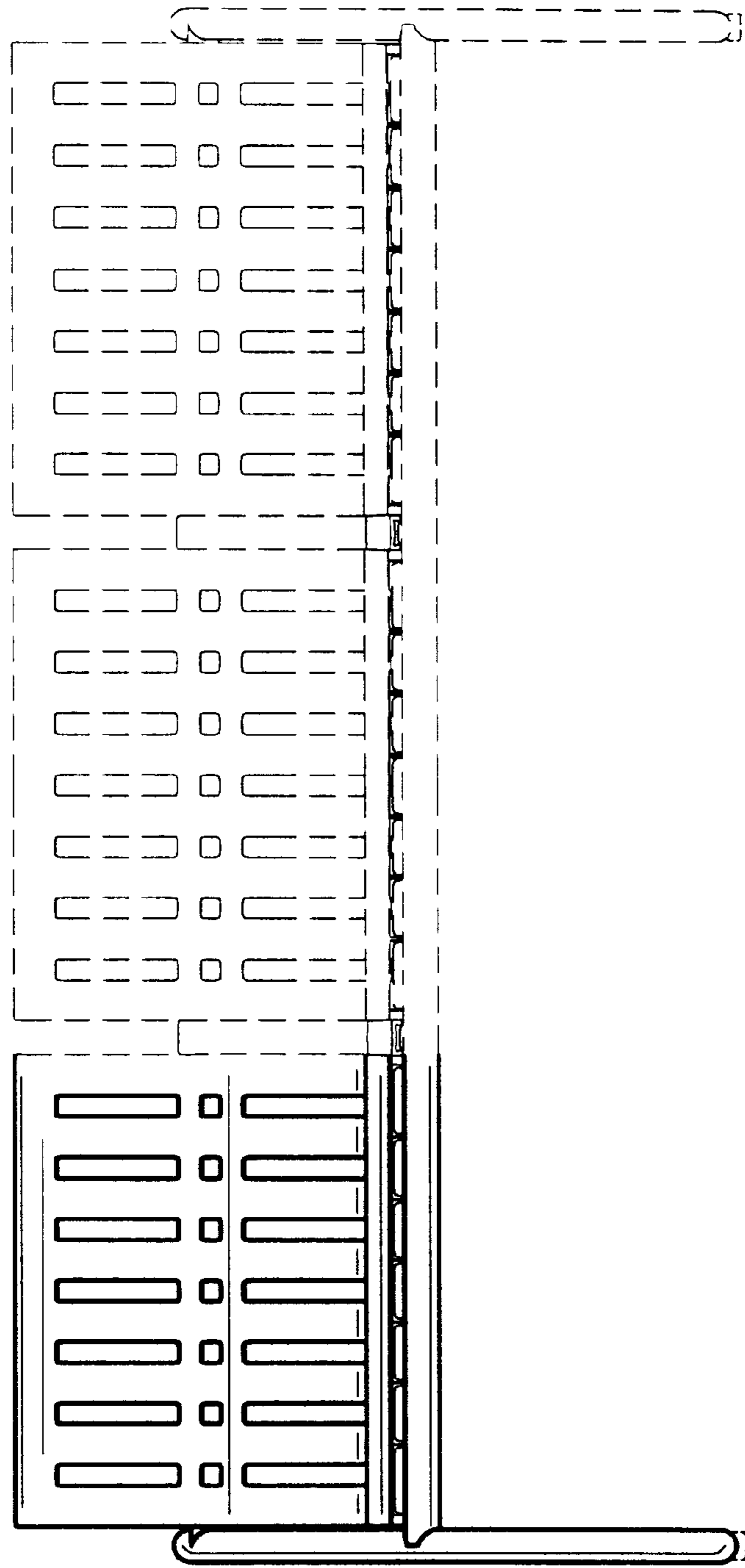


FIG. 4

FIG. 5

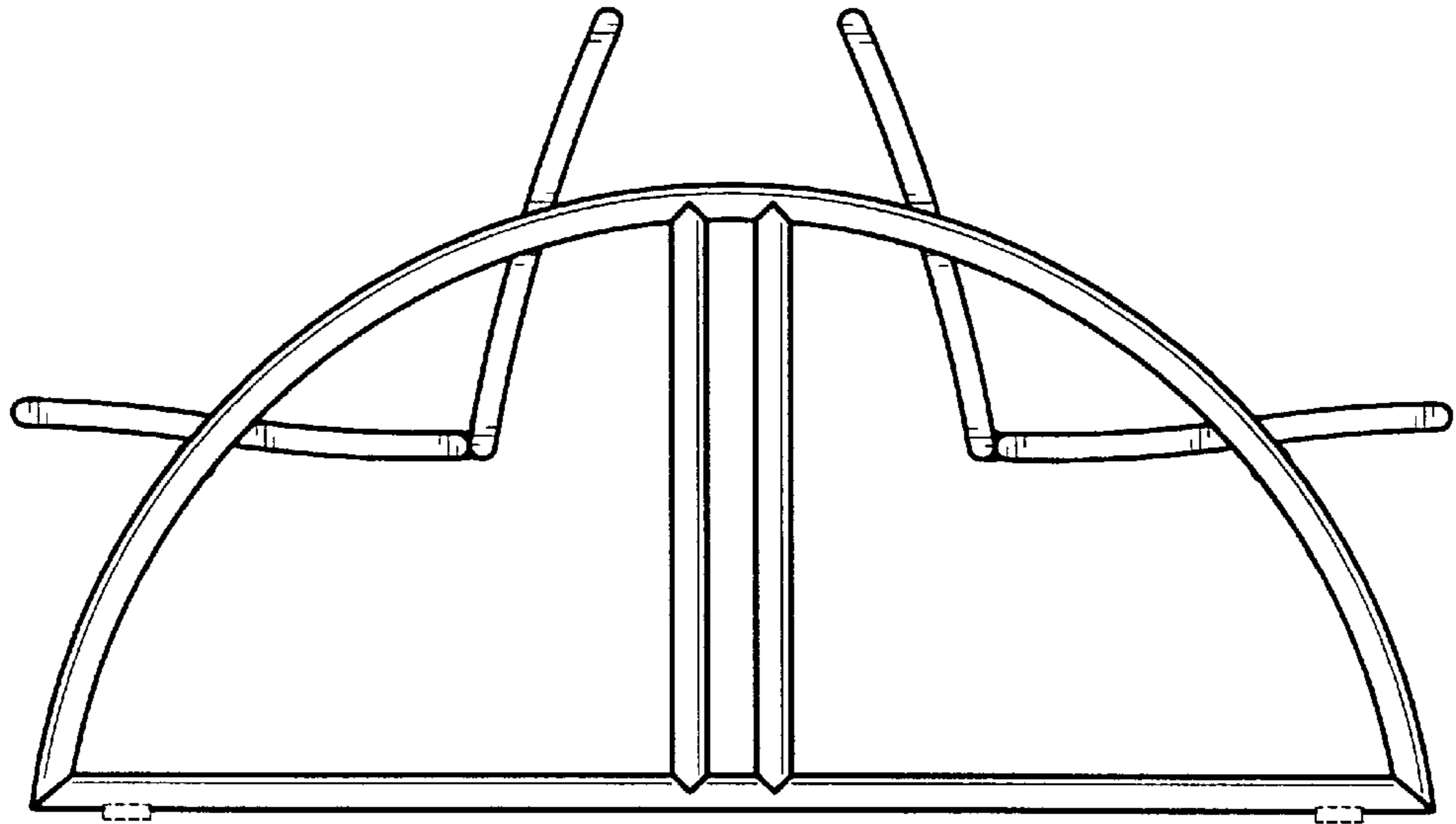


FIG. 6

