



US00D468122S

(12) **United States Design Patent** (10) **Patent No.:** **US D468,122 S**  
**Schweikarth et al.** (45) **Date of Patent:** **\*\* Jan. 7, 2003**

(54) **OFFICE CHAIR**

(75) Inventors: **Derek Schweikarth**, Jasper, IN (US);  
**Donald Woods**, Celestine, IN (US)

(73) Assignee: **Kimball International, Inc.**, Kimball,  
IN (US)

(\*\*) Term: **14 Years**

(21) Appl. No.: **29/143,381**

(22) Filed: **Jun. 12, 2001**

(51) **LOC (7) Cl.** ..... **06-01**

(52) **U.S. Cl.** ..... **D6/366**

(58) **Field of Search** ..... D6/334, 364, 365,  
D6/366, 367, 500, 501, 502; 297/411.2,  
411.27, 411.28

(56) **References Cited**

**U.S. PATENT DOCUMENTS**

D204,374 S	4/1966	Bergstrom	.....	D15/1
D316,937 S	* 5/1991	Murry	.....	D6/366
D330,810 S	* 11/1992	Stafford	.....	D6/366
D348,786 S	7/1994	Tolleson et al.	.....	D6/366
D386,622 S	* 11/1997	Kelley et al.	.....	D6/366
D401,428 S	11/1998	Kaczmarck	.....	D6/366
D402,480 S	12/1998	Stafford	.....	D6/366
D403,519 S	1/1999	Stafford	.....	D6/366
D404,211 S	* 1/1999	Olson	.....	D6/366
D408,162 S	4/1999	Olson et al.	.....	D6/366
D408,164 S	4/1999	Popham et al.	.....	D6/366

**OTHER PUBLICATIONS**

Paoli Furniture, catalog p. 49, Cerise and Wall Street,  
undated.

Winslow, brochure, Medallion, undated.

WinsLoew Company, brochure, Medallion Executive Col-  
lection, undated.

Jofco, advertisement, Portrait Collection designed by  
Andrew Gower, undated.

WinsLoew Company, brochure, Hartley, undated.

Lowenstein, May 1998 Neocon brochure, p. 46.

CabotWren, advertisement, Chambers, Terrance Hunt Col-  
lection, undated.

\* cited by examiner

*Primary Examiner*—Gary D. Watson

(74) *Attorney, Agent, or Firm*—Baker & Daniels

(57) **CLAIM**

The ornamental design for an office chair, as shown and  
described.

**DESCRIPTION**

FIG. 1 is a perspective view of an office chair showing a first  
embodiment of our new design;

FIG. 2 is a front view thereof;

FIG. 3 is a right side view thereof;

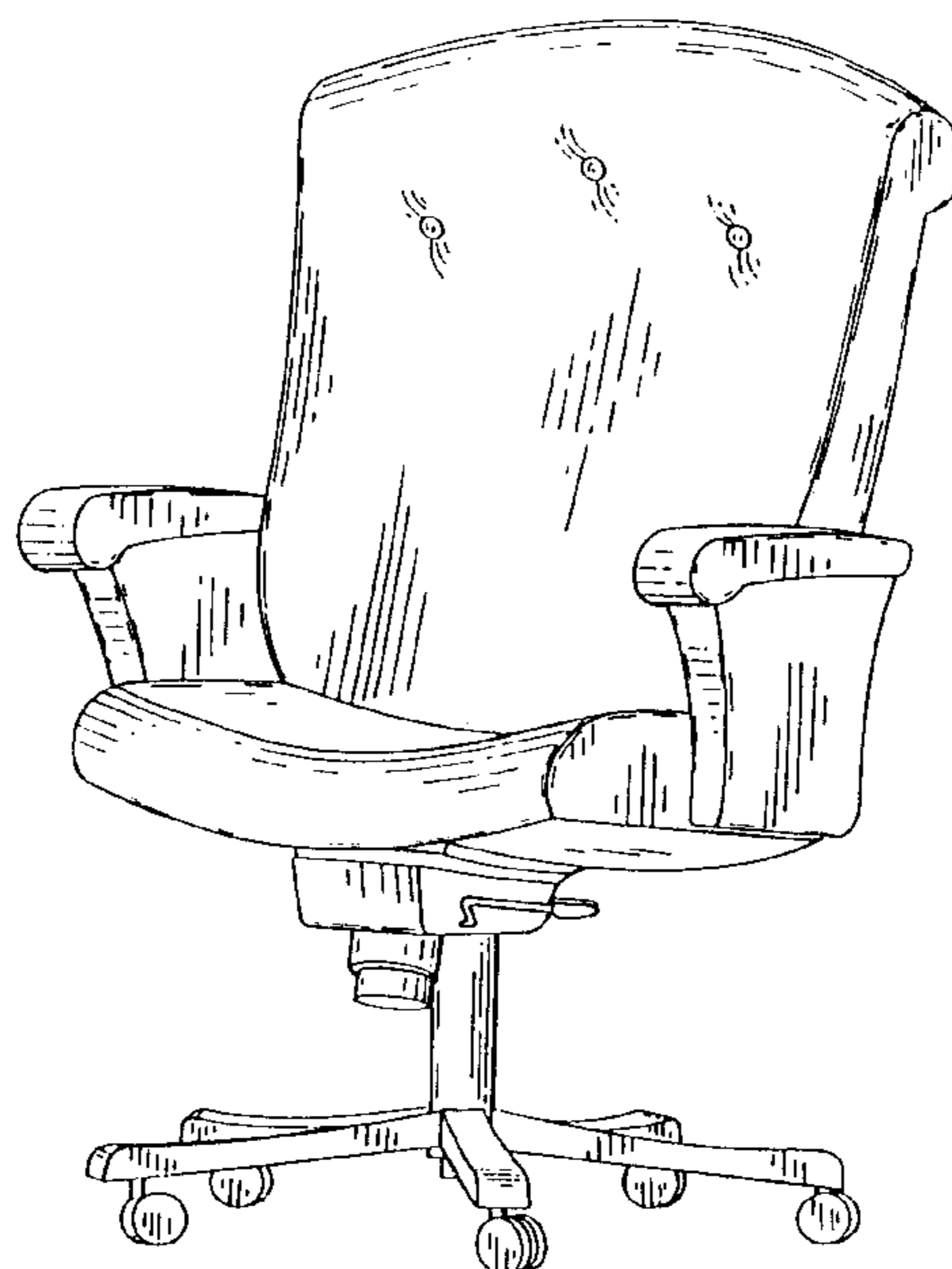
FIG. 4 is a back view thereof;

FIG. 5 is a top view thereof;

FIG. 6 is a left side view thereof; and,

FIG. 7 is a left side view of a second embodiment of our new  
design, wherein the only difference between same and the  
embodiment of FIGS. 1–6 is an insert in the sides of the  
chair arms.

**1 Claim, 4 Drawing Sheets**



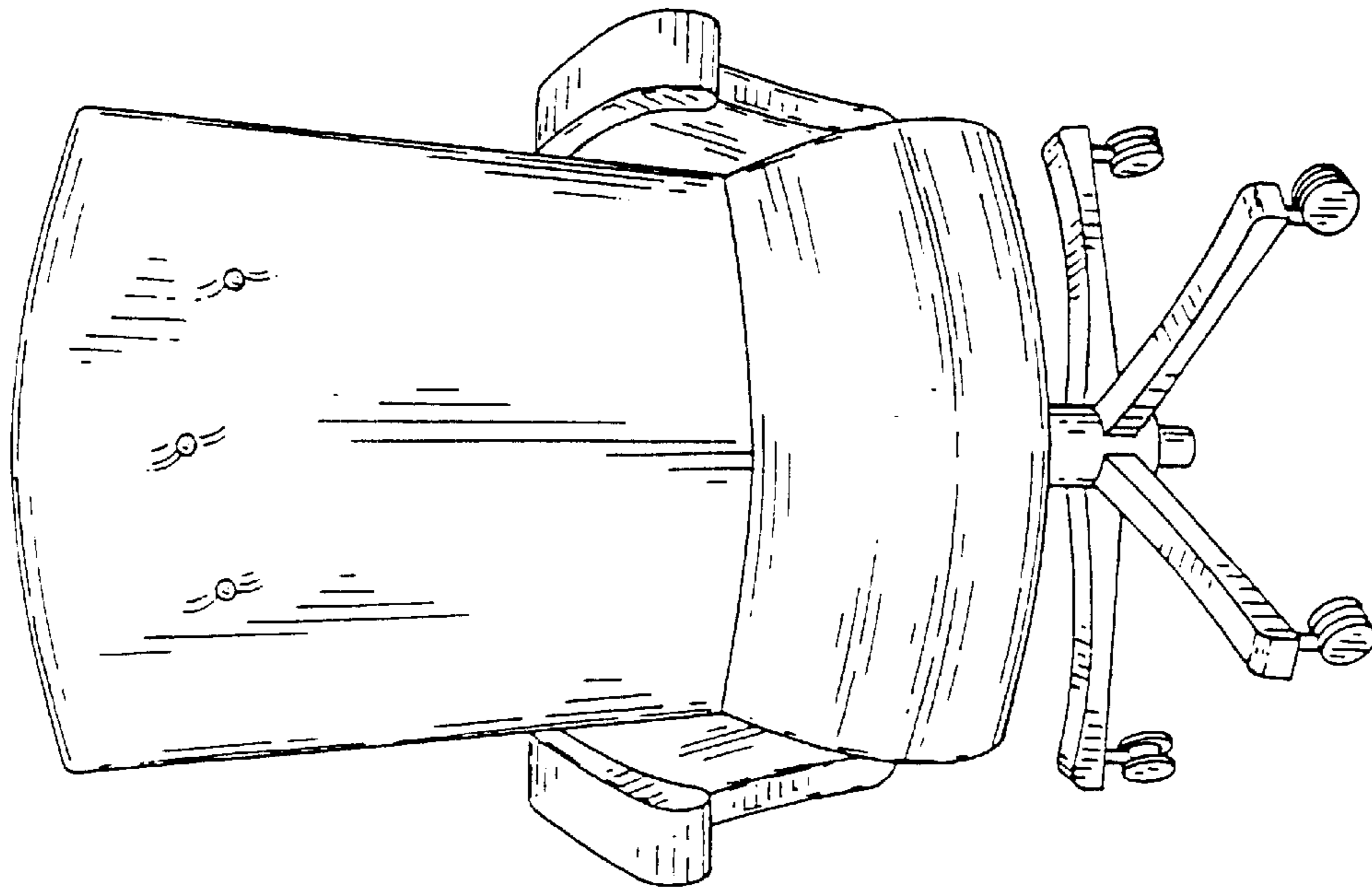


FIG. 2

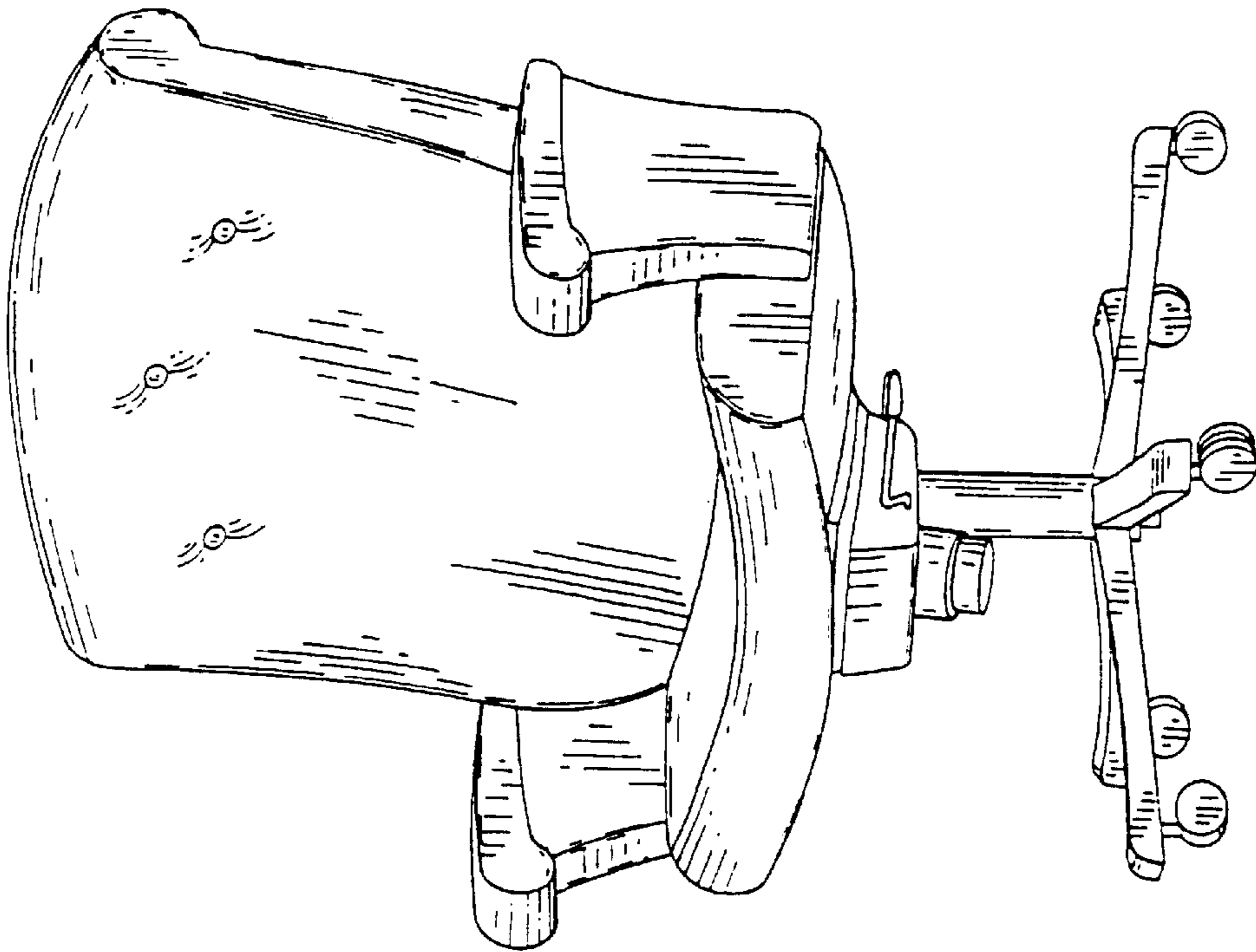


FIG. 1

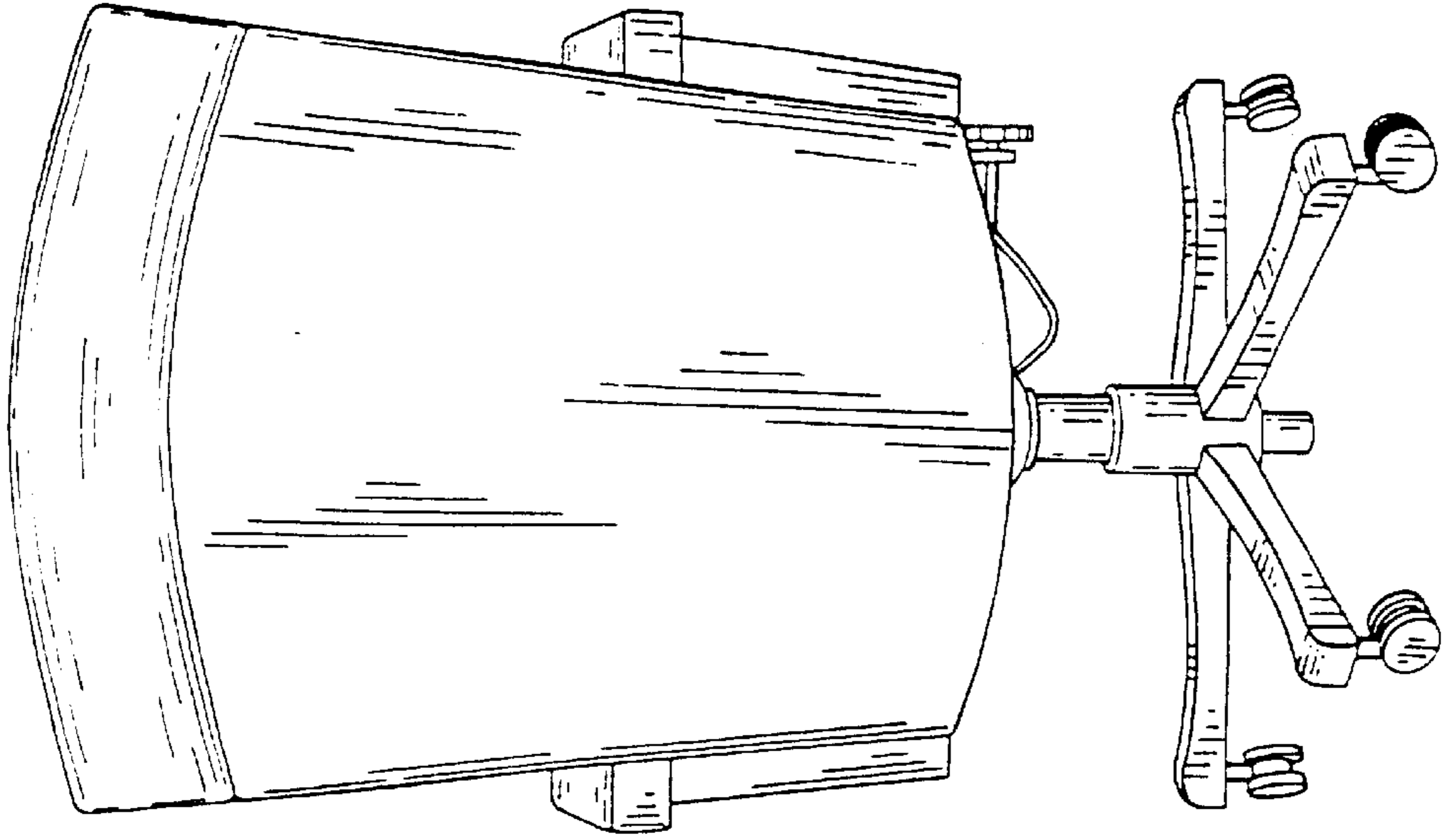


Fig. 4

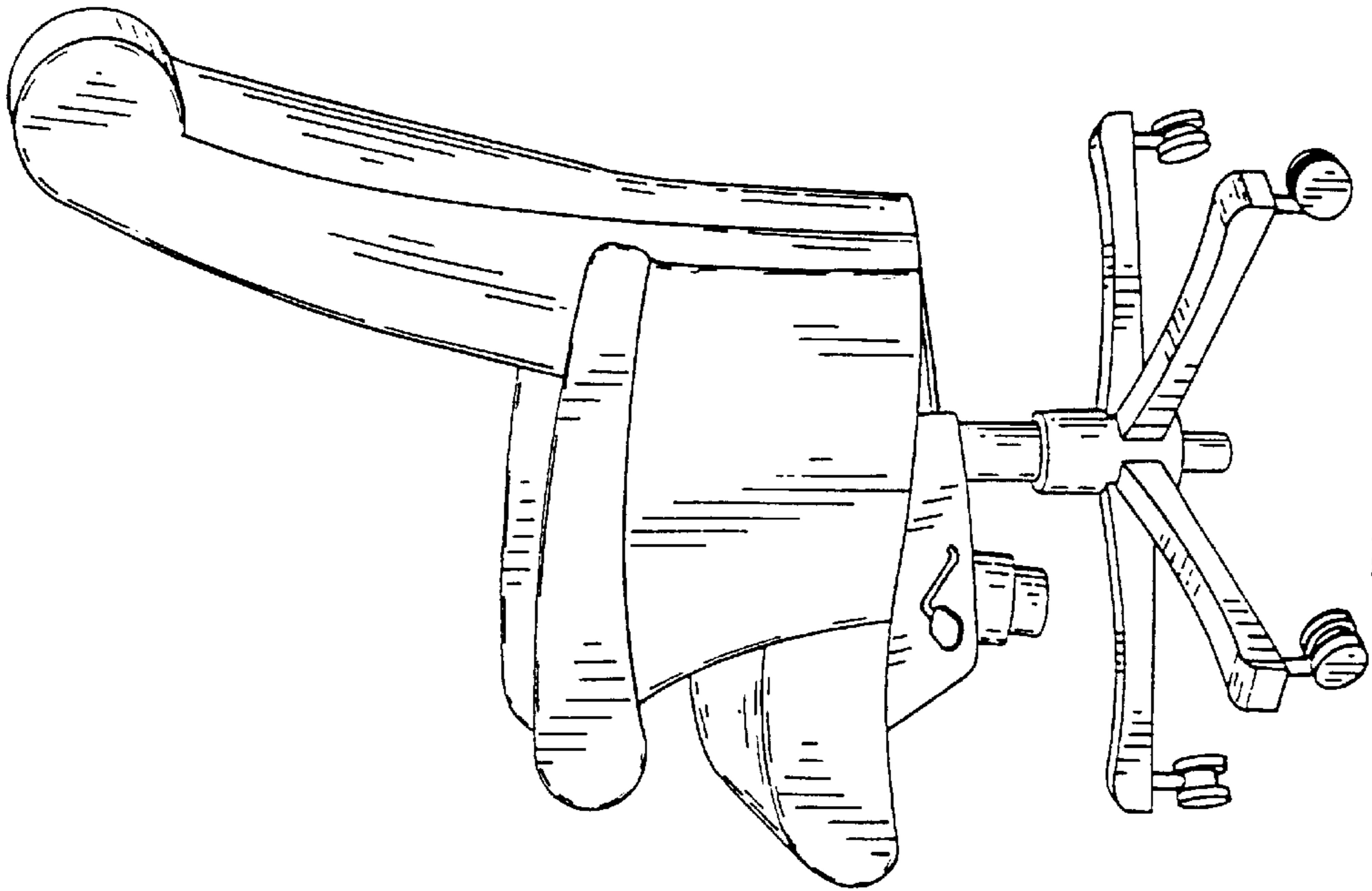


Fig. 3

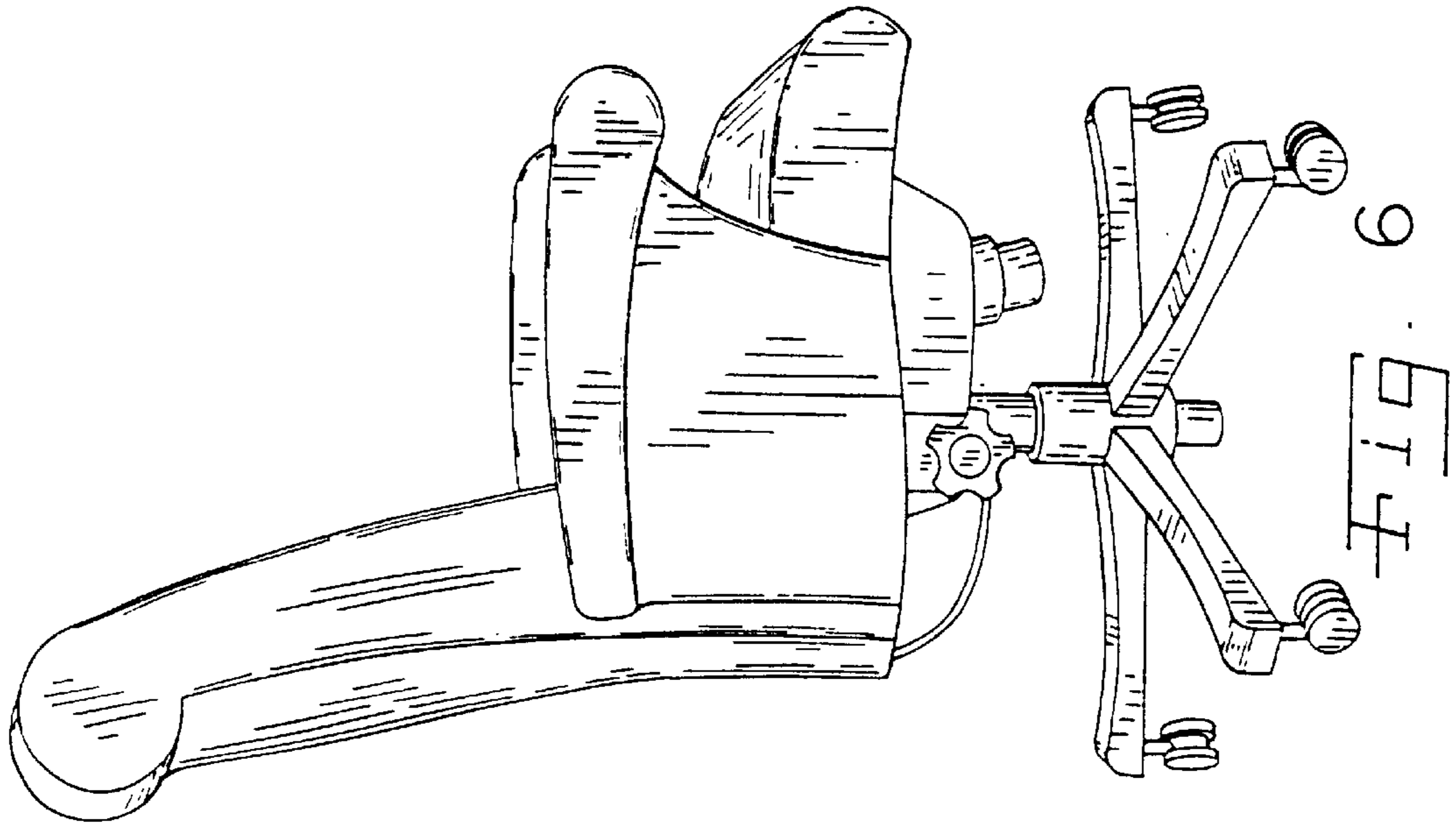


Fig. 6

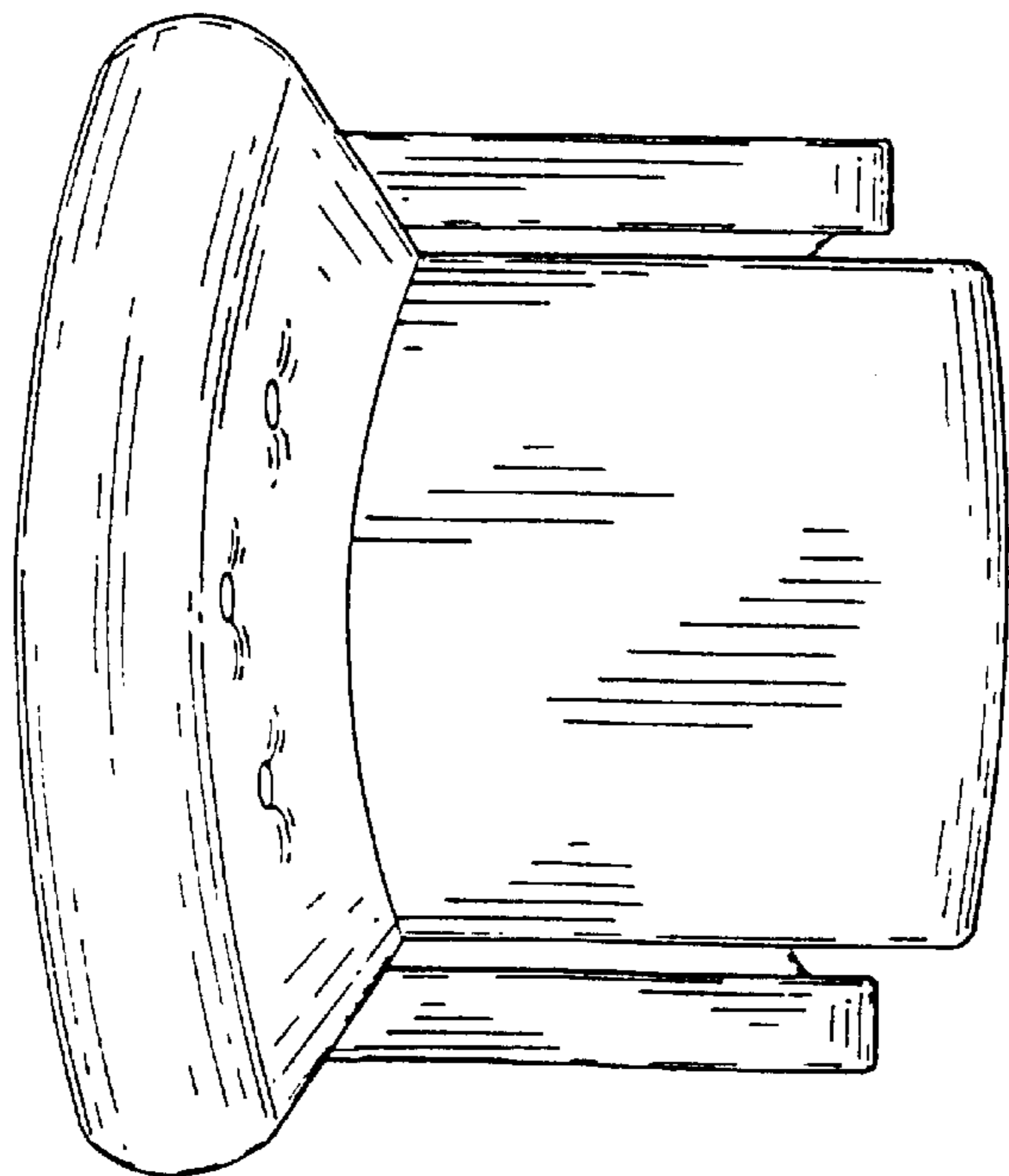


Fig. 5

