



US00D468119S

(12) **United States Design Patent**
Zaidman

(10) **Patent No.:** **US D468,119 S**

(45) **Date of Patent:** **** Jan. 7, 2003**

(54) **CHAIR**

(75) Inventor: **Paul Zaidman, Winnipeg (CA)**

(73) Assignee: **Chairworks Taiwan Limited (CN)**

(**) Term: **14 Years**

(21) Appl. No.: **29/143,298**

(22) Filed: **Jun. 11, 2001**

(30) **Foreign Application Priority Data**

Dec. 12, 2000 (CA) 2000-3285

(51) **LOC (7) Cl.** **06-01**

(52) **U.S. Cl.** **D6/365**

(58) **Field of Search** D6/334, 344, 364,
D6/365, 367, 368, 500-502; 297/68, 317,
451.4, 451.5, 452.35, 452.36

(56) **References Cited**

U.S. PATENT DOCUMENTS

- D286,105 S * 10/1986 Goldman D6/365
- D291,265 S * 8/1987 Heggdal et al. D6/367
- D298,491 S * 11/1988 Haukvik et al. D6/367
- D316,936 S * 5/1991 Ekornes et al. D6/365

- D364,283 S * 11/1995 Zaidman D6/365
- 5,782,535 A * 7/1998 Lafer 297/68
- D405,282 S * 2/1999 Desnoyers et al. D6/365
- D414,630 S * 10/1999 Buscio et al. D6/500
- D415,373 S * 10/1999 Zaidman D6/500
- D417,982 S * 12/1999 Zaidman D6/500

* cited by examiner

Primary Examiner—Stacia Cadmus

Assistant Examiner—Mimosa De

(74) *Attorney, Agent, or Firm*—Bierman, Muserlian and Lucas

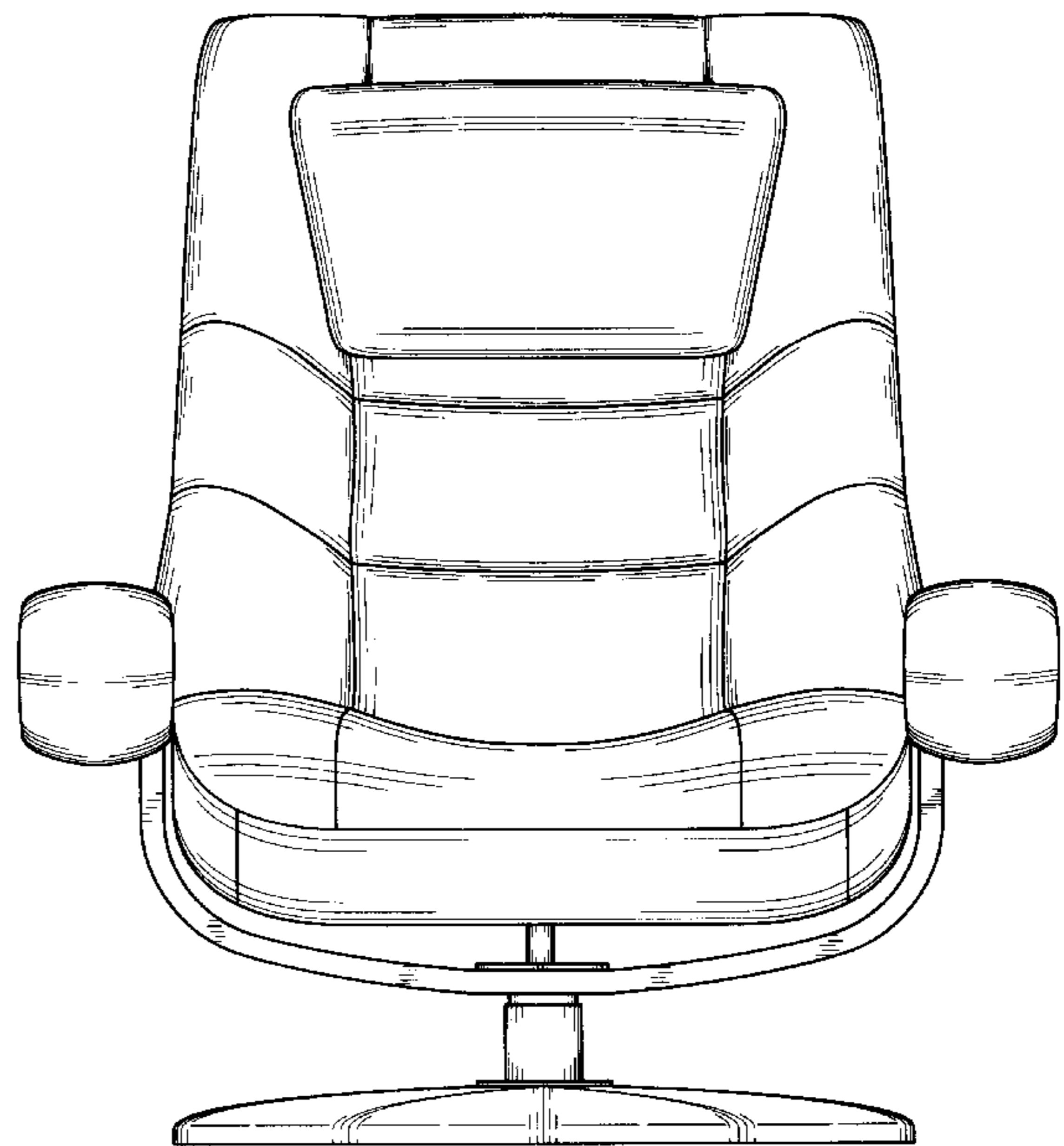
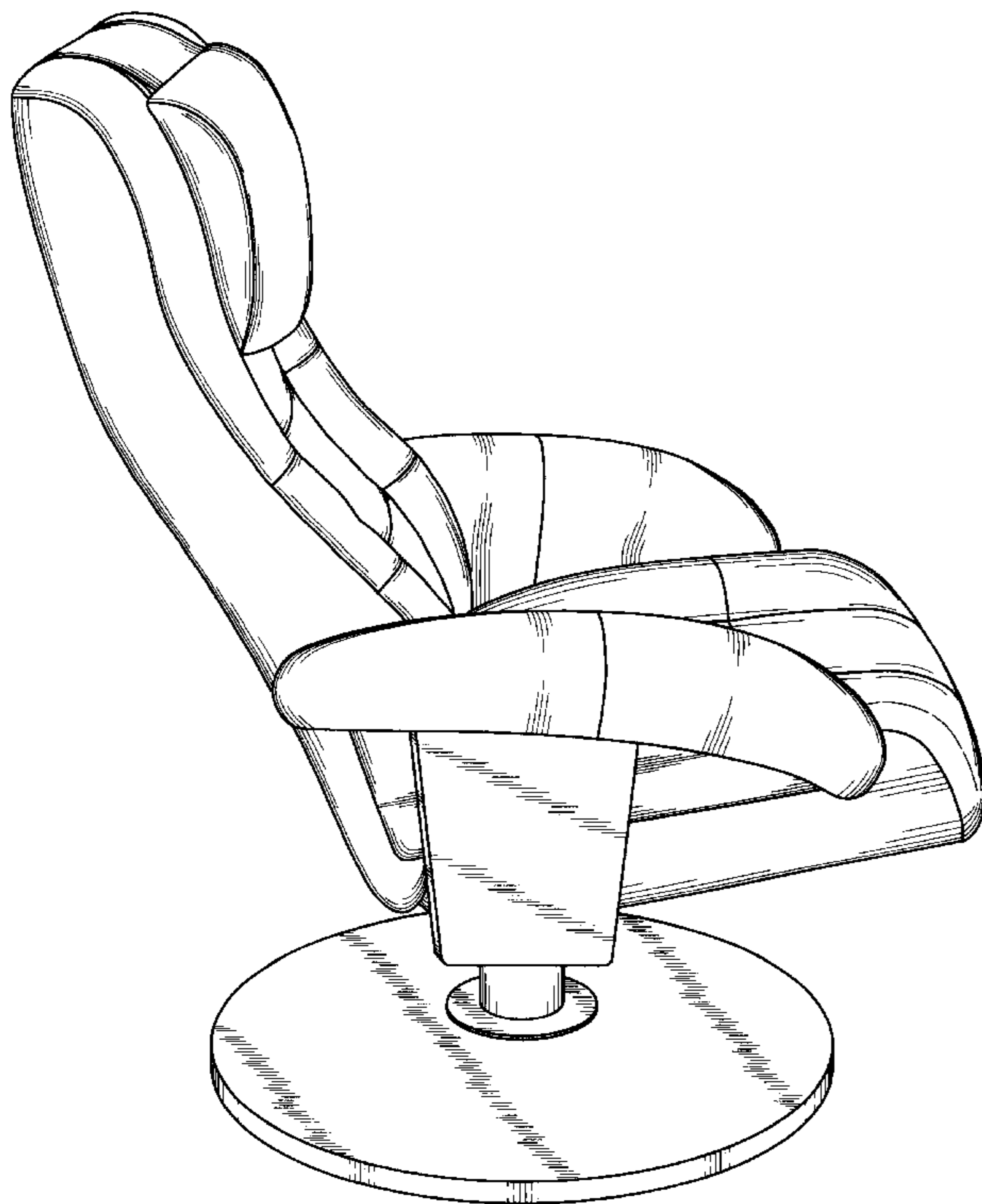
(57) **CLAIM**

The ornamental design for a chair, substantially as shown and described.

DESCRIPTION

FIG. 1 is a perspective view of my chair design; FIG. 2 is a front view of my chair design; FIG. 3 is a back view of my chair design; FIG. 4 is a side view of my chair design; FIG. 5 is a top view of my chair design; and, FIG. 6 is a bottom view of my chair design.

1 Claim, 6 Drawing Sheets



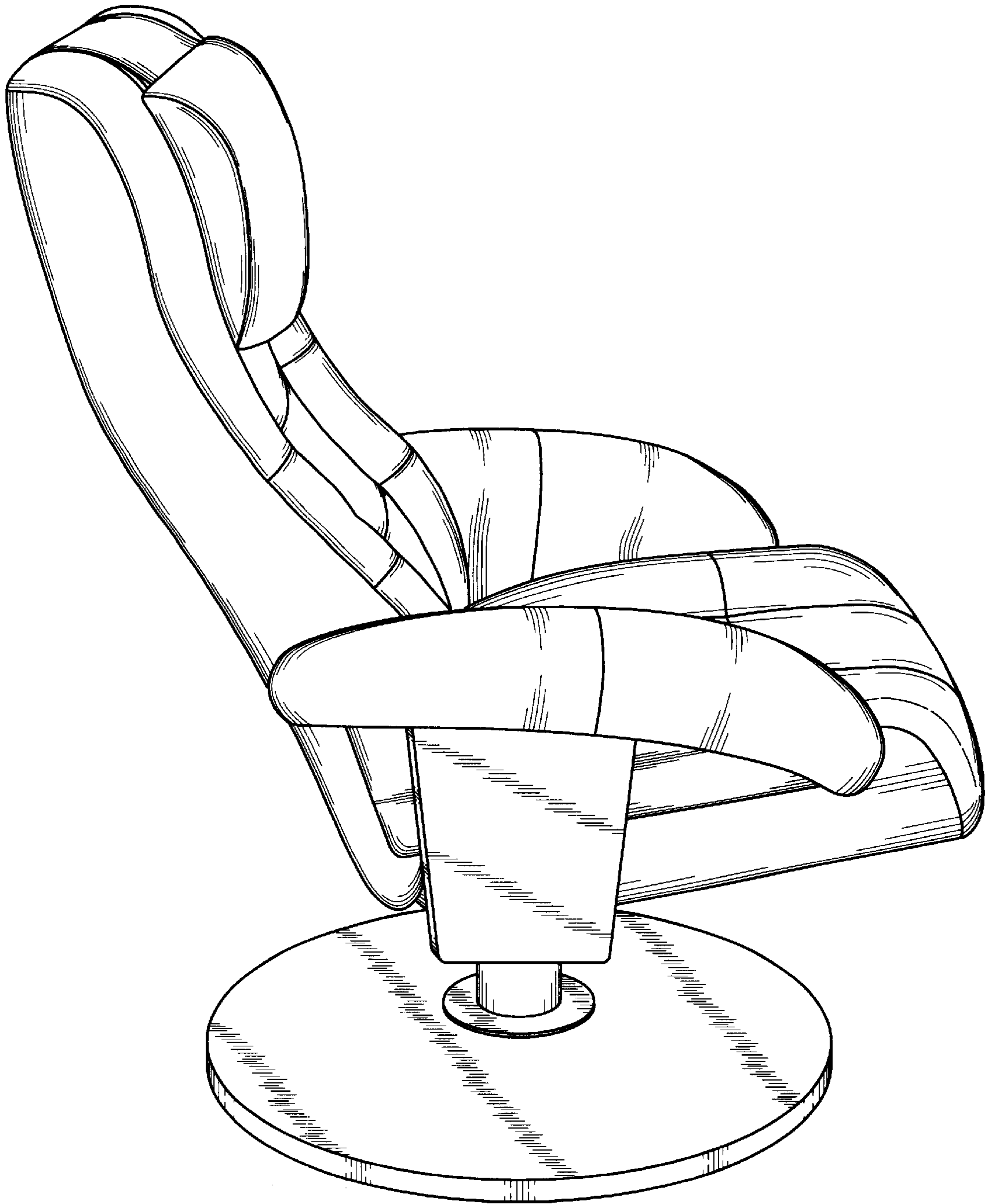


FIG. 1

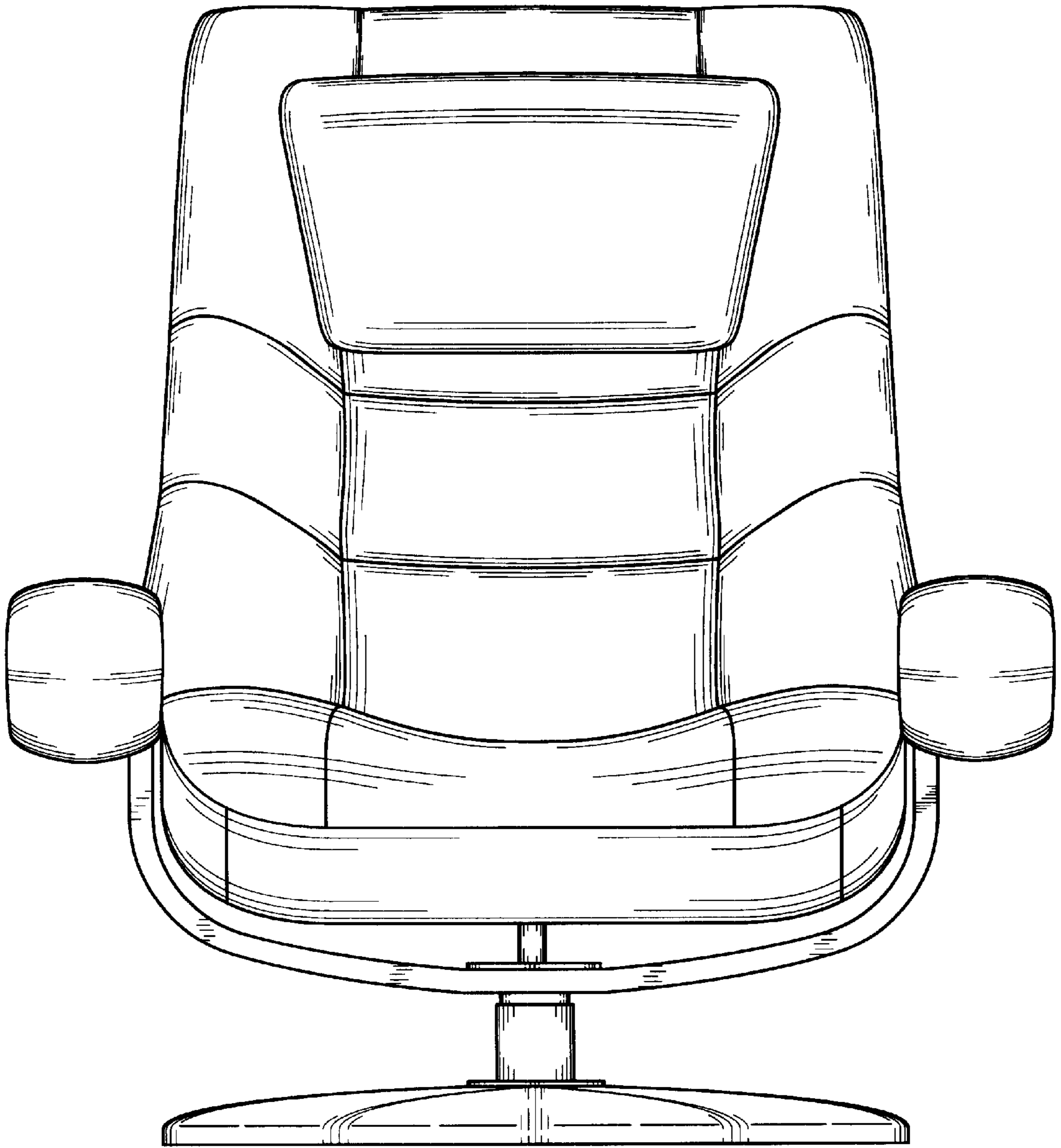


FIG. 2

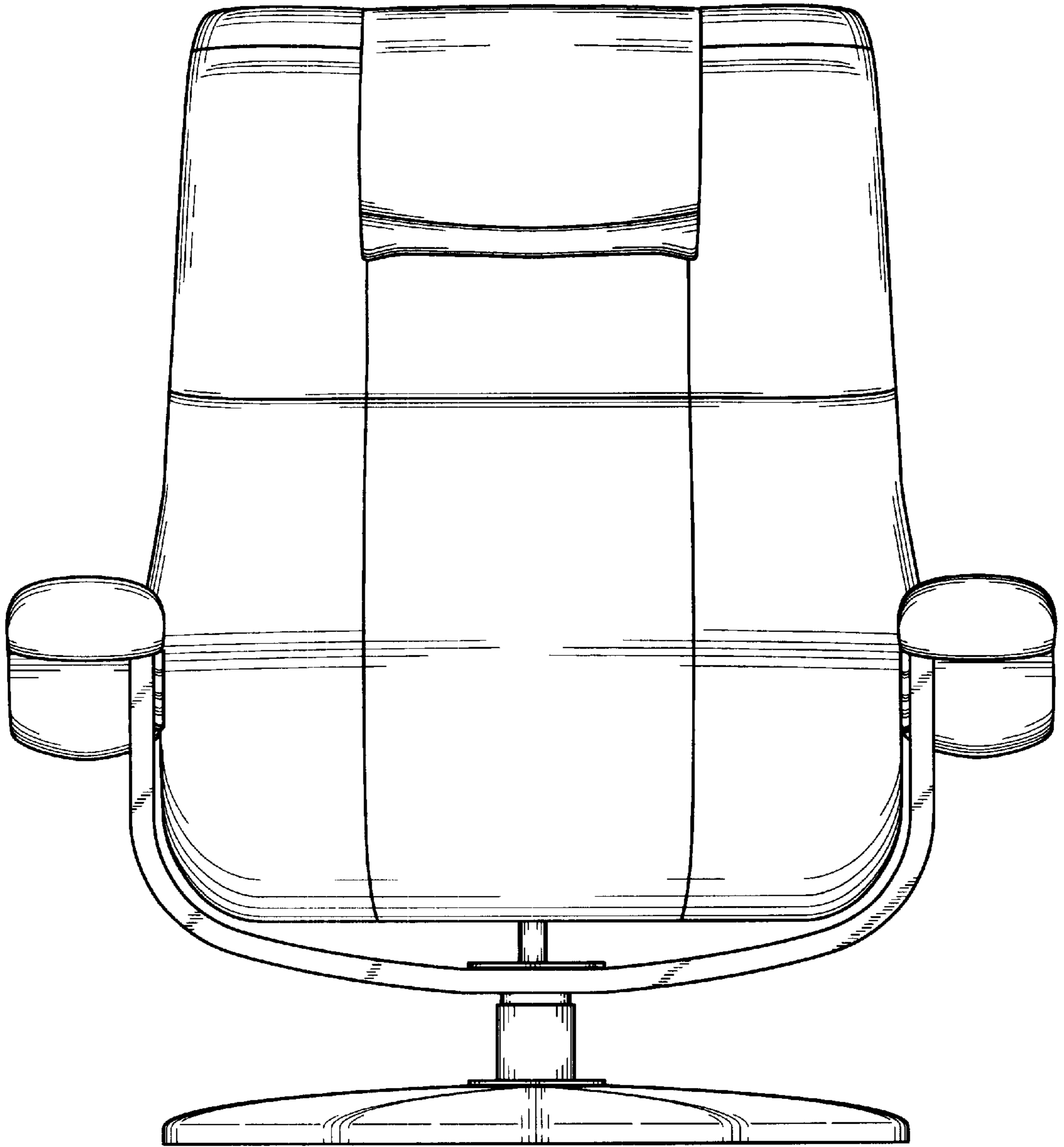


FIG. 3



FIG. 4

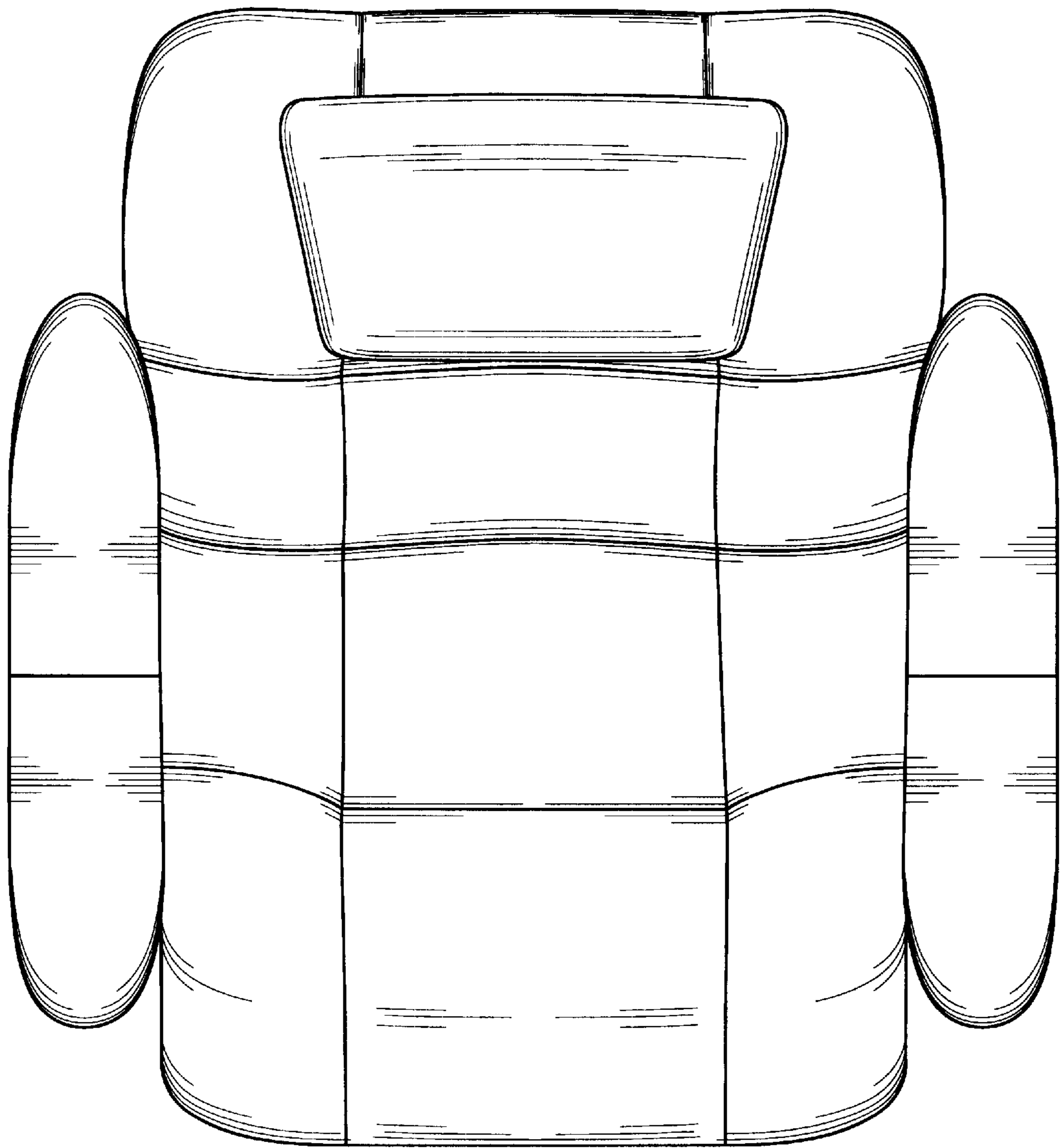


FIG. 5

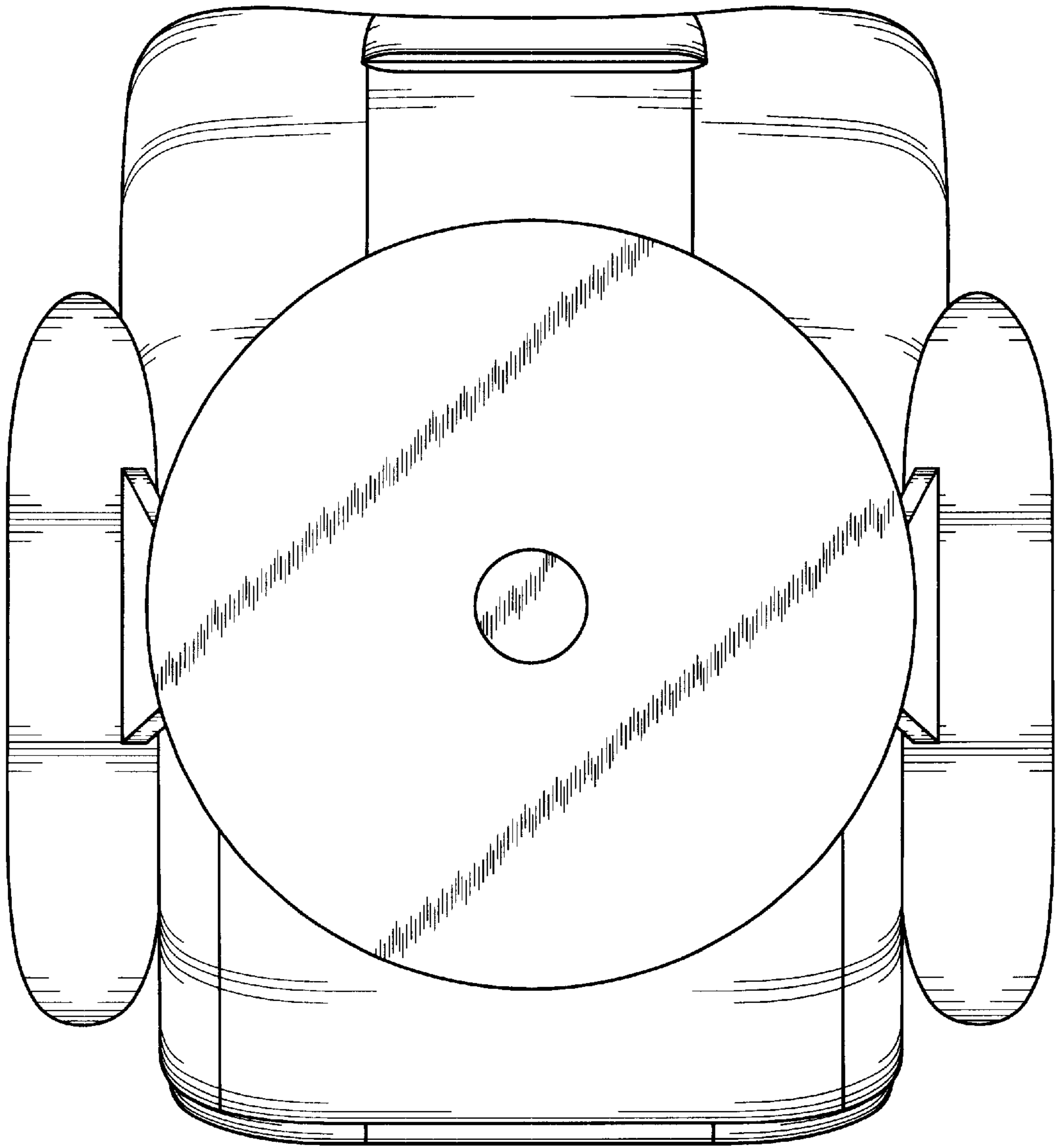


FIG. 6