



US00D468116S

(12) **United States Design Patent**  
**Champion**

(10) **Patent No.:** **US D468,116 S**

(45) **Date of Patent:** **\*\* Jan. 7, 2003**

(54) **TABLE AND STOOLS FOR SWIMMING POOL**

*Primary Examiner—Doris V. Coles*  
*Assistant Examiner—Mimosa De*  
(74) *Attorney, Agent, or Firm—Patrick J. Hofbauer*

(75) **Inventor:** **Clive A. Champion, Oakville (CA)**

(73) **Assignee:** **The Artistcraft Group Inc., Oakville (CA)**

(57) **CLAIM**

(\*\*) **Term:** **14 Years**

The ornamental design for a table and stools for swimming pool, as shown and described.

(21) **Appl. No.:** **29/158,463**

(22) **Filed:** **Apr. 5, 2002**

**DESCRIPTION**

(51) **LOC (7) Cl.** ..... **06-01**

(52) **U.S. Cl.** ..... **D6/336**

(58) **Field of Search** ..... D6/335, 336, 337,  
D6/338, 362, 364, 481, 500–502; 297/135,  
144, 147, 157.1, 158.1–158.5, 159.1

FIG. 1 is a perspective view of a table and stools for swimming pool, with the wall of swimming pool and of an umbrella which may optionally be connected to the apparatus of the design (which are both not part of the design) both shown in phantom outline;

FIG. 2 is a view similar to FIG. 1, with the phantom lining removed;

FIG. 3 is a top plan view of the table and stools shown in FIG. 2;

FIG. 4 is a front side elevational view of the table and stools of FIG. 3;

FIG. 5 is a back side elevational view of the table and stools of FIG. 3;

FIG. 6 is a right side elevational view of the table and stools of FIG. 3;

FIG. 7 is bottom plan view of the table and stools of FIG. 3; and,

FIG. 8 is a left side elevational view of the table and stools of FIG. 3 embodying my design.

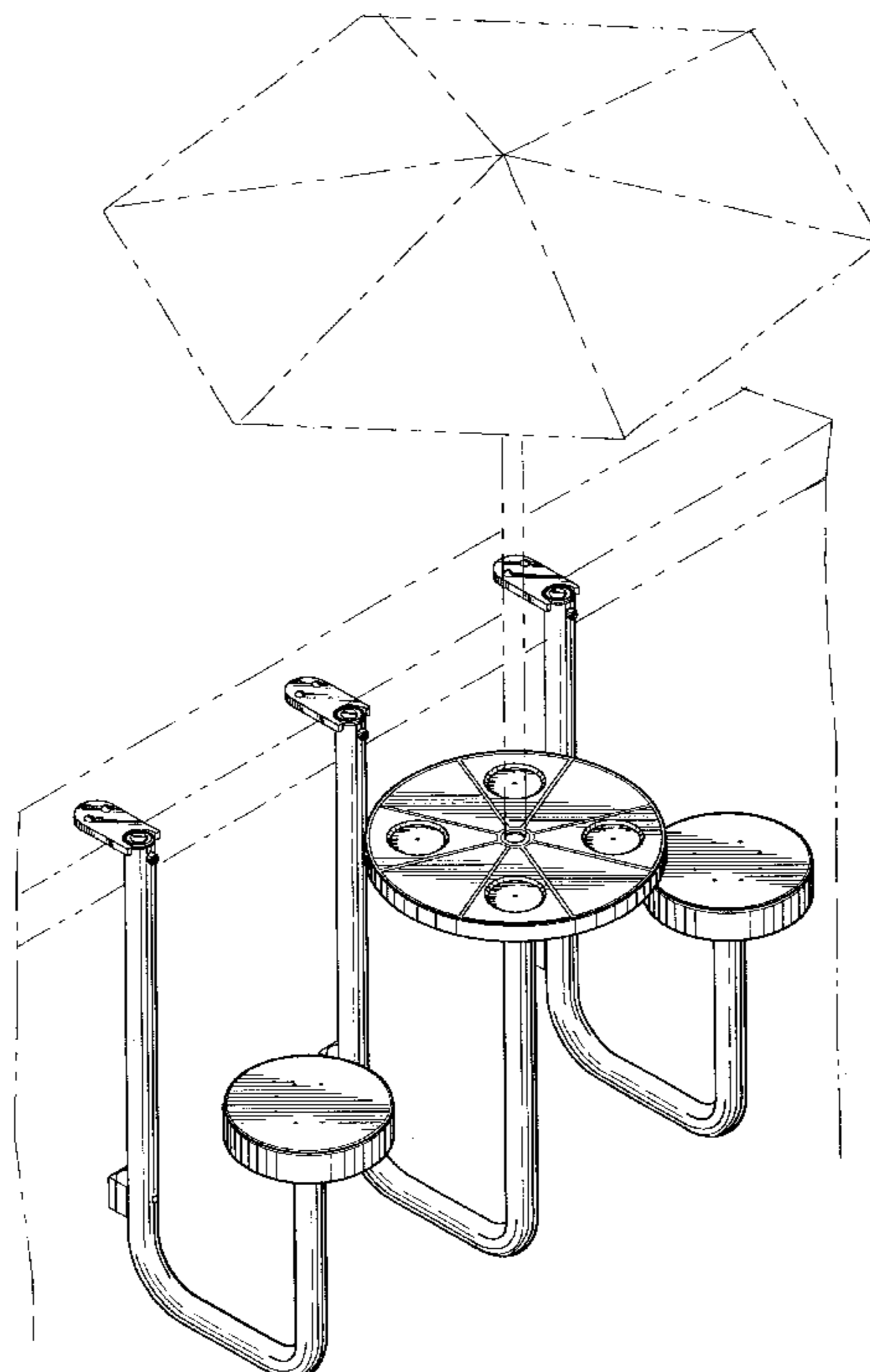
(56) **References Cited**

**U.S. PATENT DOCUMENTS**

681,394	A	*	8/1901	Hile	.....	297/157.1
731,559	A	*	6/1903	Fields	.....	297/147
1,143,416	A	*	6/1915	Mathews	.....	297/157.1
1,938,345	A	*	12/1933	Monchiero et al.	.....	297/147
D96,841	S	*	9/1935	Kelley	.....	D6/337
D179,806	S	*	3/1957	Lord	.....	D6/338
D194,038	S	*	11/1962	Preston	.....	D6/337
D244,409	S	*	5/1977	Arnold	.....	D6/337
D268,971	S	*	5/1983	Reineman	.....	D6/337
D367,184	S	*	2/1996	Toleson	.....	D6/337
D369,913	S	*	5/1996	Nill	.....	D6/337
D439,060	S	*	3/2001	Larsen	.....	D6/337

\* cited by examiner

**1 Claim, 5 Drawing Sheets**



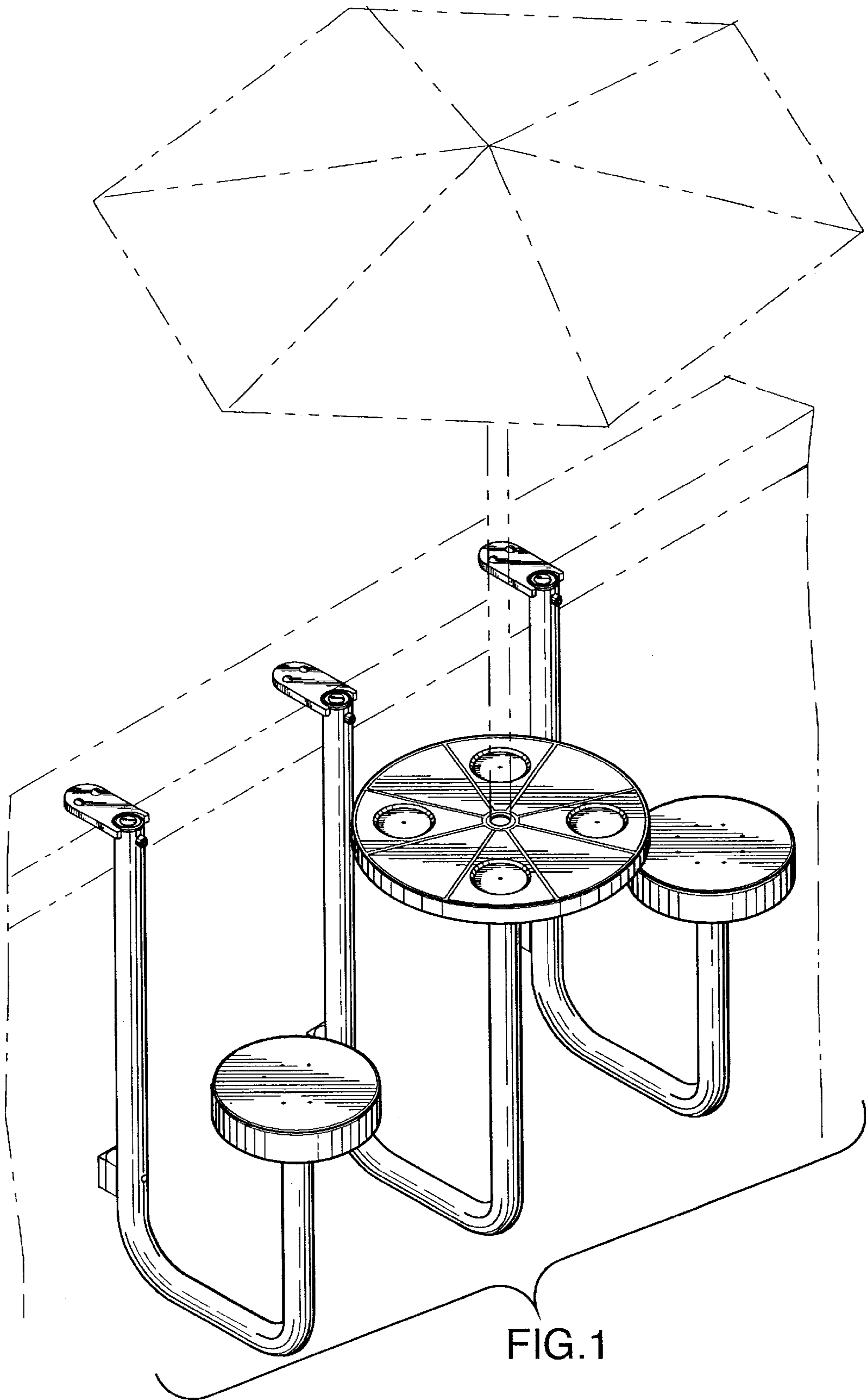


FIG. 1

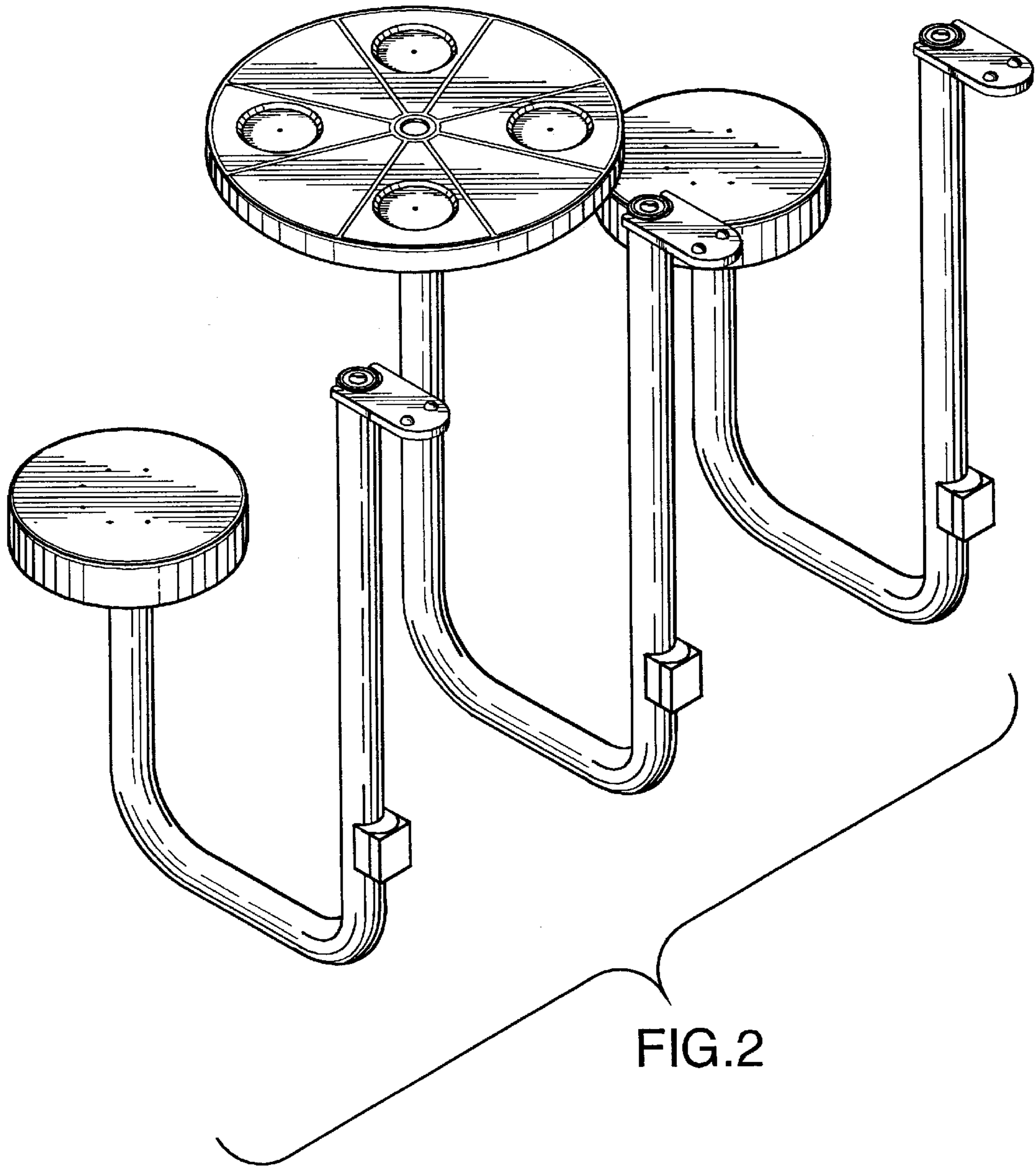


FIG.2

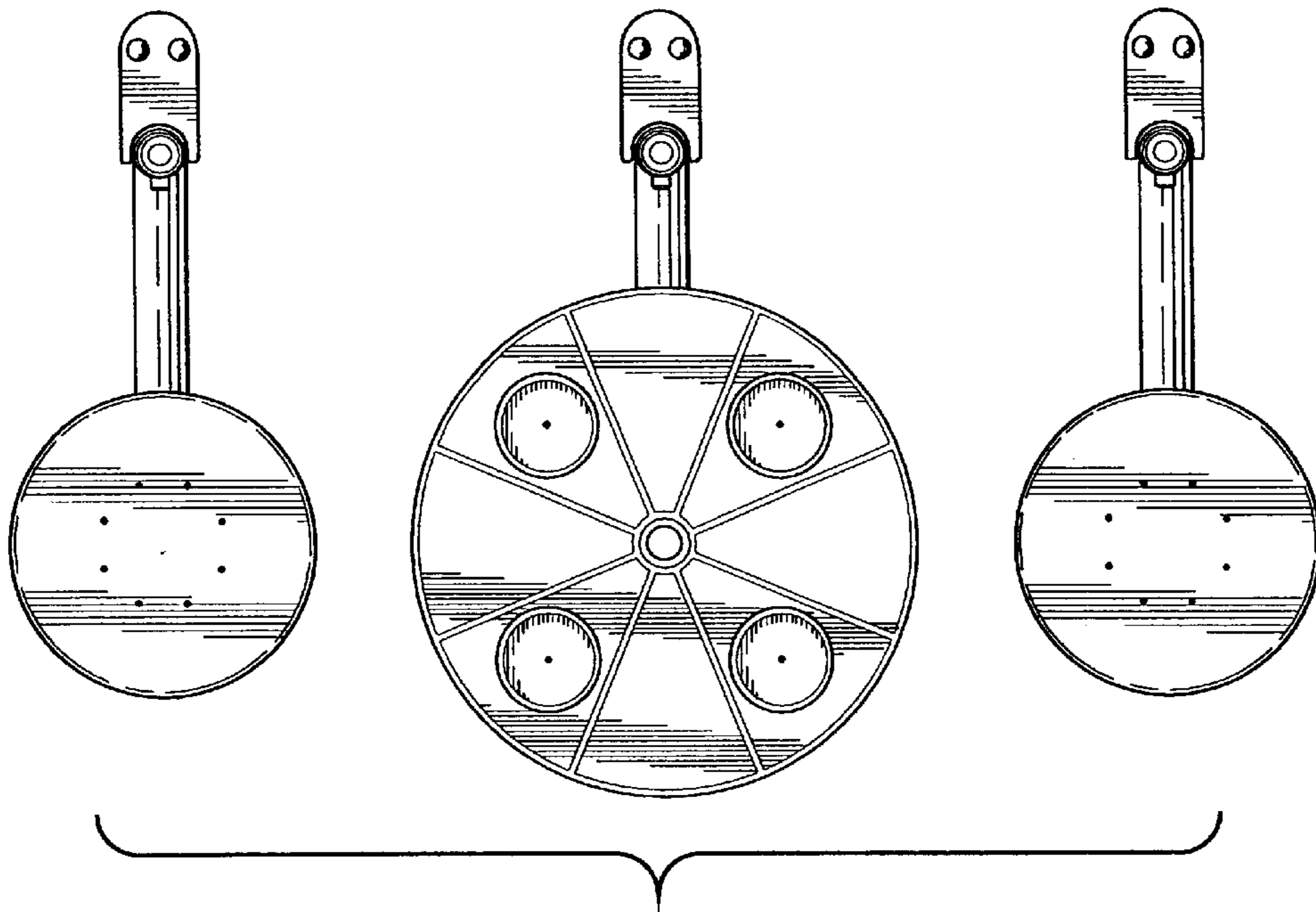


FIG.3

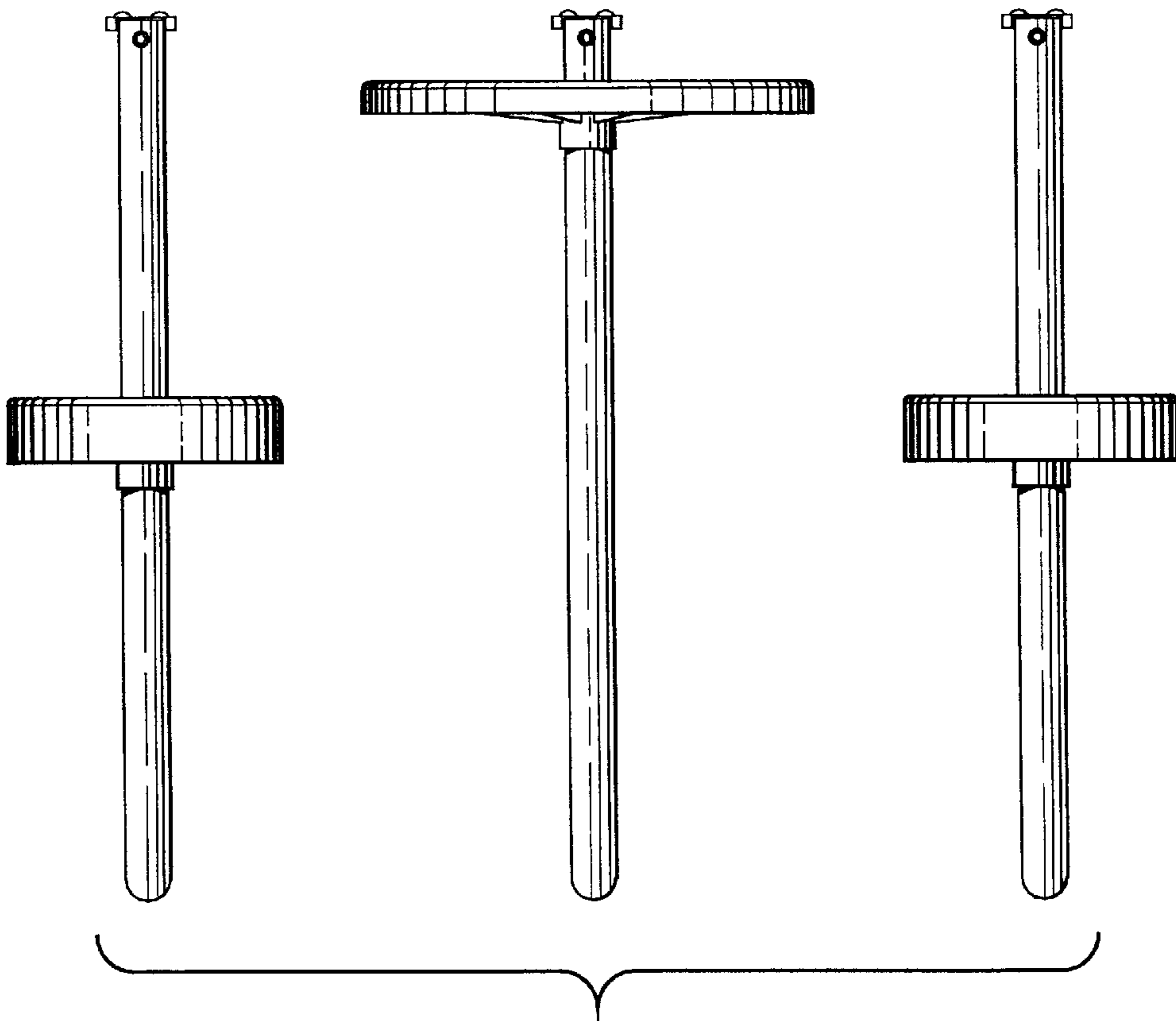


FIG.4

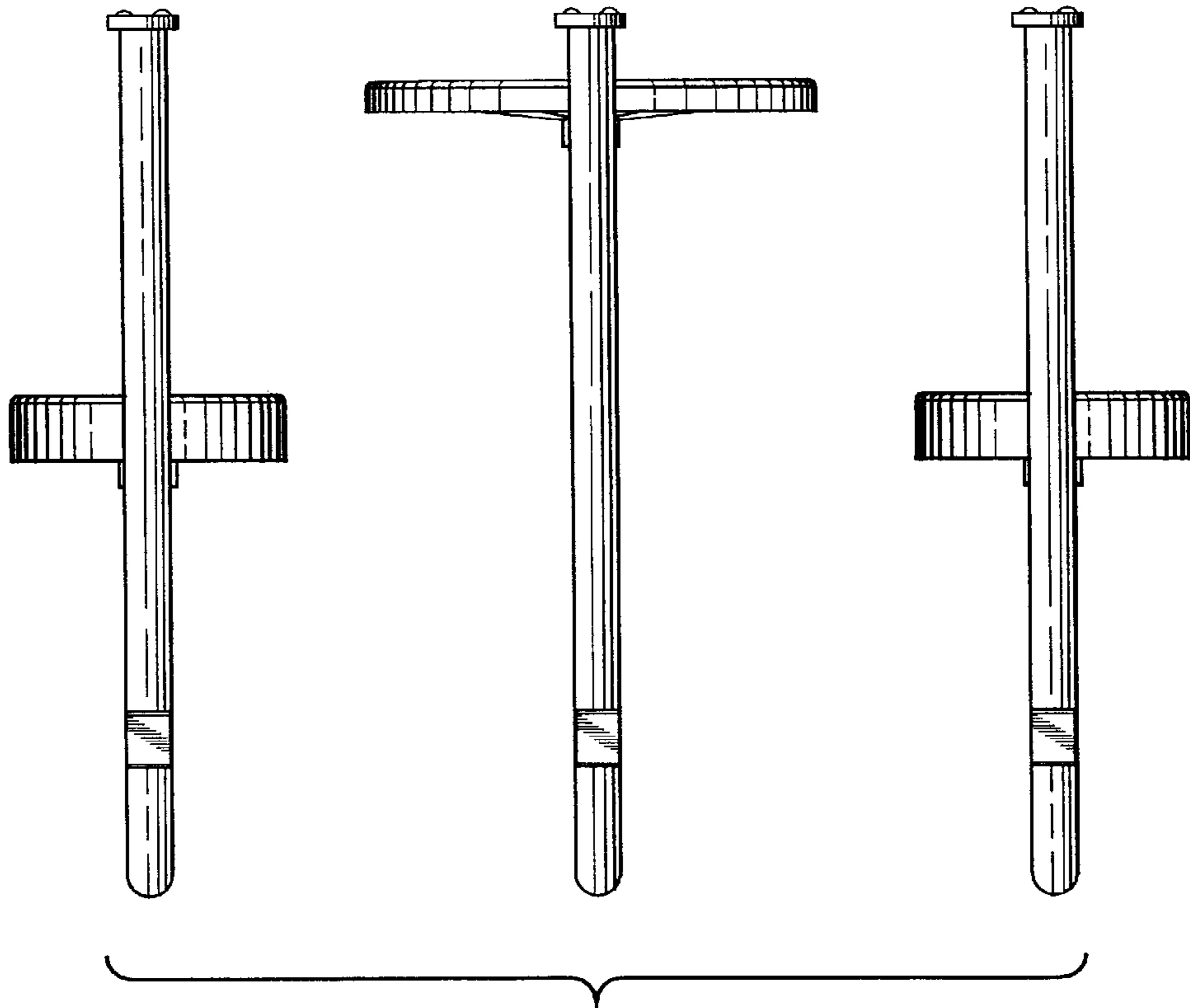


FIG. 5

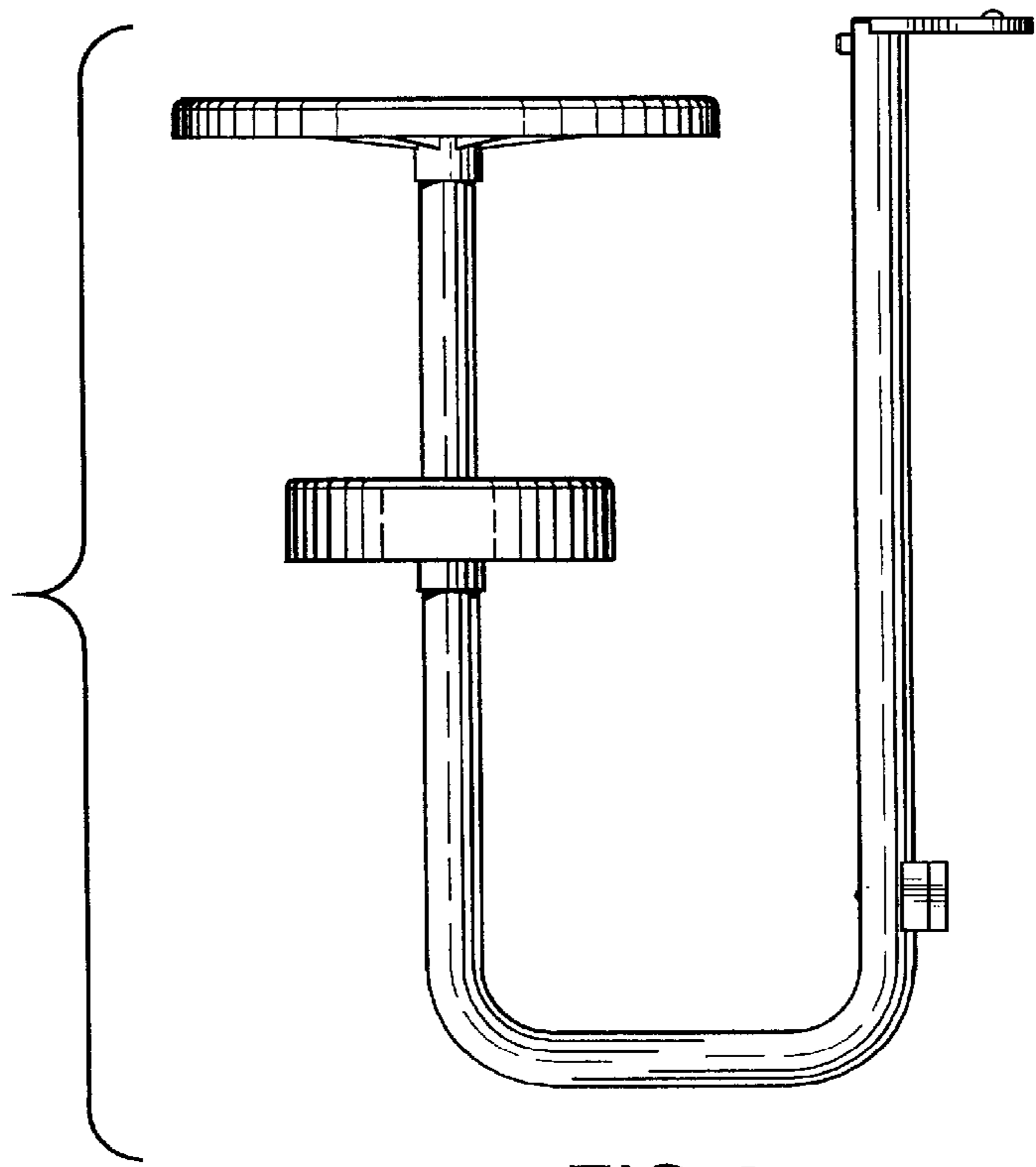


FIG. 6

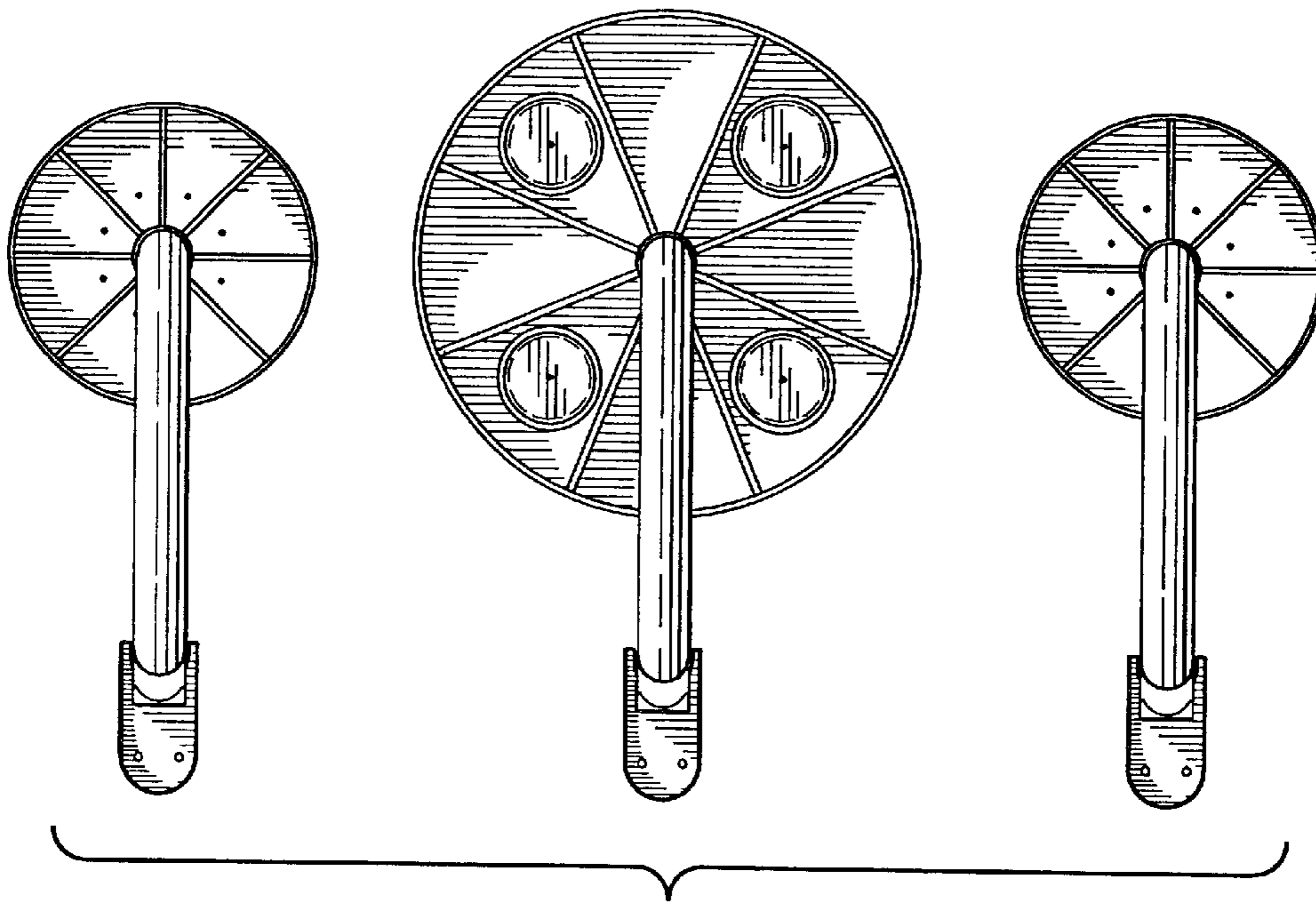


FIG.7

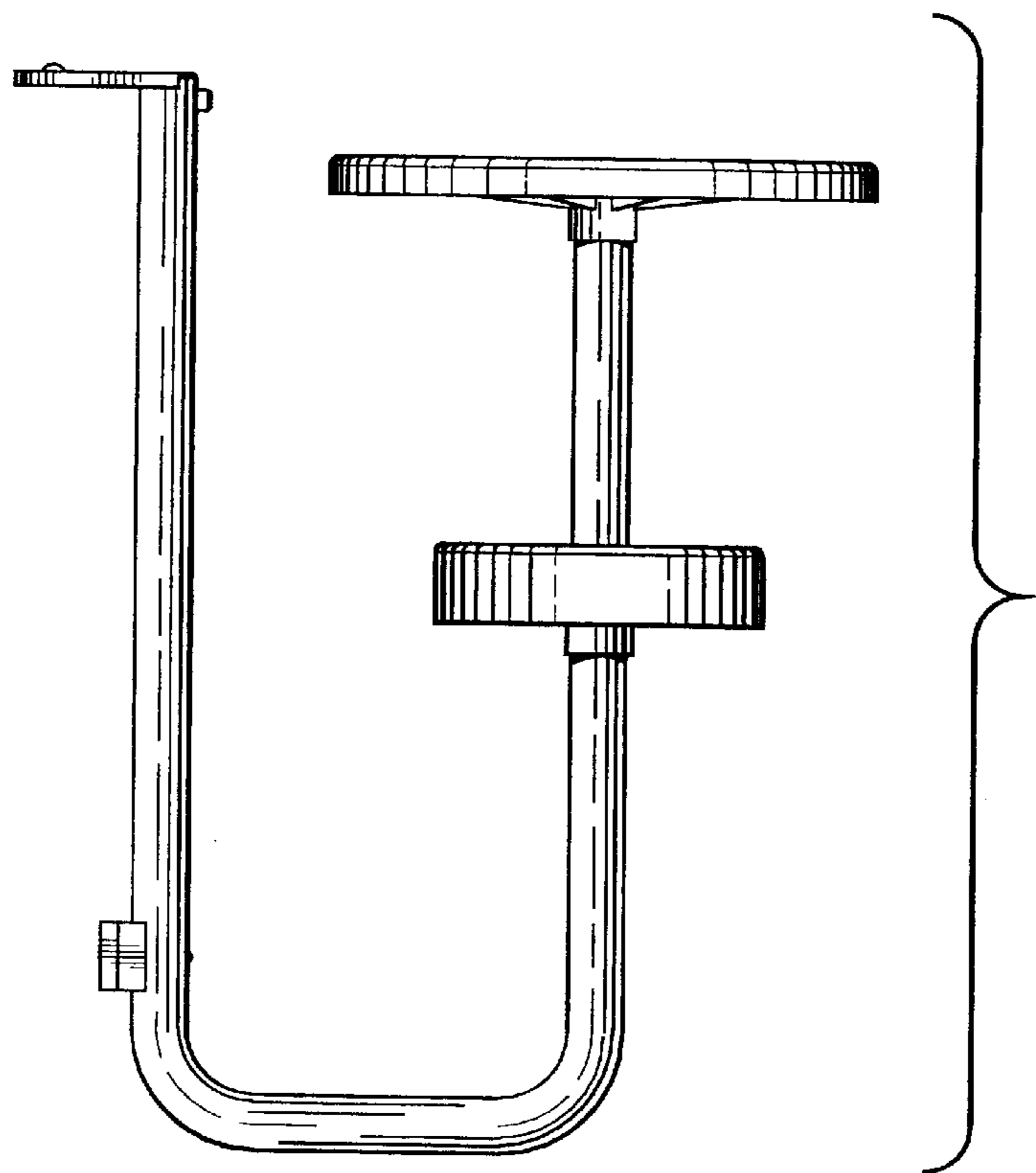


FIG.8