



US00D468111S

(12) **United States Design Patent**
Libman et al.

(10) **Patent No.:** **US D468,111 S**

(45) **Date of Patent:** **** Jan. 7, 2003**

(54) **KITCHEN BRUSH**

(75) Inventors: **Robert J. Libman**, Champaign, IL
(US); **Enzo Berti**, Dolo/Venice (IT)

(73) Assignee: **The Libman Company**, Arcola, IL
(US)

(**) Term: **14 Years**

(21) Appl. No.: **29/153,735**

(22) Filed: **Jan. 11, 2002**

(51) **LOC (7) Cl.** **04-01**

(52) **U.S. Cl.** **D4/138**

(58) **Field of Search** D4/132-134, 136,
D4/138; D7/393, 395; D28/63; D32/51;
15/143.1, 159.1, 160, 186, 187, 229.13,
244.1; 16/110.1, 430

(56) **References Cited**

U.S. PATENT DOCUMENTS

D227,826 S * 7/1973 Lindbo D4/133
D346,904 S * 5/1994 Berti D4/138

D375,842 S * 11/1996 Gringer D4/132
D417,121 S * 11/1999 Brunianyn D7/395
D428,705 S * 8/2000 Larson D4/132

* cited by examiner

Primary Examiner—M. H. Tung
Assistant Examiner—Lavone Tabor

(74) *Attorney, Agent, or Firm*—Marshall, Gerstein & Borun

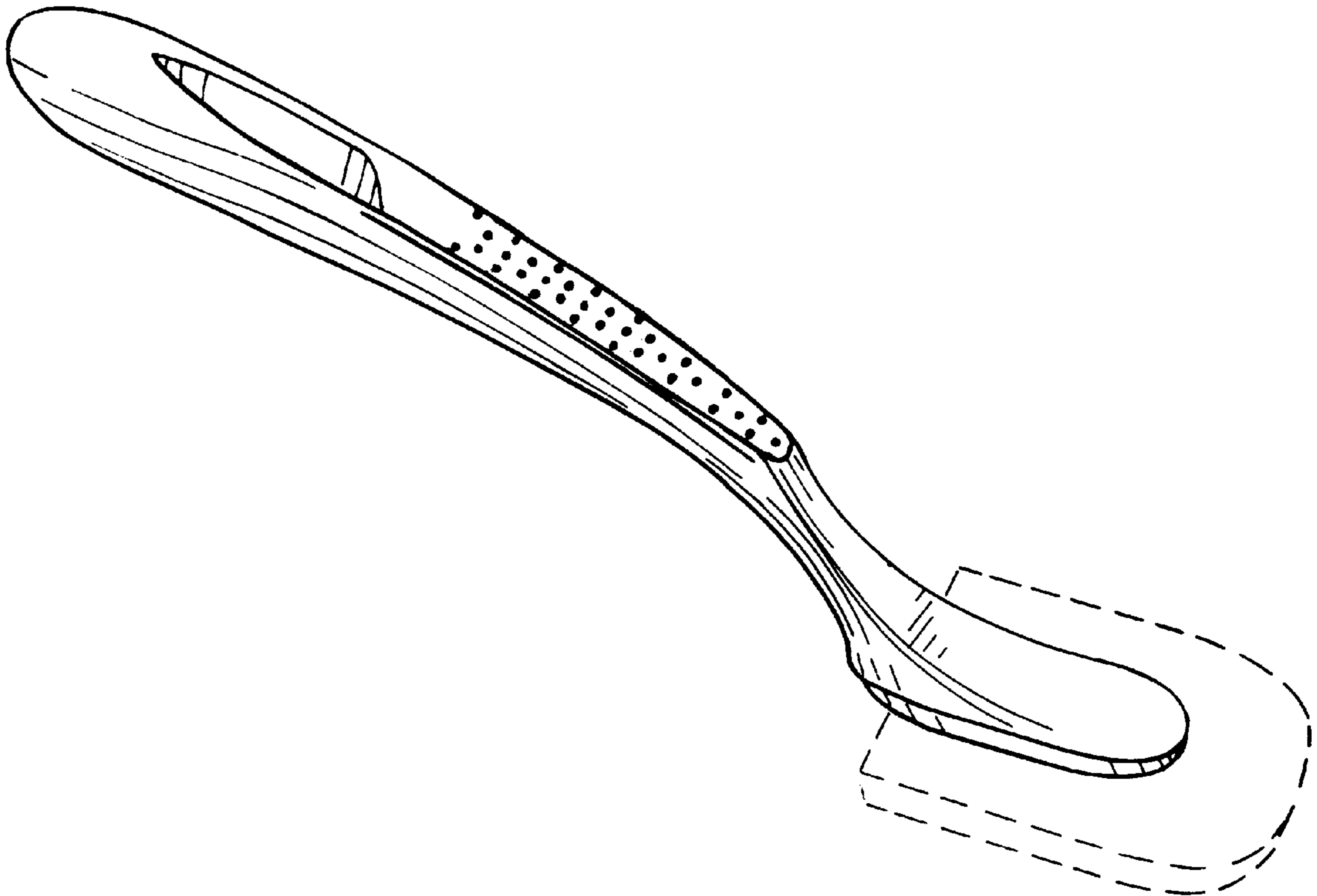
(57) **CLAIM**

The ornamental design for a kitchen brush, as shown and described.

DESCRIPTION

FIG. 1 is a perspective view of a kitchen brush in accordance with the present invention;
FIG. 2 is a reduced side view of the kitchen brush, the opposite side view being a mirror image thereof;
FIG. 3 is a reduced top view thereof; and,
FIG. 4 is a reduced bottom view thereof.
The broken lines represent brush fibers, which do not form part of the claimed design.

1 Claim, 1 Drawing Sheet



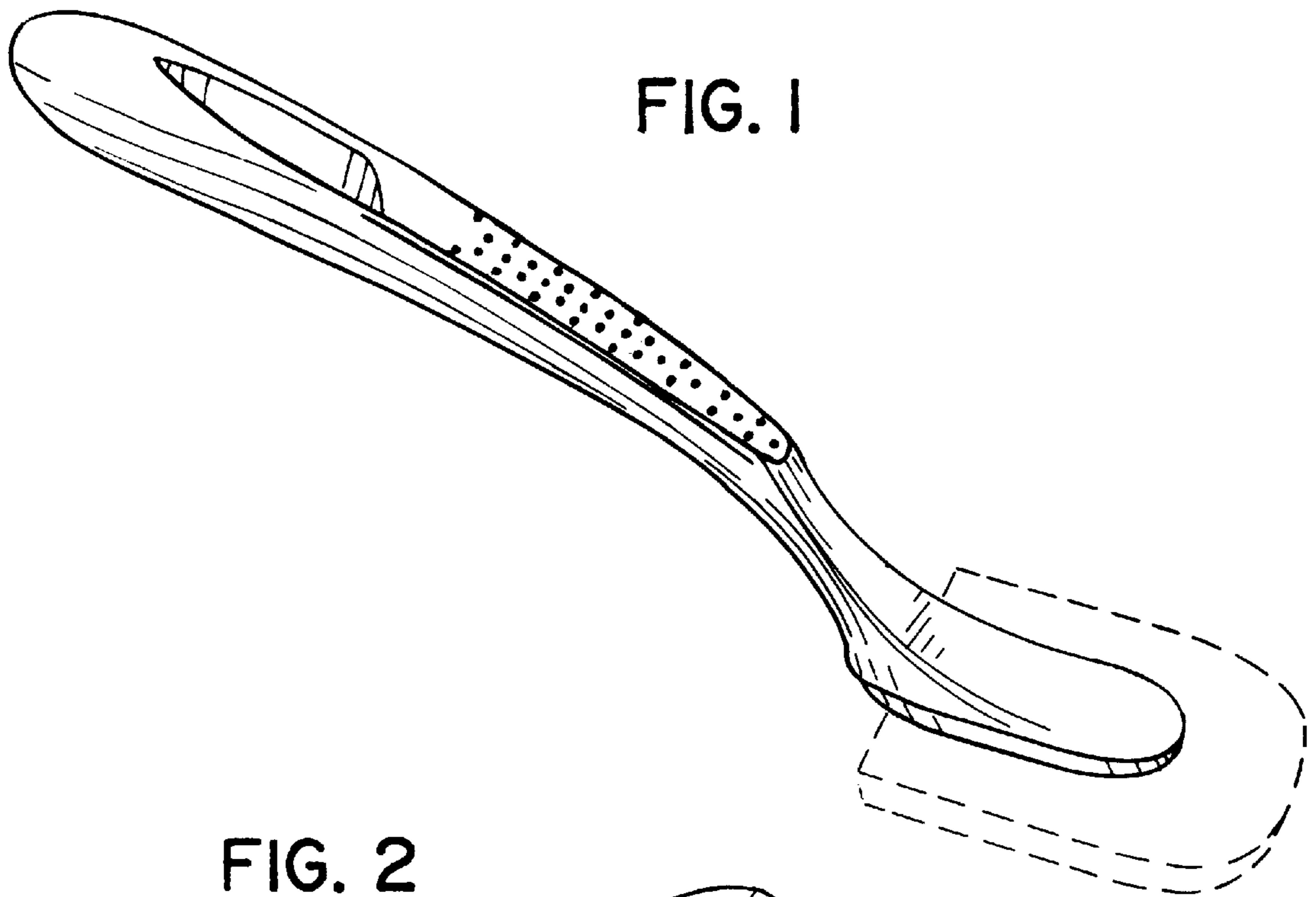


FIG. 2

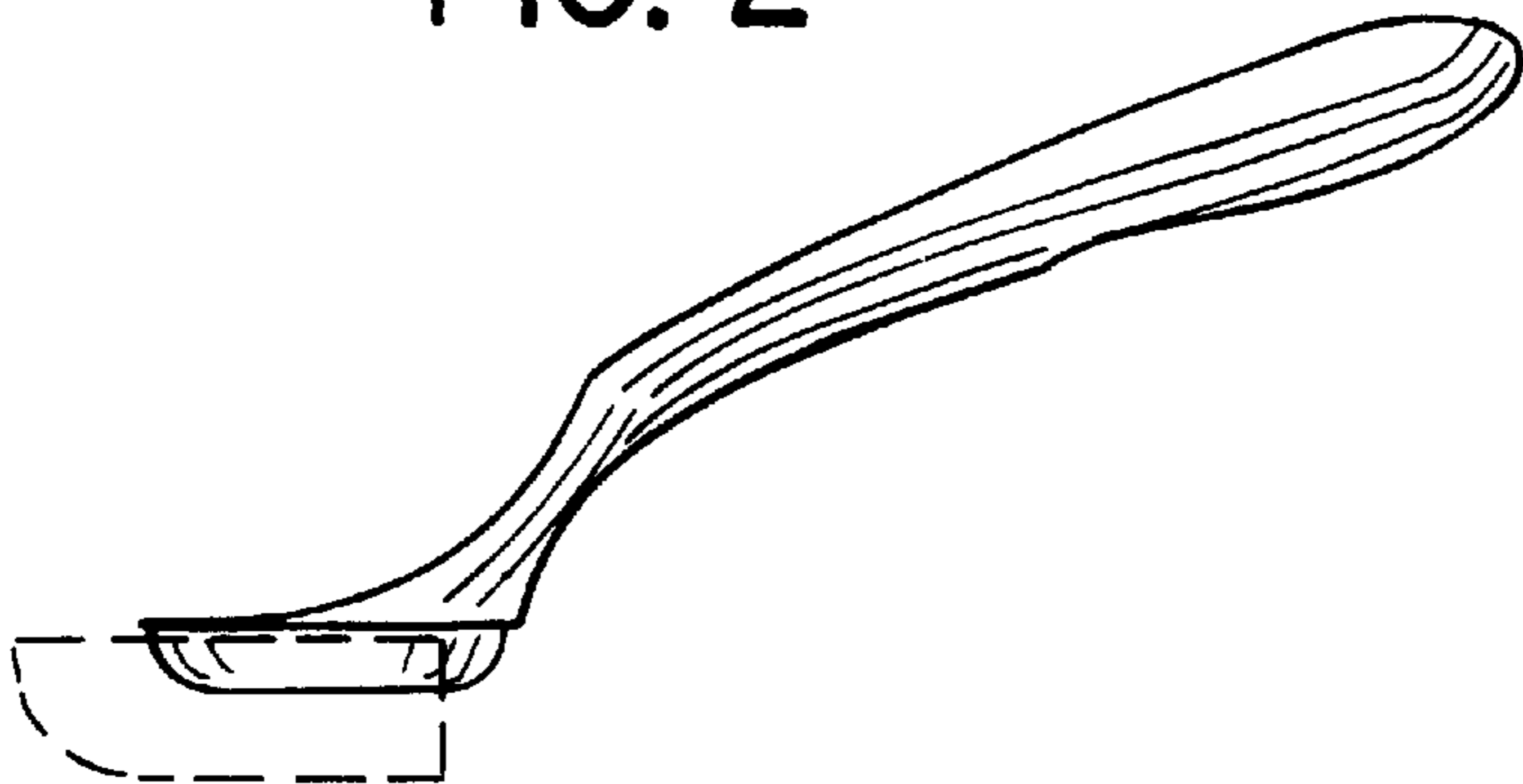


FIG. 3

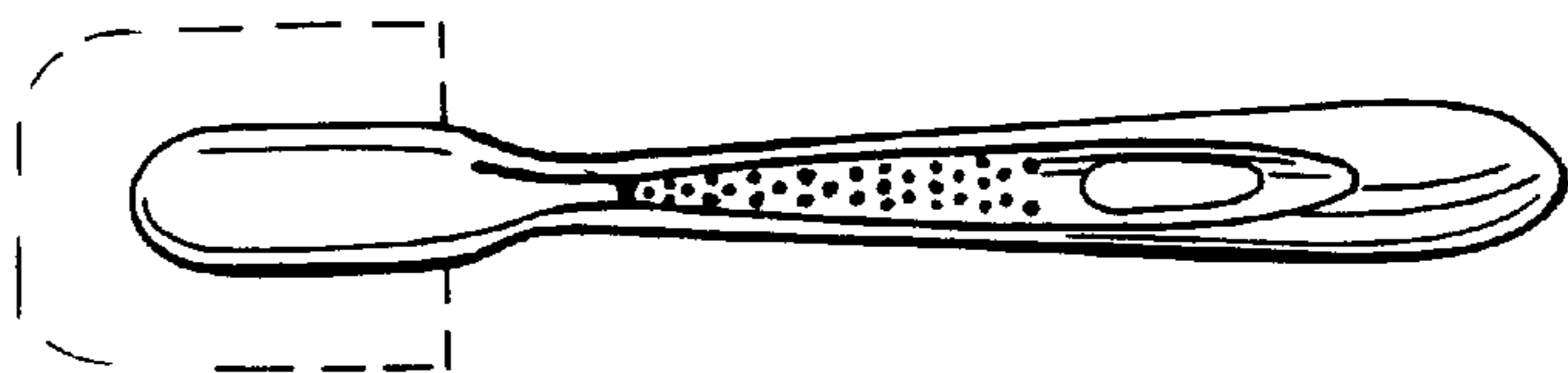


FIG. 4

