



US00D468102S

(12) **United States Design Patent**
Taylor et al.

(10) **Patent No.:** **US D468,102 S**
(45) **Date of Patent:** **** Jan. 7, 2003**

(54) **DISPLAY BINS WITH PIVOTAL DOORS**

(75) Inventors: **Curtis P. Taylor**, Moreland Hills, OH (US); **Anthony V. Sainato**, Mayfield Heights, OH (US)

(73) Assignee: **Bintek, LLC**, Chagrin Falls, OH (US)

(**) Term: **14 Years**

(21) Appl. No.: **29/138,732**

(22) Filed: **Mar. 19, 2001**

(51) **LOC (7) Cl.** **03-01**

(52) **U.S. Cl.** **D3/304**

(58) **Field of Search** D9/420, 429; D3/304, D3/318; D6/396, 627, 432, 436, 449, 470, 476, 479, 492, 494, 509, 510, 502; 206/775-783, 503-505, 509, 512, 557, 562; 211/126.1, 126.2; 220/600, 602, 608, 610, 613, 662, 675, 914, DIG. 12, DIG. 13, DIG. 14, DIG. 25

(56) **References Cited**

U.S. PATENT DOCUMENTS

D30,426 S	3/1899	Meyer	
D49,497 S	8/1916	Walker, Jr.	
D49,501 S	8/1916	Walker, Jr.	
D89,950 S	5/1933	Duncan	
2,463,658 A	3/1949	Thrasher	62/89.5
2,556,927 A	6/1951	Langel et al.	220/4
2,677,483 A *	5/1954	Shaw	206/509
3,478,892 A	11/1969	Lockwood	211/126
4,056,295 A	11/1977	Downing	312/107

(List continued on next page.)

OTHER PUBLICATIONS

US 5,762,201, 6/1998, Whalen (withdrawn)

Primary Examiner—Louis S. Zarfes

Assistant Examiner—Deanne Levy

(74) *Attorney, Agent, or Firm*—David A. Burge

(57) **CLAIM**

We claim the ornamental design for display bins with pivotal doors, as shown and described.

DESCRIPTION

Reference is made to utility application Ser. No. 09/812,052 filed (concurrently herewith) by Curtis P. Taylor and Anthony V. Sainato entitled Stackable Display Bins with Removable Pivotal Doors, and to the following design applications filed concurrently herewith by the same inventors, the disclosures of all of which are incorporated herein by reference:

Doors and Doors with Pivotal Mounts for Display Bins, Ser. No. 29/138,730;

Display Bins, Ser. No. 29/138,731; and,

Front Portions of Stackable and Stacked Display Bins Having Pivotal Doors, Ser. No. 29/138,733.

FIG. 1 is a top, front, and right side perspective view of a display bin with pivotal door showing our new design;

FIG. 2 is a bottom, rear, and right side perspective view thereof;

FIG. 3 is a right side elevational view thereof, it being understood that the left side elevational view is a mirror image of the right side elevational view;

FIG. 4 is a front elevational view thereof;

FIG. 5 is a top plan view thereof;

FIG. 6 is a rear elevational view thereof;

FIG. 7 is a top, front, and right side perspective view of a second embodiment of a display bin with pivotal door showing our new design;

FIG. 8 is a bottom, rear, and right side perspective view thereof;

FIG. 9 is a right side elevational view thereof, it being understood that the left side elevational view is a mirror image of the right side elevational view;

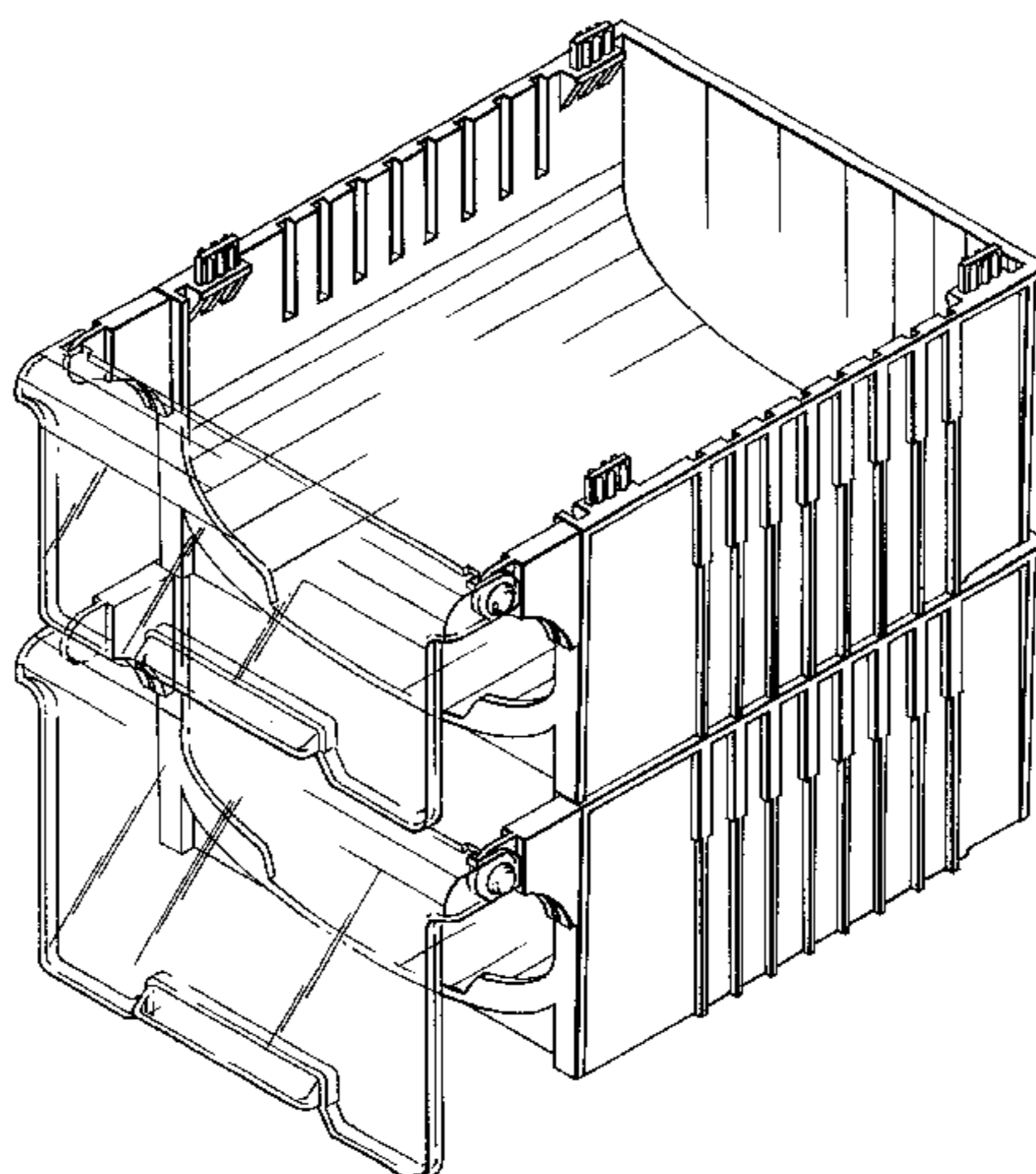
FIG. 10 is a front elevational view thereof;

FIG. 11 is a top plan view thereof;

FIG. 12 is a rear elevational view thereof; and,

FIG. 13 is a top, front, and right side perspective view of a third embodiment of a display bin with pivotal door which is the first and second embodiments in a stacked condition.

1 Claim, 9 Drawing Sheets



US D468,102 S

Page 2

U.S. PATENT DOCUMENTS

4,093,071 A	6/1978	Stahl et al.	206/507	D283,861 S	5/1986	Cantolino	D6/471
4,176,747 A	12/1979	Aho	206/509	4,760,921 A	8/1988	Licari	206/504
D255,627 S	7/1980	Newsom, Jr. et al.	D6/157	5,111,939 A	5/1992	Schafer	206/503
4,244,486 A *	1/1981	Ewald, Jr.	220/646	5,127,524 A	7/1992	Howitt	206/509
D267,387 S	12/1982	Koch	D7/52	5,190,156 A	3/1993	Conaway et al.	206/509
4,372,444 A	2/1983	Le Grand et al.	206/505	5,287,980 A	2/1994	Saltz	220/4.27
4,435,026 A	3/1984	Johnson	312/45	5,417,333 A	5/1995	Flum	211/59.2
4,473,155 A	9/1984	Howitt	206/505	D365,229 S *	12/1995	Story et al.	D6/476
D276,775 S	12/1984	Antti et al.	D6/471	D379,884 S	6/1997	Eastman	D6/472
4,520,928 A	6/1985	Wilson	206/505	D381,235 S	7/1997	Bangert	D6/629
4,550,837 A	11/1985	Simmons	211/126	5,680,957 A *	10/1997	Liu	220/602
4,567,989 A	2/1986	Hurst, Jr.	211/74	D394,577 S *	5/1998	Baluk et al.	D6/470
D283,860 S *	5/1986	Cantolino	D6/476	D429,882 S *	8/2000	Lee et al.	D3/294

* cited by examiner

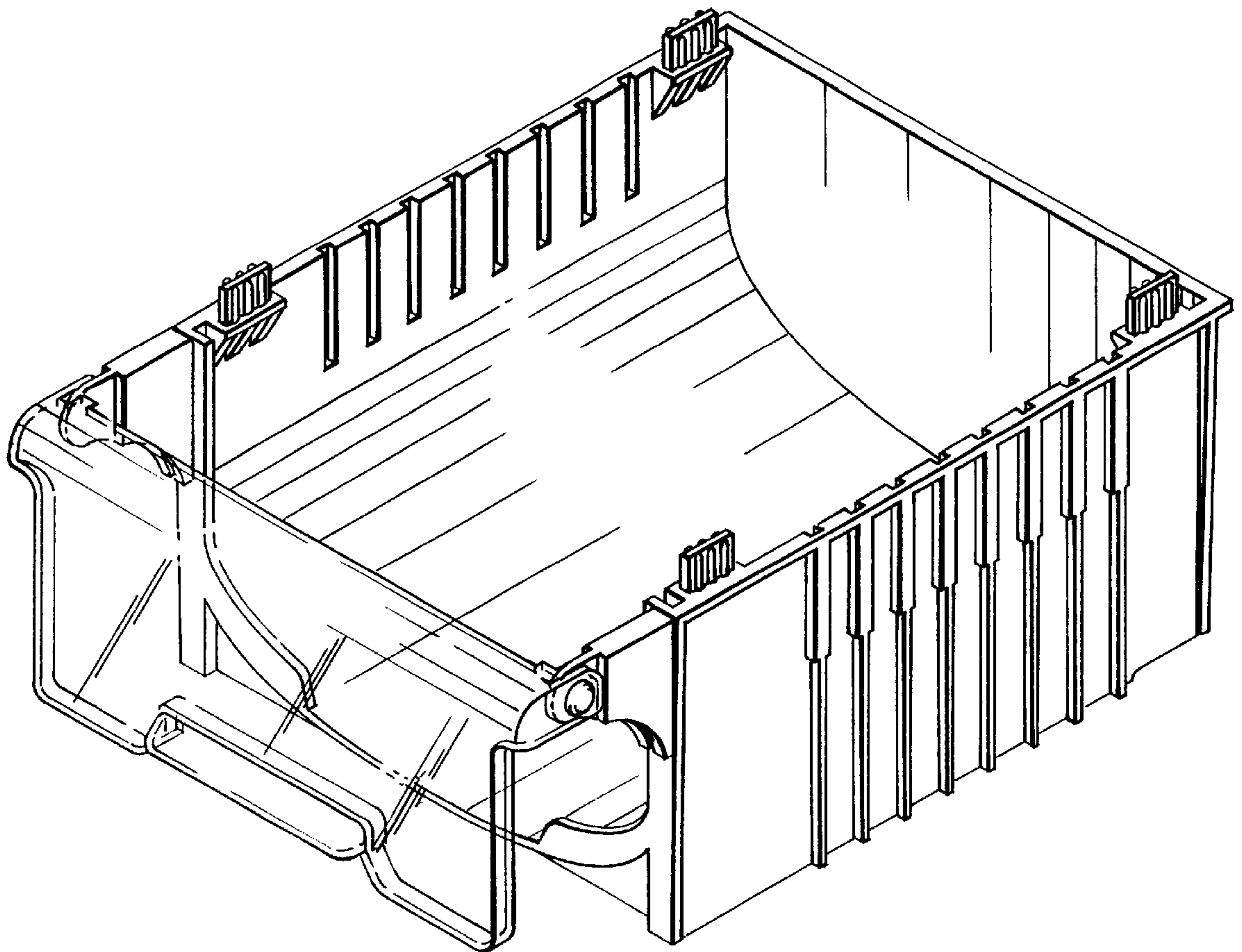


FIG. 1

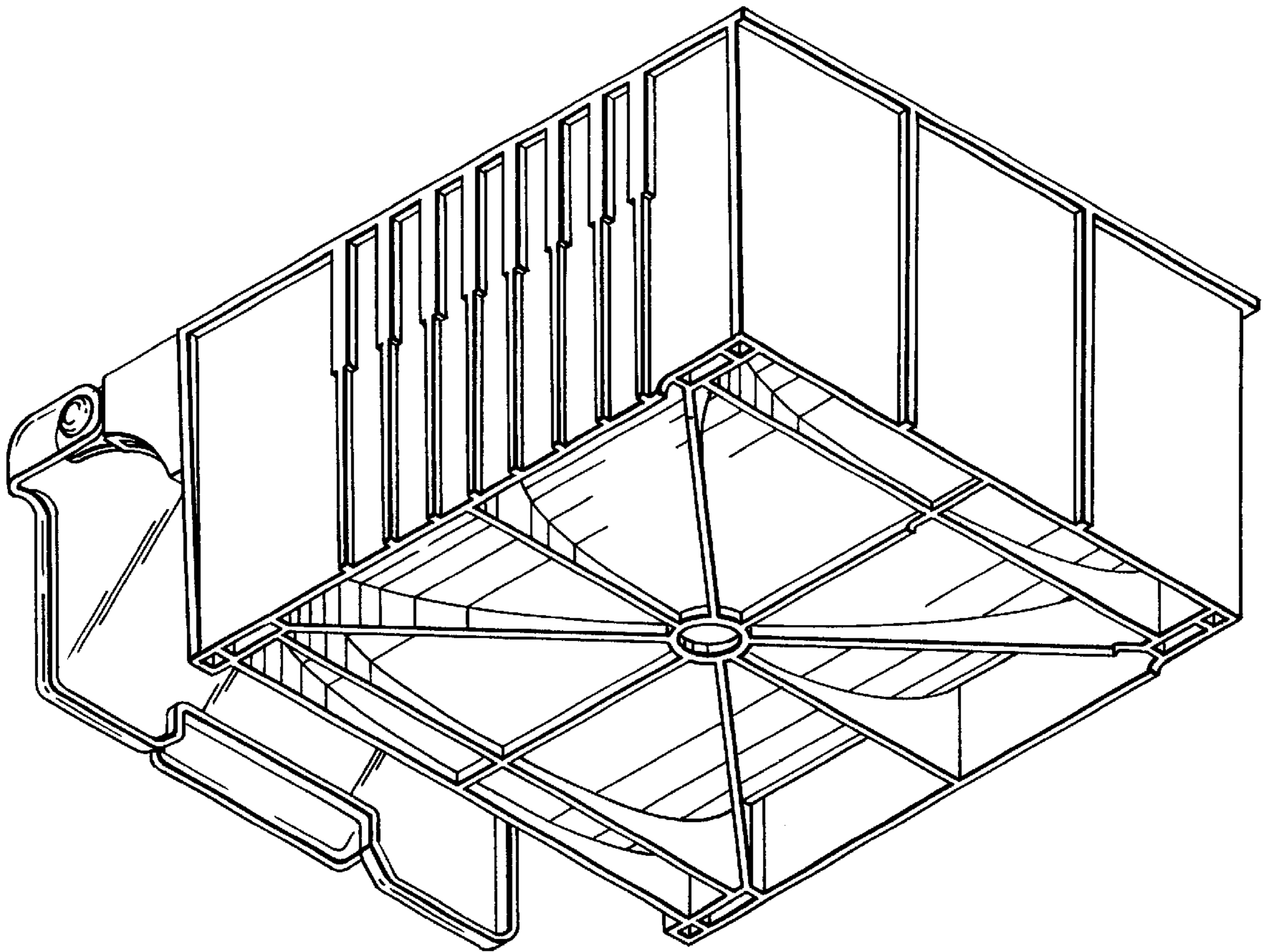


FIG. 2

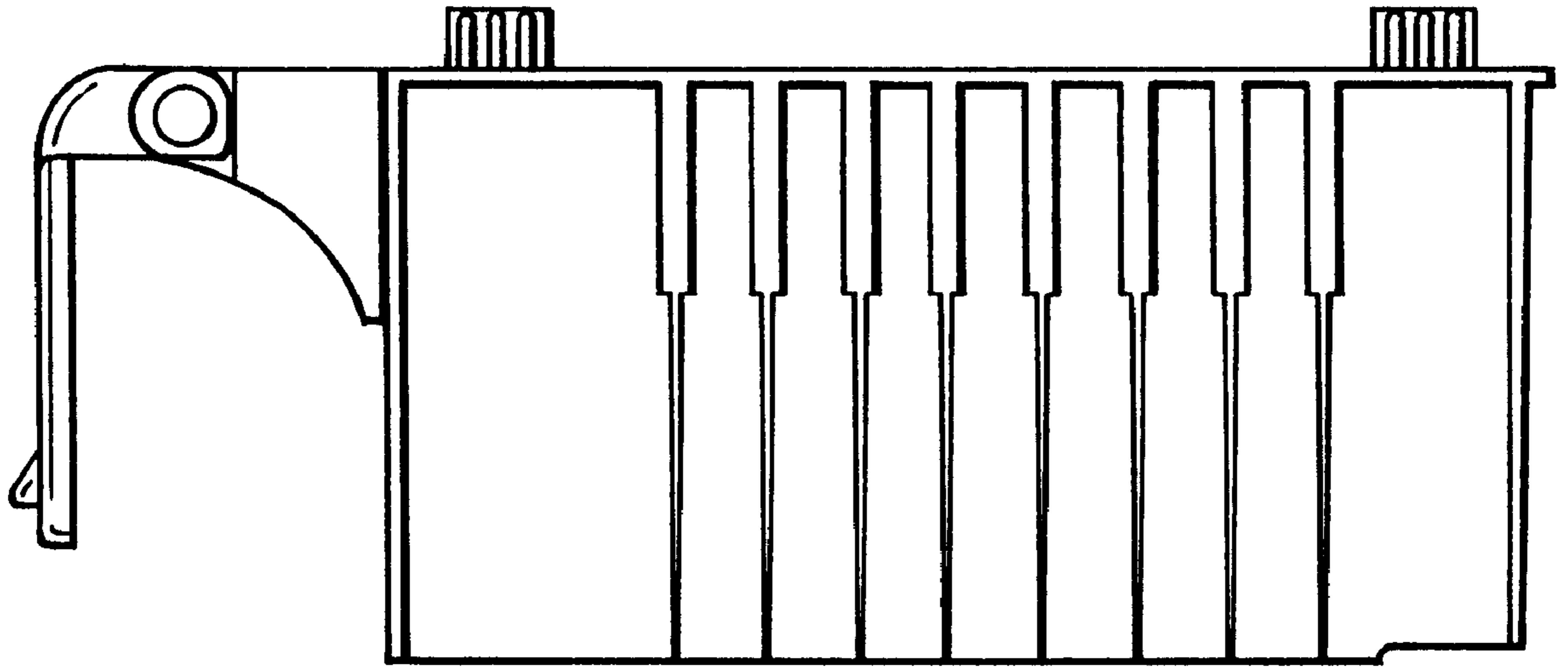


FIG. 3

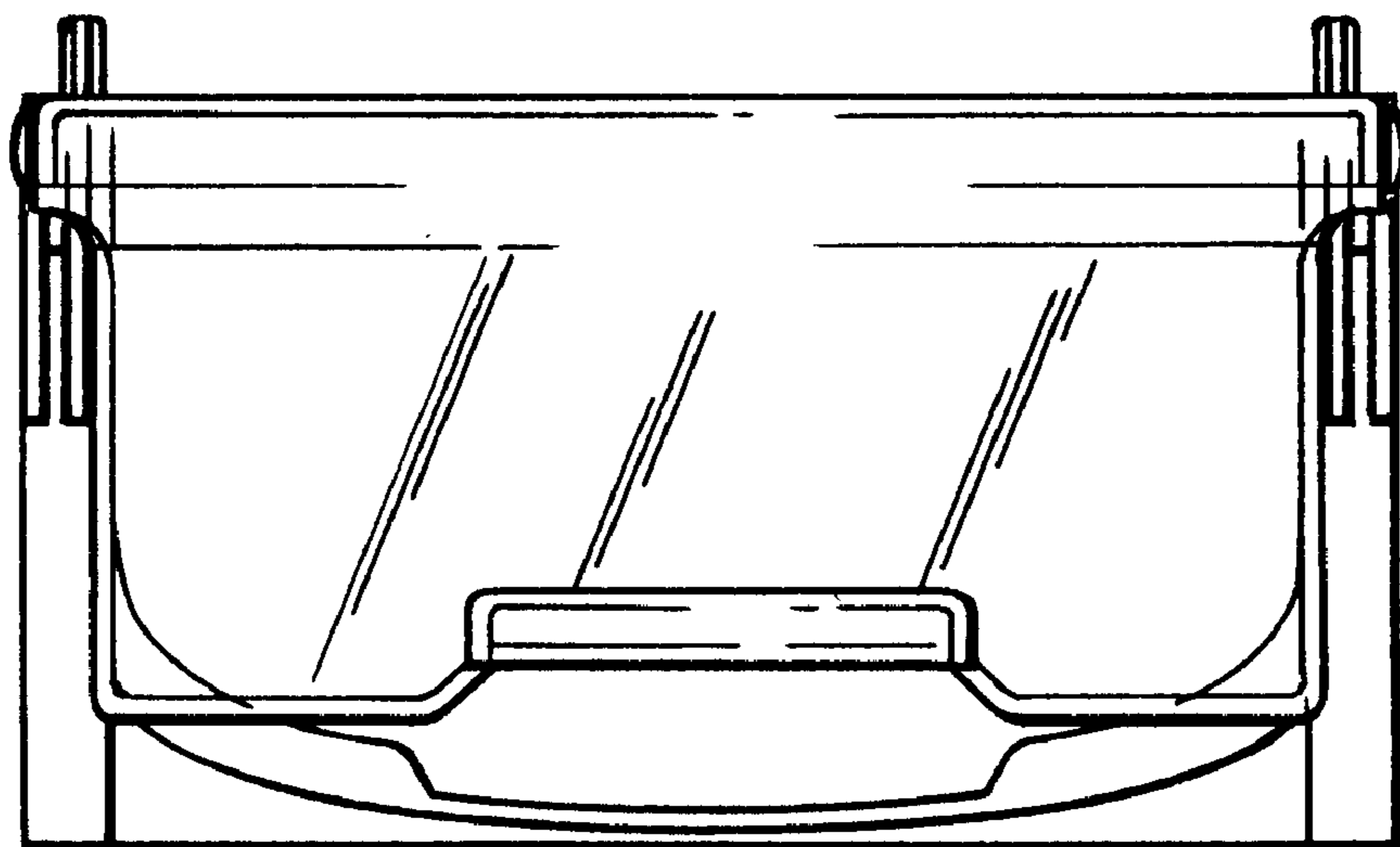


FIG. 4

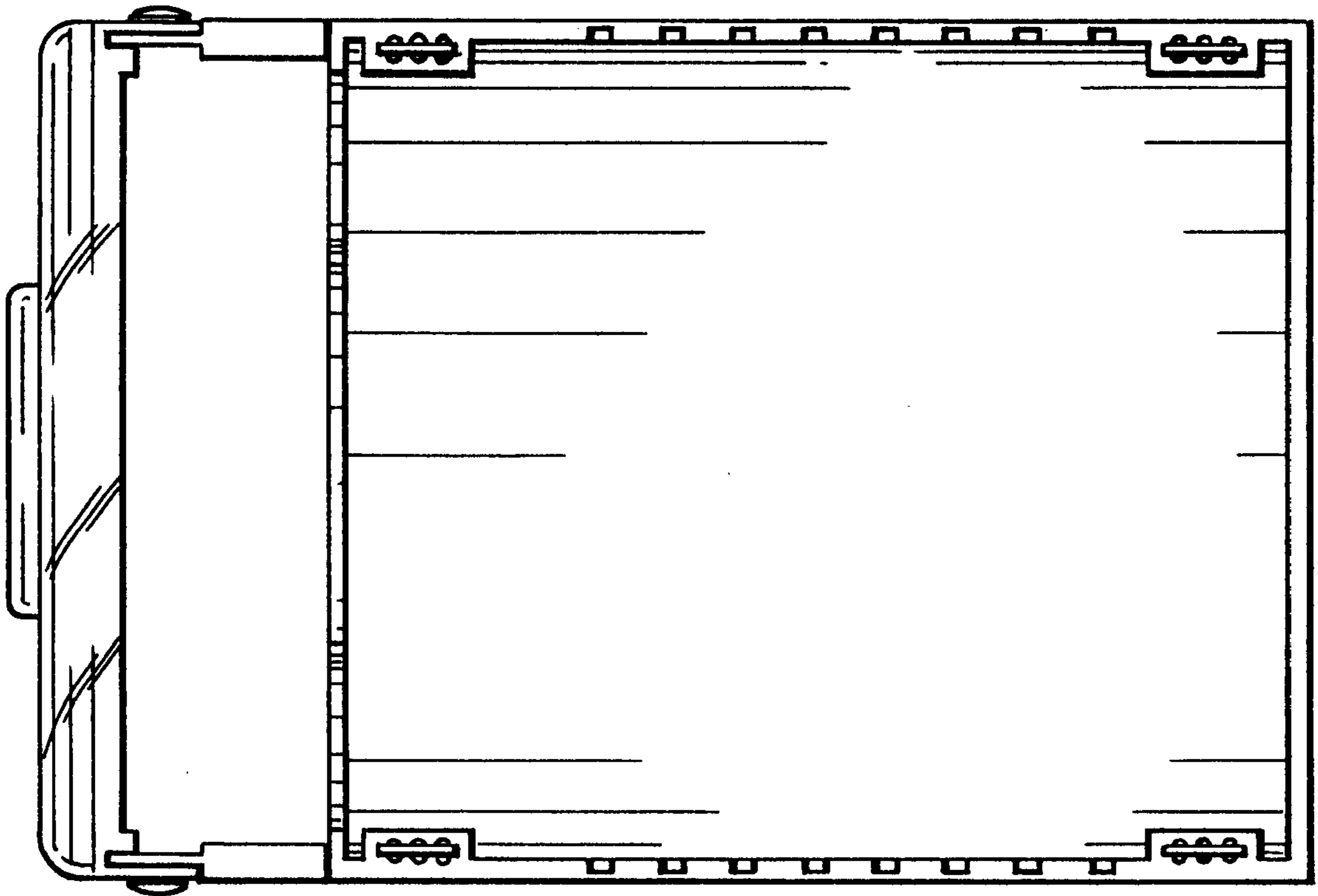


FIG. 5

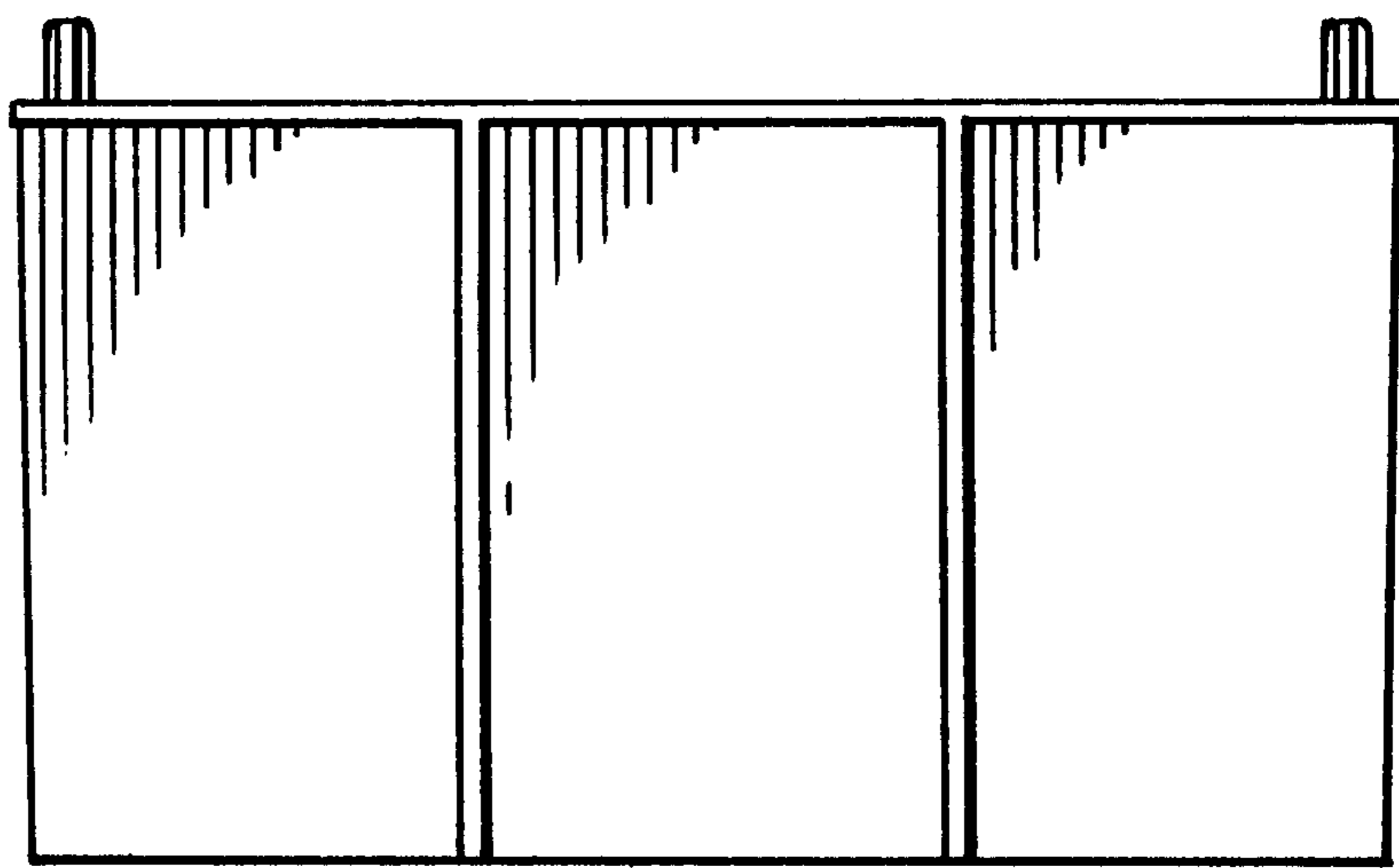


FIG. 6

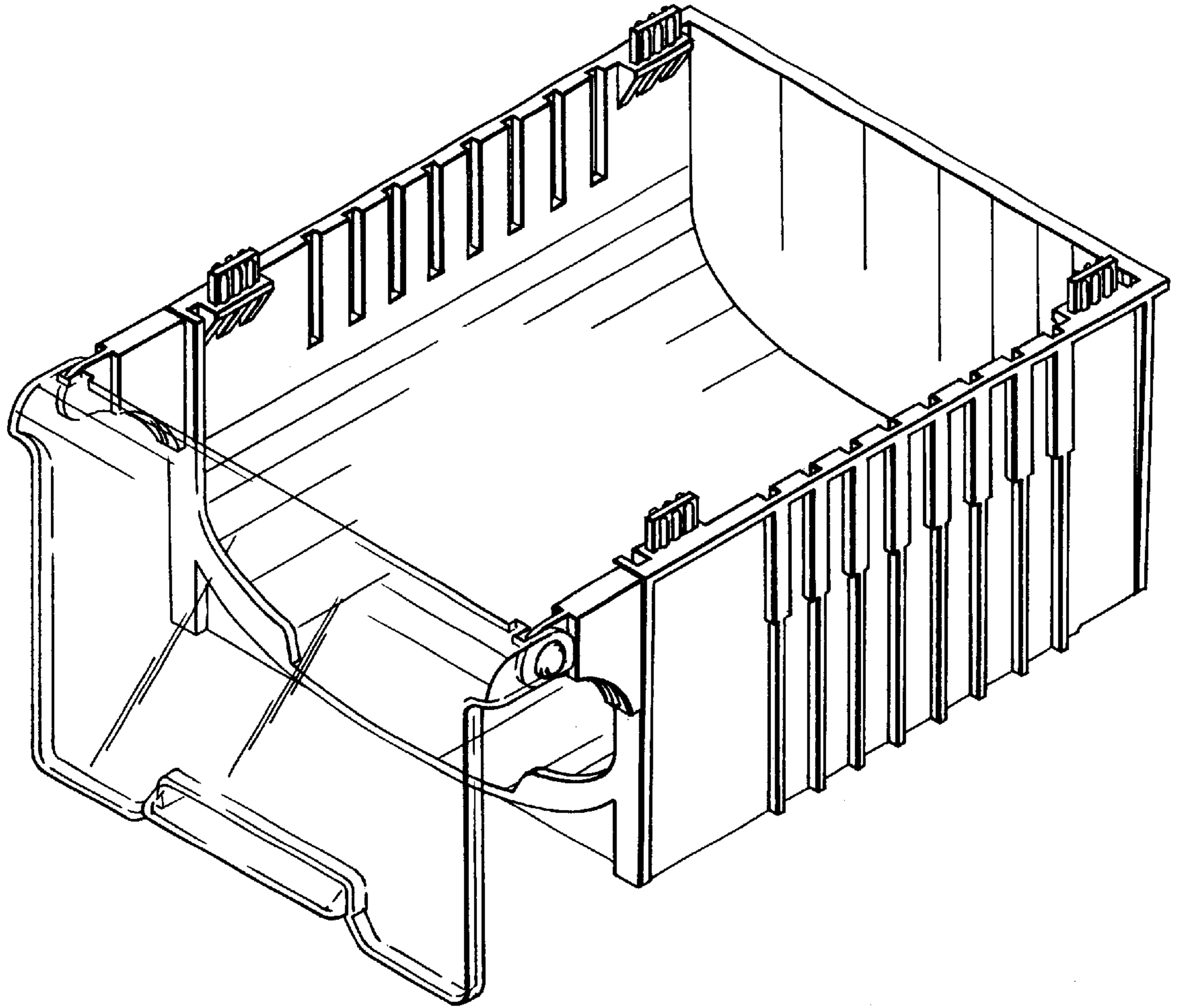


FIG. 7

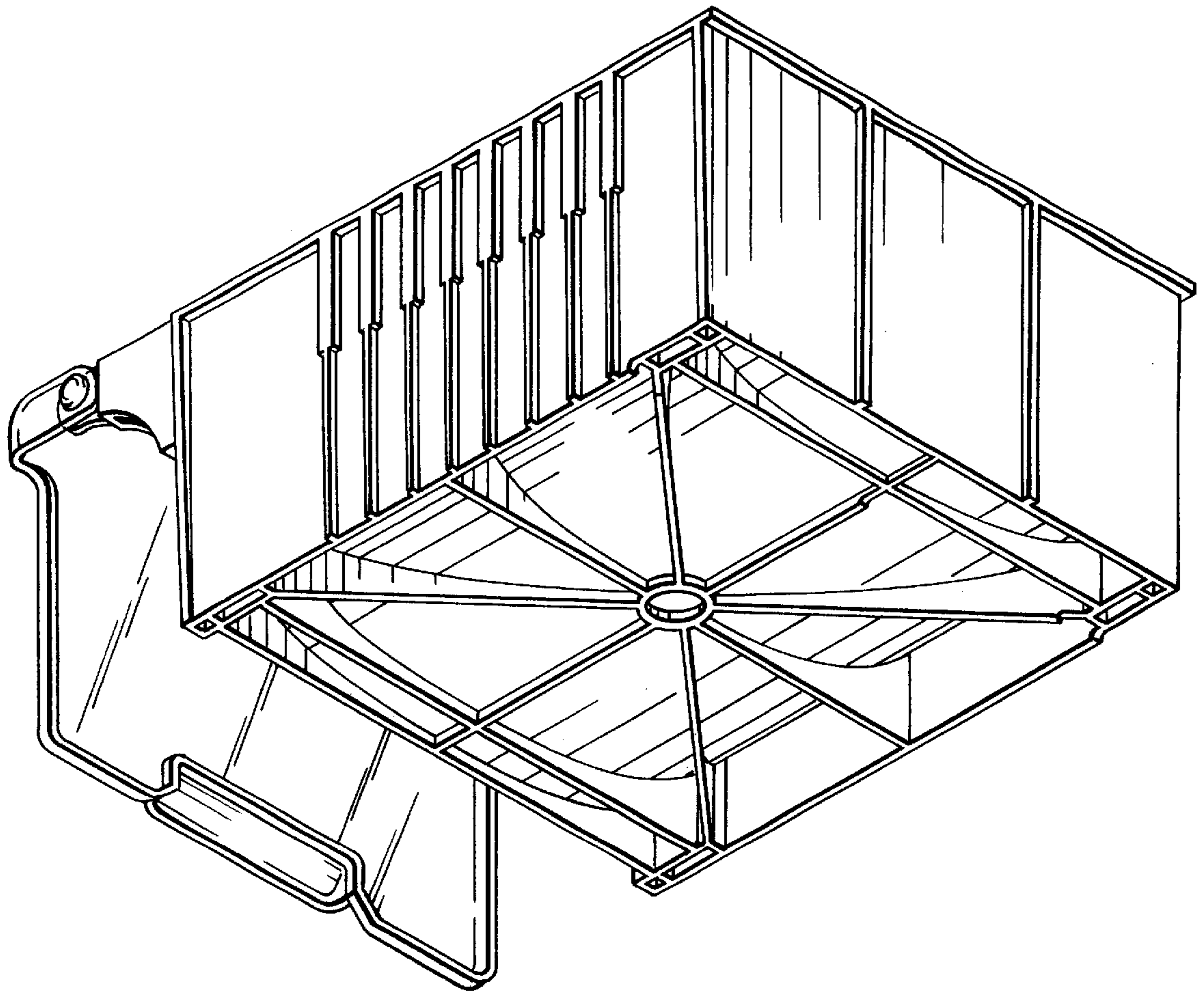


FIG. 8

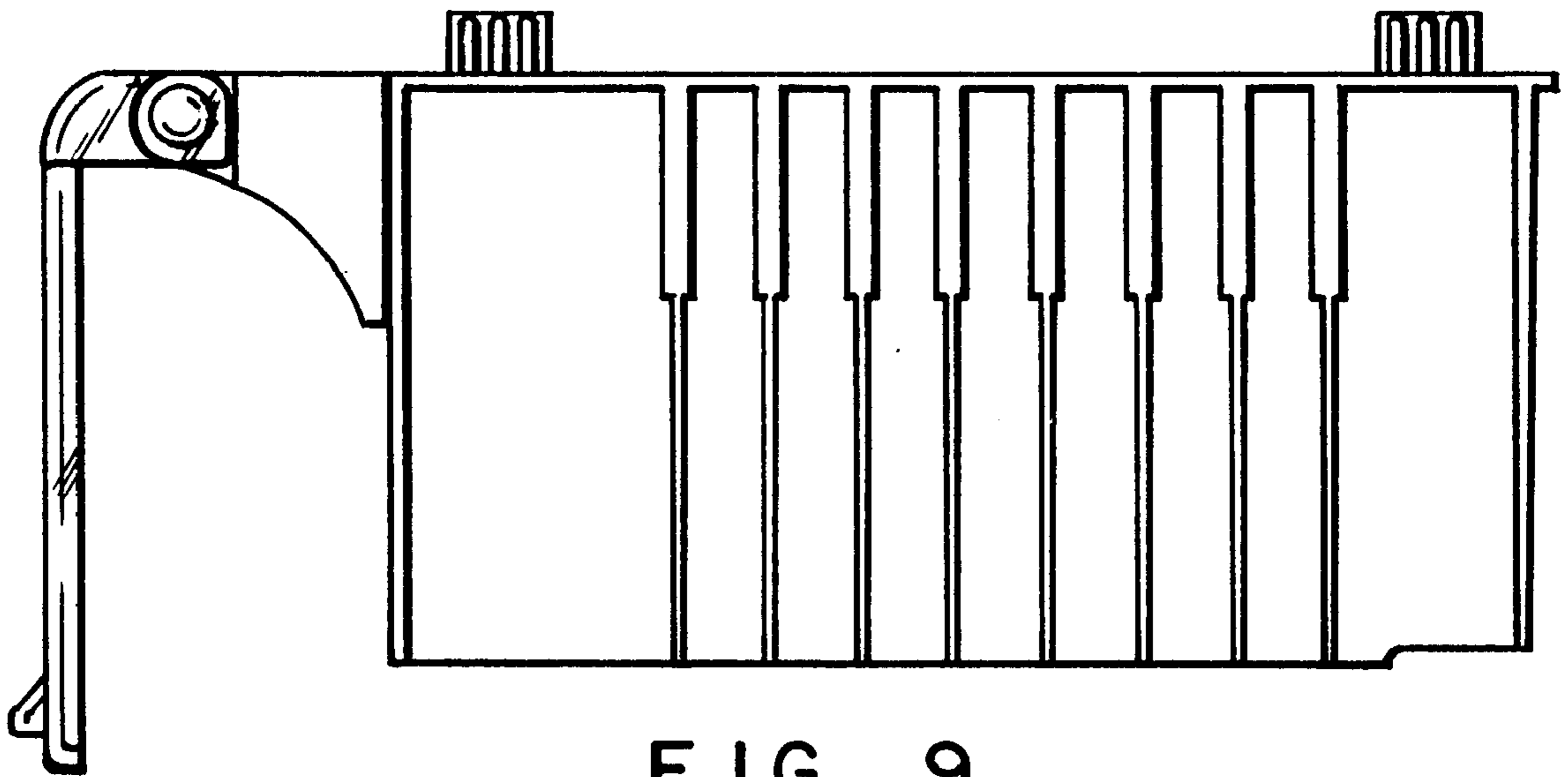


FIG. 9

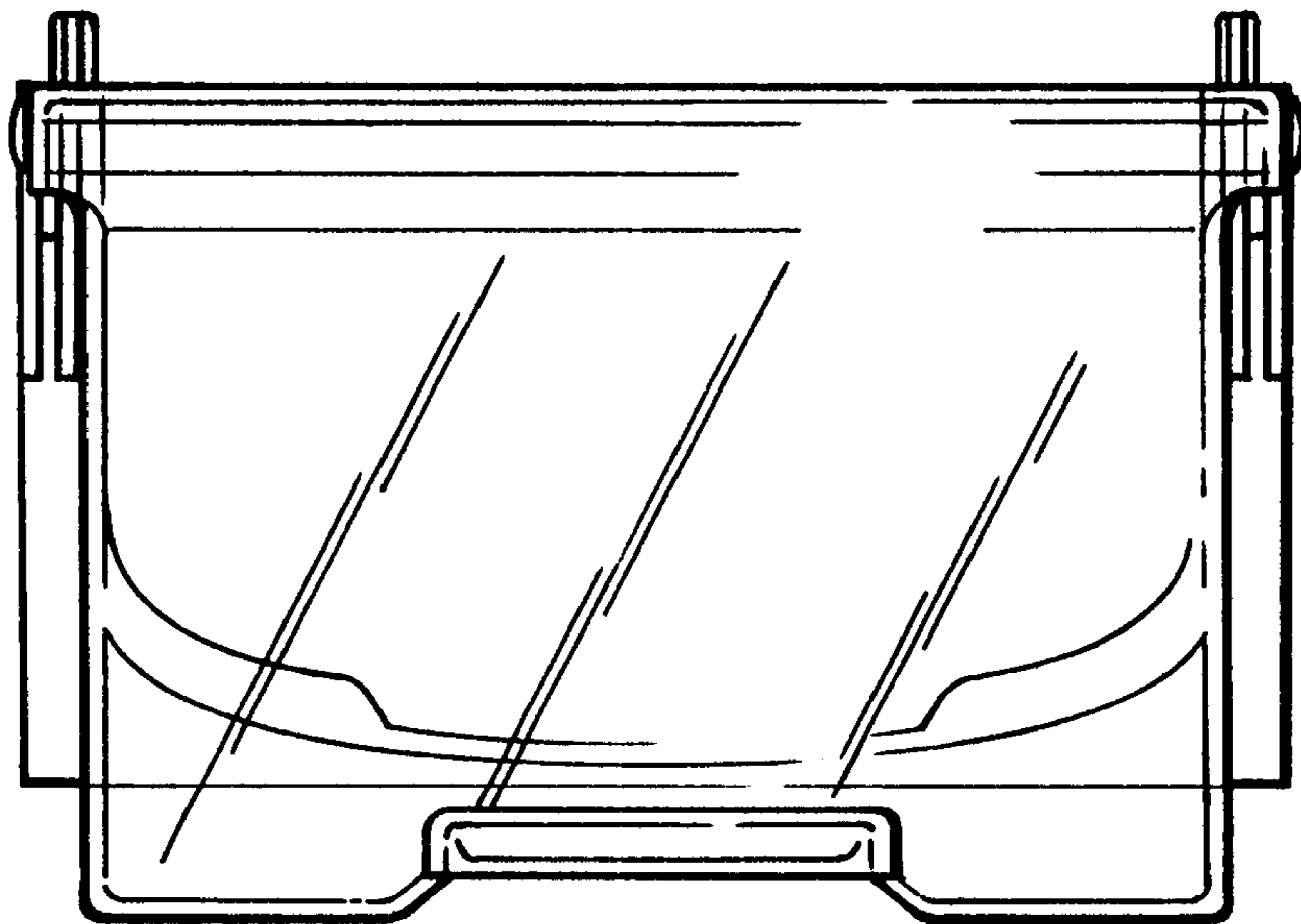


FIG. 10

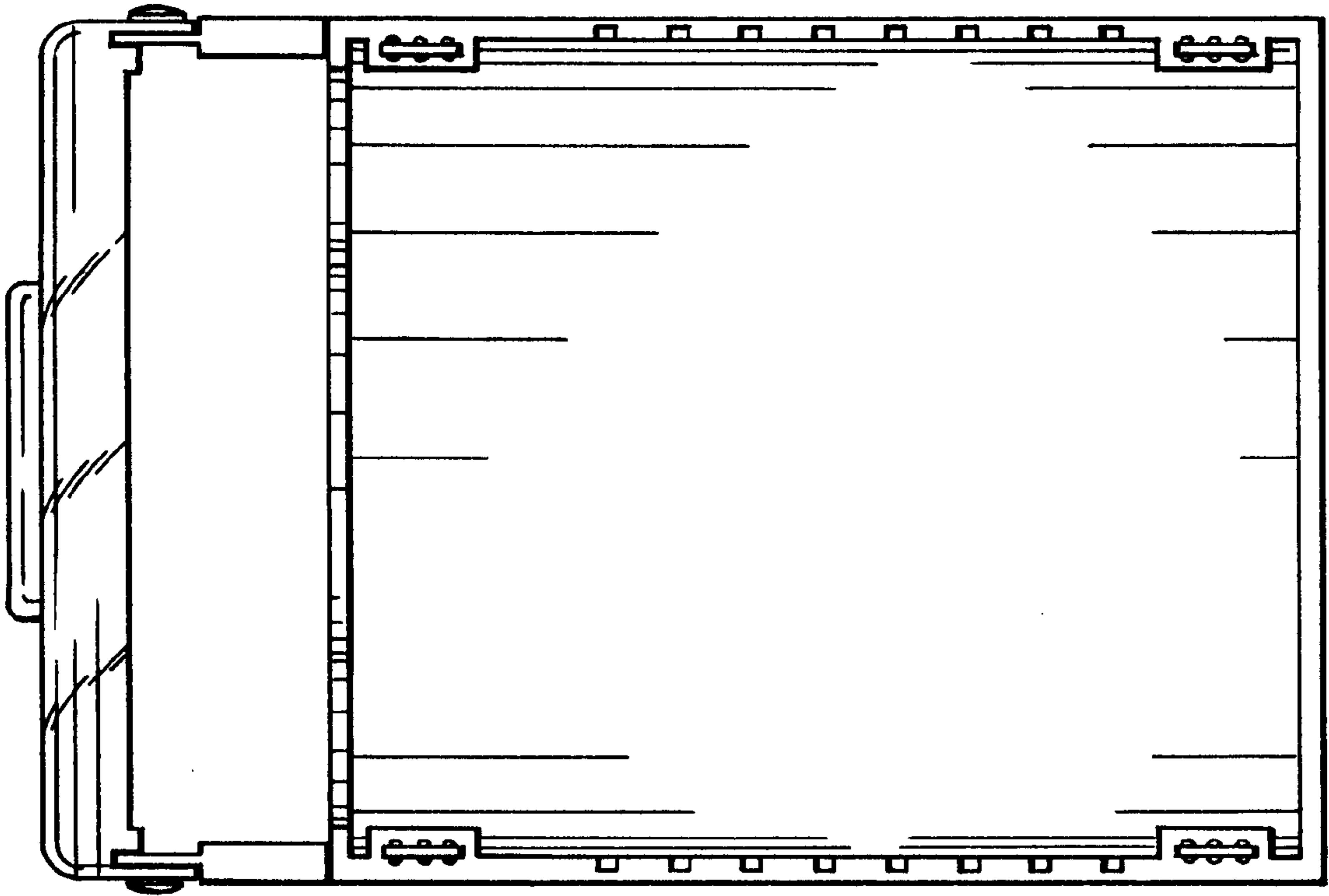


FIG. 11

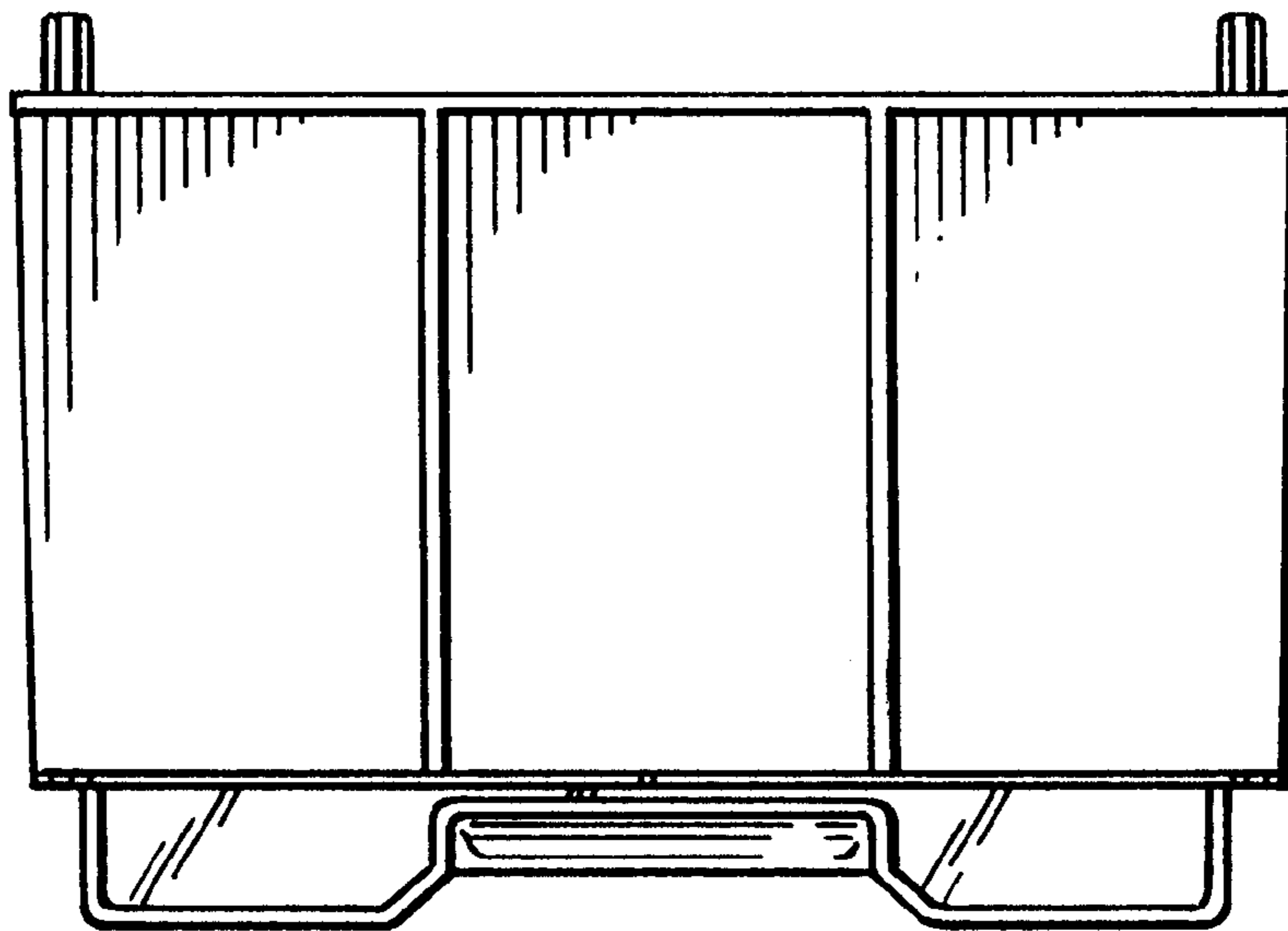


FIG. 12

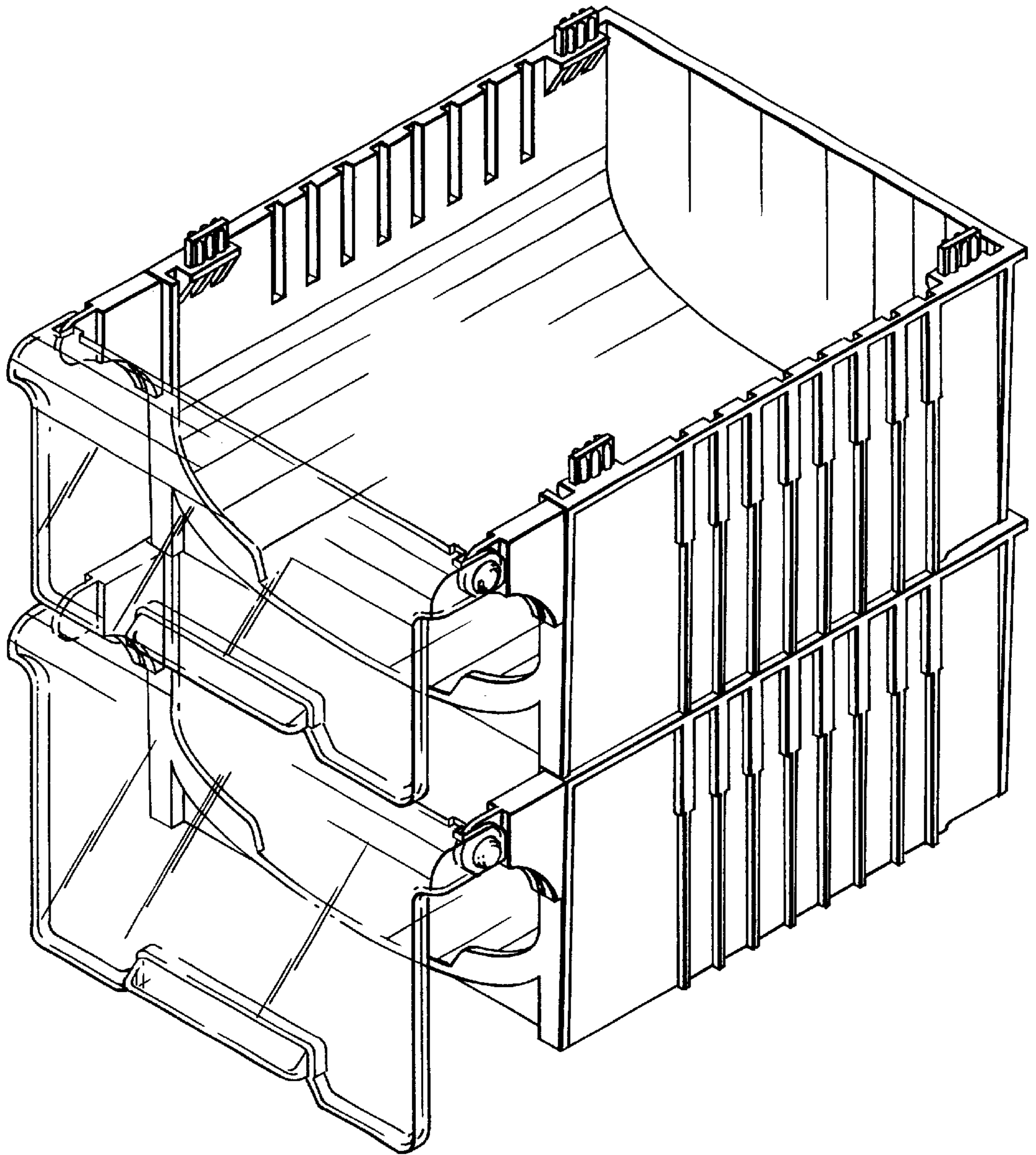


FIG. 13