



US00D468099S

(12) **United States Design Patent**
Chang

(10) **Patent No.:** **US D468,099 S**

(45) **Date of Patent:** **** Jan. 7, 2003**

(54) **RECEIVING BOX**

(75) Inventor: **Jerry Chang**, Taipei (TW)

(73) Assignee: **Silitek Corporation**, Taipei (TW)

(**) Term: **14 Years**

(21) Appl. No.: **29/141,841**

(22) Filed: **May 15, 2001**

(51) **LOC (7) Cl.** **03-01**

(52) **U.S. Cl.** **D3/273**

(58) **Field of Search** D3/272, 273, 282,
D3/294, 295, 303, 319, 290, 284, 276;
190/900, 901, 903, 110; 206/425, 215,
305, 320, 328, 576

(56) **References Cited**

U.S. PATENT DOCUMENTS

D294,776 S * 3/1988 Gander et al. D3/273
D411,767 S * 7/1999 Keller D3/273
D432,311 S * 10/2000 Weinreb D3/319

D439,742 S * 4/2001 Fujino et al. D3/290
D448,167 S * 9/2001 Pangerc et al. D3/294
D448,930 S * 10/2001 Kambouris D3/273

* cited by examiner

Primary Examiner—Catherine R. Oliver

(74) *Attorney, Agent, or Firm*—Rabin & Berdo, P.C.

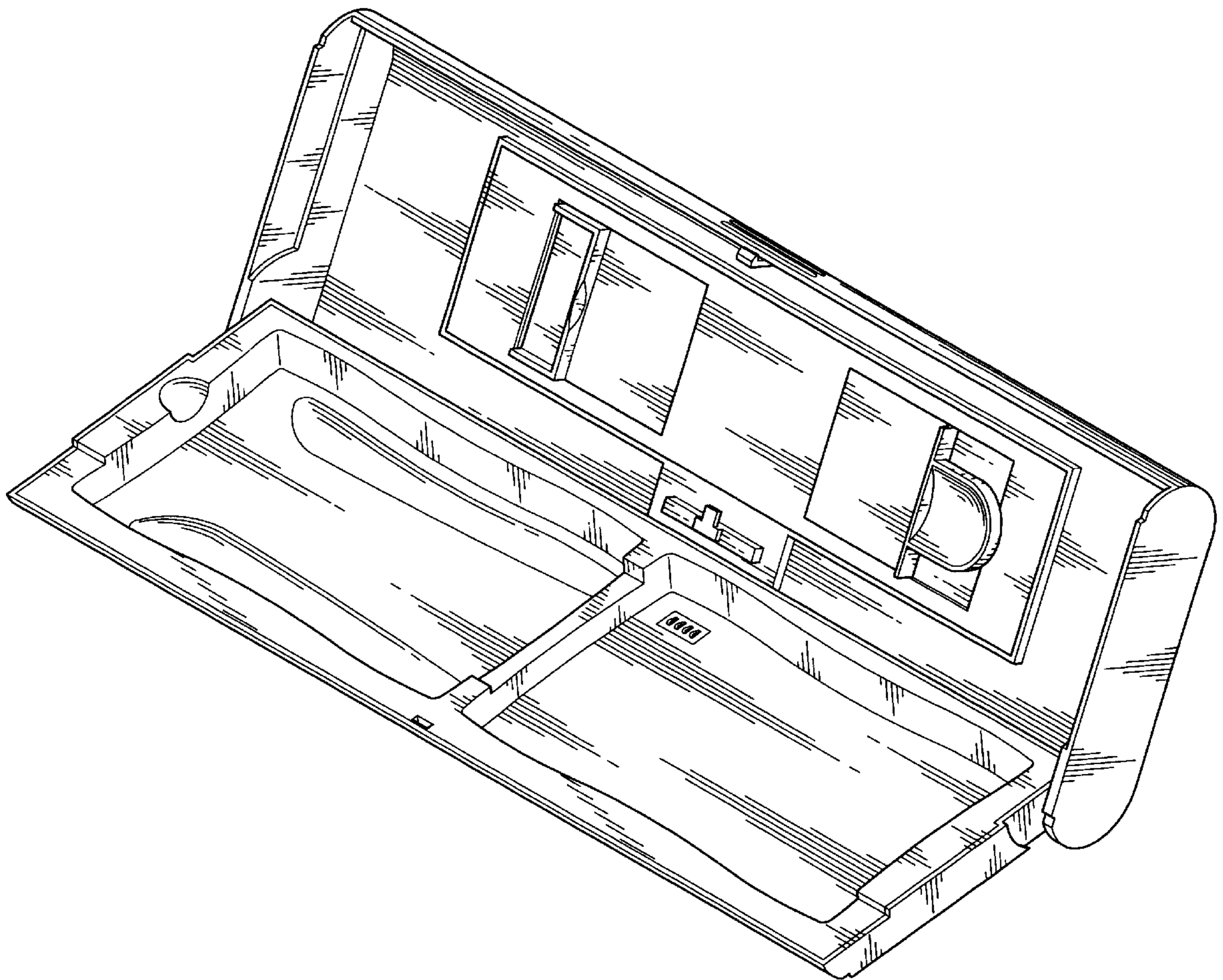
(57) **CLAIM**

The ornamental design for a “receiving box,” as shown and described.

DESCRIPTION

FIG. 1 is the perspective view of a “receiving box” showing my new design;
FIG. 2 is the front view thereof;
FIG. 3 is the rear view thereof;
FIG. 4 is the left side view thereof;
FIG. 5 is the right side view thereof;
FIG. 6 is the top view thereof; and,
FIG. 7 is the bottom view thereof.

1 Claim, 6 Drawing Sheets



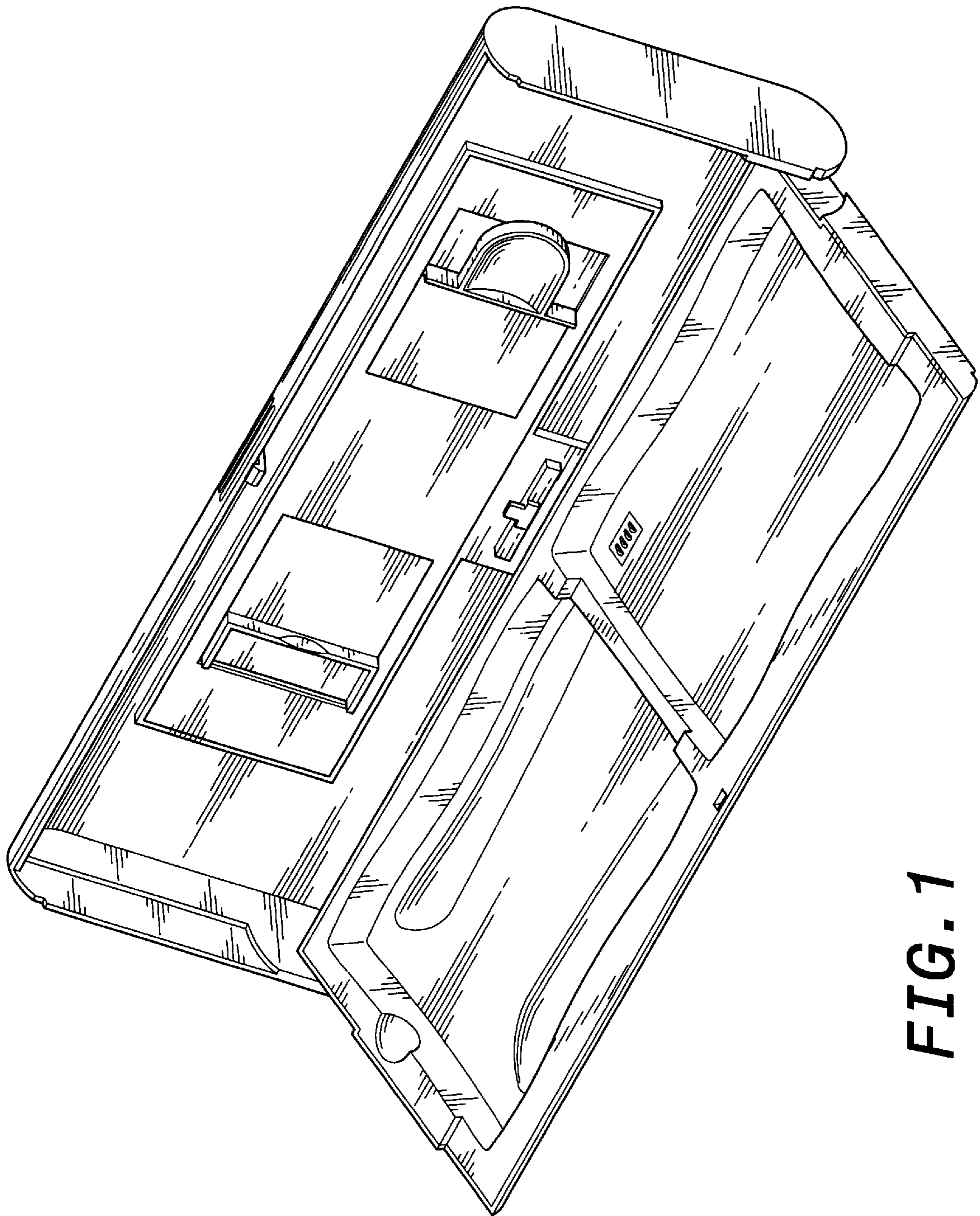


FIG. 1

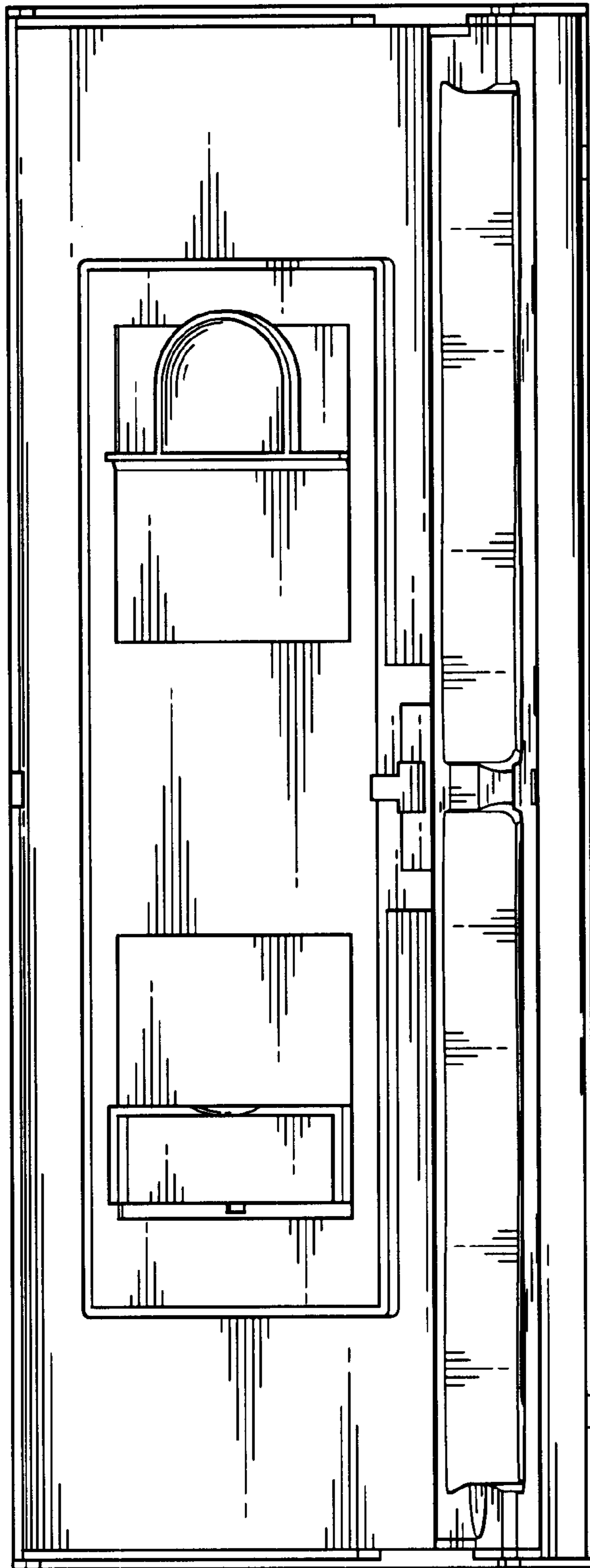


FIG. 2

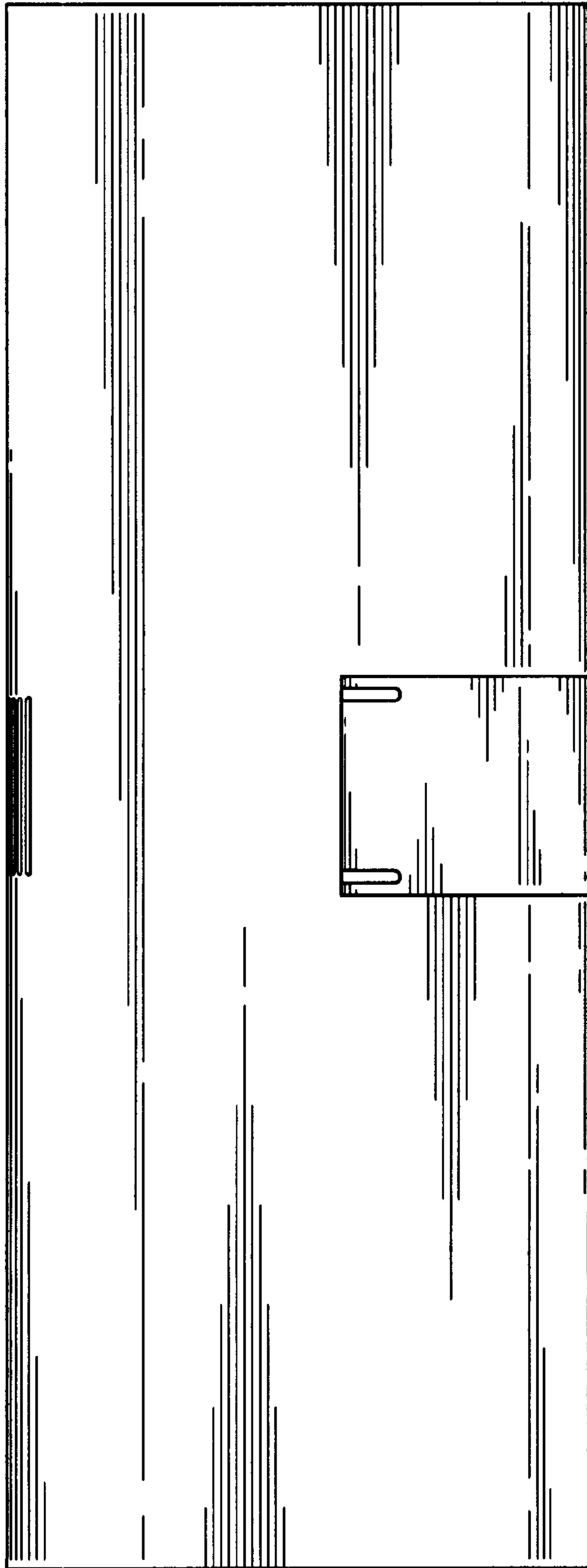


FIG. 3

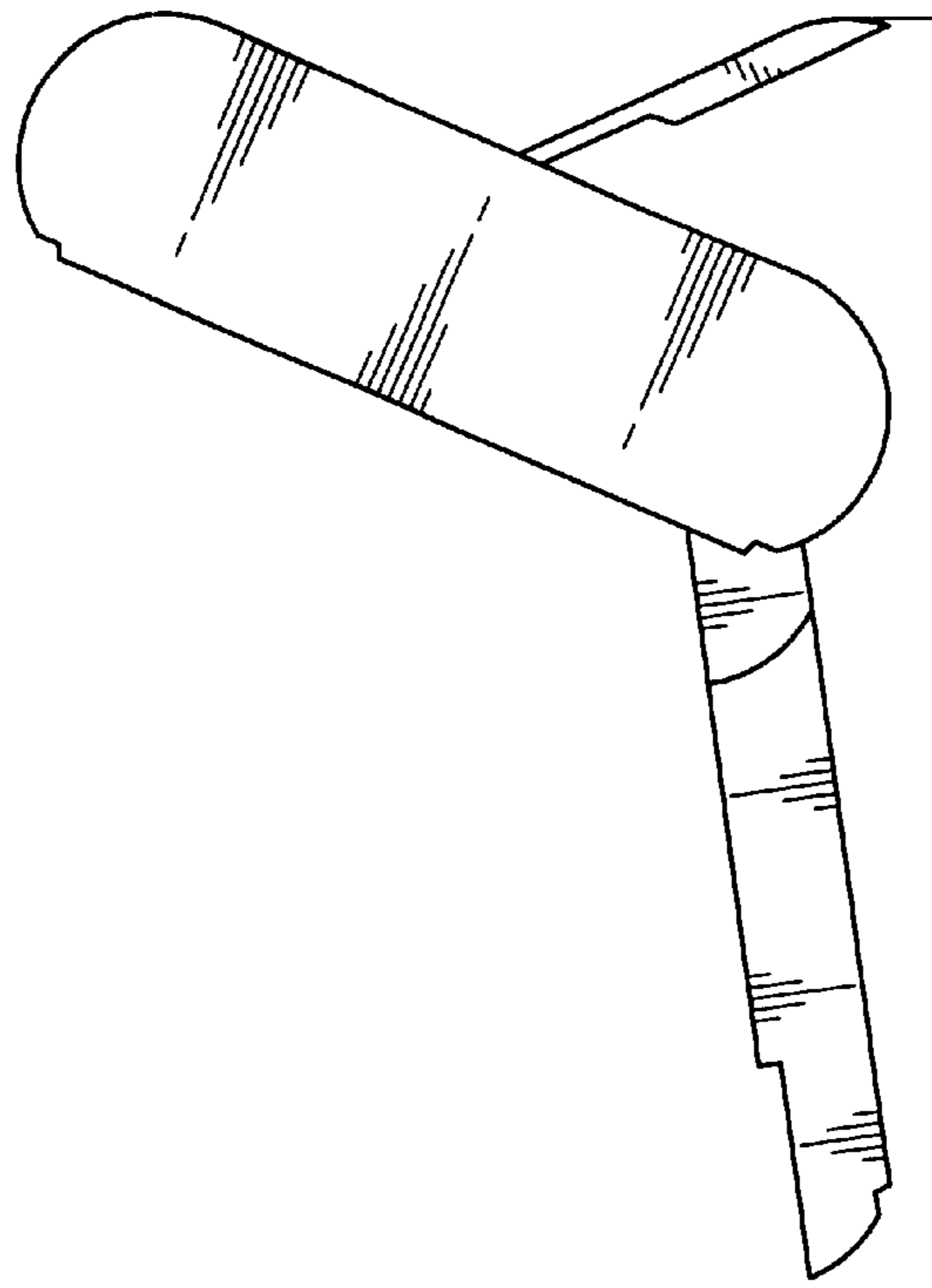


FIG. 5

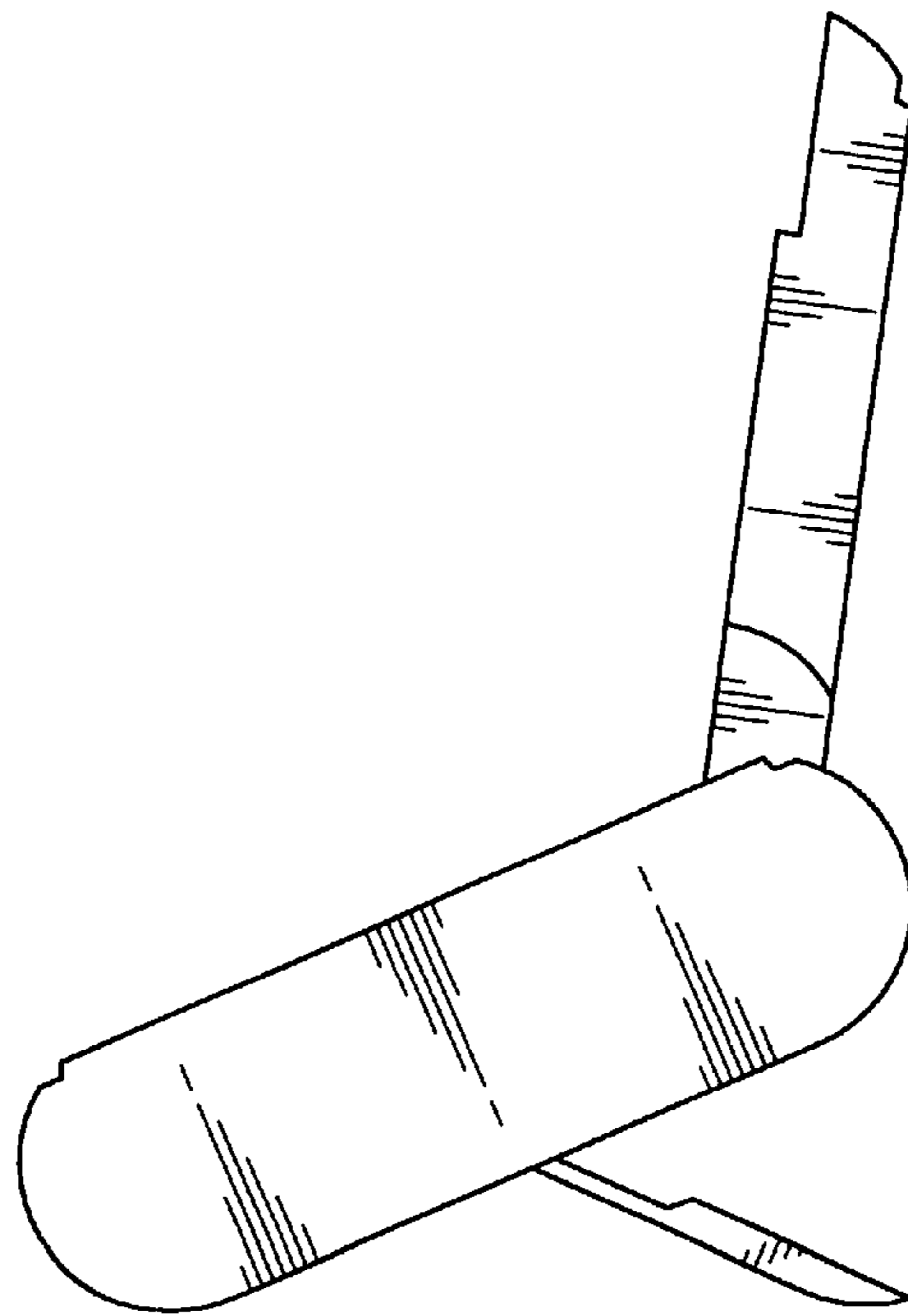


FIG. 4

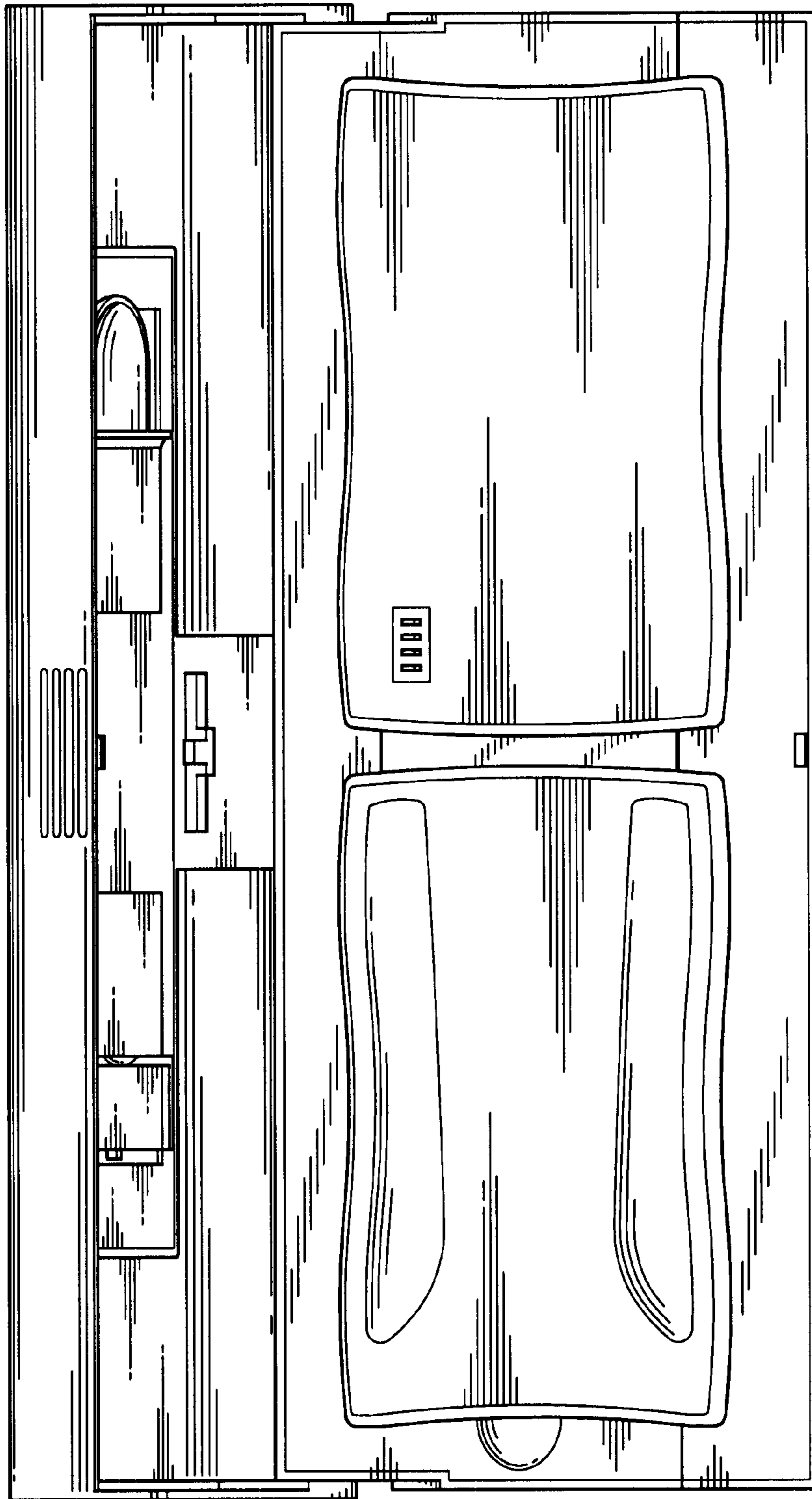


FIG. 6

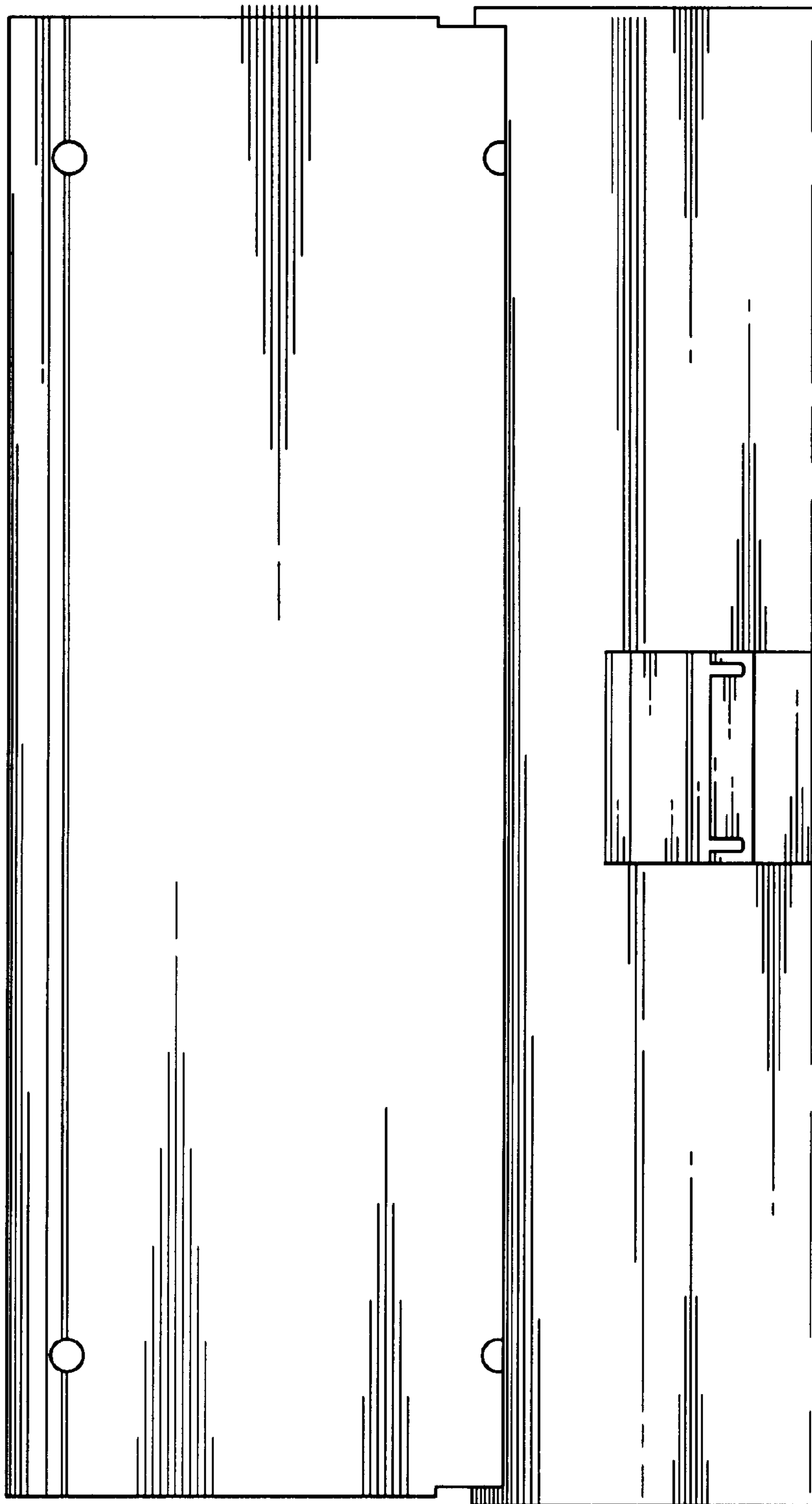


FIG. 7