



US00D468098S

(12) **United States Design Patent**
Lu

(10) **Patent No.:** **US D468,098 S**

(45) **Date of Patent:** **** Jan. 7, 2003**

(54) **COMBINATION INNER SHELL OF GOLF BAG AND GOLF CART**

6,186,520 B1 * 2/2001 Barten 280/30
D439,403 S * 3/2001 Certin D3/255

(75) Inventor: **Chin-Min Lu**, Taipei (TW)

* cited by examiner

(73) Assignee: **Hi-Mark International Design Inc.**,
Taipei (TW)

Primary Examiner—Philip S. Hyder

(74) *Attorney, Agent, or Firm*—Troxell Law Office PLLC

(**) Term: **14 Years**

(57) **CLAIM**

The ornamental design for a combination inner shell of golf bag and golf cart, as shown and described.

(21) Appl. No.: **29/154,693**

(22) Filed: **Jan. 30, 2002**

DESCRIPTION

(51) **LOC (7) Cl.** **03-01**

(52) **U.S. Cl.** **D3/255**

(58) **Field of Search** D3/254, 255; 280/645,
280/652, 646, 47.17, 47.18; 206/315.2,
315.3, 315.4, 315.5, 315.6

FIG. 1 is a perspective view of a combination inner shell of golf bag and golf cart, showing my new design;
FIG. 2 is a front view of the new design;
FIG. 3 is a rear view of the new design;
FIG. 4 is a left view of the new design;
FIG. 5 is a right view of the new design;
FIG. 6 is a top view of the new design;
FIG. 7 is a bottom view of the new design; and,
FIG. 8 is a perspective view of the new design wherein the handle and wheel assembly are shown in their extended position.

(56) **References Cited**

U.S. PATENT DOCUMENTS

4,735,425 A * 4/1988 Hoff 280/47.18
5,435,581 A * 7/1995 Rosenfield 280/30
5,967,543 A * 10/1999 Taylor 206/315.4
6,068,270 A * 5/2000 Kim 280/43.1

1 Claim, 8 Drawing Sheets

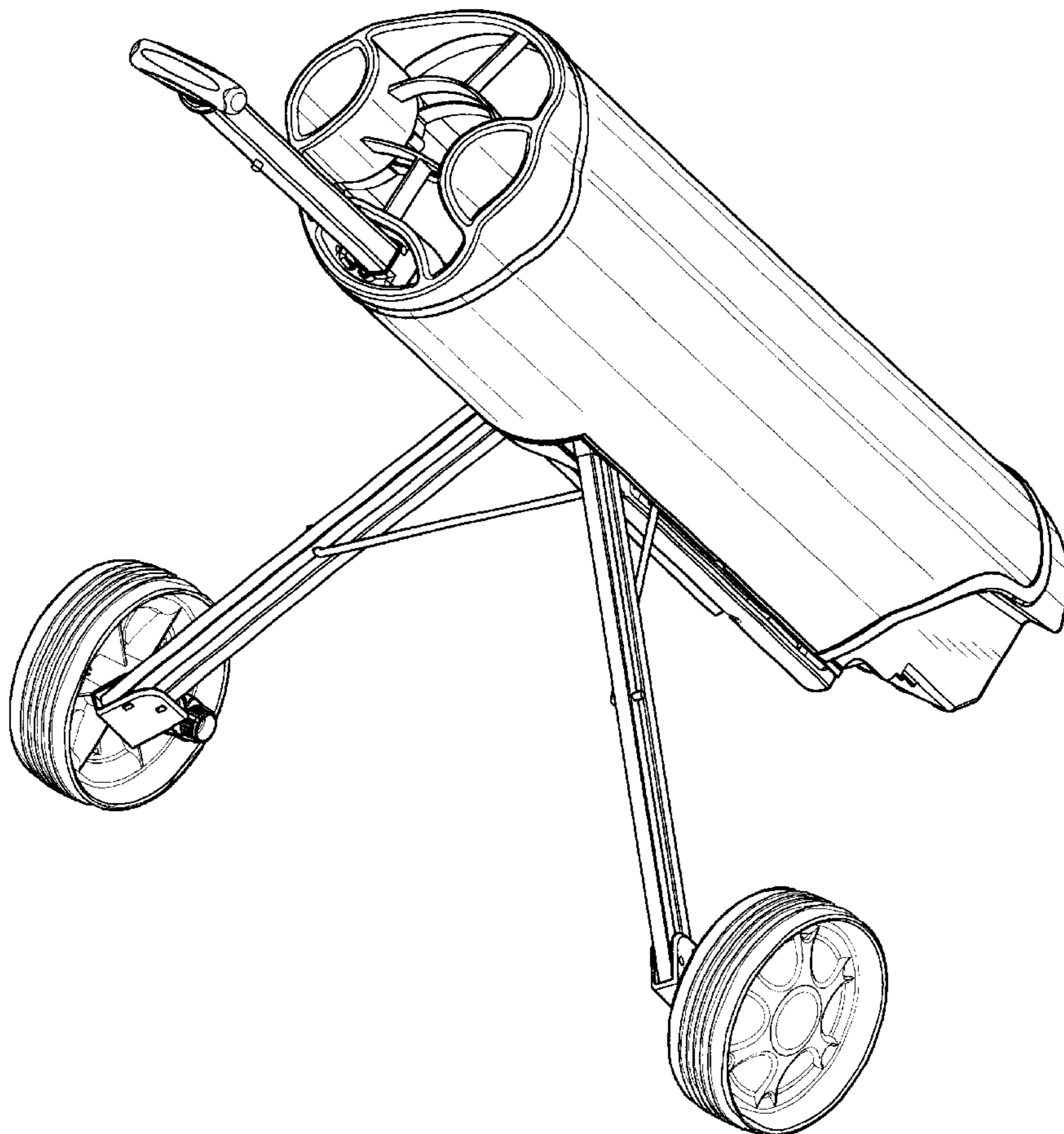




Fig. 1

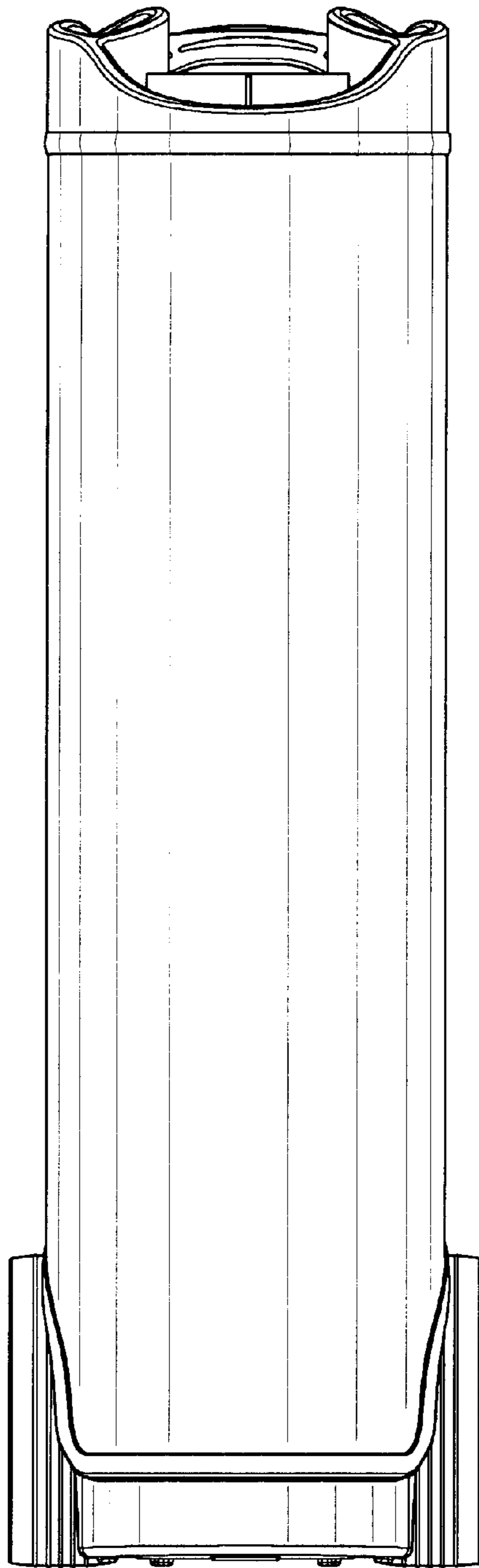


Fig. 2

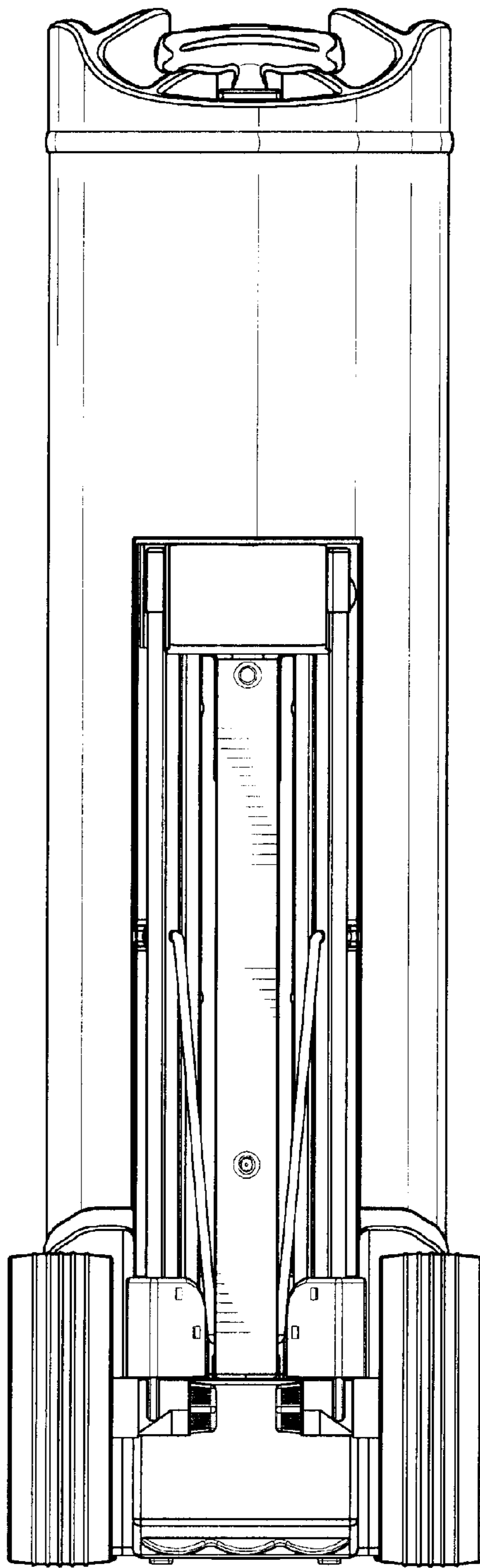


Fig. 3

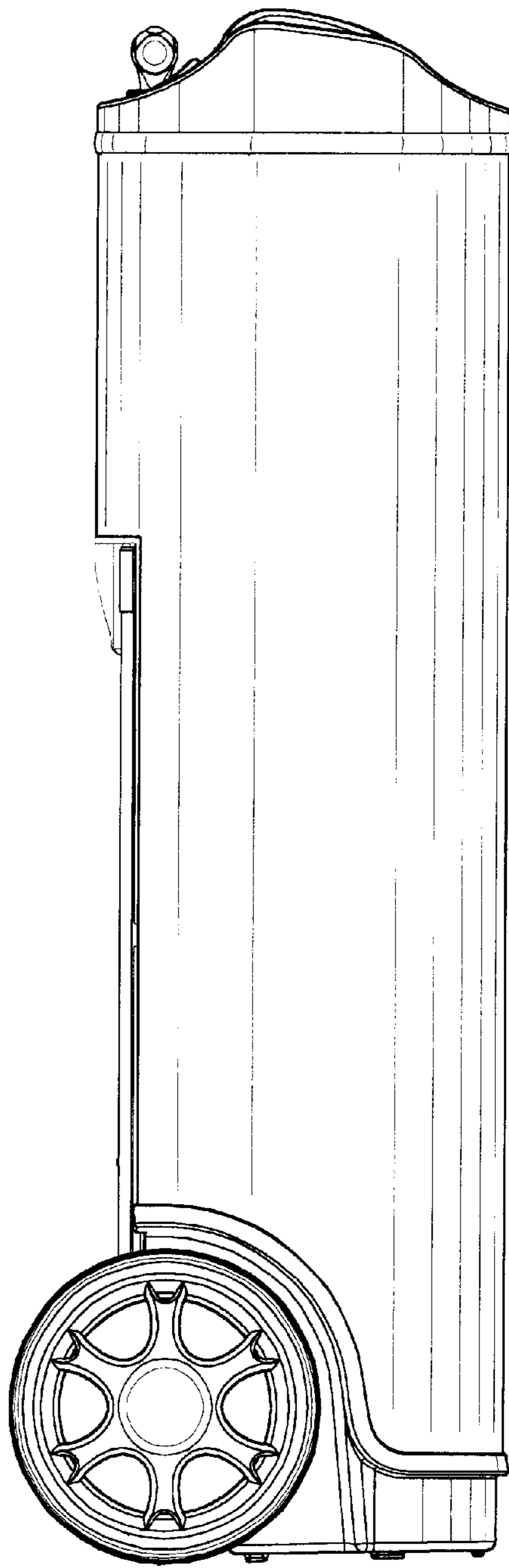


Fig. 4

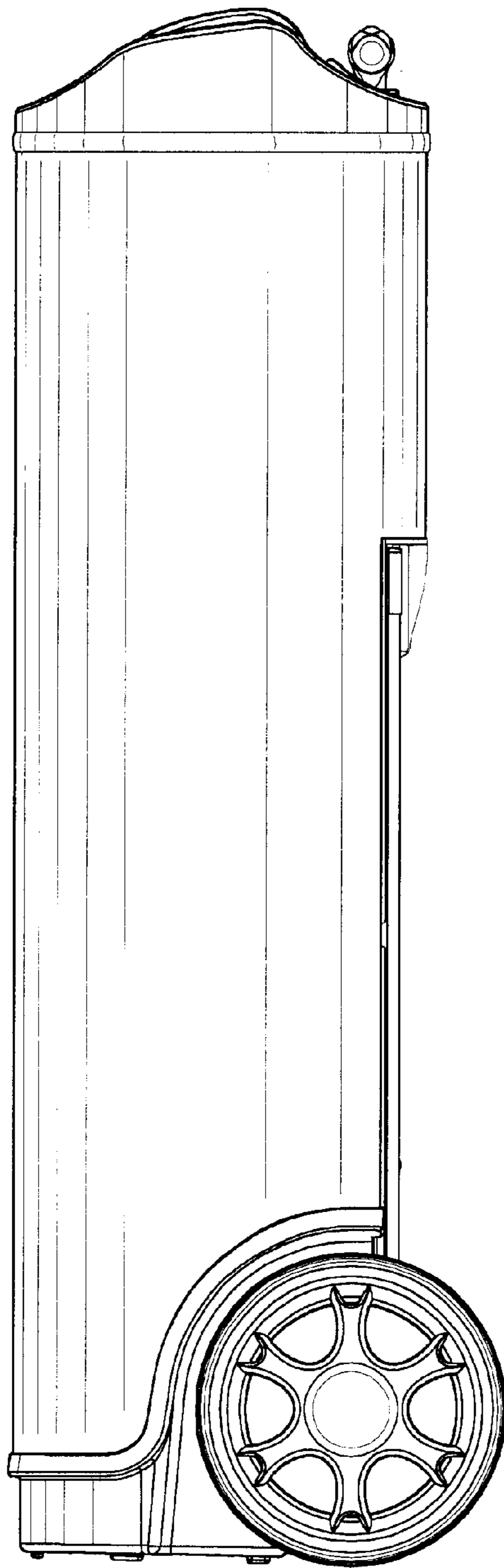


Fig. 5

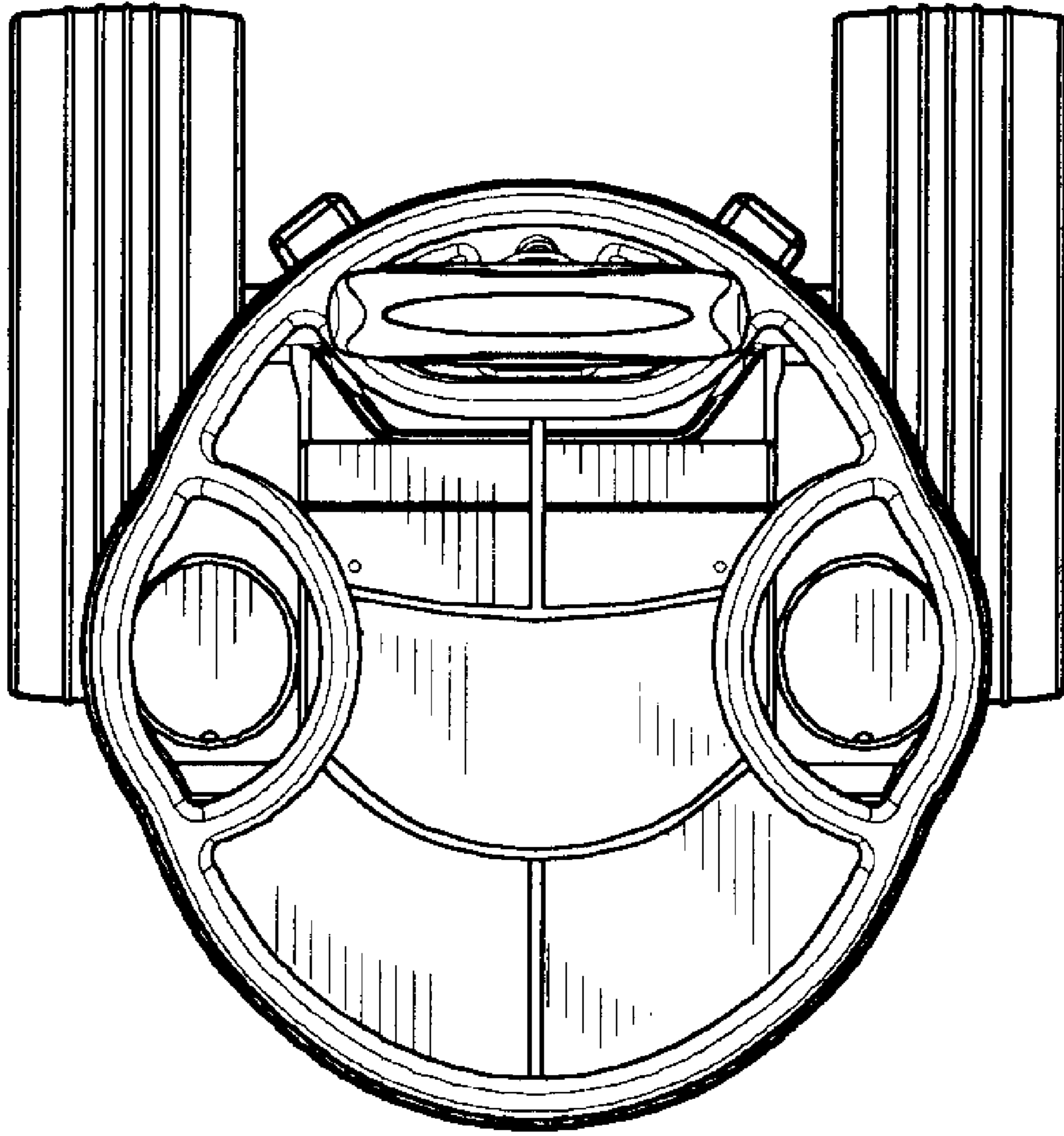


Fig. 6

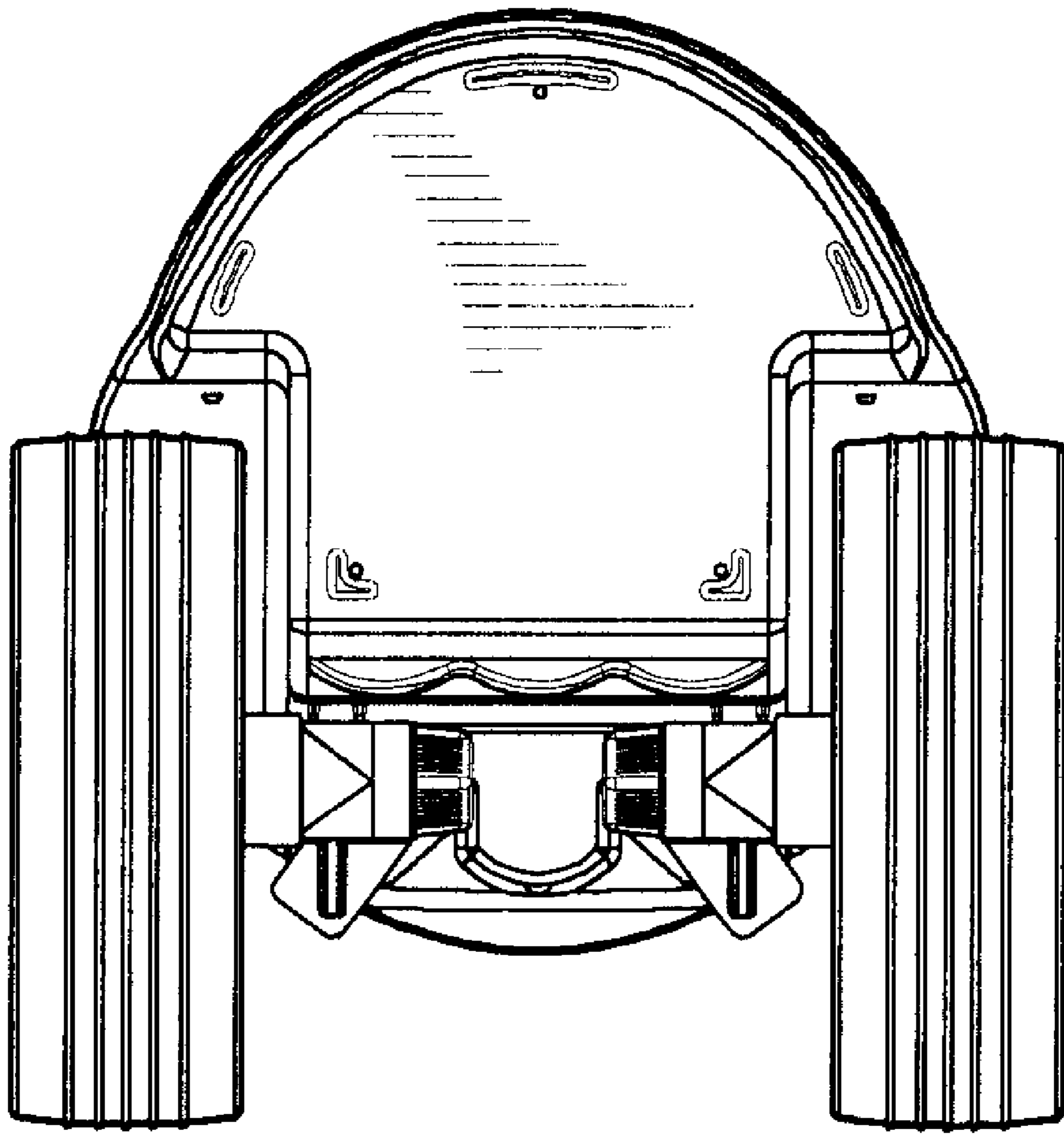


Fig. 7

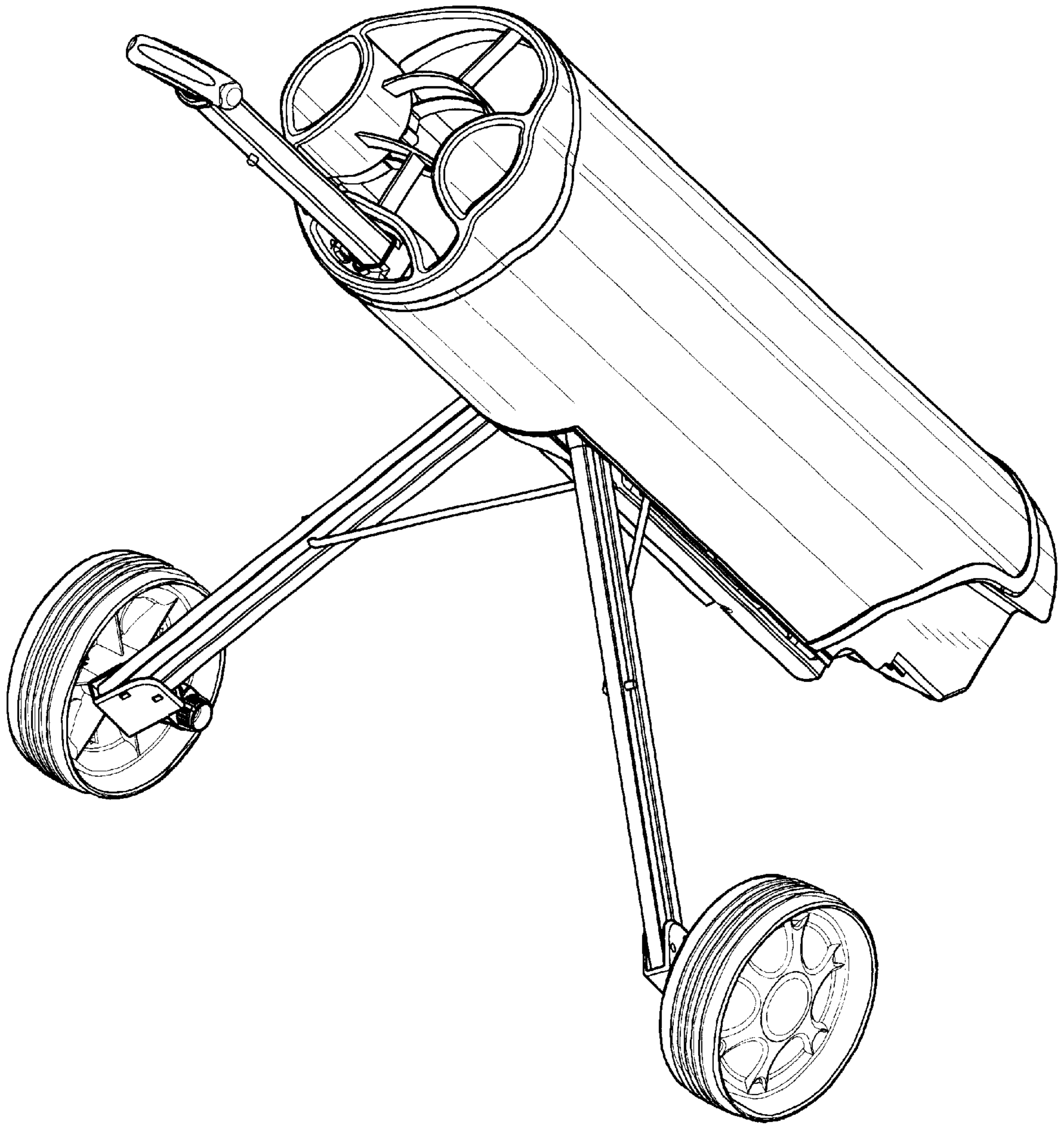


Fig. 8