



US00D468084S

(12) **United States Design Patent**  
**Lin**

(10) **Patent No.:** **US D468,084 S**

(45) **Date of Patent:** **\*\* Jan. 7, 2003**

(54) **SPIKE FOR A GOLF SHOE**

(76) Inventor: **Yang Chin Lin**, No. 33, Li Teh E. St.,  
Taichung (TW)

(\*\*) Term: **14 Years**

(21) Appl. No.: **29/153,978**

(22) Filed: **Jan. 14, 2002**

(51) **LOC (7) Cl.** ..... **02-99**

(52) **U.S. Cl.** ..... **D2/962**

(58) **Field of Search** ..... D2/906, 962; 36/134,  
36/59 R, 67 A, 67 D

(56) **References Cited**

**U.S. PATENT DOCUMENTS**

D455,896 S \* 4/2002 Peabody ..... D2/962

D459,866 S \* 7/2002 Gan ..... D2/962

\* cited by examiner

*Primary Examiner*—Dominic Simone

(74) *Attorney, Agent, or Firm*—Alan D. Kamrath; Rider,  
Bennett, Egan & Arundel

(57) **CLAIM**

The ornamental design for a spike for golf shoe, as shown  
and described.

**DESCRIPTION**

FIG. 1 is a perspective view of a spike for a golf shoe  
showing my design;

FIG. 2 is a front elevational view thereof;

FIG. 3 is a rear elevational view thereof;

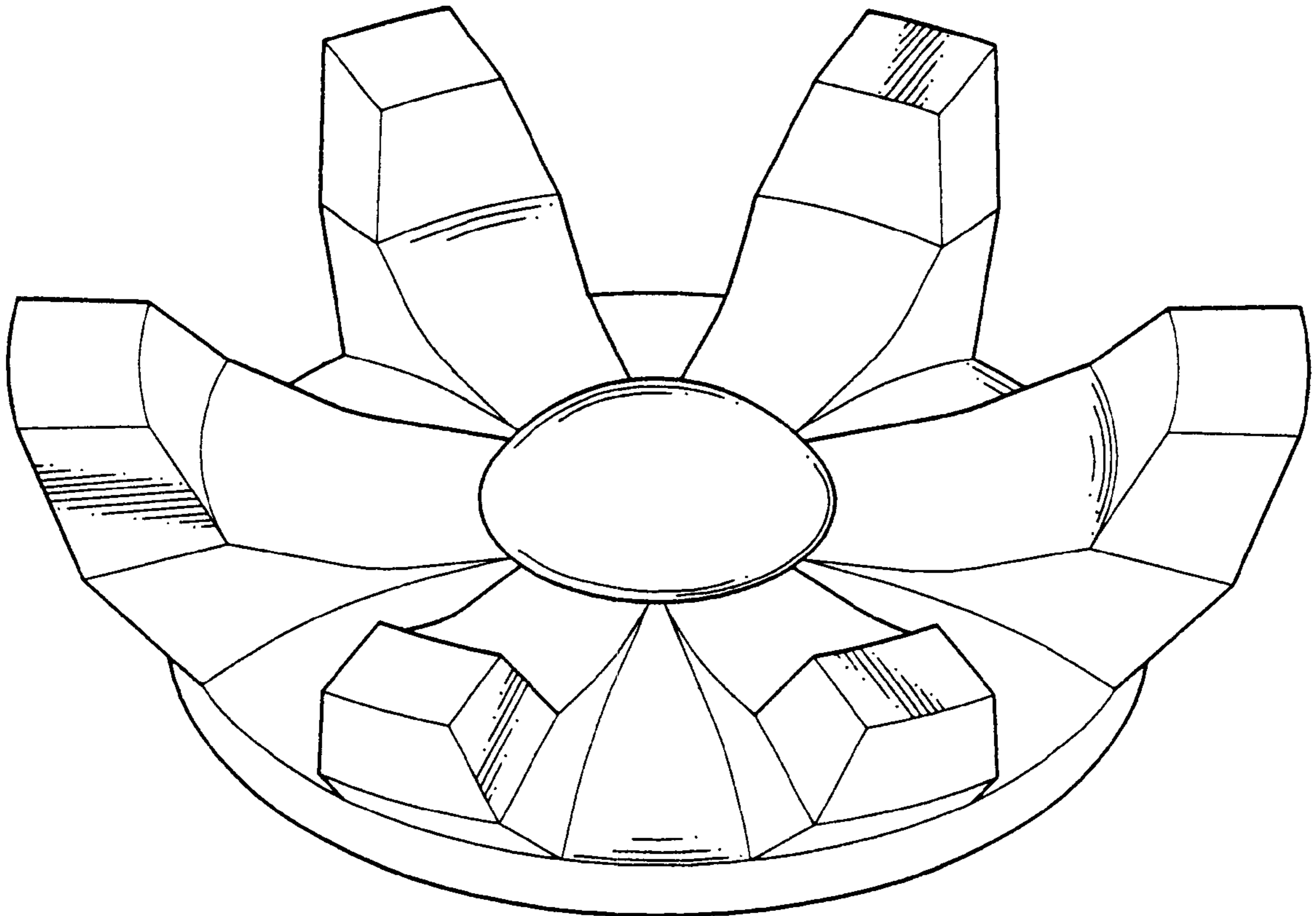
FIG. 4 is a left elevational view thereof;

FIG. 5 is a right elevational view thereof;

FIG. 6 is a top plan view thereof; and,

FIG. 7 is a bottom plan view thereof.

**1 Claim, 7 Drawing Sheets**



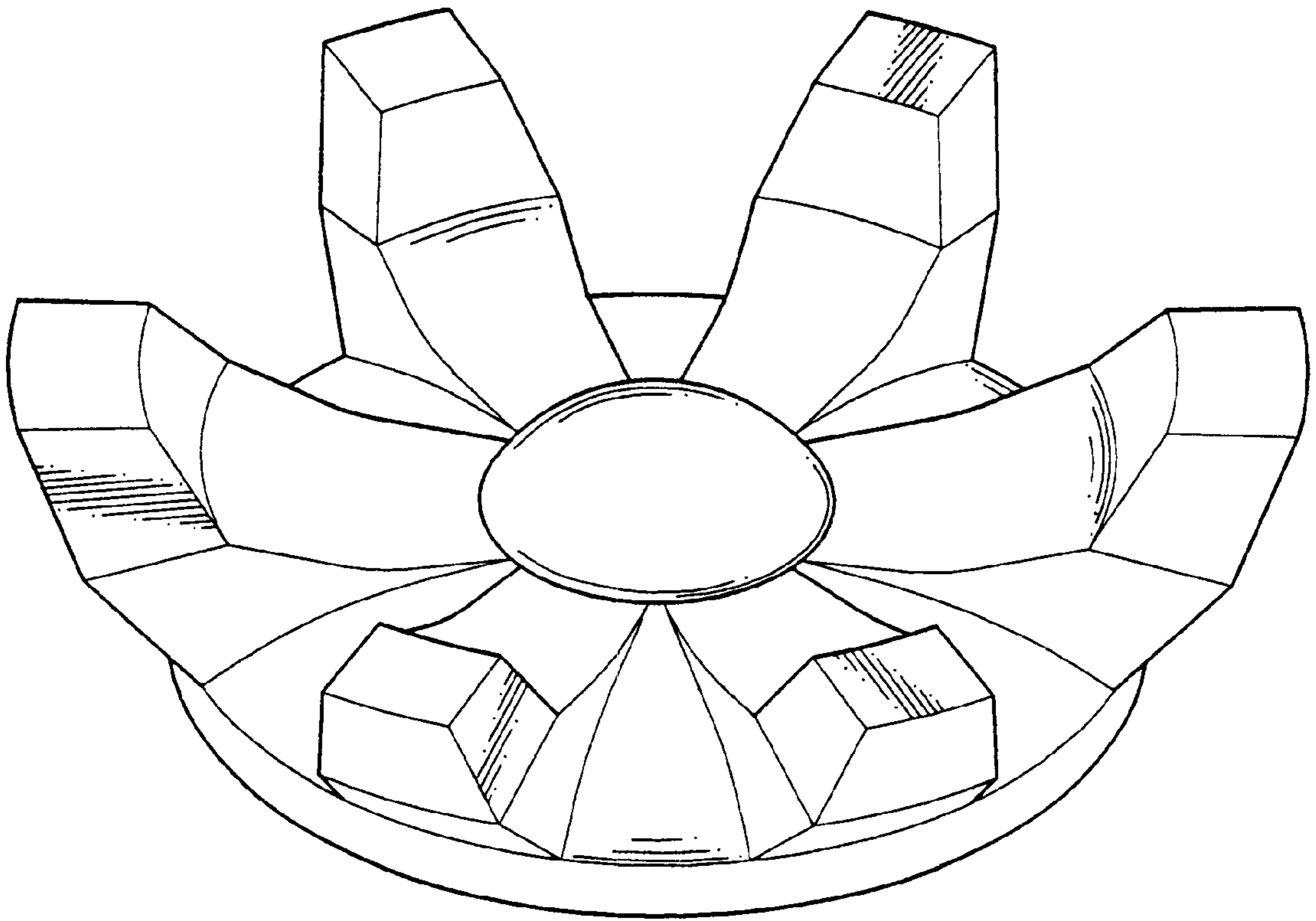


FIG . 1

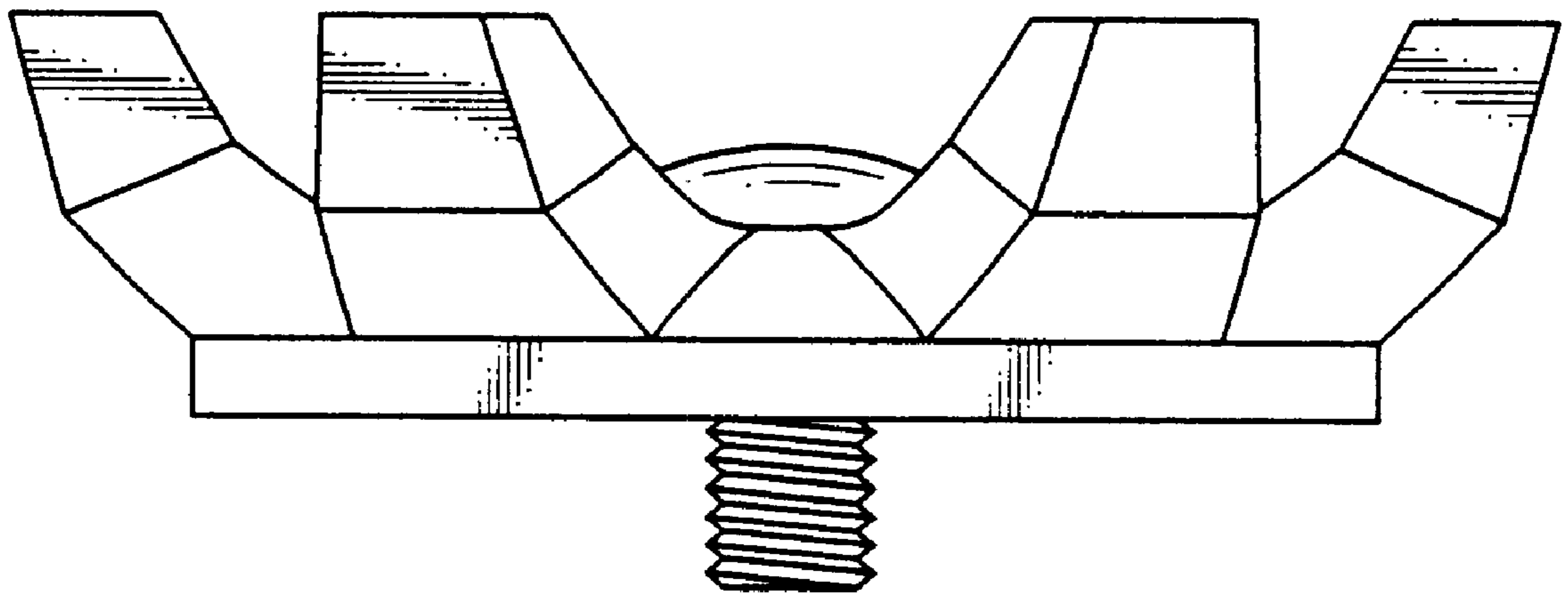
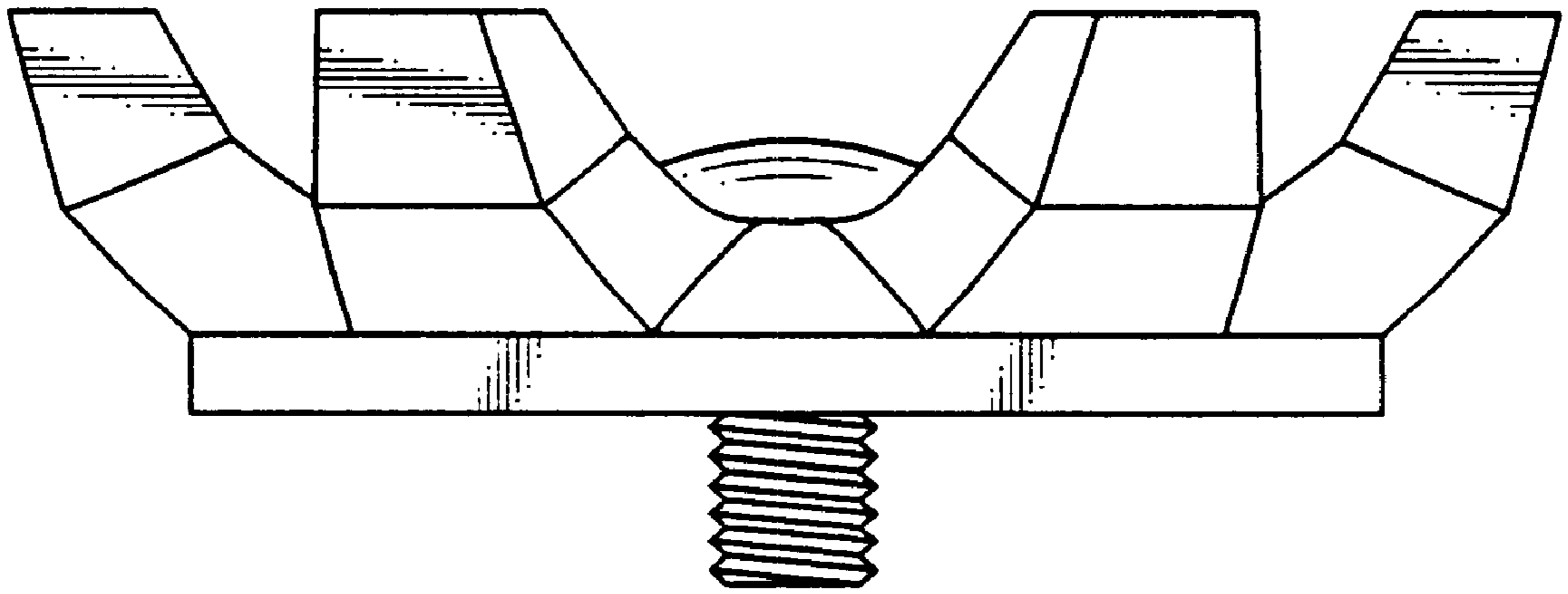
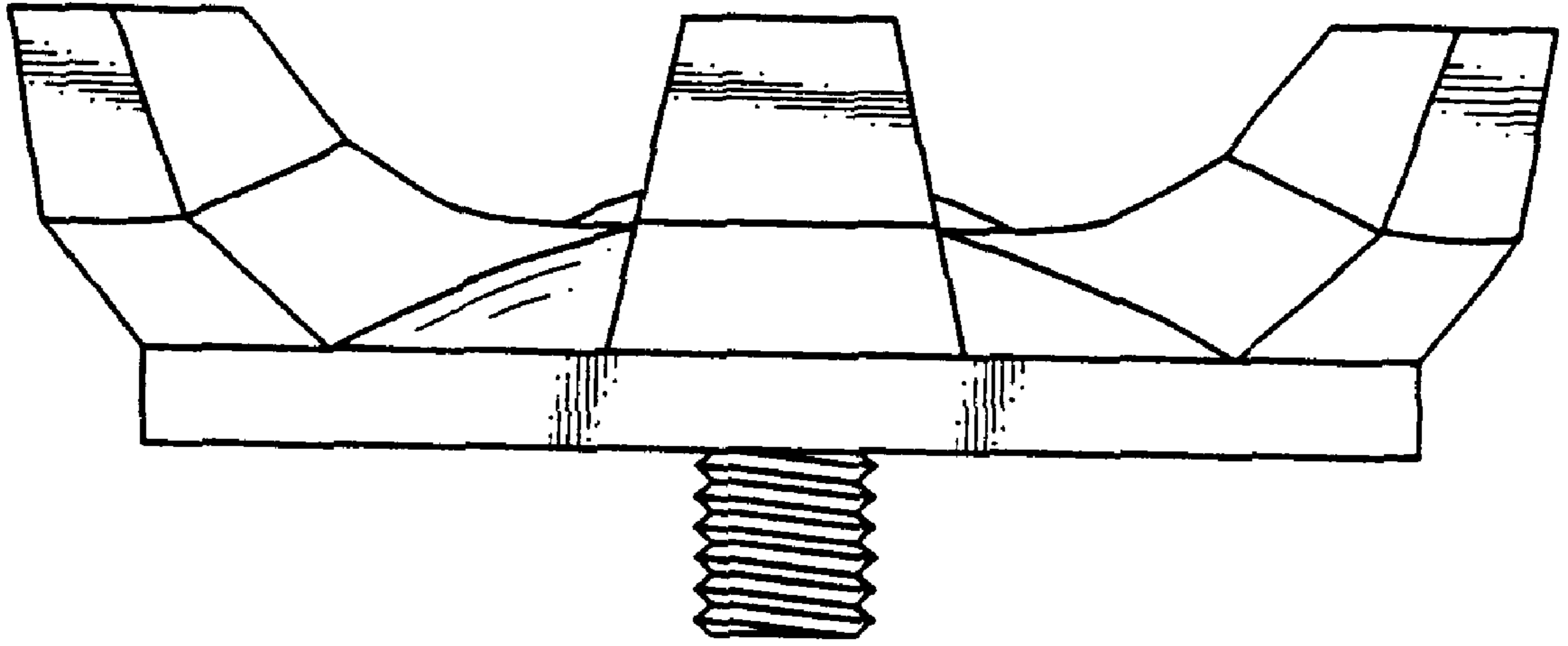


FIG . 2



**FIG . 3**



**FIG . 4**

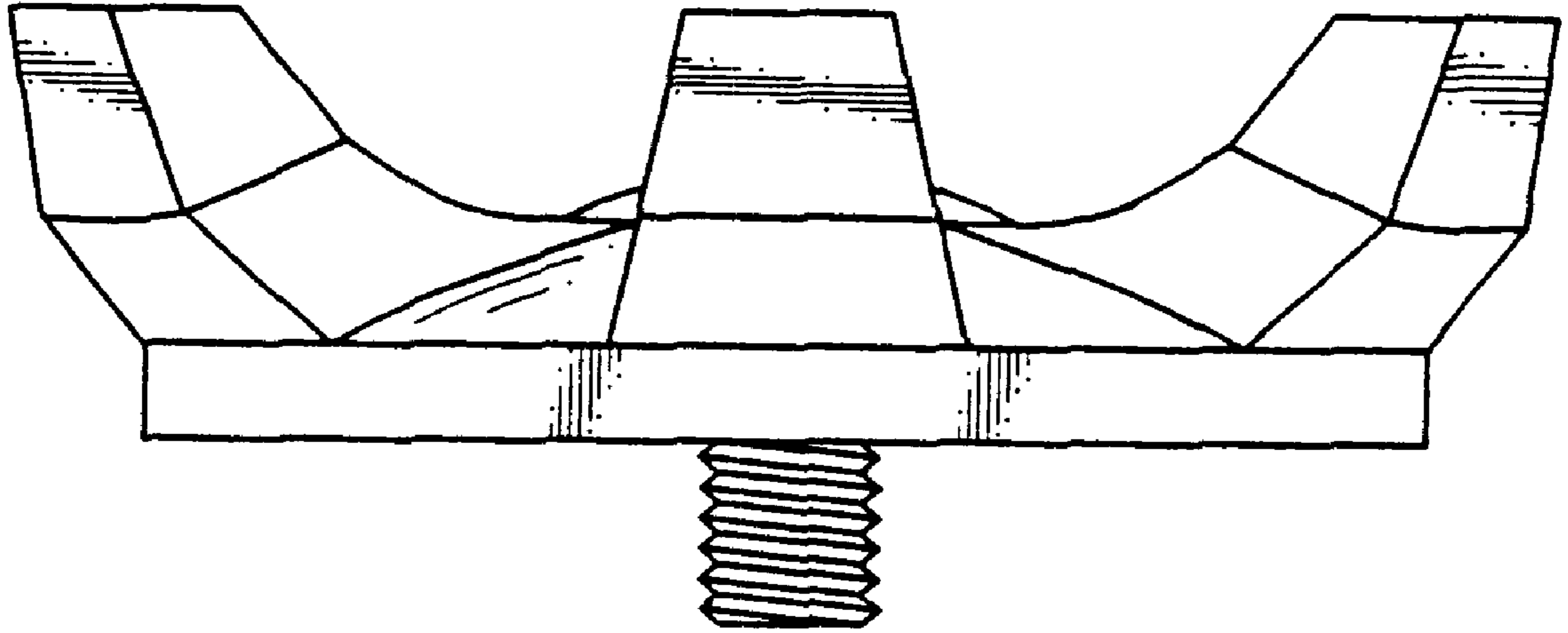
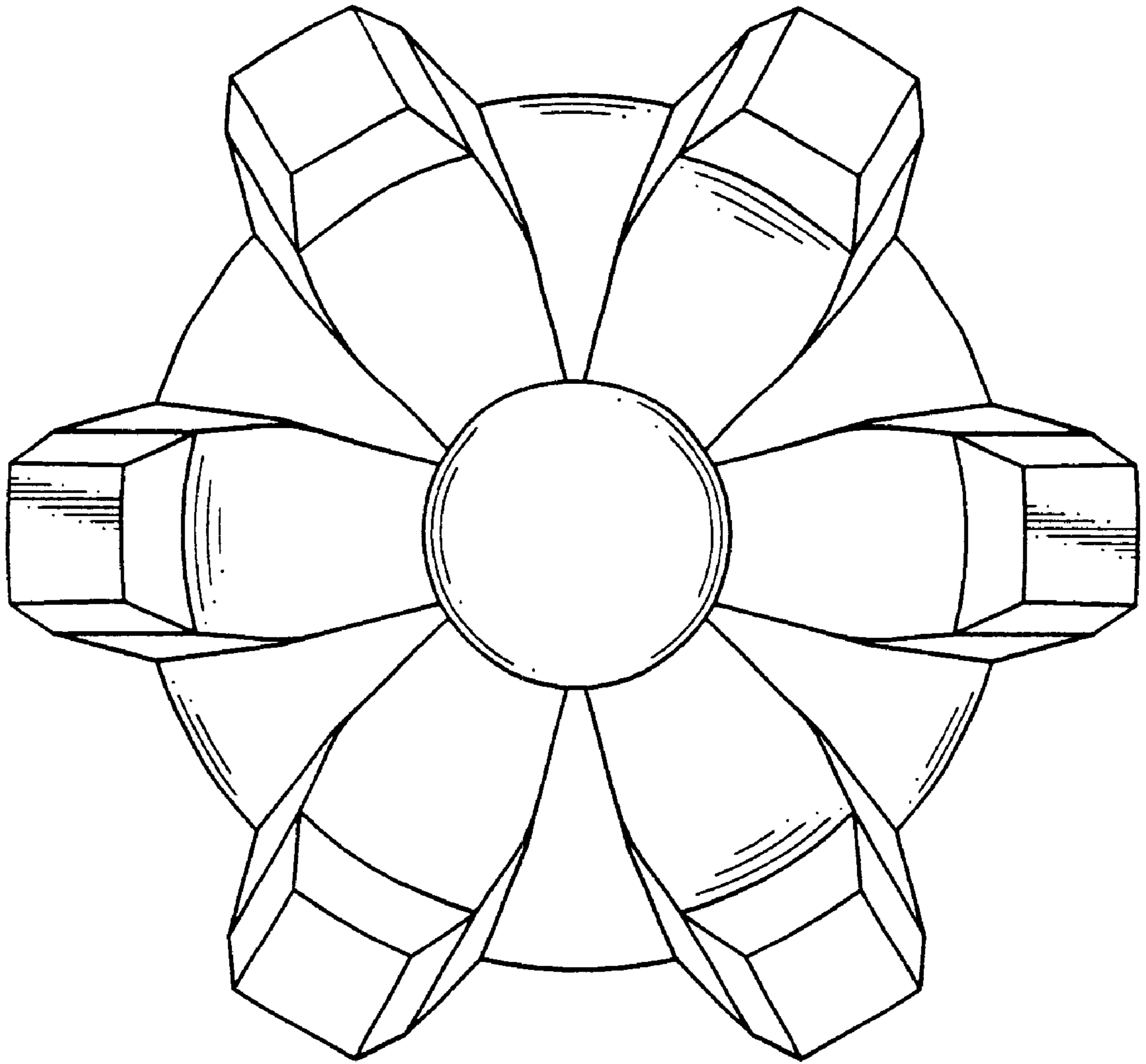
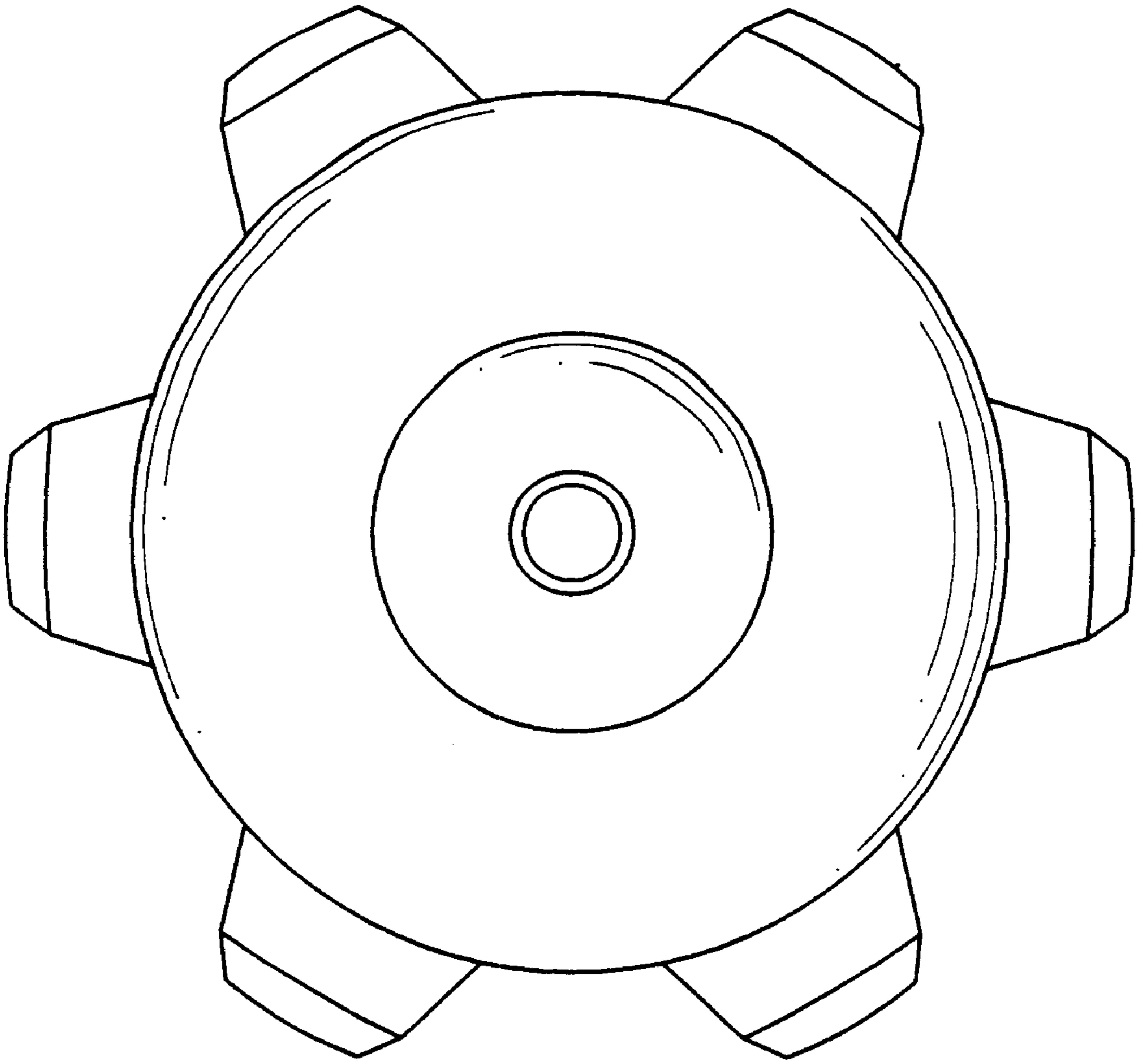


FIG . 5



**FIG . 6**



**FIG . 7**