



US00D468082S

(12) **United States Design Patent**
Brown

(10) **Patent No.:** **US D468,082 S**

(45) **Date of Patent:** **** Jan. 7, 2003**

(54) **SHOE SOLE**

(75) **Inventor:** **Jeffrey W. Brown, San Diego, CA (US)**

(73) **Assignee:** **B&B Technologies LLP, San Diego, CA (US)**

(**) **Term:** **14 Years**

(21) **Appl. No.:** **29/109,443**

(22) **Filed:** **Aug. 17, 1999**

(51) **LOC (7) Cl.** **02-04**

(52) **U.S. Cl.** **D2/955; D2/955; D2/960**

(58) **Field of Search** **D2/951, 954, 955, D2/957, 960, 959; 36/32 R, 25 R, 114, 28**

D351,718 S	*	10/1994	Novy	D2/959
5,367,792 A	*	11/1994	Richard et al.	36/114
D377,109 S	*	1/1997	Manfredi	D2/957
D389,994 S	*	2/1998	Sessa	D2/953
D395,157 S	*	6/1998	Conta	D2/955
D396,549 S	*	8/1998	Conta et al.	D2/955
D400,696 S	*	11/1998	Covatch	D2/954
D408,977 S	*	5/1999	Greenberg	D2/960
D440,748 S	*	4/2001	Morgan	D2/957

* cited by examiner

Primary Examiner—Celia Murphy

(74) *Attorney, Agent, or Firm*—Shoemaker and Mattare

(57) **CLAIM**

The ornamental design for a shoe sole, as shown and described.

DESCRIPTION

FIG. 1 is a perspective view of a shoe sole, showing my new design from the top and front; and, FIG. 2 is a perspective view, from the bottom and the front, of the shoe sole shown in FIG. 1.

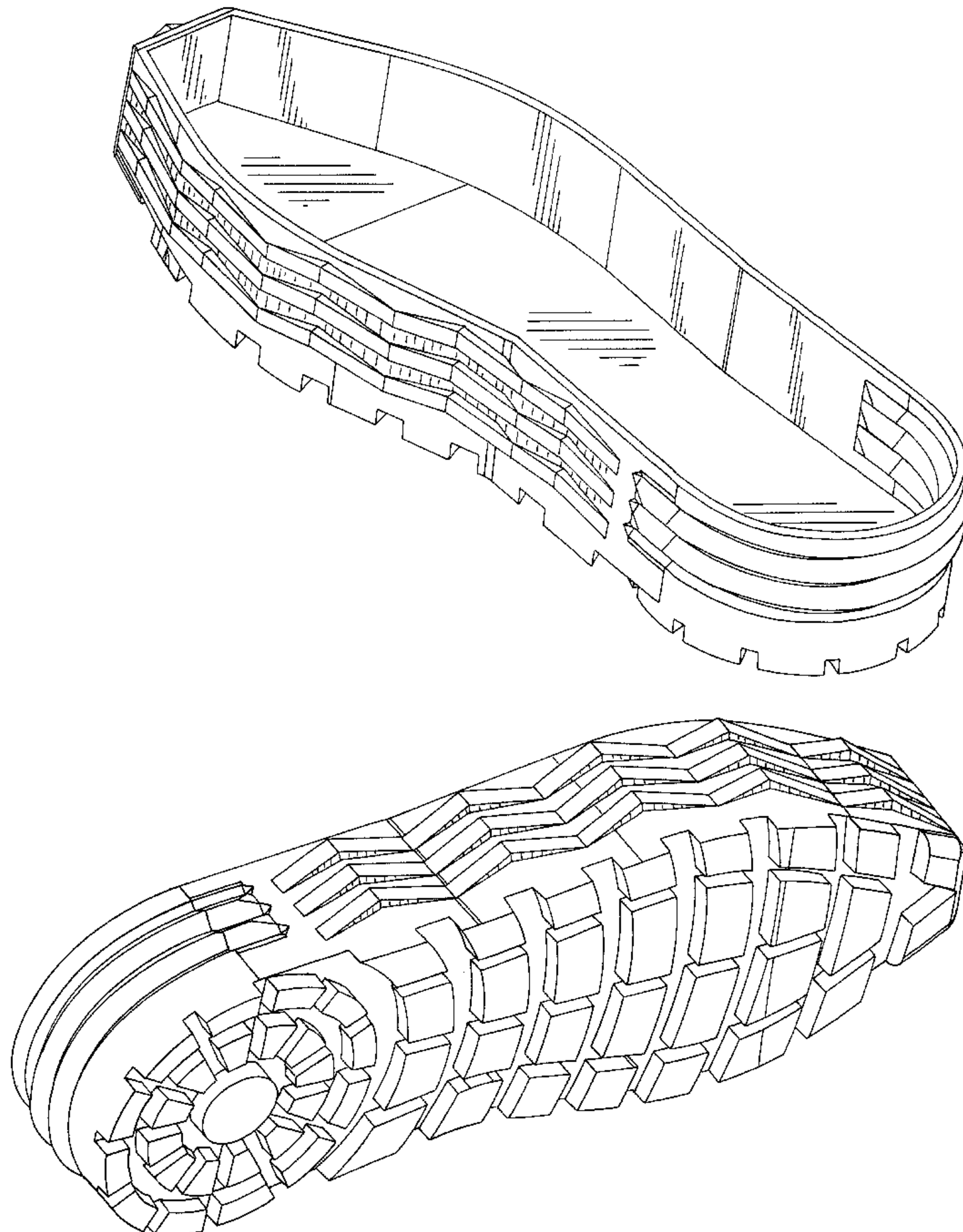
The broken lines showing a protruding point at the toe are for illustrative purposes only and form no part of the claimed design.

1 Claim, 2 Drawing Sheets

(56) **References Cited**

U.S. PATENT DOCUMENTS

D241,688 S	*	10/1976	Johnson	
D259,595 S	*	6/1981	Famolare, Jr. D2/955
D293,274 S	*	12/1987	Igoe D2/954
D298,683 S	*	11/1988	Kelley et al. D2/954
4,918,838 A	*	4/1990	Chang 36/28
5,014,449 A	*	5/1991	Richard et al. 36/114
D320,884 S	*	10/1991	Brue D2/957
D343,048 S	*	1/1994	Hauglin D2/957



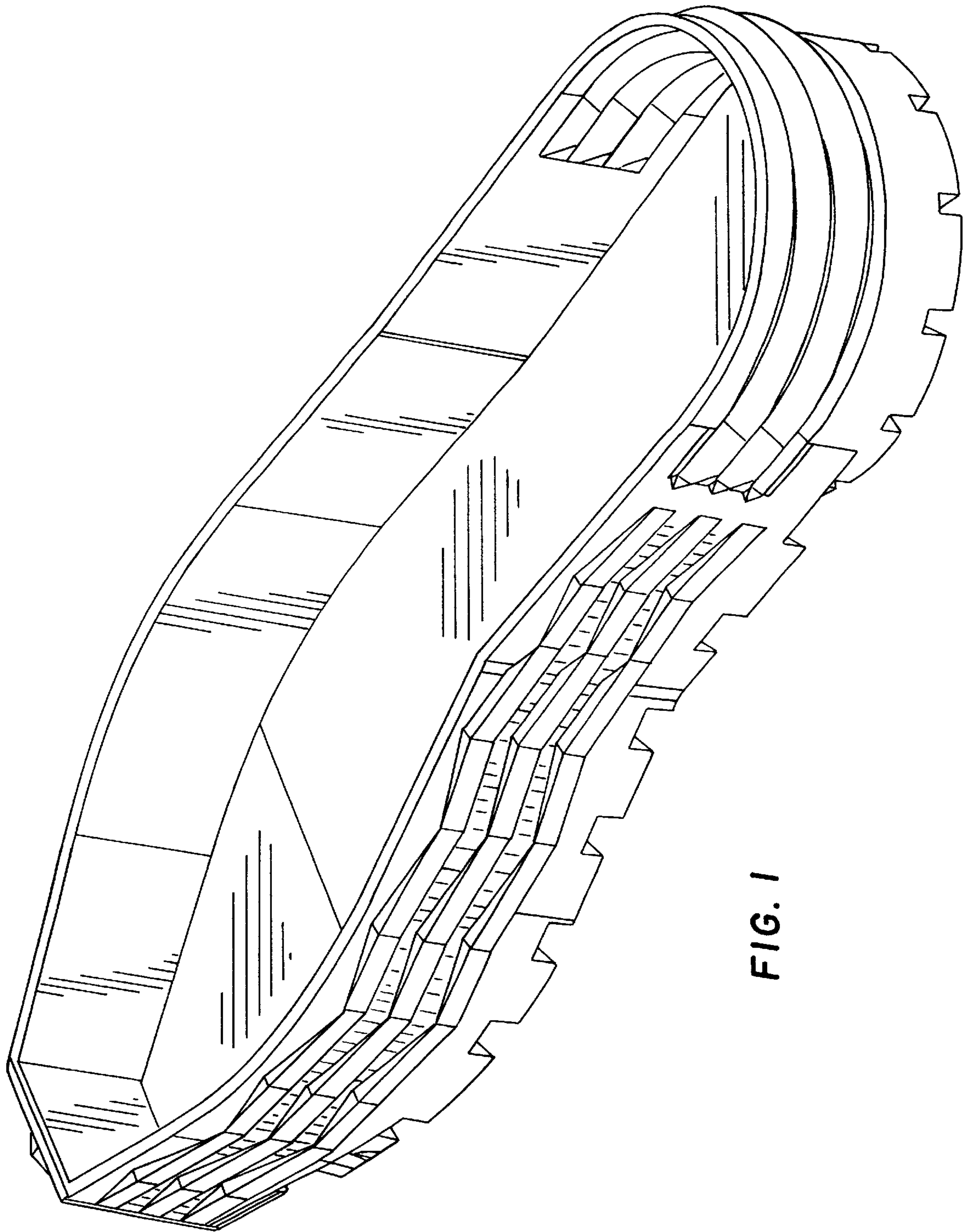


FIG. 1

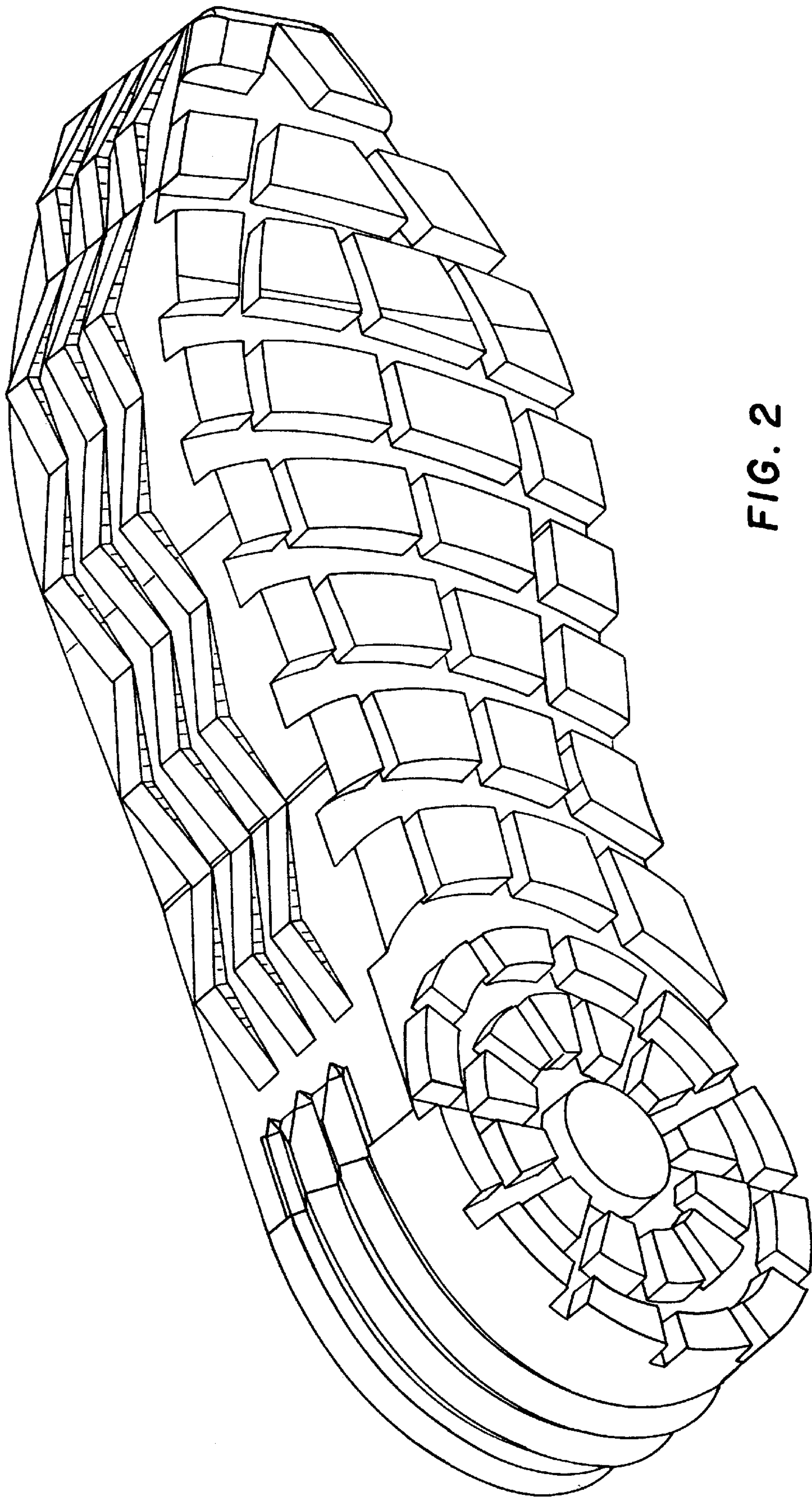


FIG. 2