



US00D468071S

(12) **United States Design Patent**
Le et al.

(10) **Patent No.:** **US D468,071 S**

(45) **Date of Patent:** **** Dec. 31, 2002**

(54) **PORTABLE ICE CHEST**

(75) Inventors: **Johannes Le**, Huntington Beach, CA (US); **Charles W. Jarvis**, Irvine, CA (US); **Larry D. Maddux**, Westminster, CA (US)

(73) Assignee: **Cambro Manufacturing Company**, Huntington Beach, CA (US)

(**) Term: **14 Years**

(21) Appl. No.: **29/157,747**

(22) Filed: **Mar. 25, 2002**

(51) **LOC (7) Cl.** **12-02**

(52) **U.S. Cl.** **D34/19; D7/605; D34/5**

(58) **Field of Search** **D7/605-608; D34/1, D34/5, 19; 62/457.1, 457.7, 371, 372; 220/592.2, 592.24, 592.27, 915.1, 915.2; 280/43.1, 43.24, 47.34, 47, 26, 651, 652, 645, 655**

(56) **References Cited**

U.S. PATENT DOCUMENTS

4,749,101 A * 6/1988 Durkan 280/47.17

D303,307 S * 9/1989 Juergens D34/19

D369,695 S * 5/1996 Imotani D7/605 X

D383,279 S * 9/1997 Brescia et al. D34/5

D411,784 S * 7/1999 Houry D7/605

D424,883 S * 5/2000 Jarvis et al. D7/605

* cited by examiner

Primary Examiner—Terry A. Wallace

(74) *Attorney, Agent, or Firm*—George F. Bethel

(57) **CLAIM**

We claim the ornamental design for a portable ice chest, as shown and described.

DESCRIPTION

FIG. 1 shows a perspective view of the portable ice chest.

FIG. 2 shows a top plan view of the portable ice chest.

FIG. 3 shows a side elevation view of the portable ice chest looking from the opposite side of that shown in FIG. 1.

FIG. 4 shows a rear elevation view of the portable ice chest; and,

FIG. 5 shows a bottom plan view of the portable ice chest.

1 Claim, 2 Drawing Sheets

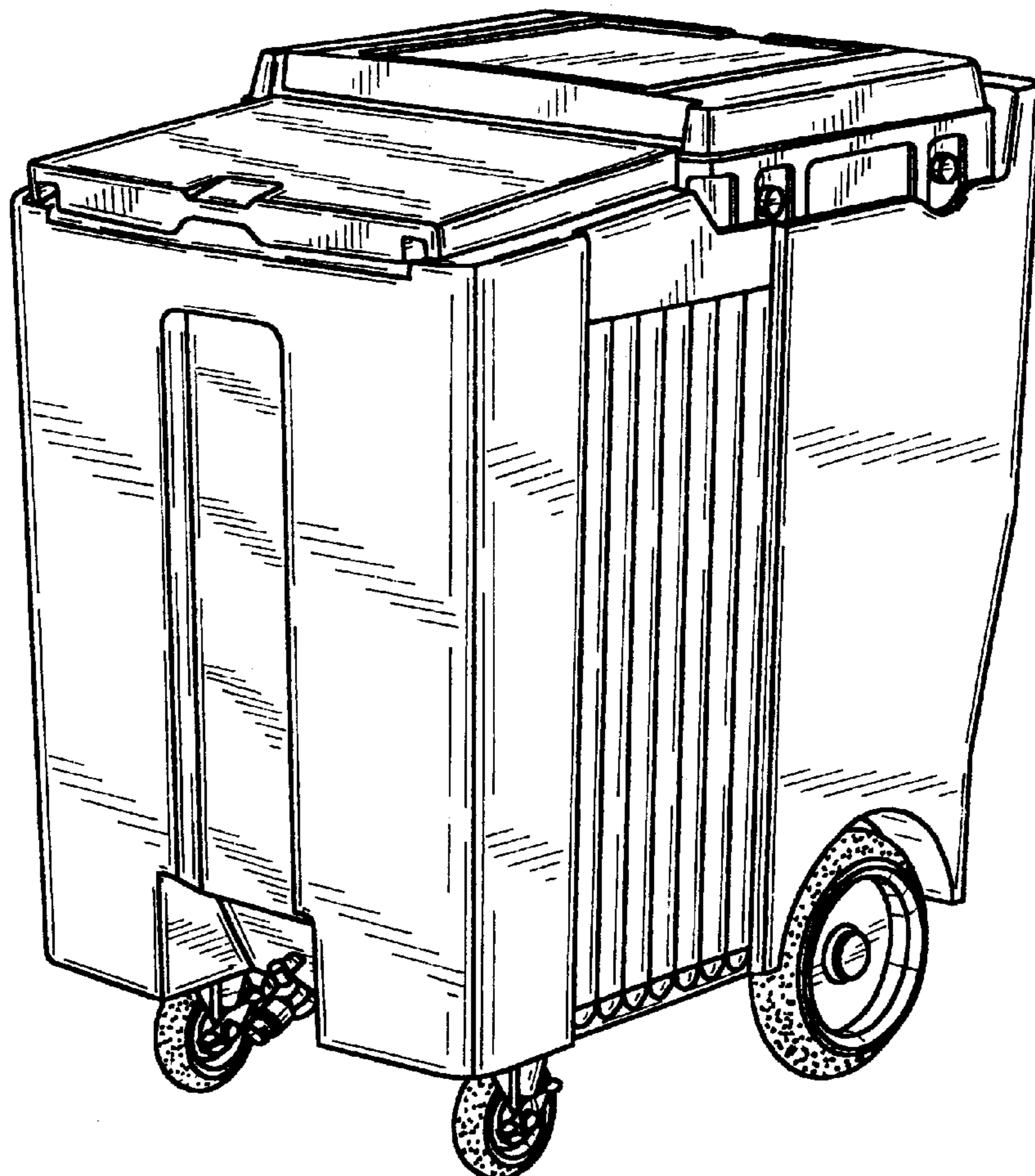


Fig. 1

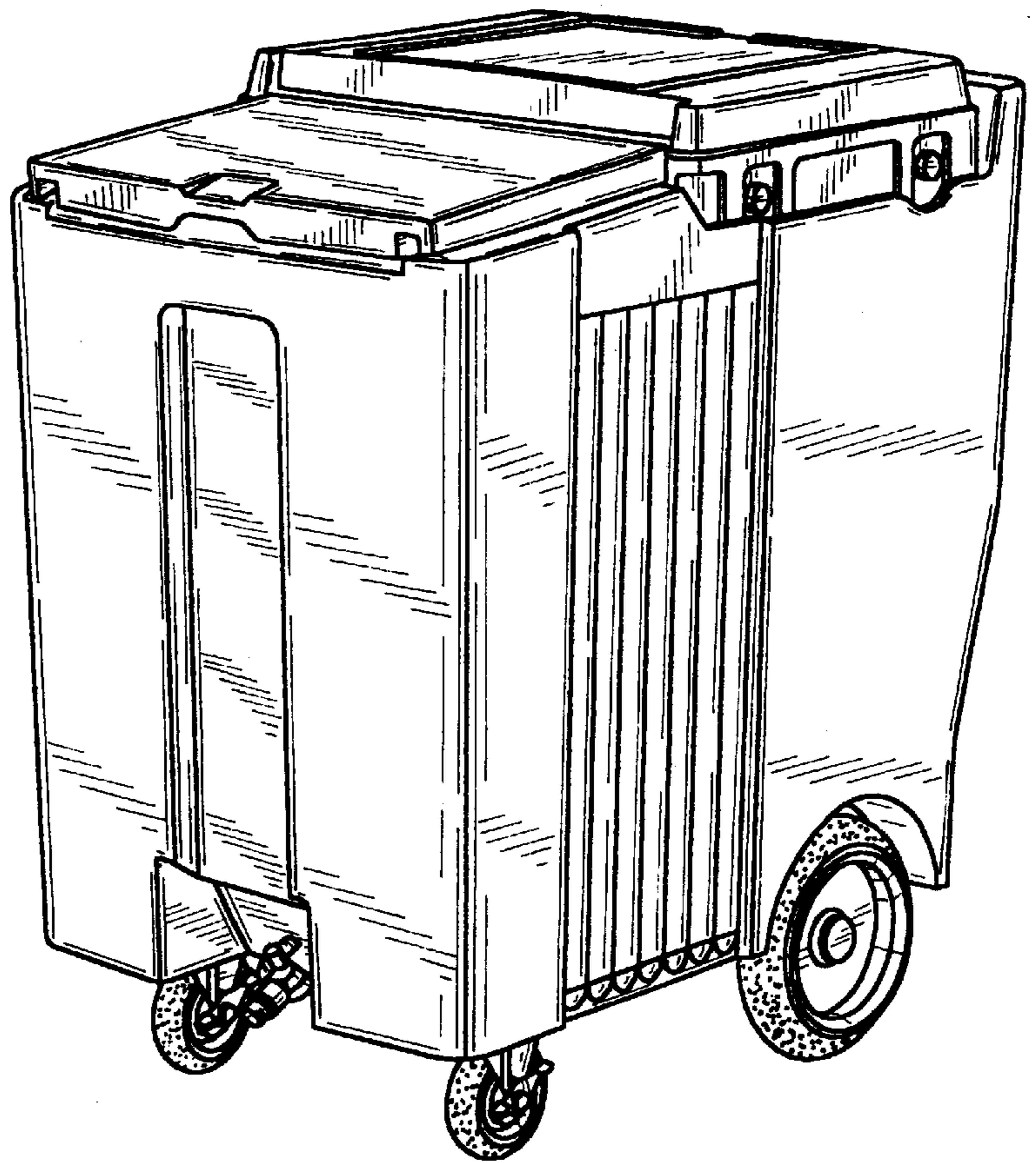


Fig. 3

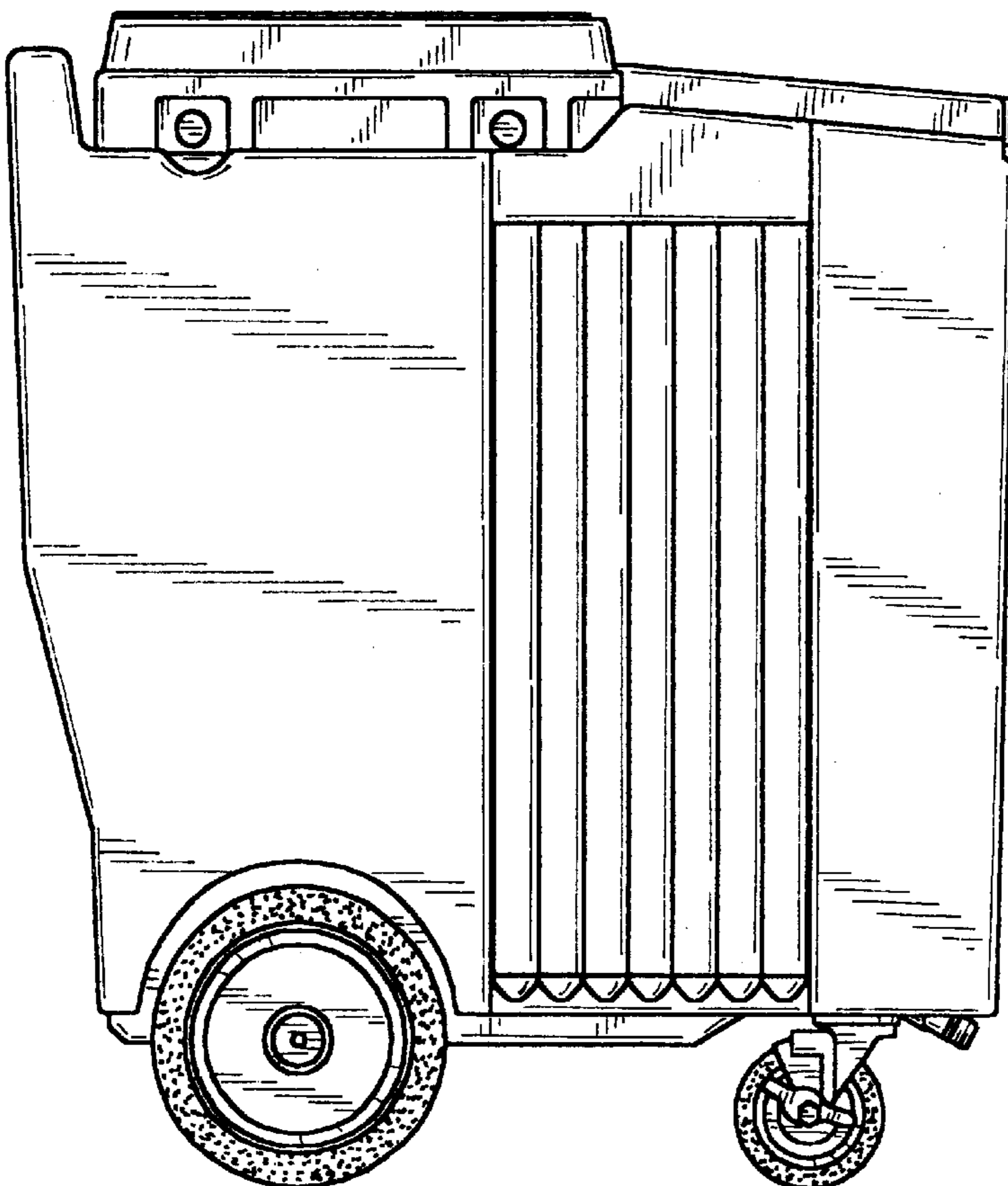


Fig. 2

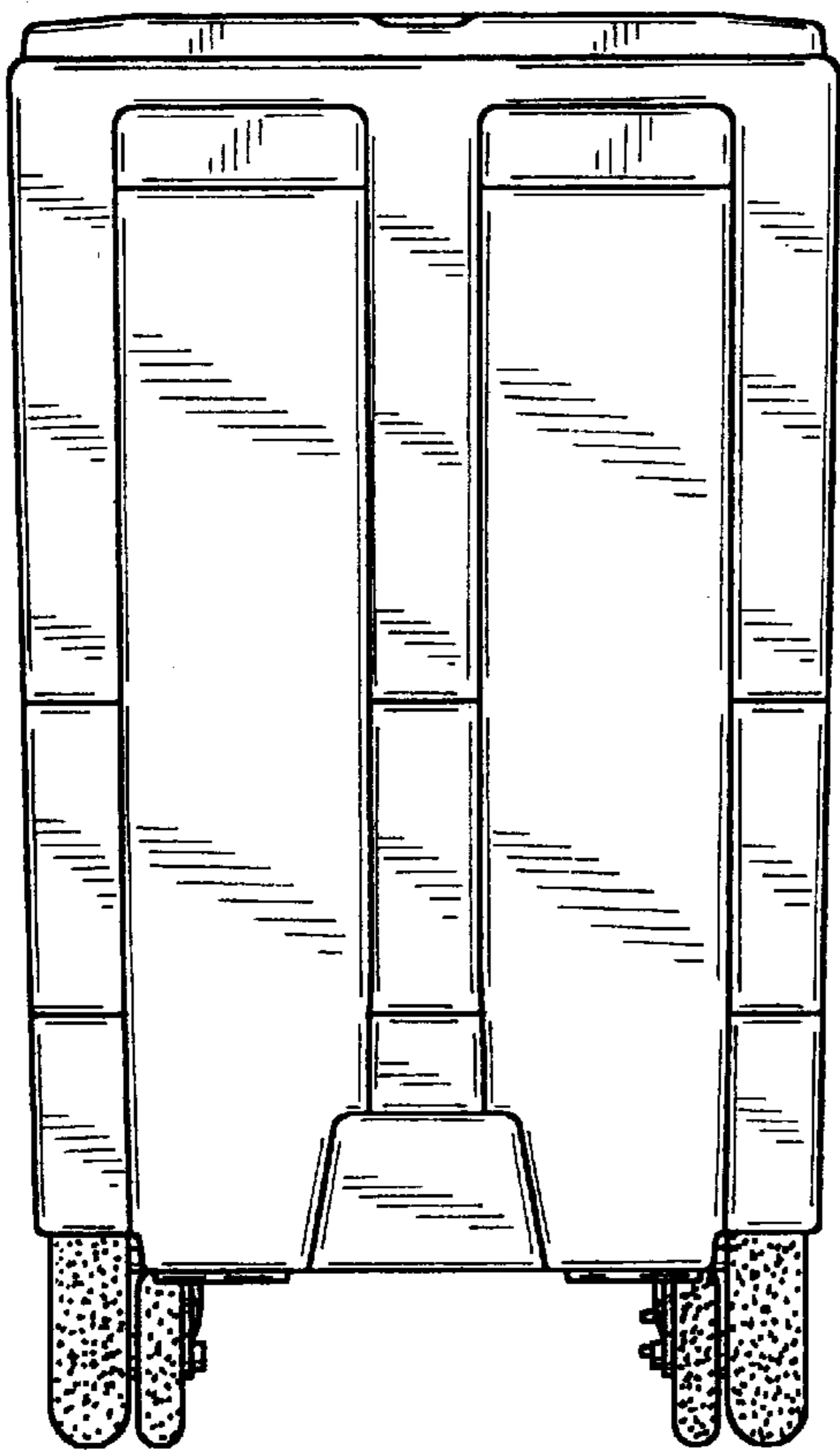
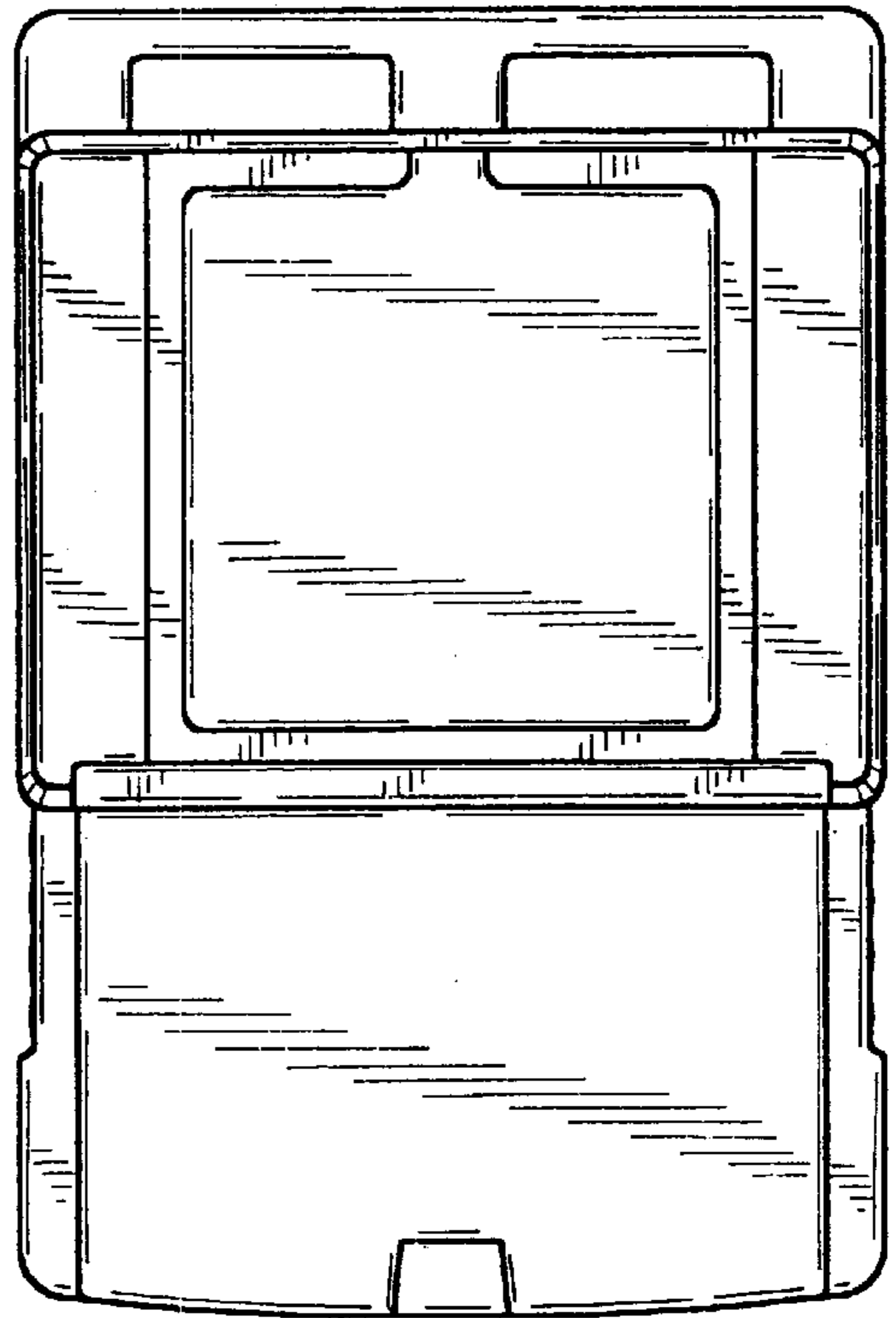


Fig. 4

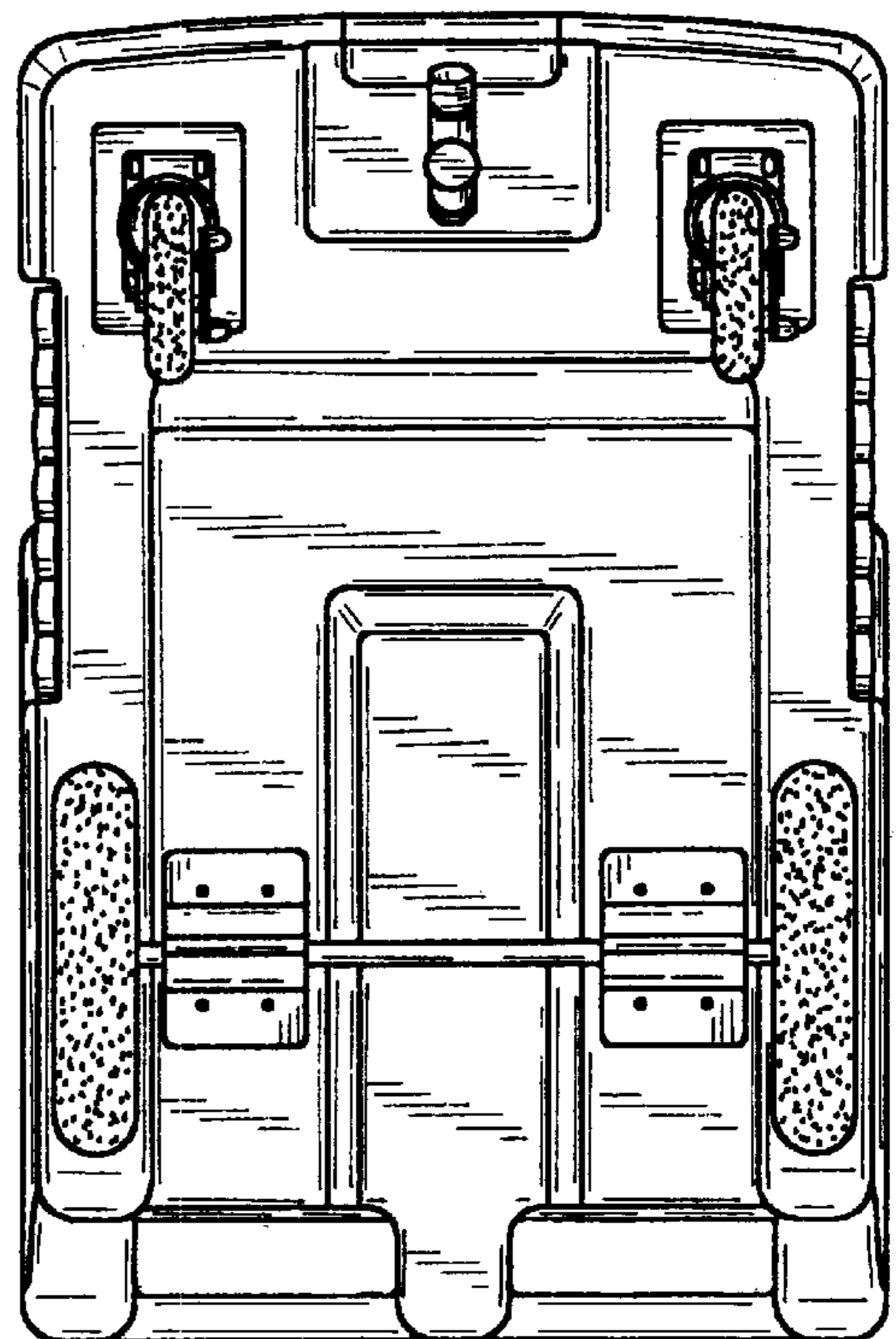


Fig. 5