



US00D468069S

(12) **United States Design Patent** (10) **Patent No.:** **US D468,069 S**
Roberts et al. (45) **Date of Patent:** **** Dec. 31, 2002**

(54) **UPRIGHT VACUUM CLEANER DIRT SEPARATOR FRONT**

(75) Inventors: **Kenneth L. Roberts**, Rockford, MI (US); **Douglas J. Medema**, Belding, MI (US)

(73) Assignee: **Bissell Homecare, Inc.**, Grand Rapids, MI (US)

(**) Term: **14 Years**

(21) Appl. No.: **29/154,754**

(22) Filed: **Jan. 28, 2002**

(51) **LOC (7) Cl.** **15-05**

(52) **U.S. Cl.** **D32/31**

(58) **Field of Search** D32/21-22, 31-34, D32/25; 15/347, 350-353, 320-322, 361, 377, 415.1-422.1, 410, 383, 329

(56) **References Cited**

U.S. PATENT DOCUMENTS

D305,269 S	*	12/1989	Dyson	D32/22
D309,203 S		7/1990	Goodrich		
D343,707 S	*	1/1994	Dyson	D32/22
D412,379 S	*	7/1999	Stephens et al.	D32/31
D418,265 S		12/1999	Farone et al.		
6,003,196 A		12/1999	Wright et al.		
6,026,540 A		2/2000	Wright et al.		
D429,854 S		8/2000	Hohulin et al.		

D434,884 S		12/2000	Hohulin et al.		
D435,945 S	*	1/2001	Ikeno et al.	D32/22
D439,379 S	*	3/2001	Gammack et al.	D32/22
D442,344 S	*	5/2001	Alford et al.	D32/31
D444,275 S	*	6/2001	Mehaffey	D32/30
D452,758 S		1/2002	Yokoyama et al.		
D455,530 S	*	4/2002	Fujii	D32/22
D457,695 S	*	5/2002	Stephens	D32/31
D462,489 S	*	9/2002	Roberts et al.	D32/31

* cited by examiner

Primary Examiner—Ruth McInroy

(74) *Attorney, Agent, or Firm*—McGarry Bair LLP

(57) **CLAIM**

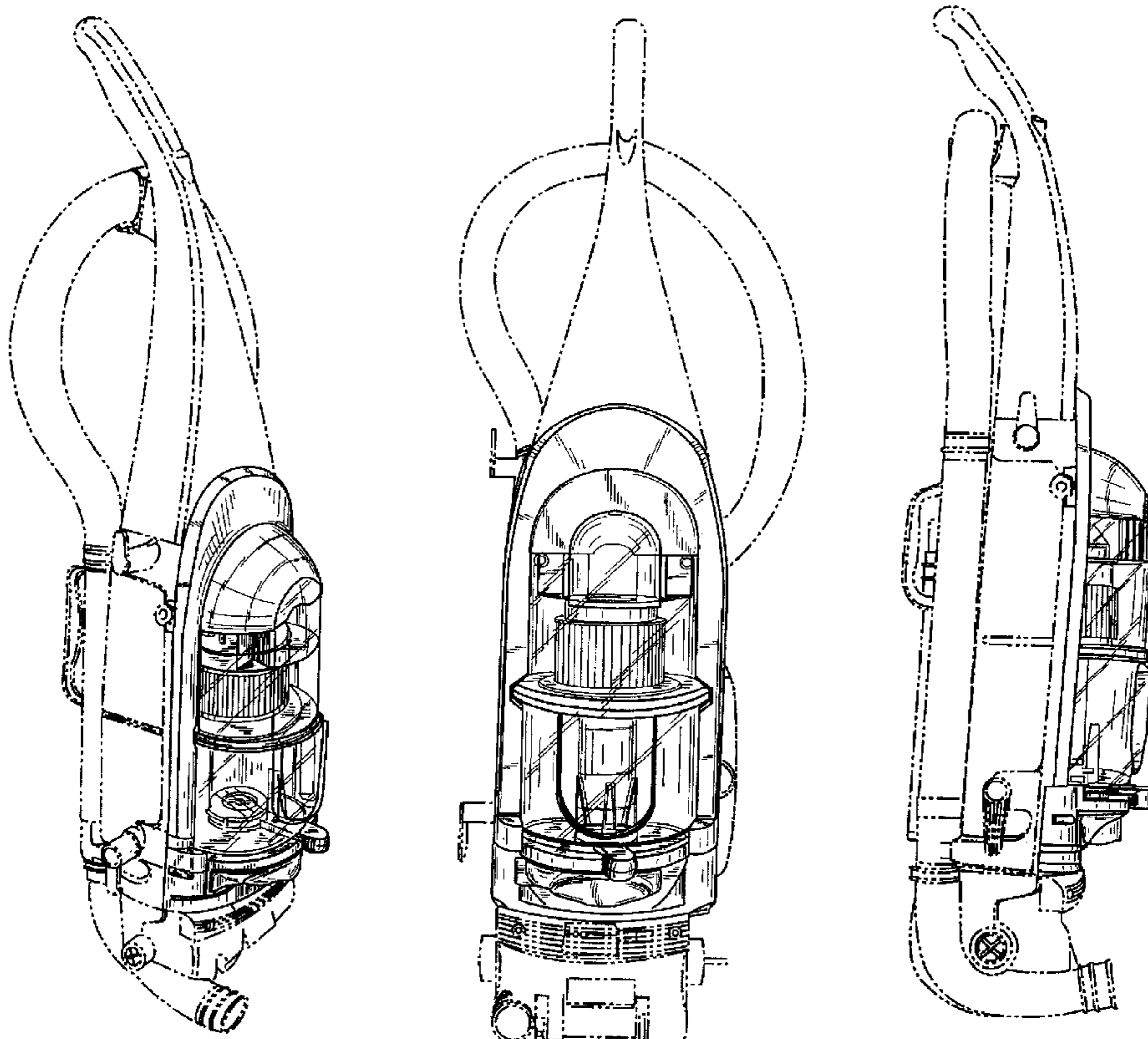
The ornamental design for an upright vacuum cleaner dirt separator front, as shown and described.

DESCRIPTION

FIG. 1 is a perspective view of a design for an upright vacuum cleaner dirt separator front showing our new design; FIG. 2 is a front view thereof; FIG. 3 is a rear view thereof; FIG. 4 is a left side view thereof; FIG. 5 is a right side view thereof; FIG. 6 is a top view thereof; and, FIG. 7 is a bottom view thereof.

The portion of the drawings in phantom lines are shown for purposes of illustration and form no part of our new design.

1 Claim, 6 Drawing Sheets



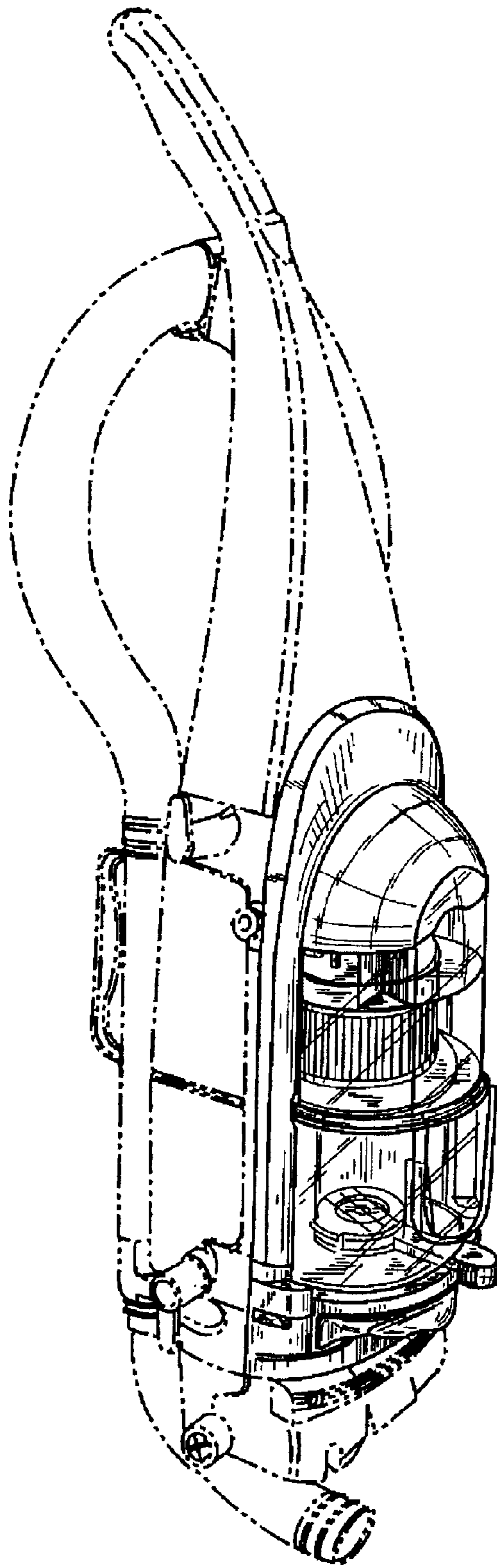


Fig. 1

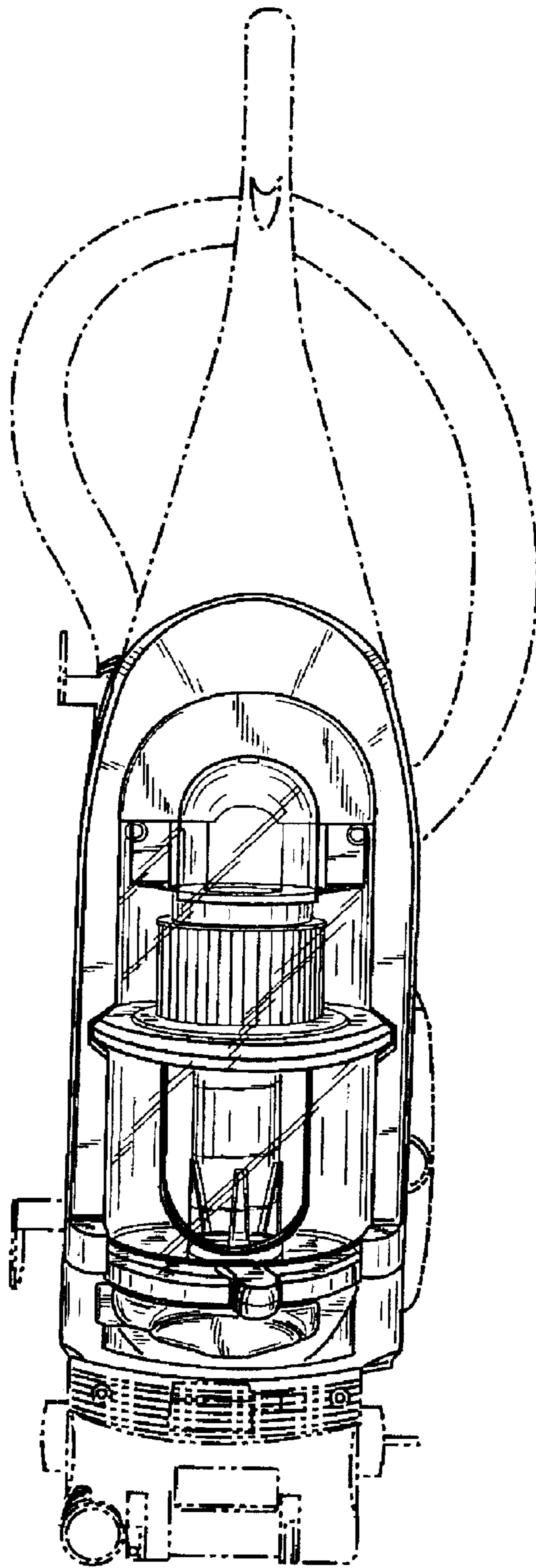


Fig. 2

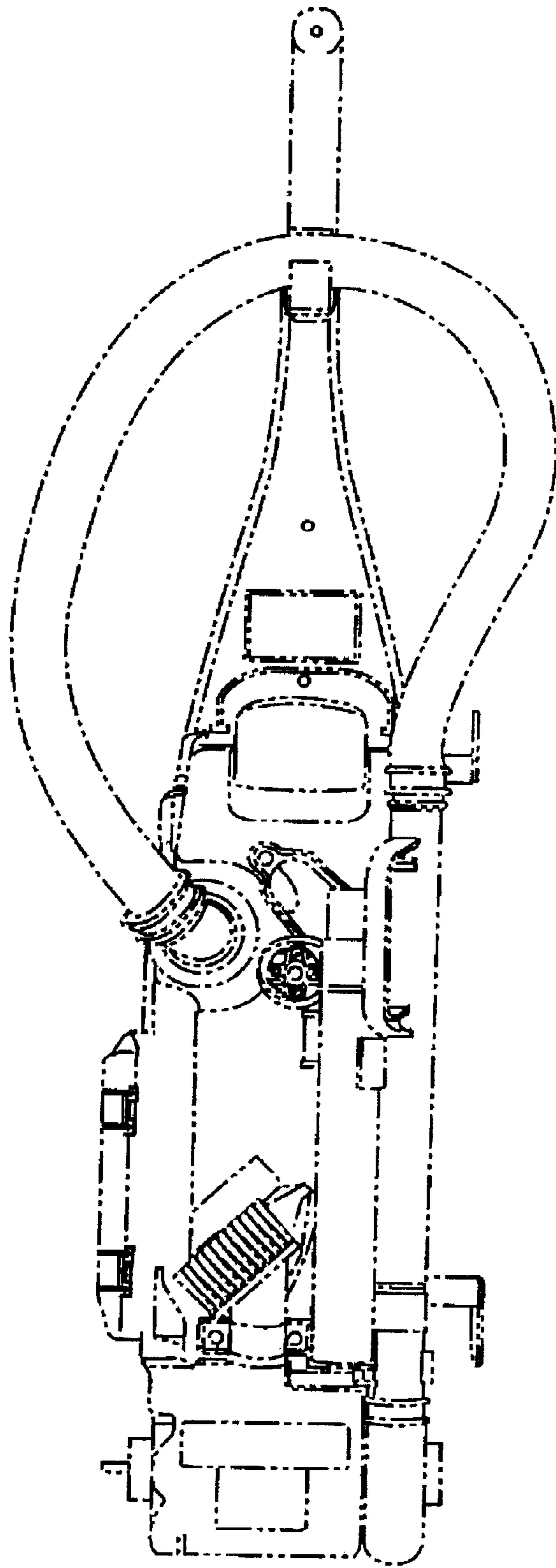


Fig. 3

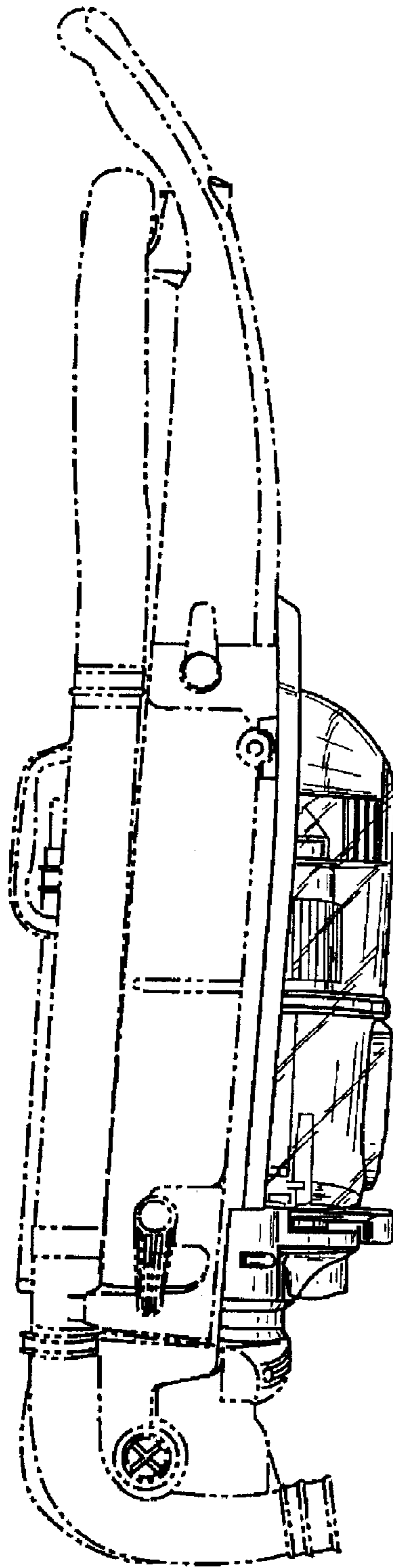


Fig. 4

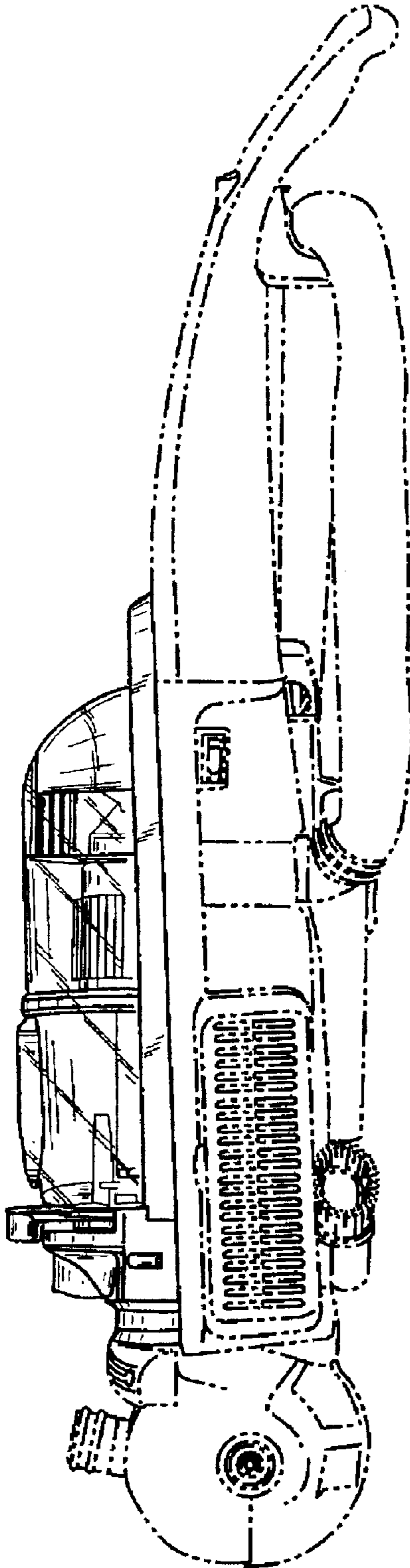


Fig. 5

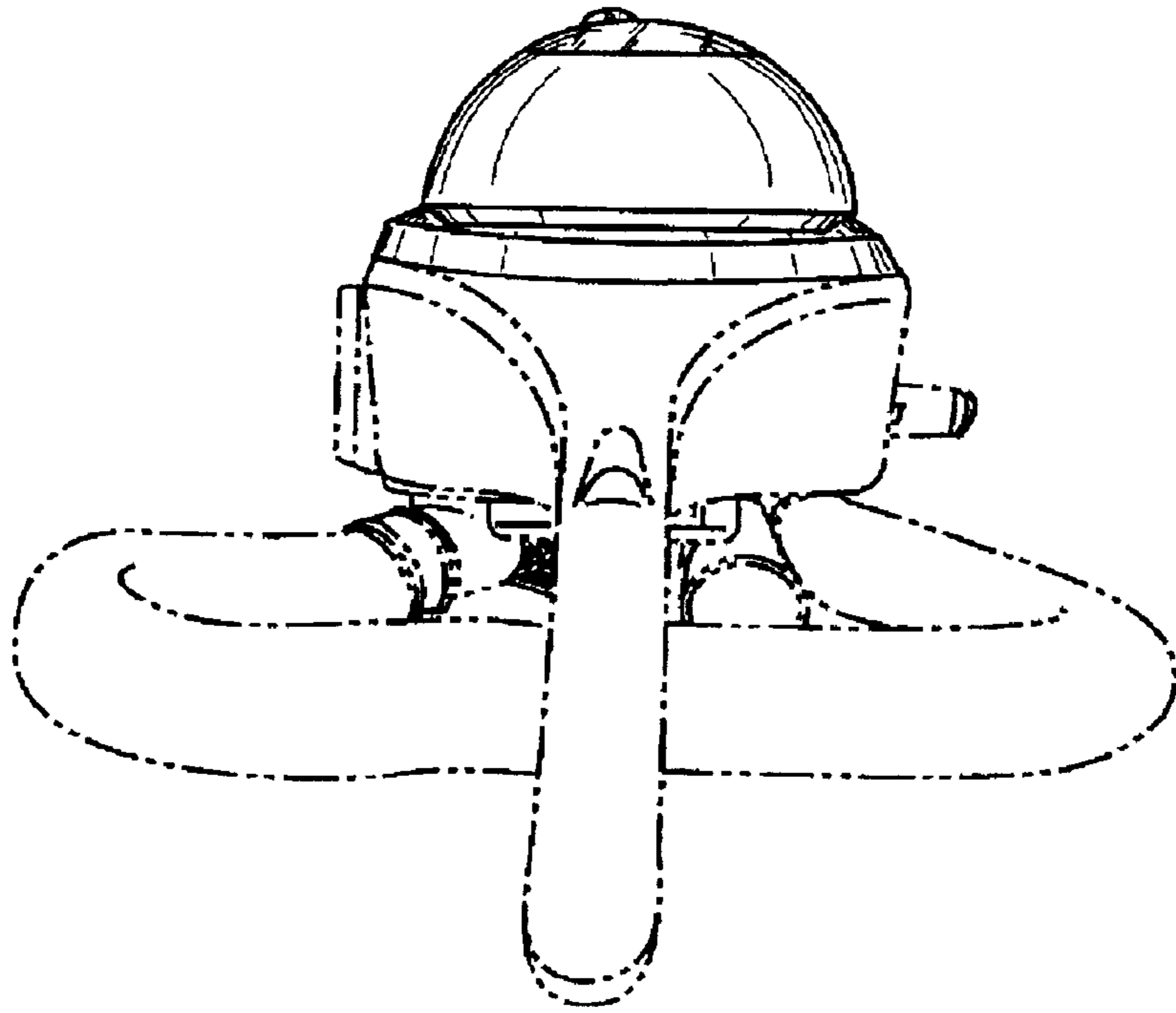


Fig. 6

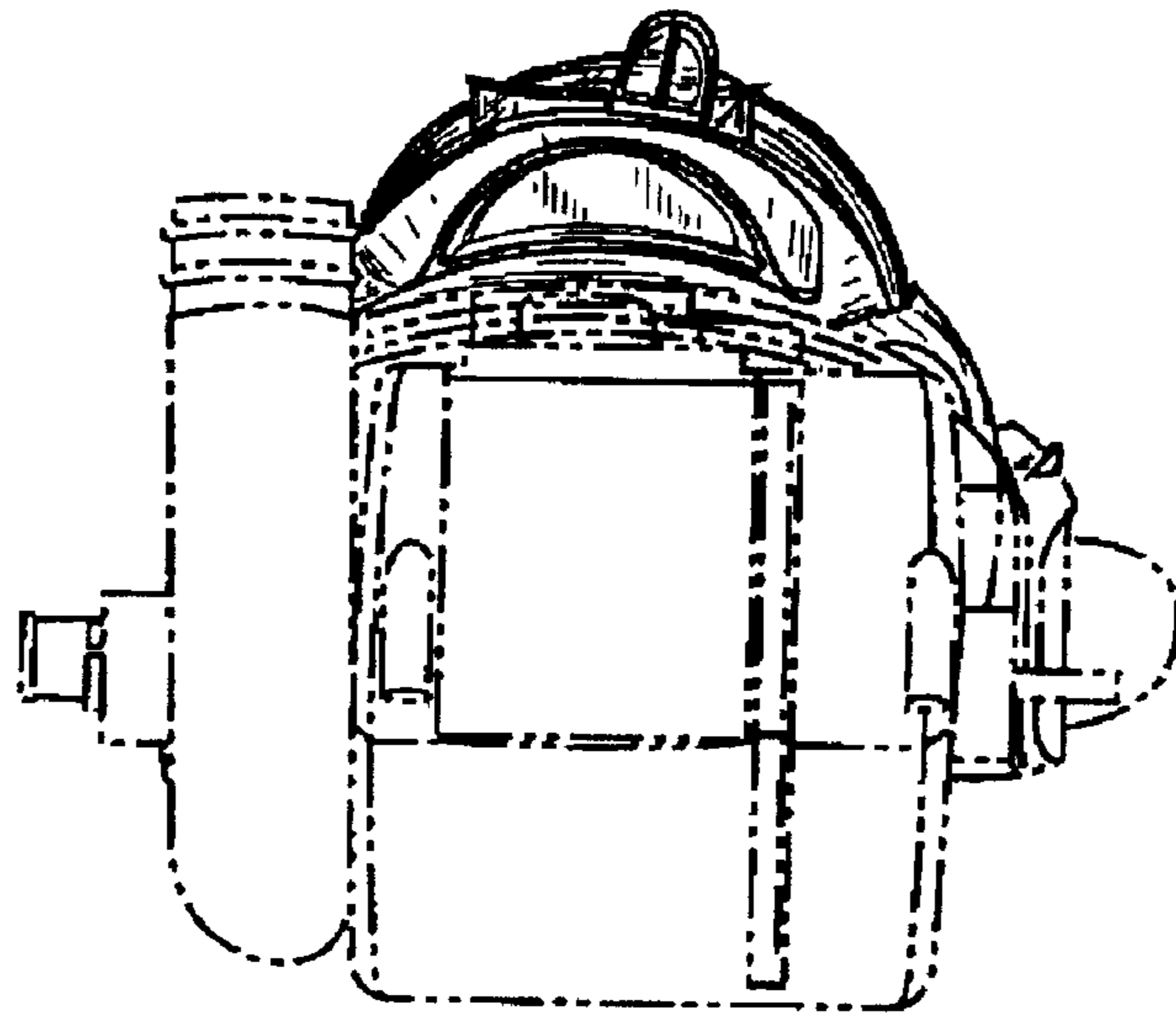


Fig. 7