



US00D468068S

(12) **United States Design Patent**
Mok

(10) **Patent No.:** **US D468,068 S**

(45) **Date of Patent:** **** Dec. 31, 2002**

(54) **HAND VACCUM**

(75) Inventor: **Sana Sze Ki Mok**, Hong Kong (CN)

(73) Assignee: **One World Technologies Limited**,
Hamilton (BR)

(**) Term: **14 Years**

(21) Appl. No.: **29/151,878**

(22) Filed: **Dec. 11, 2001**

(51) **LOC (7) Cl.** **15-05**

(52) **U.S. Cl.** **D32/18**

(58) **Field of Search** D32/17-18, 25,
D32/31; 15/344, 329, 402; D4/102, 127,
128

(56) **References Cited**

U.S. PATENT DOCUMENTS

- D150,177 S * 7/1948 Vose D32/17
- D315,816 S * 3/1991 Ferrari et al. D32/18
- D379,691 S * 6/1997 Moine et al. D32/18

- D443,960 S * 6/2001 Shimko et al. D32/18
- D445,972 S * 7/2001 Doria D32/17
- D459,560 S * 6/2002 Lau D32/18

* cited by examiner

Primary Examiner—Ruth McInroy

(74) *Attorney, Agent, or Firm*—John B. Hardaway, III;
Nexsen Pruet Jacobs & Pollard, LLC

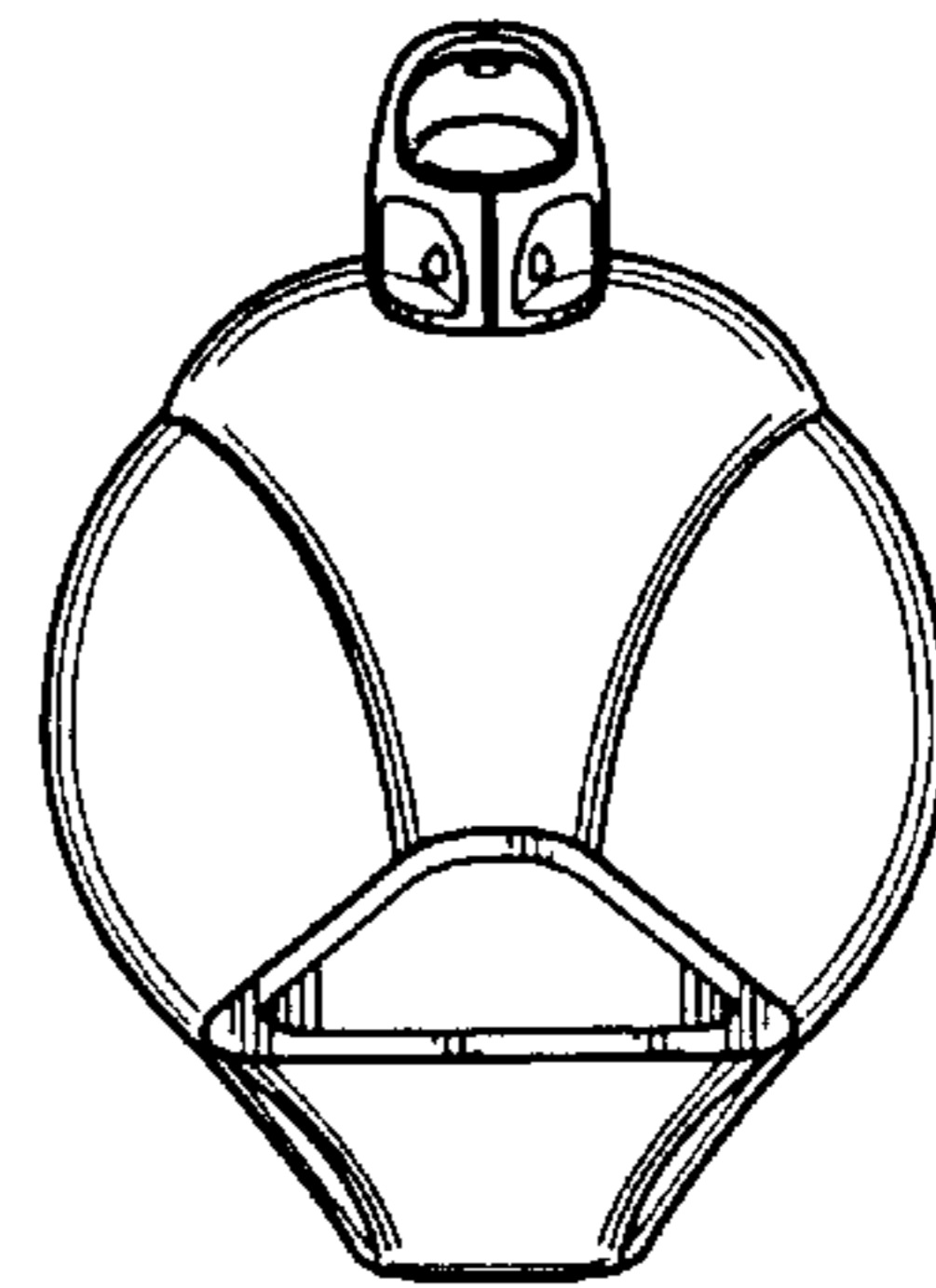
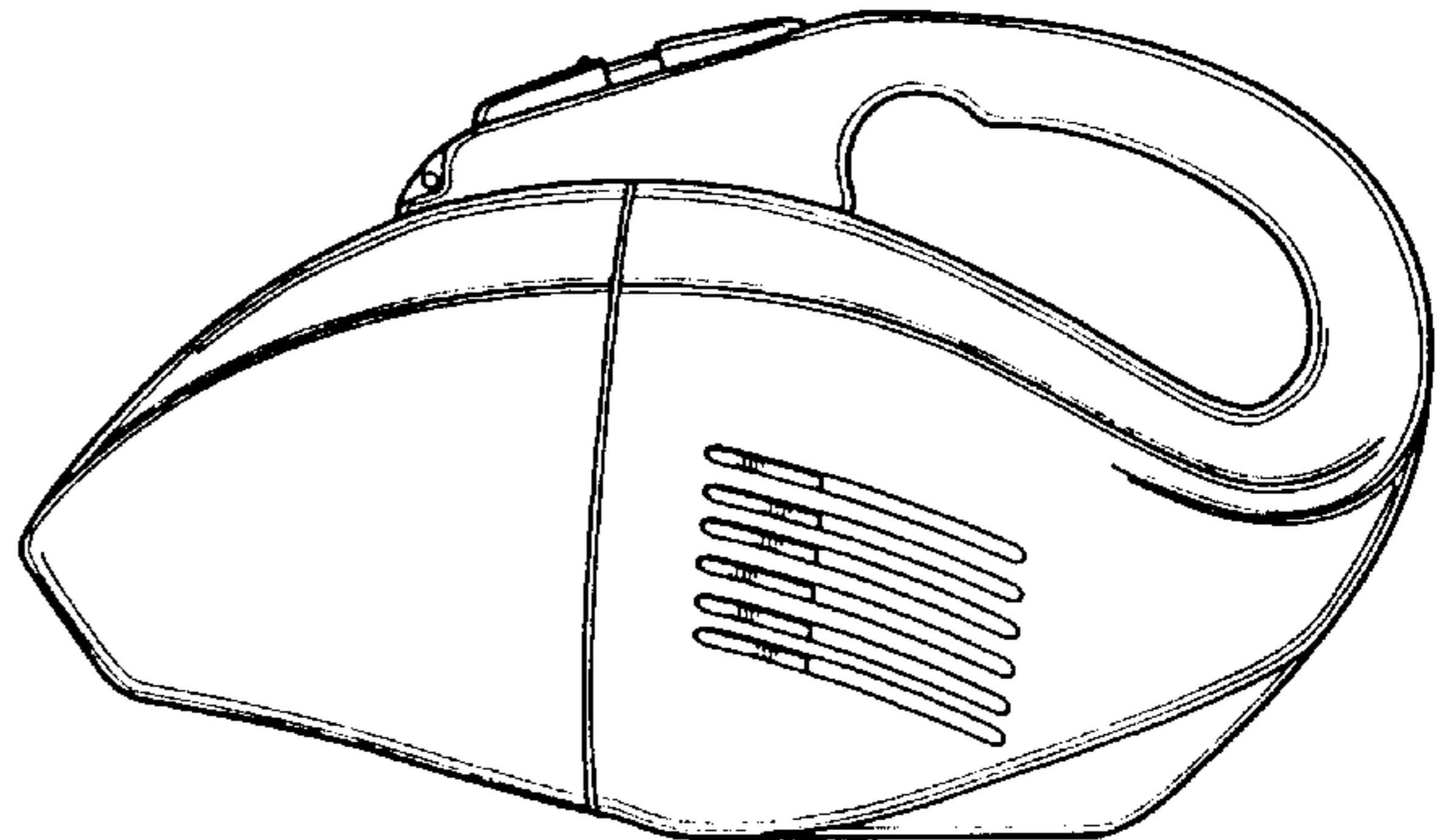
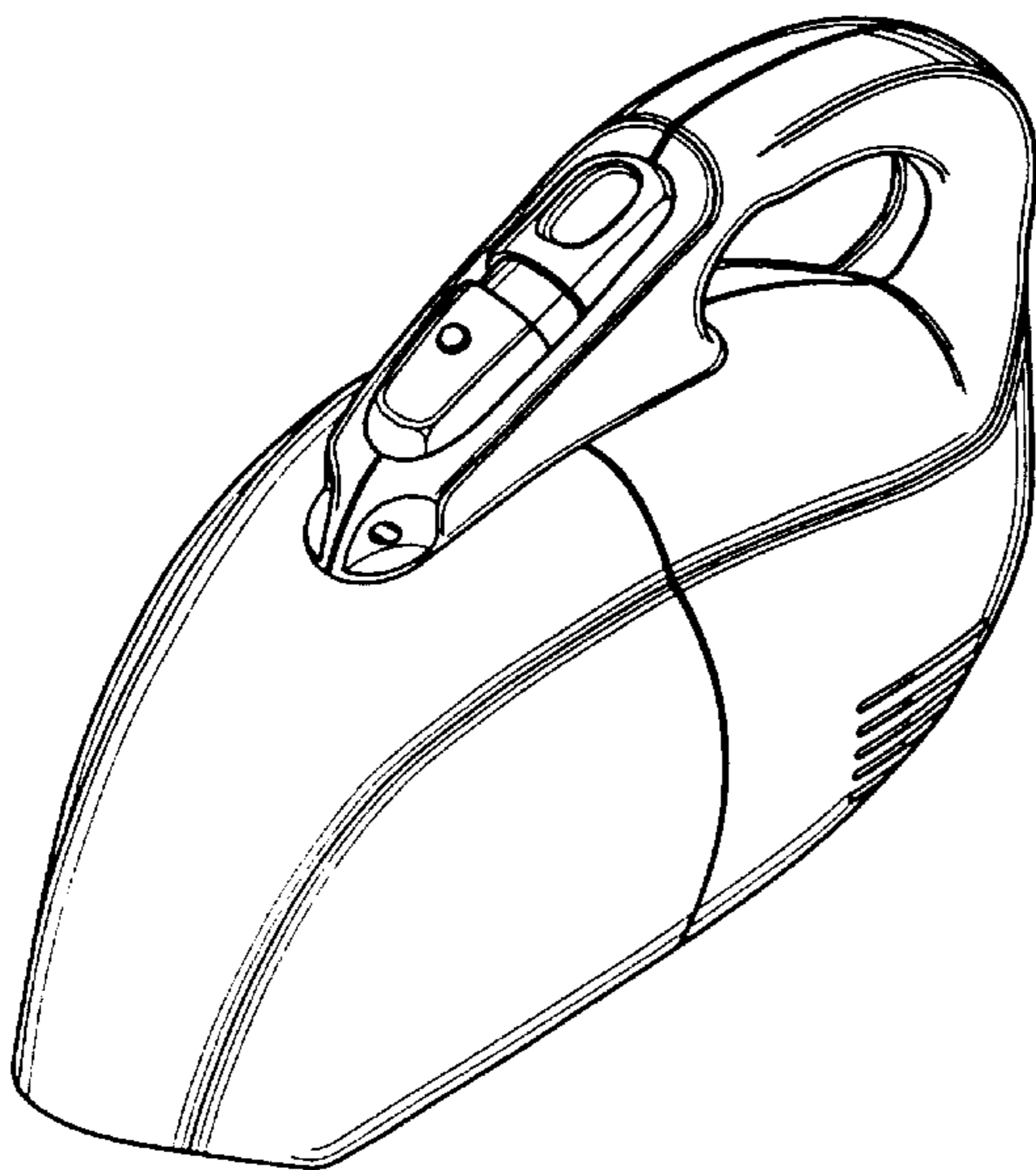
(57) **CLAIM**

The ornamental design for a hand vaccum, as shown and described.

DESCRIPTION

FIG. 1 is a perspective view of a hand vacuum showing my new design;
 FIG. 2 is a right side view thereof;
 FIG. 3 is a left side view thereof;
 FIG. 4 is a top view thereof;
 FIG. 5 is a bottom view thereof;
 FIG. 6 is a front view thereof; and,
 FIG. 7 is a rear view thereof.

1 Claim, 3 Drawing Sheets



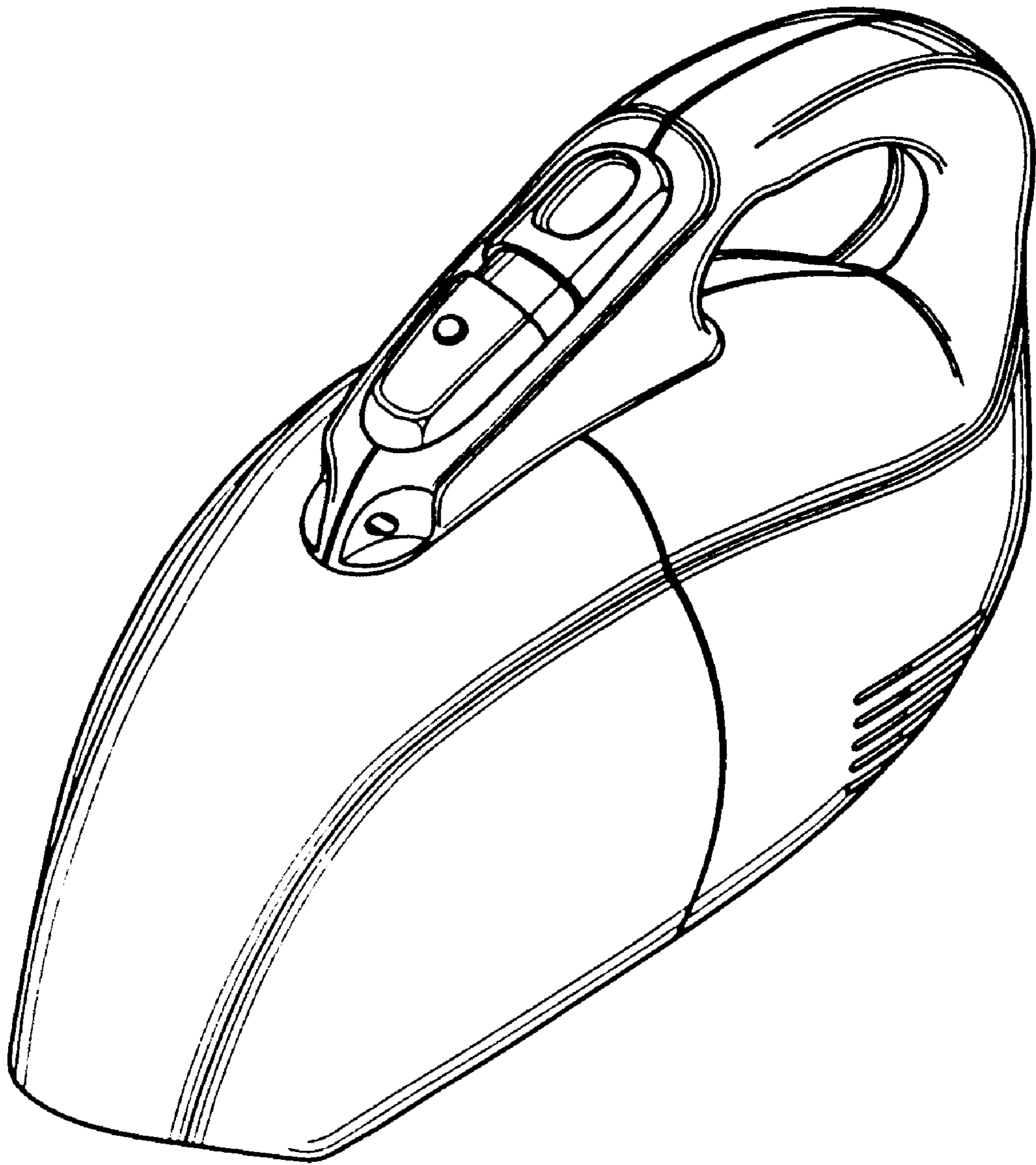
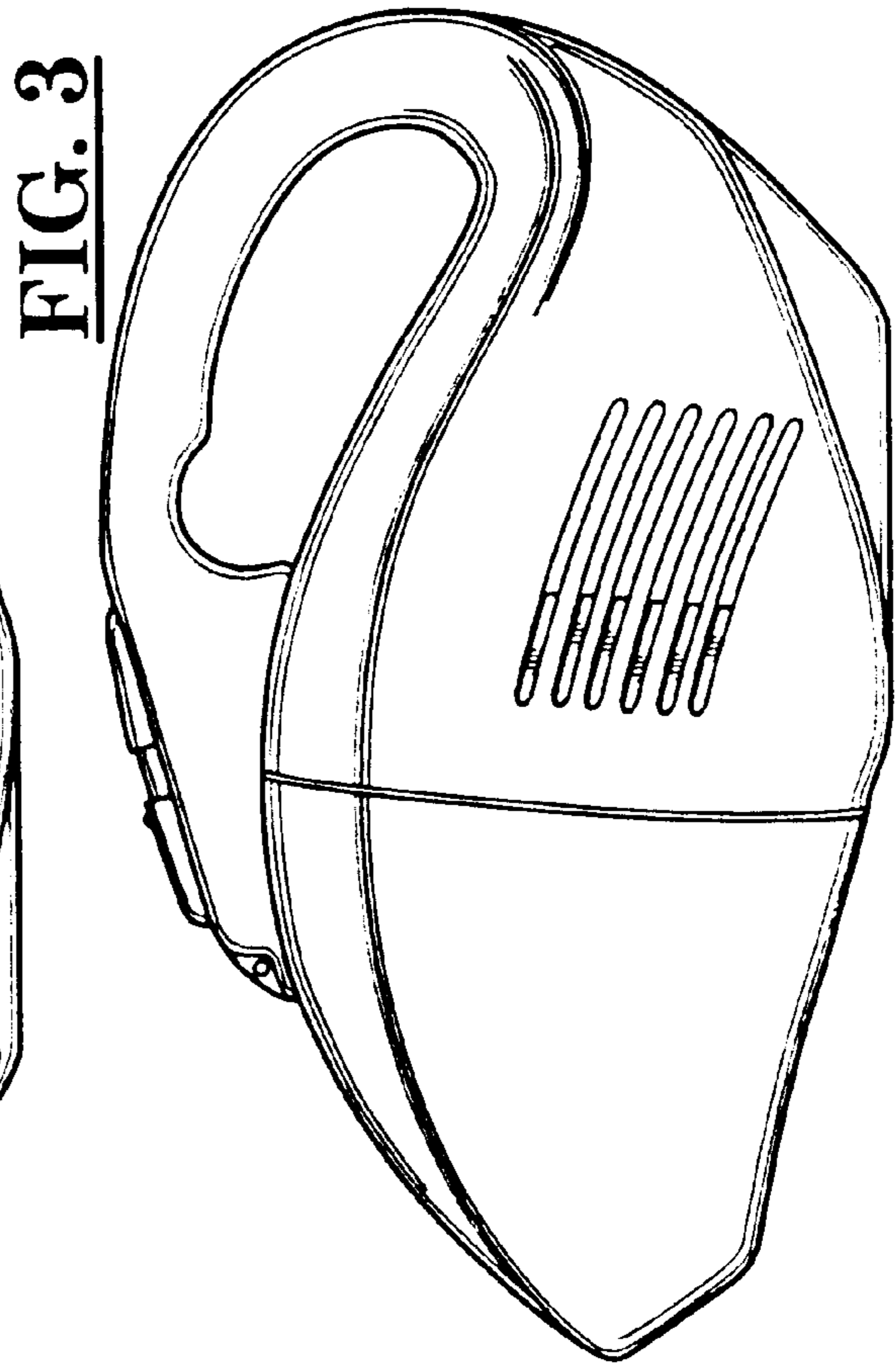
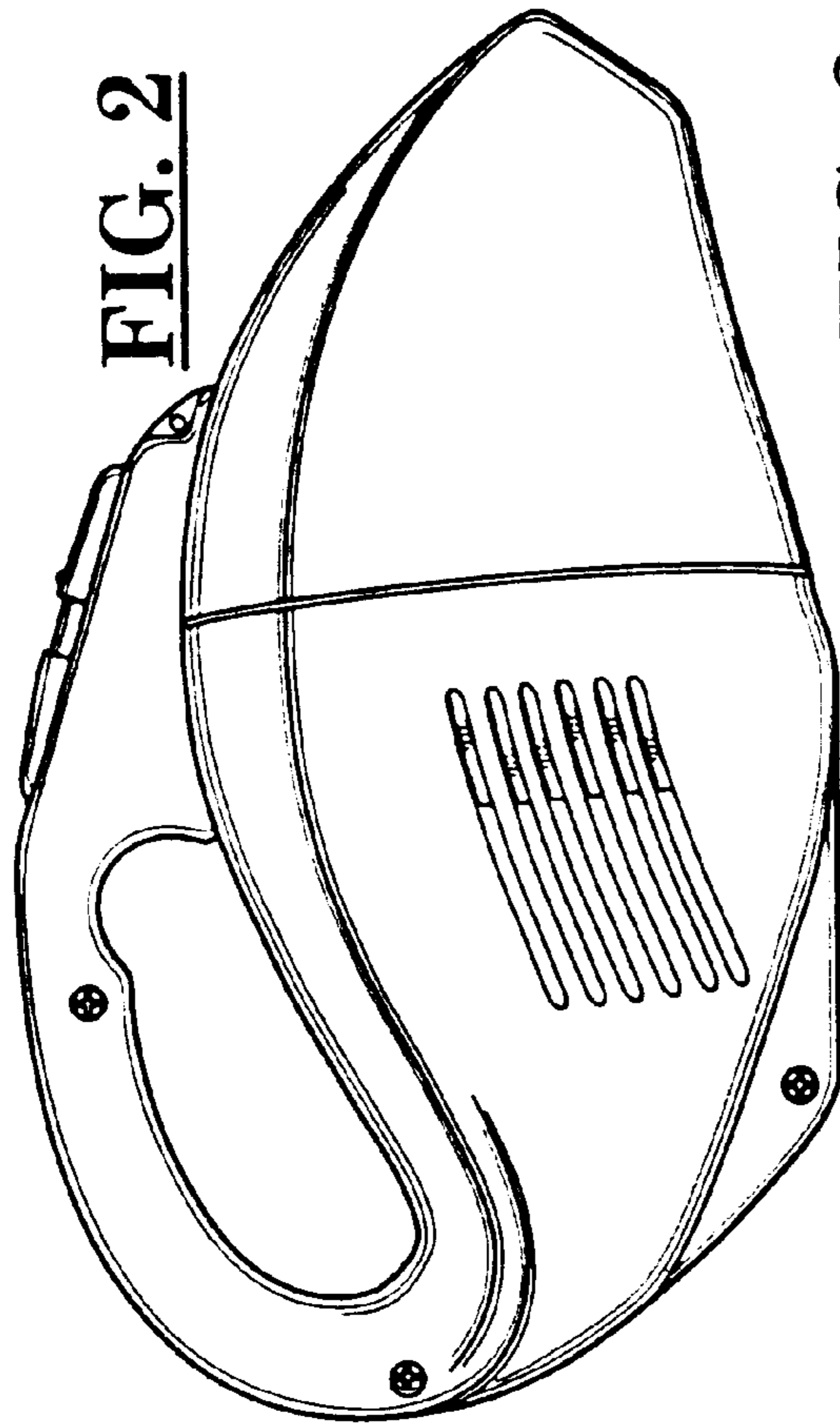
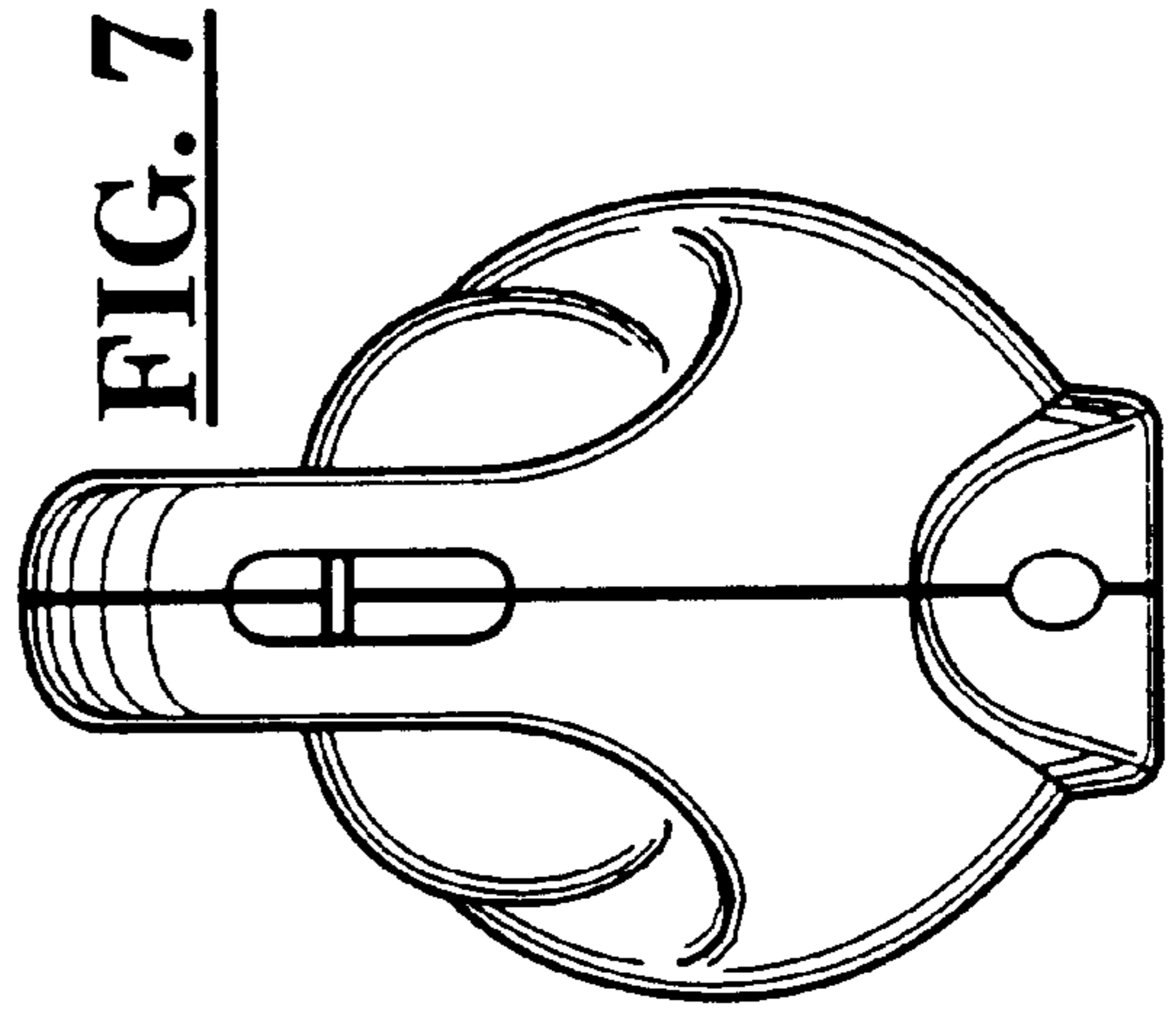
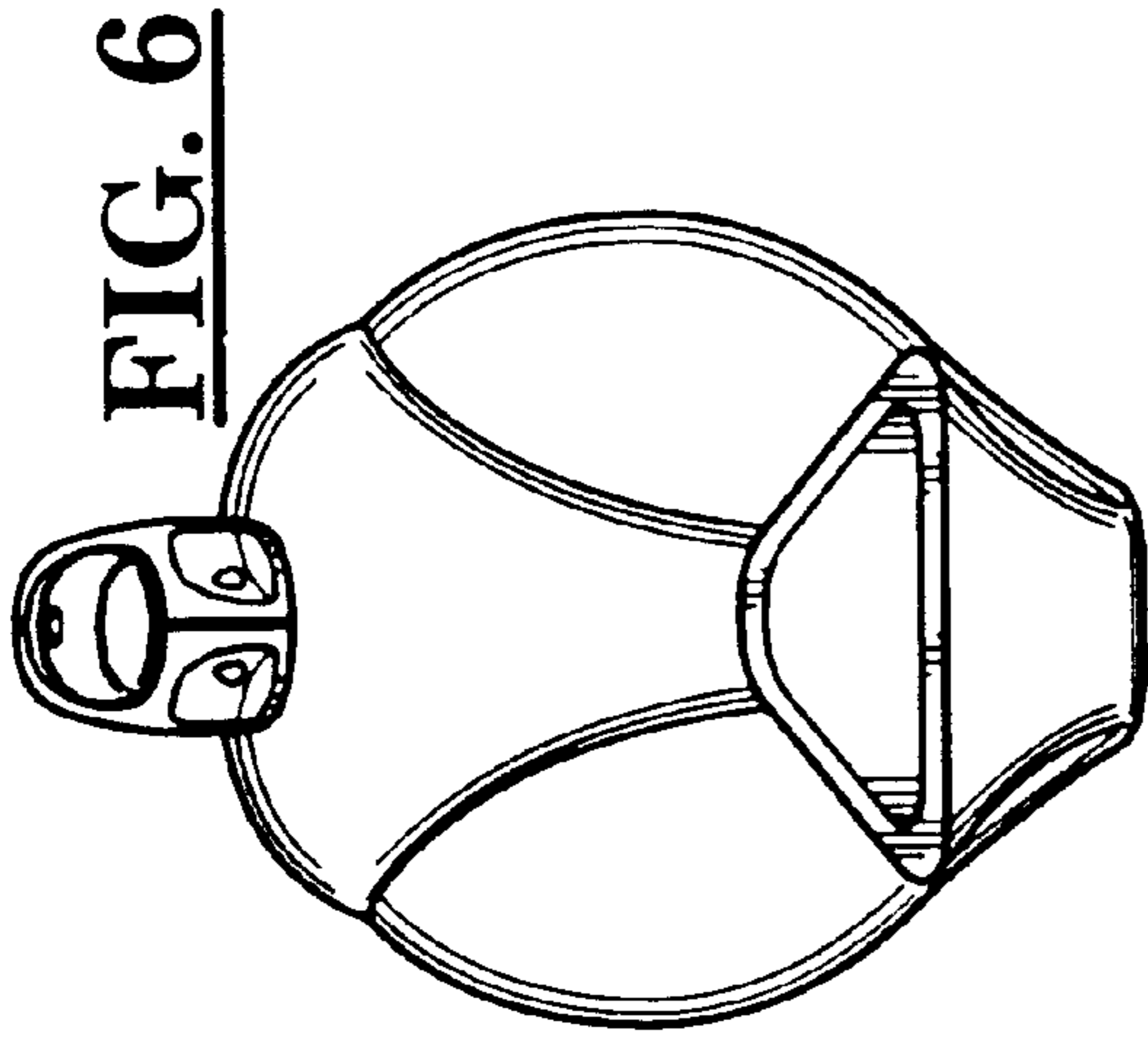


FIG. 1



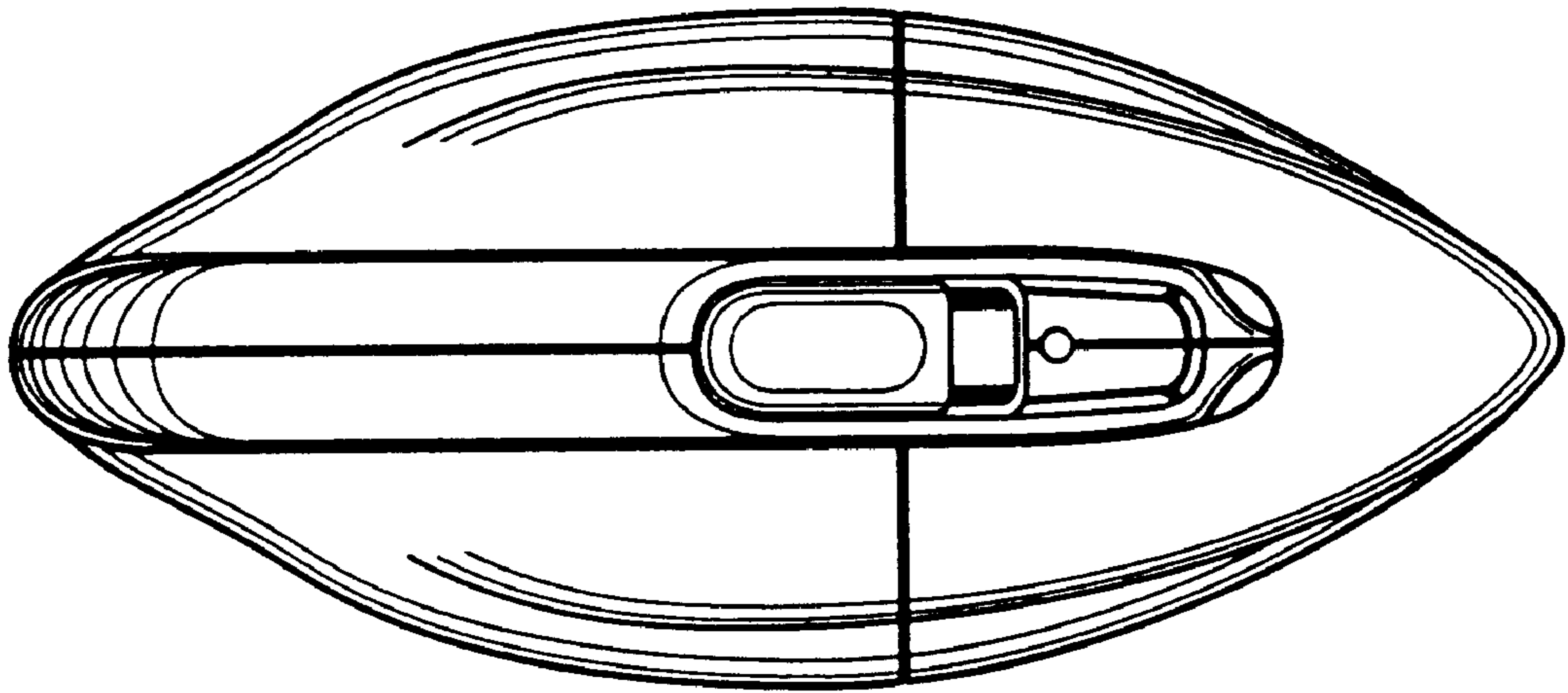


FIG. 4

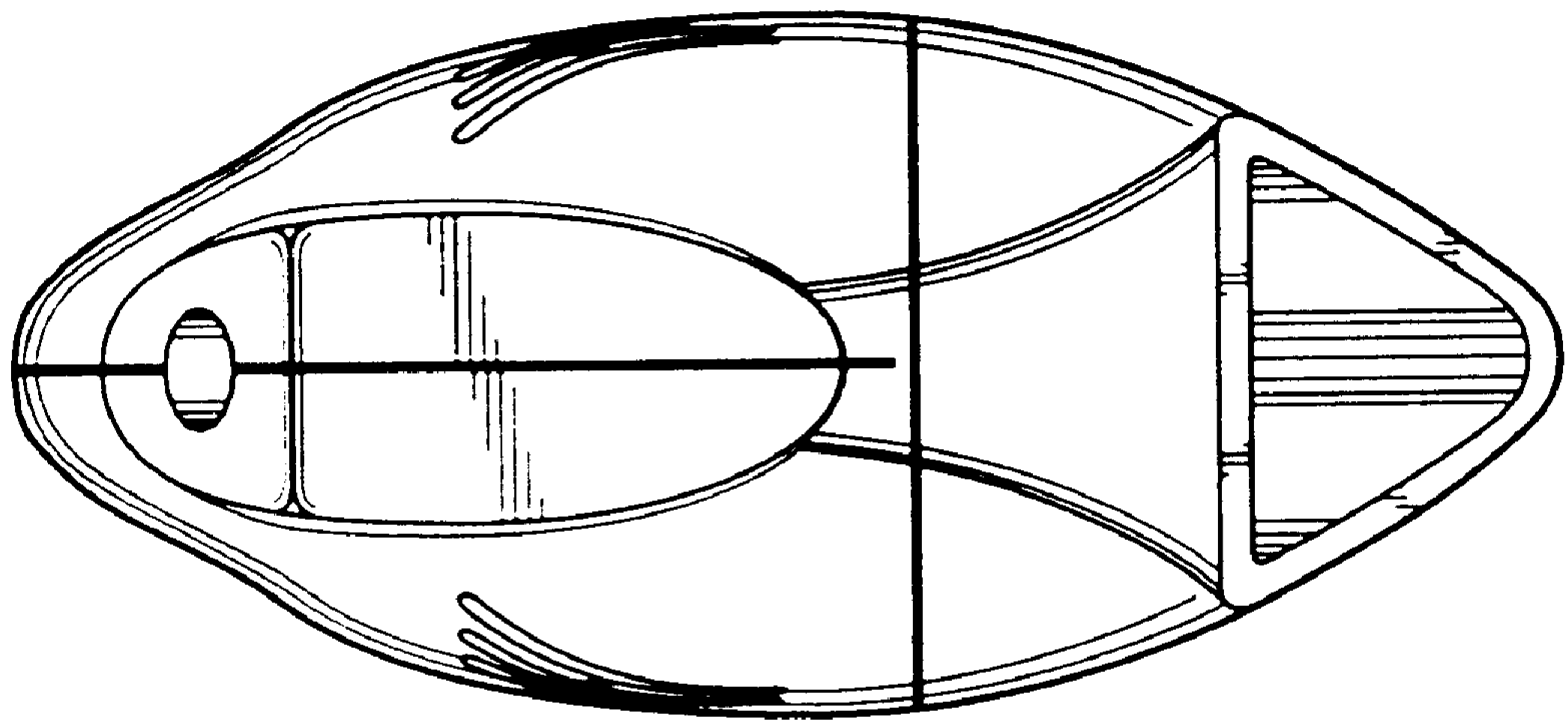


FIG. 5