



US00D468063S

(12) **United States Design Patent**
Nilsson

(10) **Patent No.:** **US D468,063 S**

(45) **Date of Patent:** **** Dec. 31, 2002**

(54) **EAR CAP FOR HEARING PROTECTION**

(75) Inventor: **Sigvard Nilsson, Värnamo (SE)**

(73) Assignee: **Peltor AB (SE)**

(**) Term: **14 Years**

(21) Appl. No.: **29/154,737**

(22) Filed: **Jan. 28, 2002**

Related U.S. Application Data

(62) Division of application No. 29/146,515, filed on Aug. 10, 2001.

(30) **Foreign Application Priority Data**

Feb. 12, 2001 (SE) 01-0279
Feb. 12, 2001 (SE) 01-0280

(51) **LOC (7) Cl.** **29-02**

(52) **U.S. Cl.** **D29/112**

(58) **Field of Search** D29/102-112,
D29/122; 2/422-425, 9, 410-412, 414,
416, 417, 171.3, 209, 455, 174; D14/205,
206, 223; 181/129-130; 128/864, 866,
867; 381/183

(56) **References Cited**

U.S. PATENT DOCUMENTS

5,384,857 A * 1/1995 Nordin et al. 381/183

D375,584 S * 11/1996 Westerdal D29/112
D385,665 S * 10/1997 Westerdal D29/112
D409,615 S * 5/1999 Sloan D14/205
D410,238 S * 5/1999 Sloan D14/205
D413,413 S * 8/1999 Dillon et al. D29/112

* cited by examiner

Primary Examiner—Ruth McInroy

(74) *Attorney, Agent, or Firm*—Cantor Colburn LLP

(57) **CLAIM**

The ornamental design for an ear cap for hearing protection, as shown and described.

DESCRIPTION

FIG. 1 is a top plan view of the ear cap for hearing protection, showing my new design;

FIG. 2 is a bottom plan view thereof;

FIG. 3 is a side elevational view thereof taken from the right of FIG. 1;

FIG. 4 is a side elevational view thereof taken from the left of FIG. 1;

FIG. 5 is a front elevational view thereof;

FIG. 6 is a rear elevational view thereof; and,

FIG. 7 is a perspective view thereof.

1 Claim, 4 Drawing Sheets

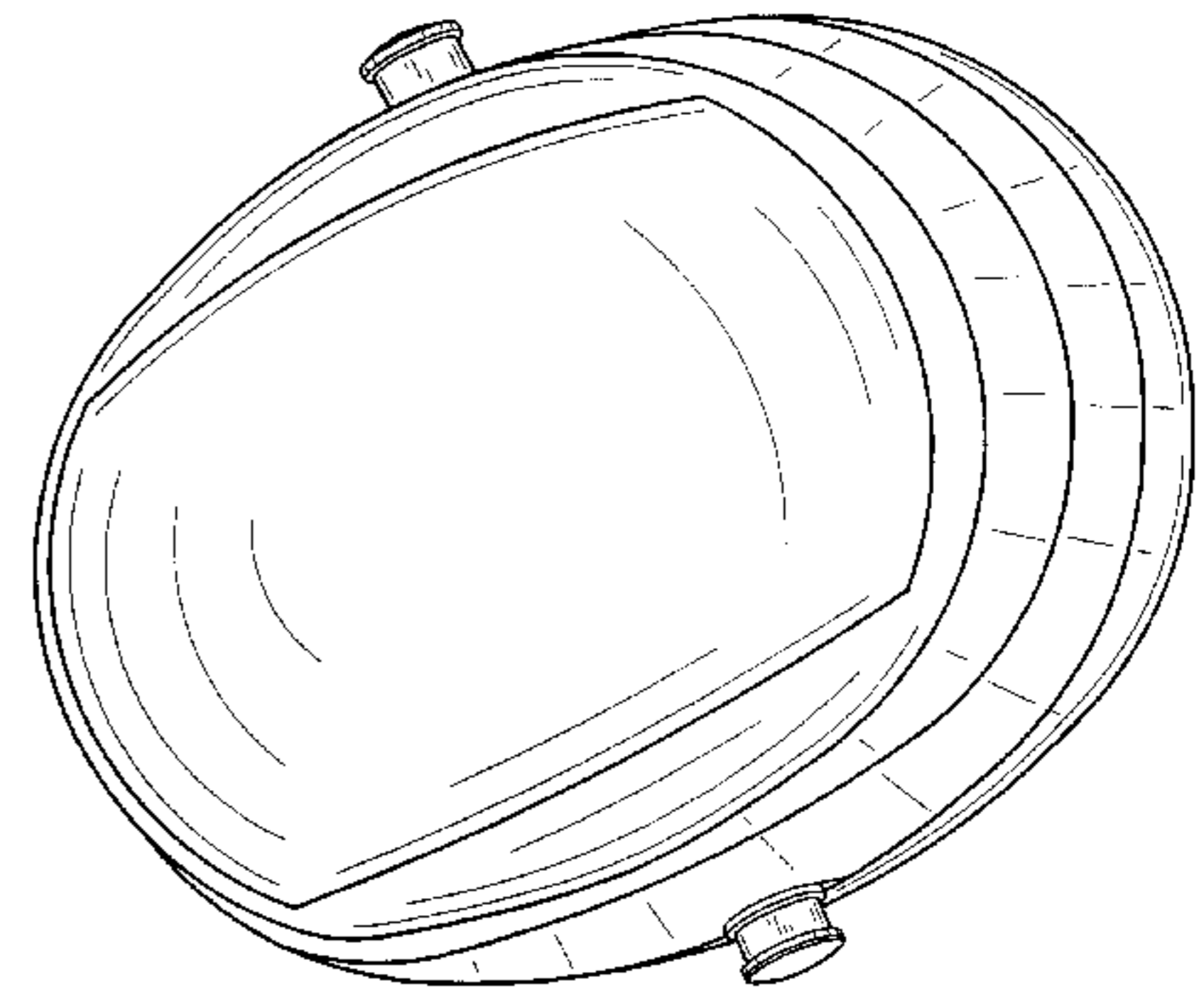
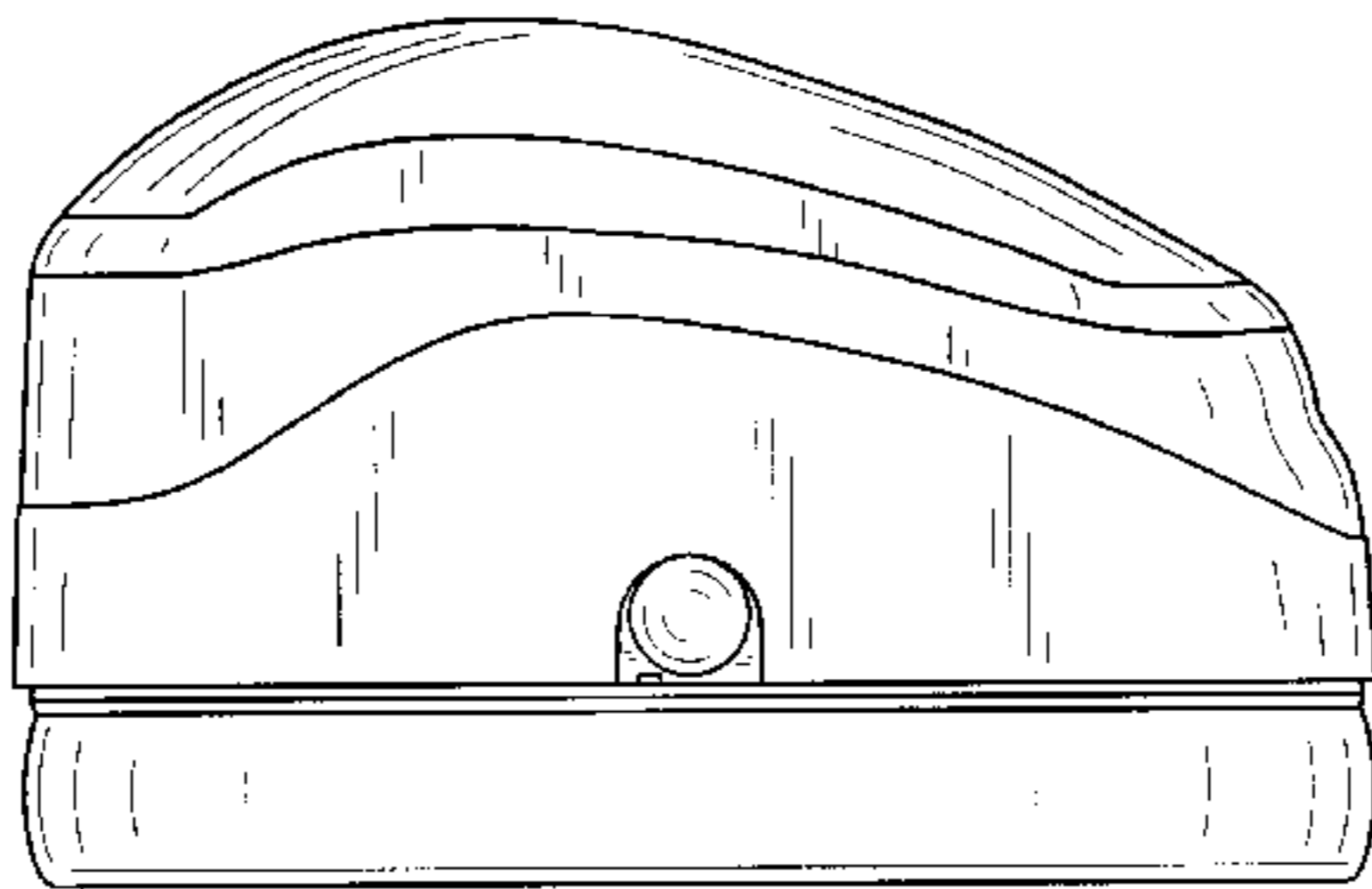
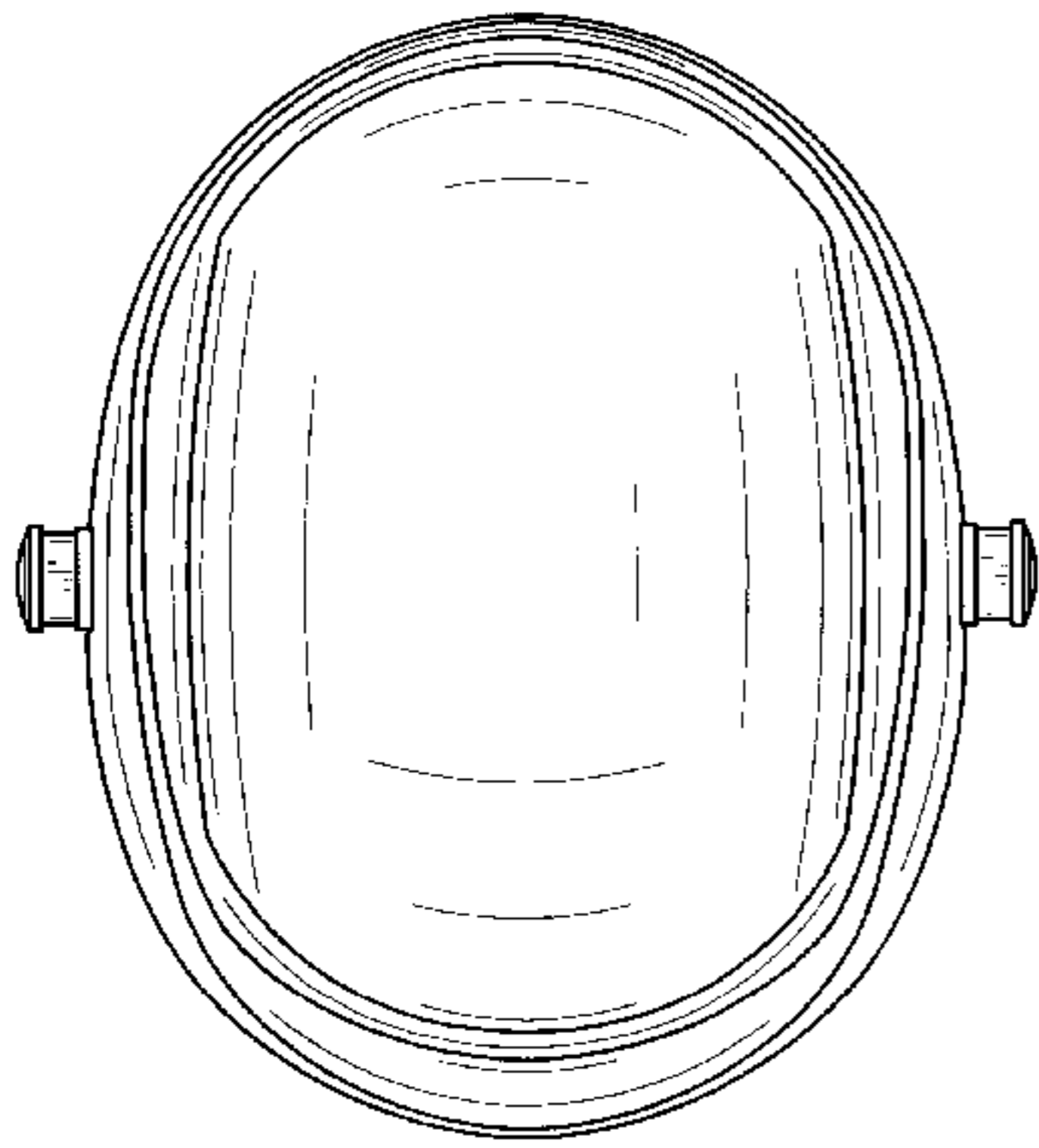


FIG. 1

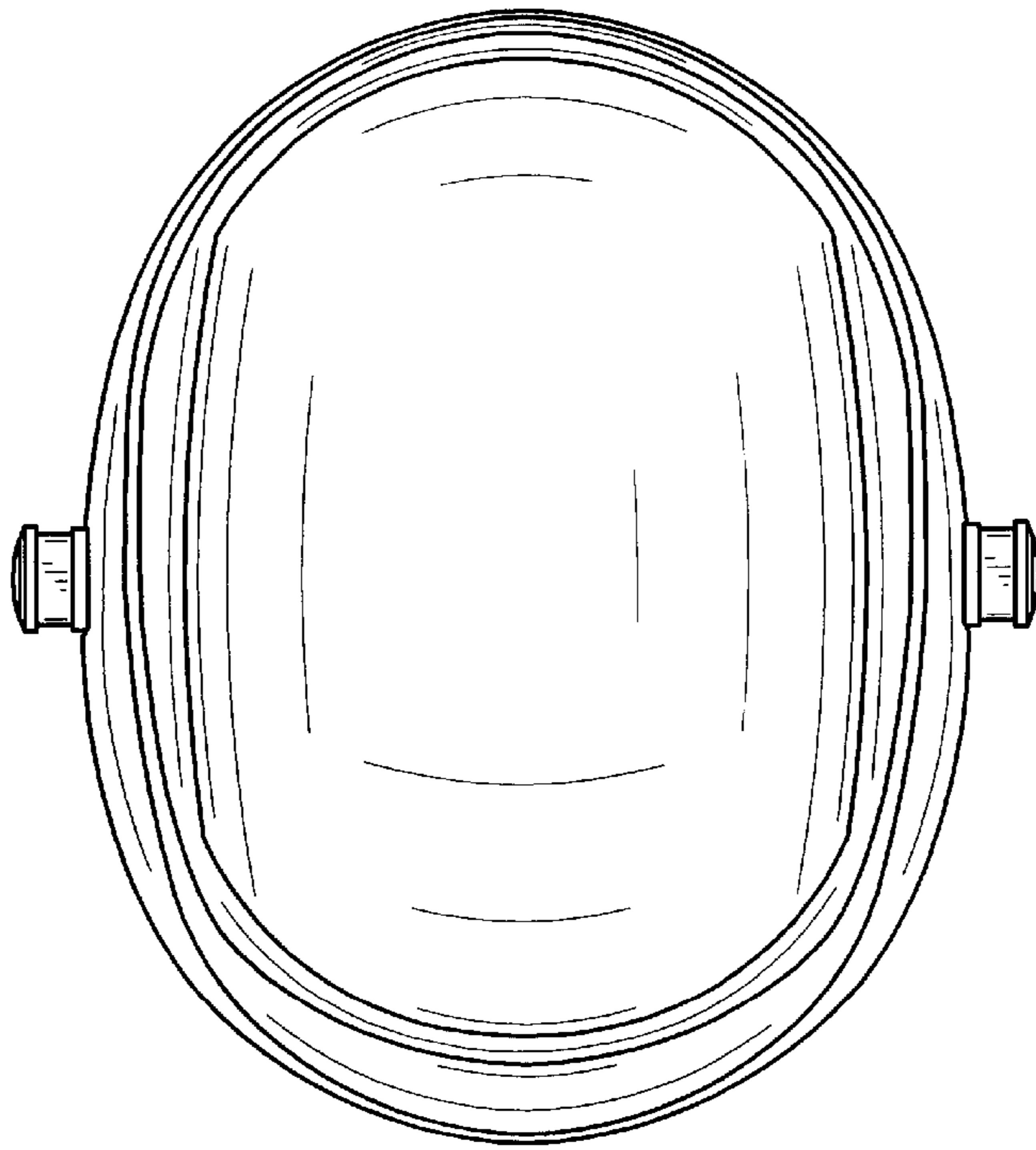


FIG. 2

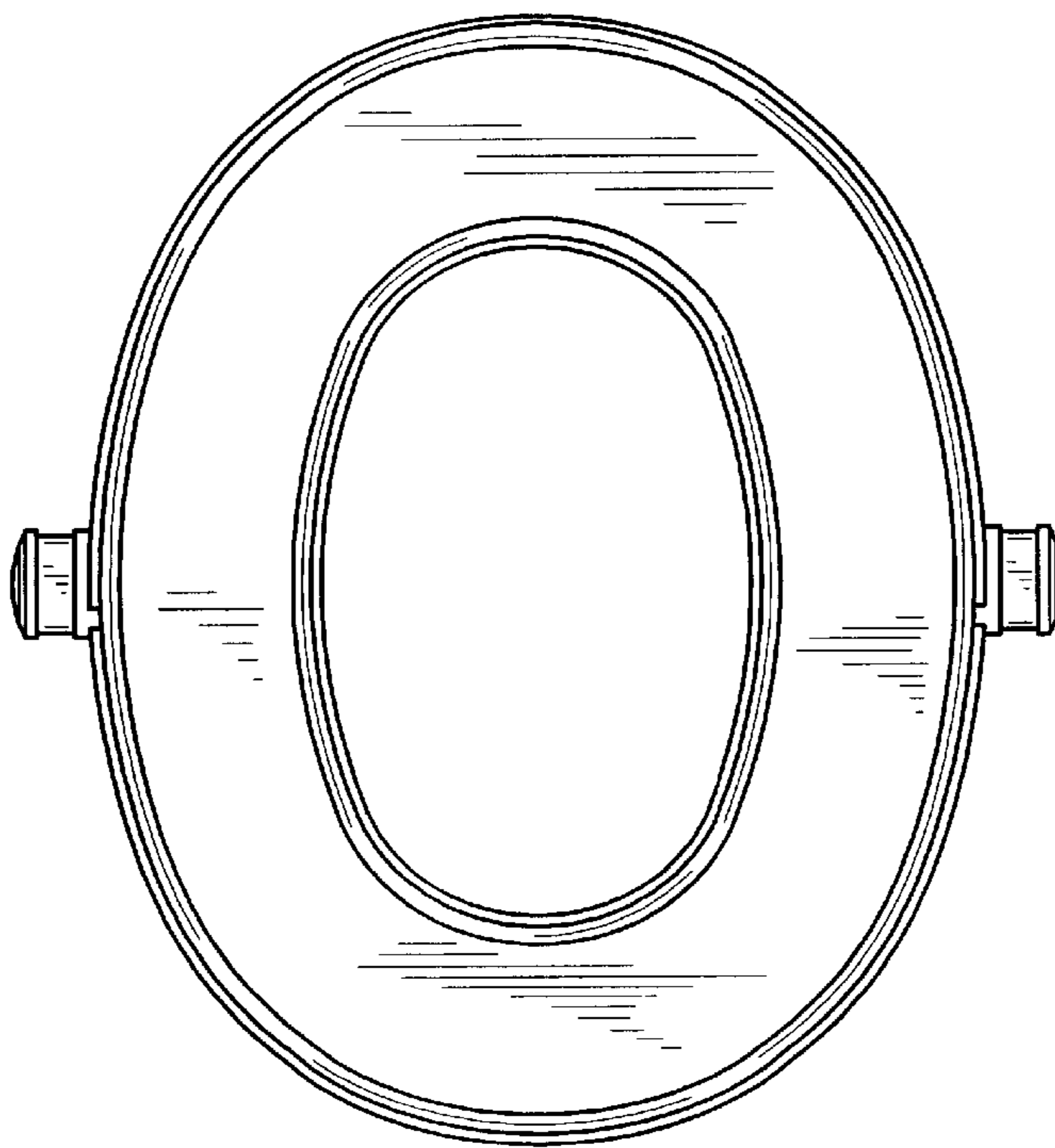


FIG. 3

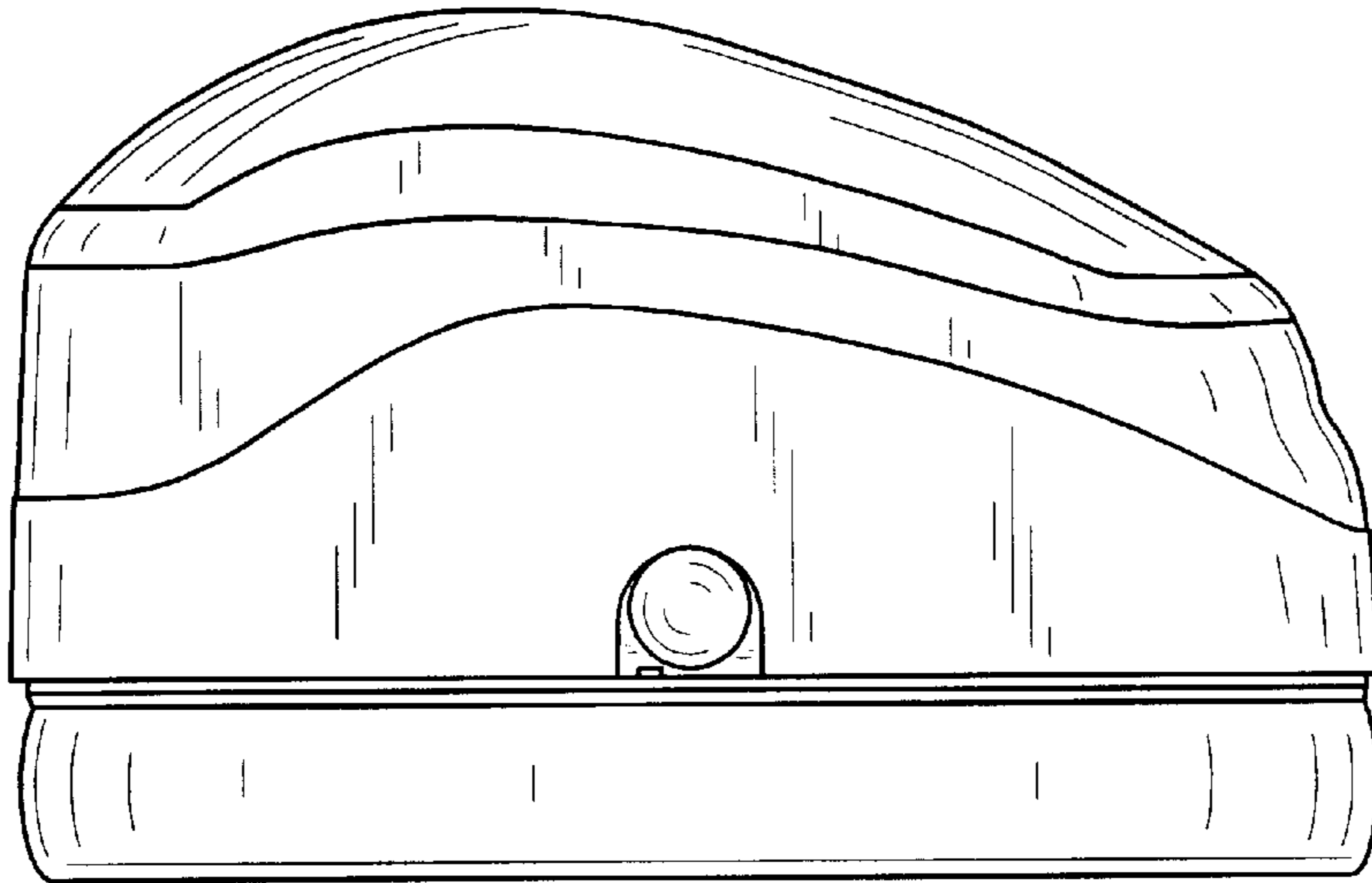


FIG. 4

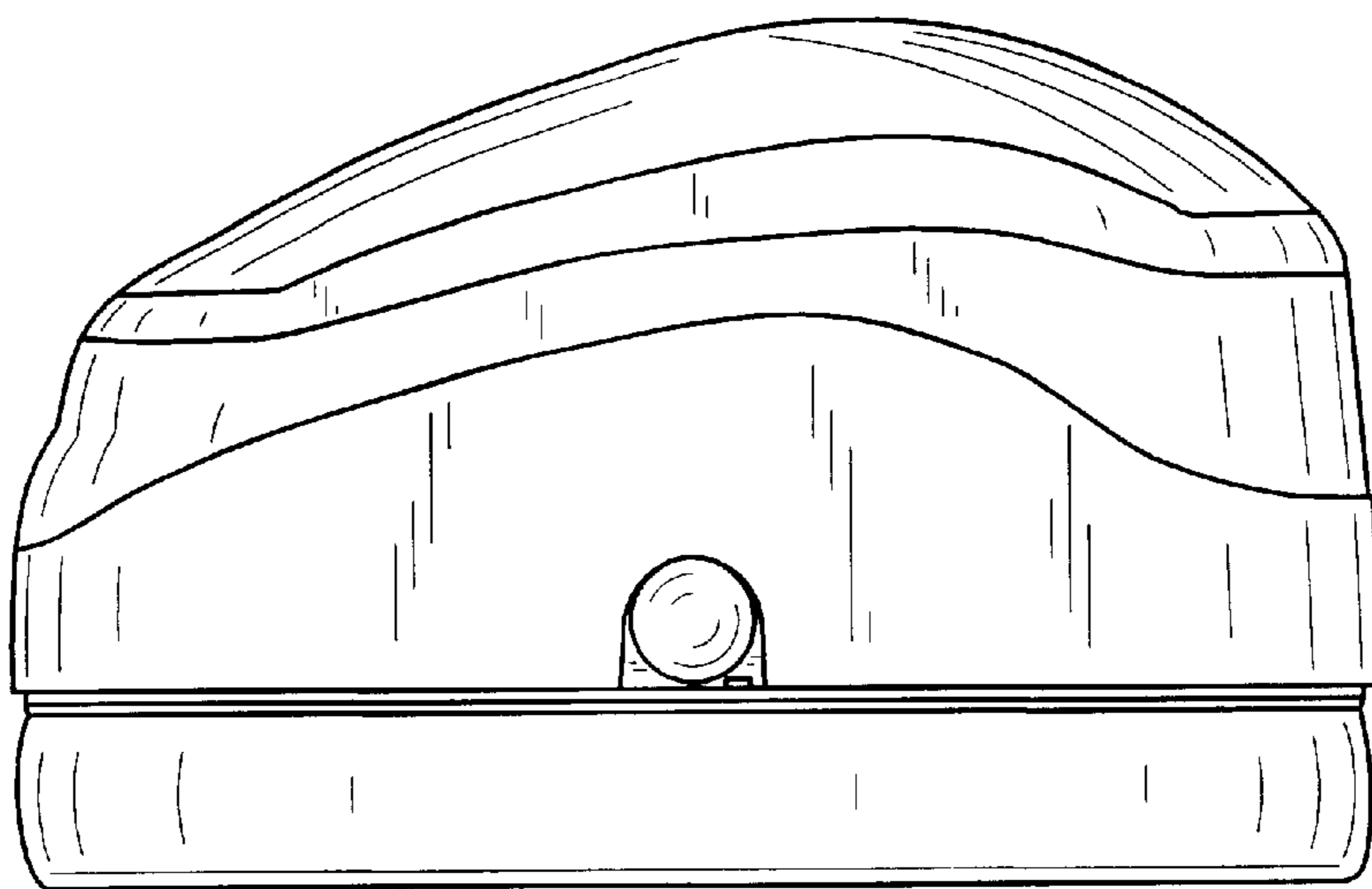


FIG. 5

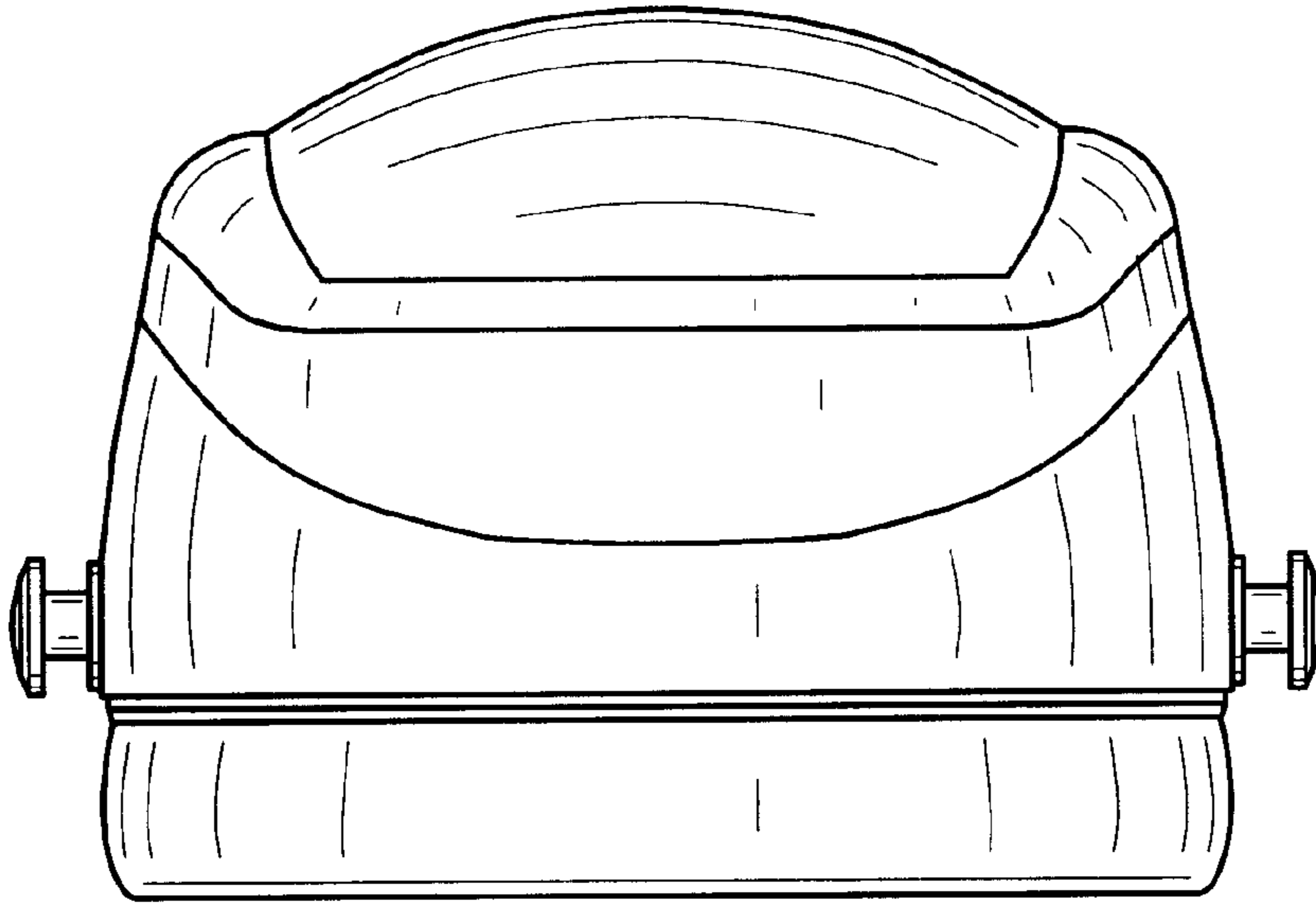


FIG. 6

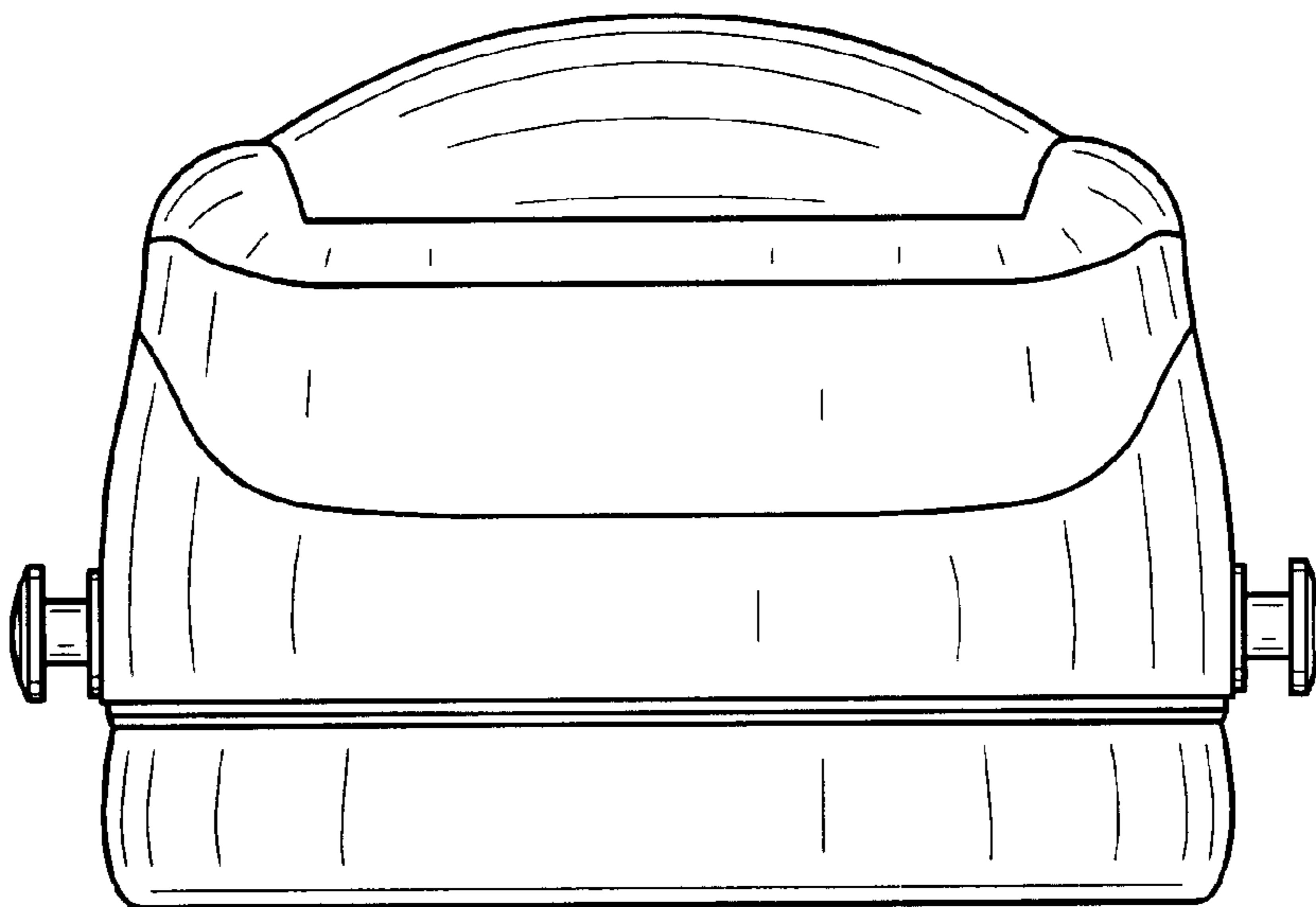


FIG. 7

