



US00D468049S

(12) **United States Design Patent**
Ries et al.

(10) **Patent No.:** **US D468,049 S**

(45) **Date of Patent:** **** Dec. 31, 2002**

(54) **SUSPENDED LUMINAIRE**

(75) Inventors: **Jack L. Ries**, Granville, OH (US);
Scott L. Posey, Newark, OH (US);
Tony Ucker, Pataskala, OH (US)

(73) Assignee: **Acuity Brands, Inc.**, Atlanta, GA (US)

(**) Term: **14 Years**

(21) Appl. No.: **29/155,568**

(22) Filed: **Feb. 11, 2002**

(51) **LOC (7) Cl.** **26-03**

(52) **U.S. Cl.** **D26/89**

(58) **Field of Search** D26/72, 80, 83-92,
D26/67-71; 362/404-408, 147, 310, 326,
341, 346-353, 362, 363

(56) **References Cited**

U.S. PATENT DOCUMENTS

1,607,413	A	*	11/1926	Tillson	362/347
2,129,335	A	*	9/1938	Poling	362/363
D268,876	S	*	5/1983	Leithauser, Jr.	D26/72
D271,428	S	*	11/1983	de Vos et al.	D26/85
D440,341	S	*	4/2001	Arumugasaamy	D26/85

OTHER PUBLICATIONS

Taiwan Lighting, Aug. 2001, p. 141, fixture at far left of top photo.*

Illuminotecnica, Nov./Dec. 1997, p. 167, fixture in bottom-center photo.*

* cited by examiner

Primary Examiner—Alan P. Douglas

Assistant Examiner—Clare E. Heflin

(74) *Attorney, Agent, or Firm*—Kenneth E. Darnell

(57) **CLAIM**

The ornamental design for a suspended luminaire, as shown and described.

DESCRIPTION

FIG. 1 is a bottom perspective view of a suspended luminaire showing our new design;

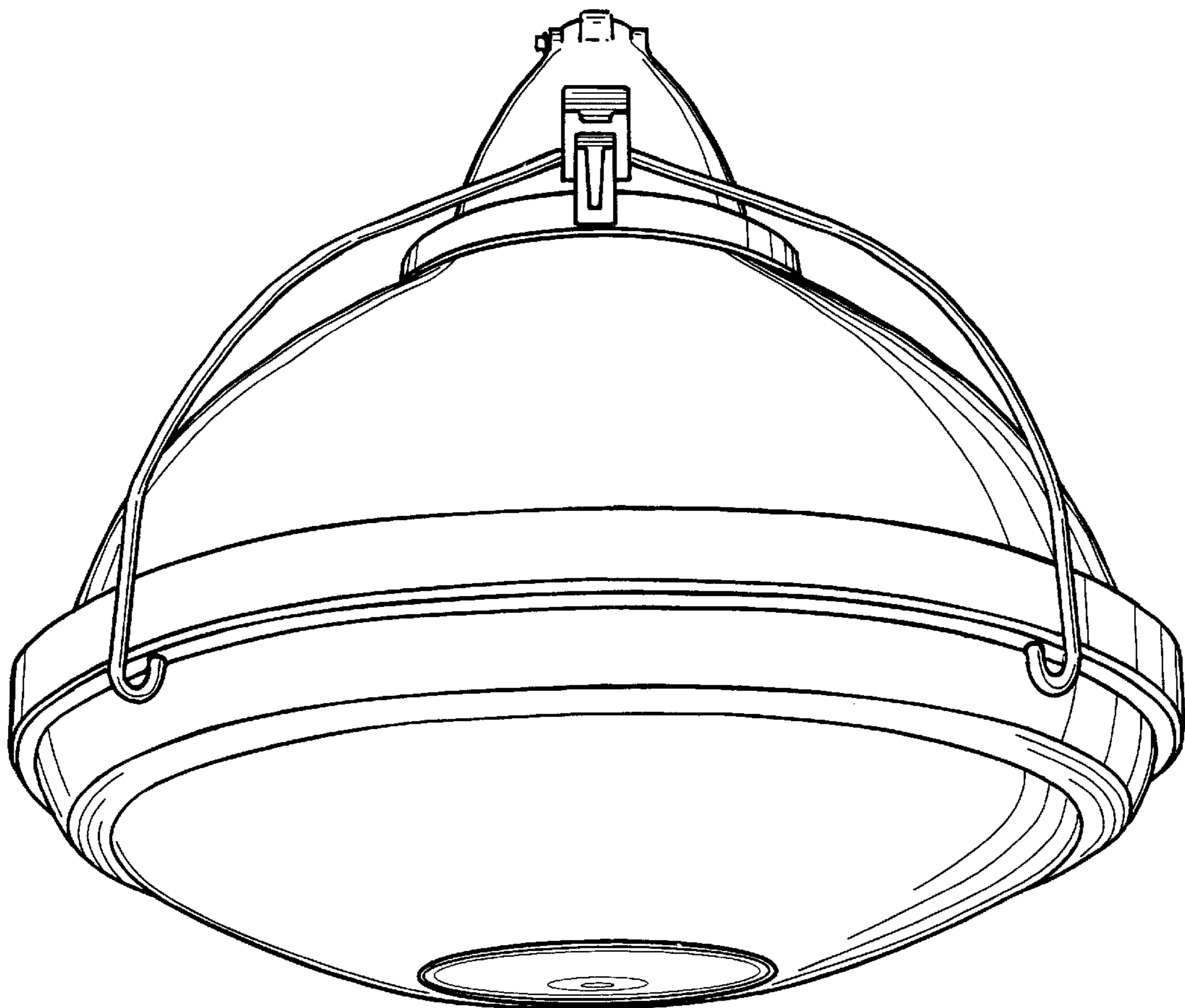
FIG. 2 is a first side elevational view thereof;

FIG. 3 is a second side elevational view thereof seen rotated 90° from the first elevational view of FIG. 2;

FIG. 4 is a top plan view thereof; and,

FIG. 5 is a bottom plan view thereof.

1 Claim, 4 Drawing Sheets



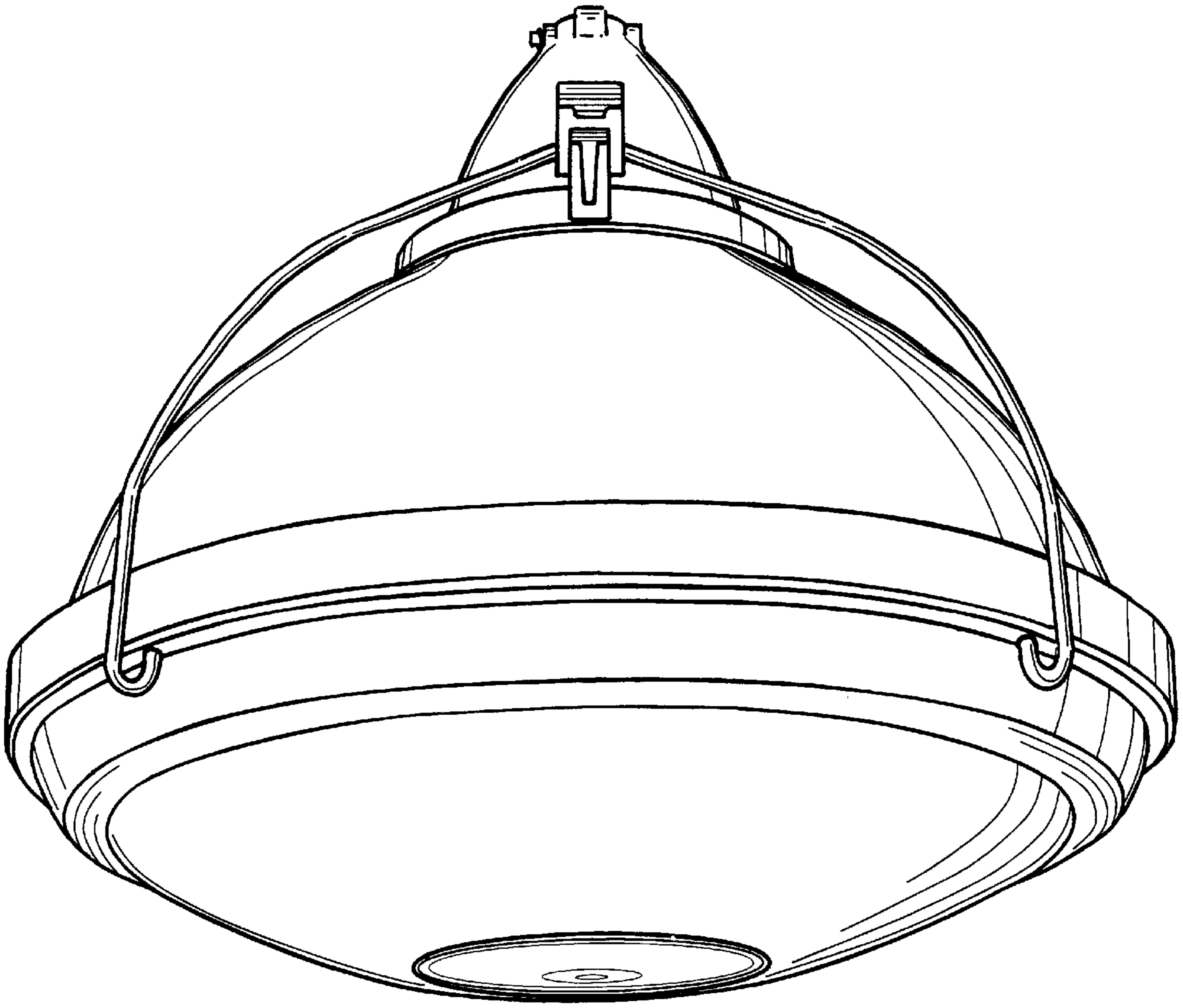


Fig. 1

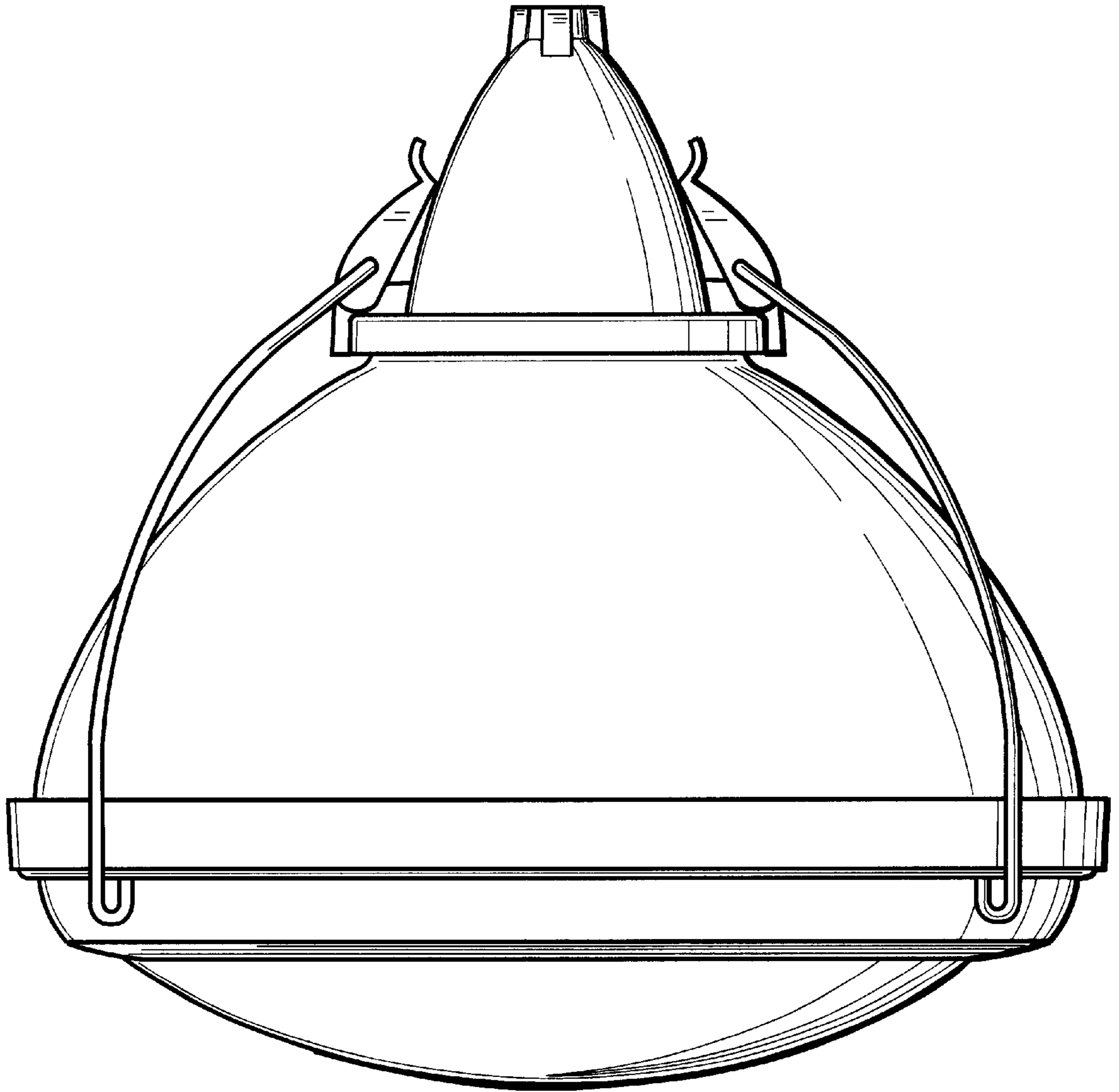


Fig. 2

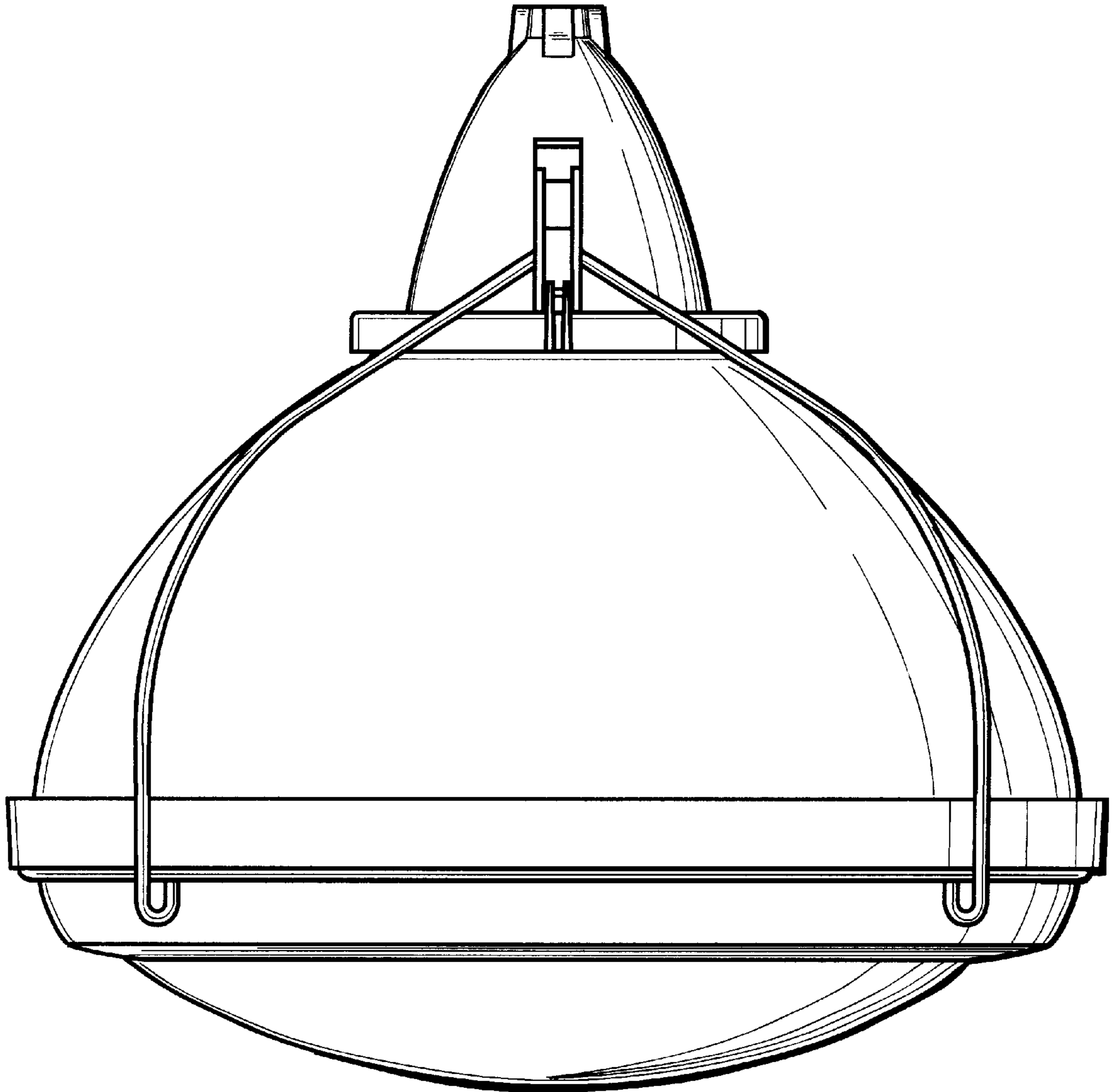


Fig. 3

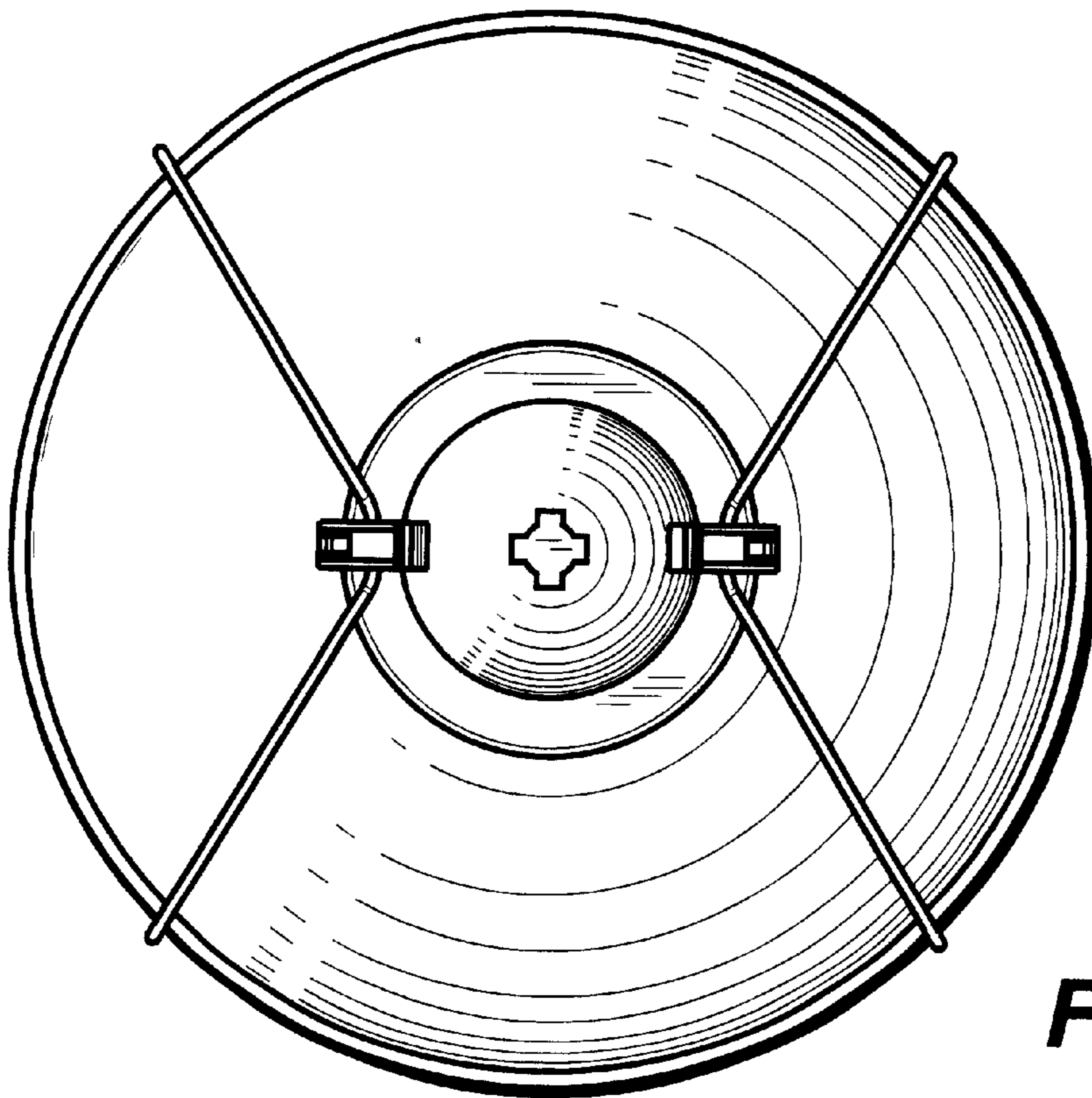


Fig. 4

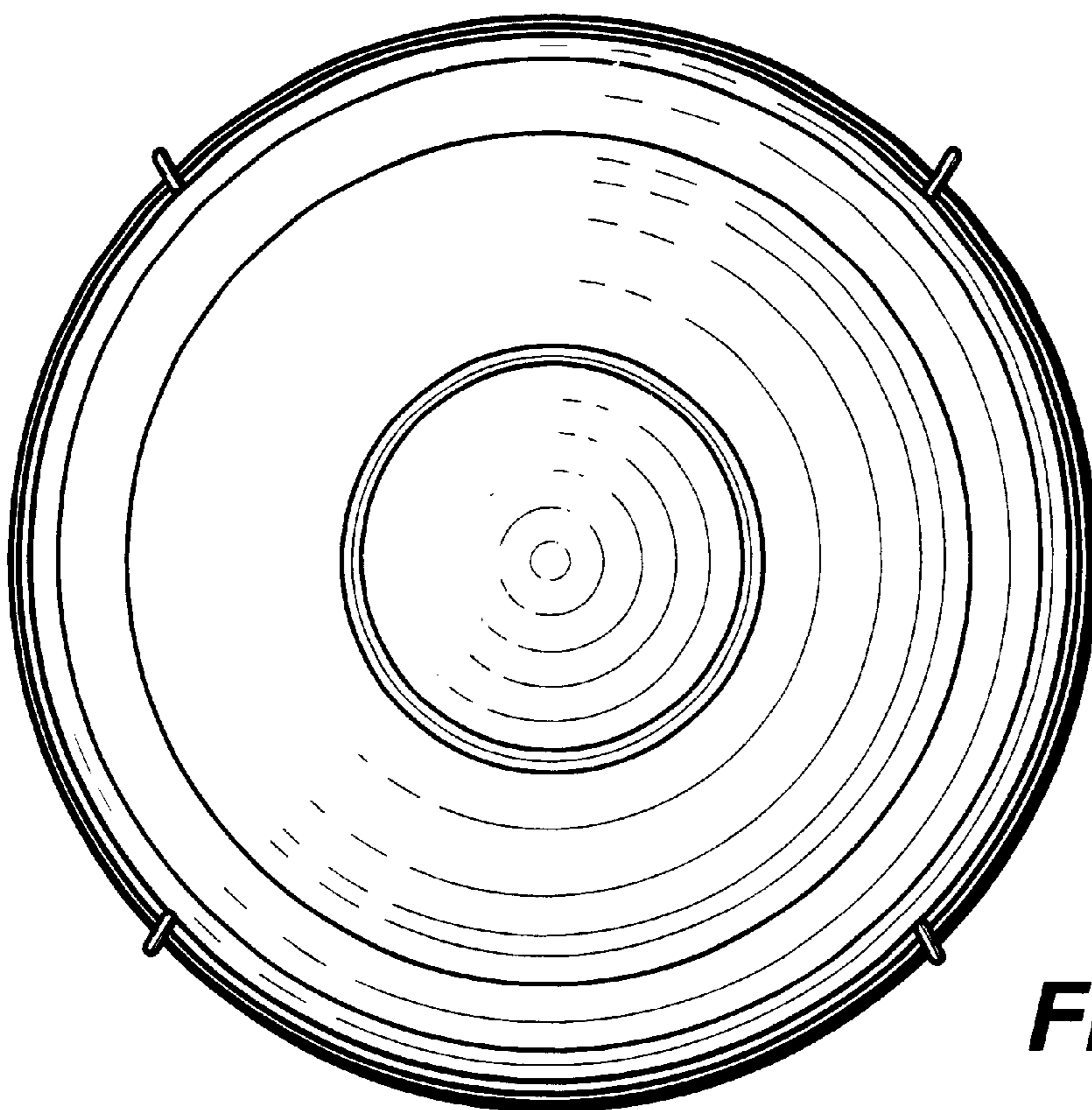


Fig. 5