



US00D468043S

(12) **United States Design Patent**
Krieger et al.

(10) **Patent No.:** **US D468,043 S**

(45) **Date of Patent:** **** Dec. 31, 2002**

(54) **HANGING ARBOR LAMP**

D427,352 S * 6/2000 Miranda D26/72

D435,128 S * 12/2000 Nicholas D26/67

D457,676 S * 5/2002 Cheong D26/67

(75) Inventors: **Michael Krieger**, Miami Beach, FL
(US); **Kevin Ellsworth**, Hollywood, FL
(US)

* cited by examiner

(73) Assignee: **Vector Products, Inc.**, Ft. Lauderdale,
FL (US)

Primary Examiner—Marcus A. Jackson

(74) *Attorney, Agent, or Firm*—Venable; Robert Kinberg

(**) Term: **14 Years**

(57) **CLAIM**

The ornamental design for a hanging arbor lamp, as shown and described.

(21) Appl. No.: **29/156,564**

(22) Filed: **Mar. 5, 2002**

DESCRIPTION

(51) **LOC (7) Cl.** **26-05**

FIG. 1 is a top-front-right perspective view of the hanging arbor lamp showing our new design;

(52) **U.S. Cl.** **D26/67**

FIG. 2 is a front view of the design shown in FIG. 1;

(58) **Field of Search** D26/67-72, 85,

FIG. 3 is a back view of the design shown in FIG. 1;

D26/87, 92; 362/147, 157, 183, 363, 367,
431, 432

FIG. 4 is a right side view of the design shown in FIG. 1;

FIG. 5 is a left side view of the design shown in FIG. 1;

FIG. 6 is a top view of the design shown in FIG. 1; and,

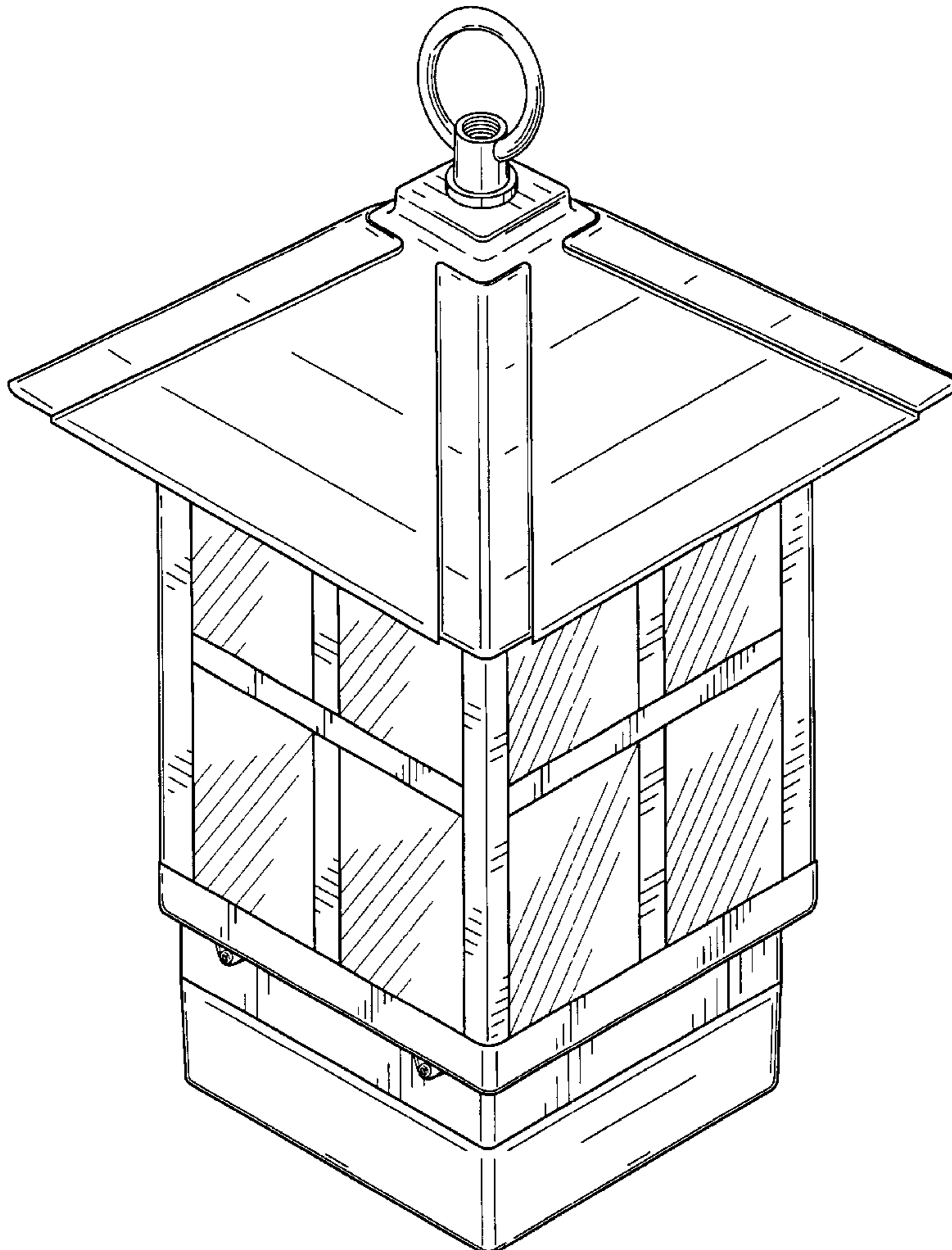
FIG. 7 is a bottom view of the design shown in FIG. 1.

(56) **References Cited**

U.S. PATENT DOCUMENTS

D409,780 S * 5/1999 Maxwell D26/67

1 Claim, 7 Drawing Sheets



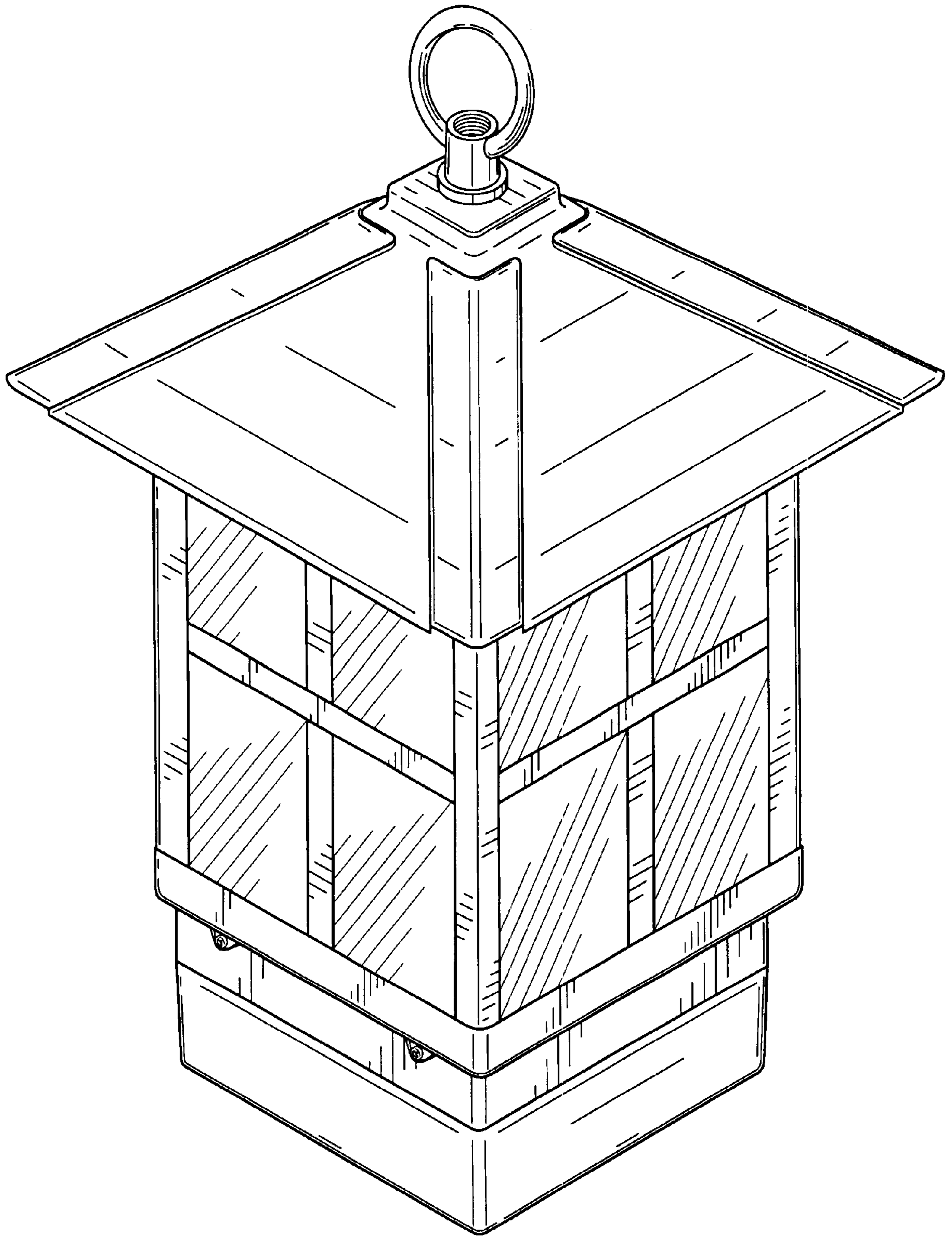


FIG. 1

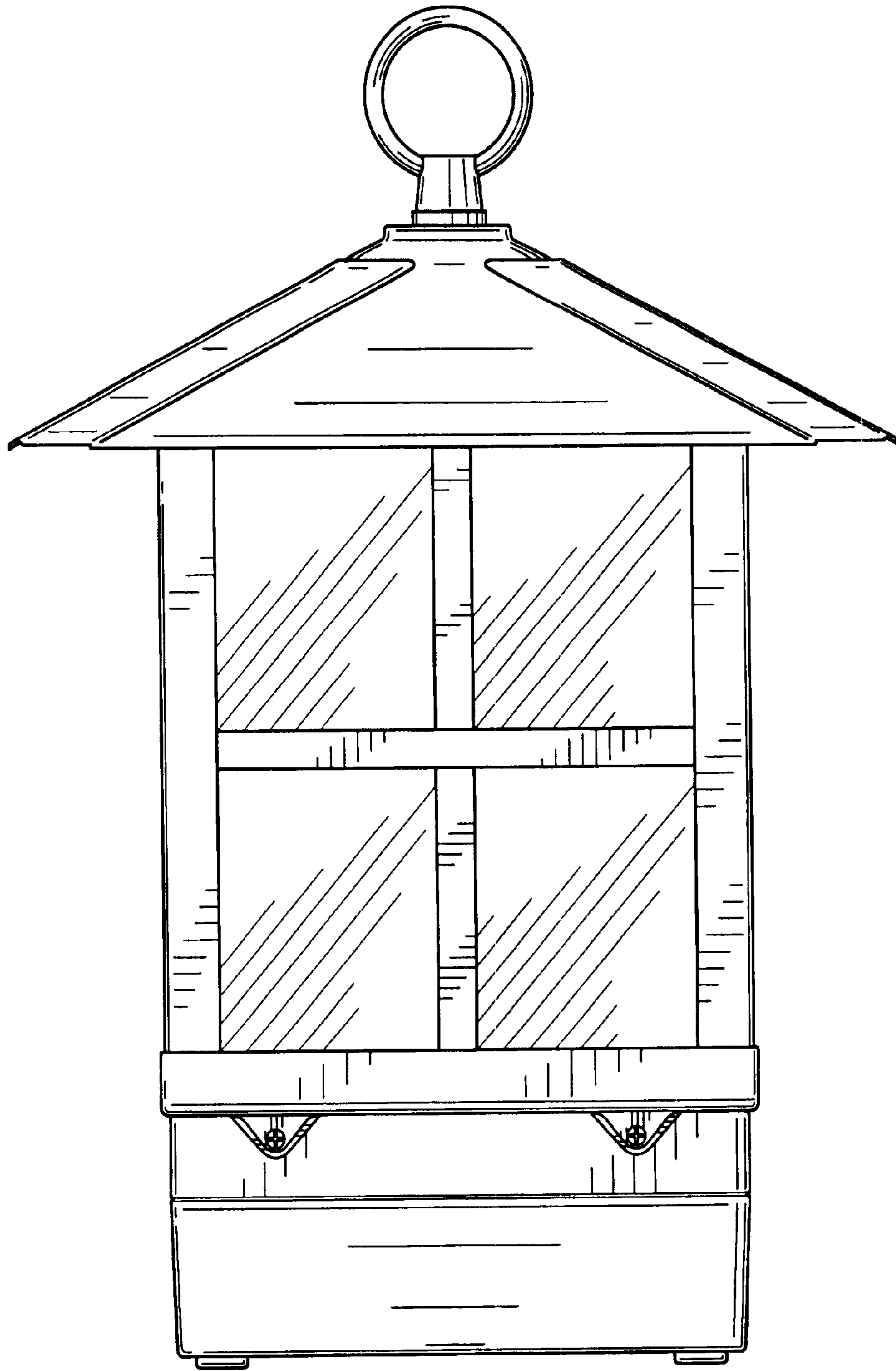


FIG. 2

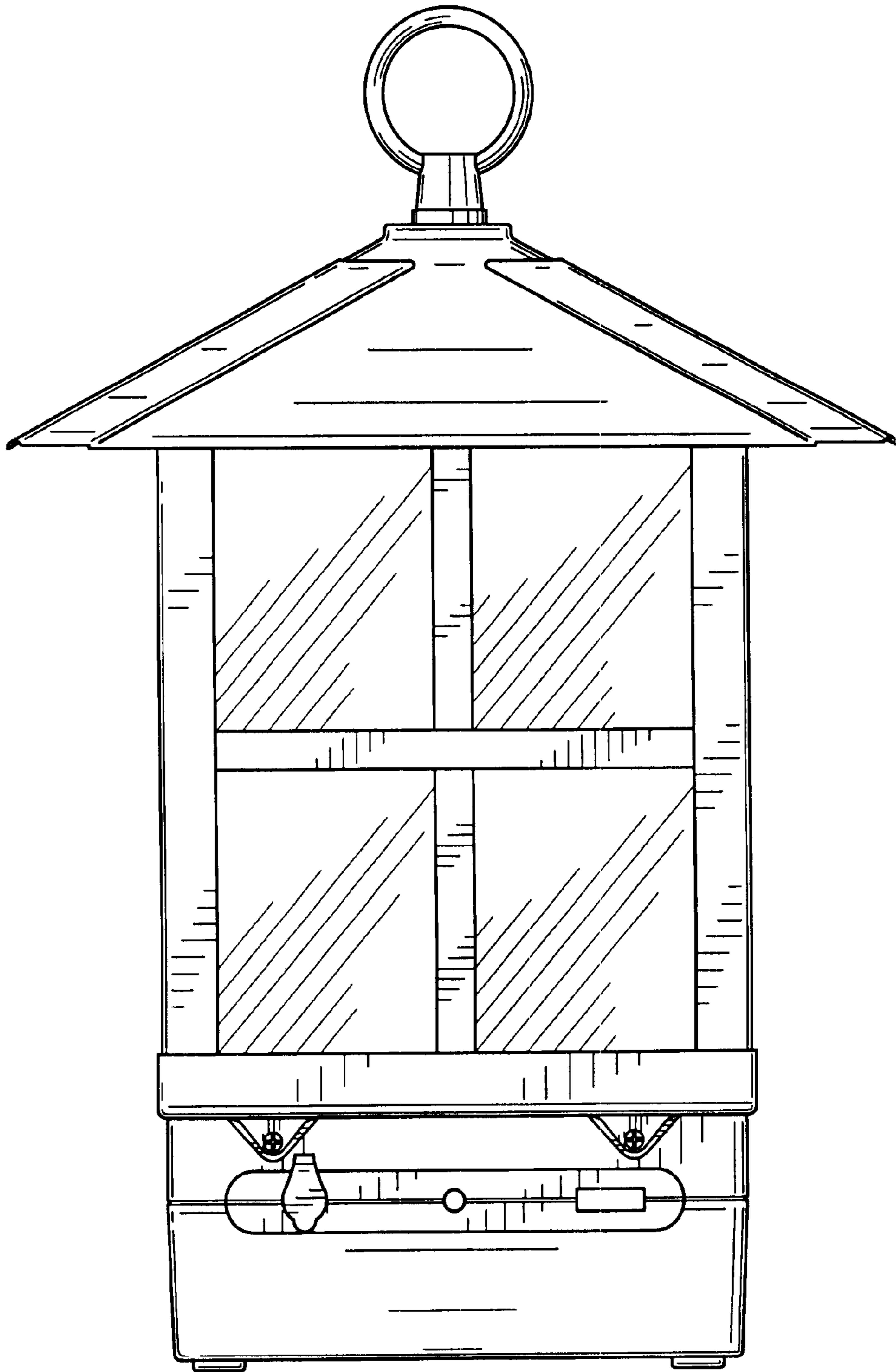


FIG. 3

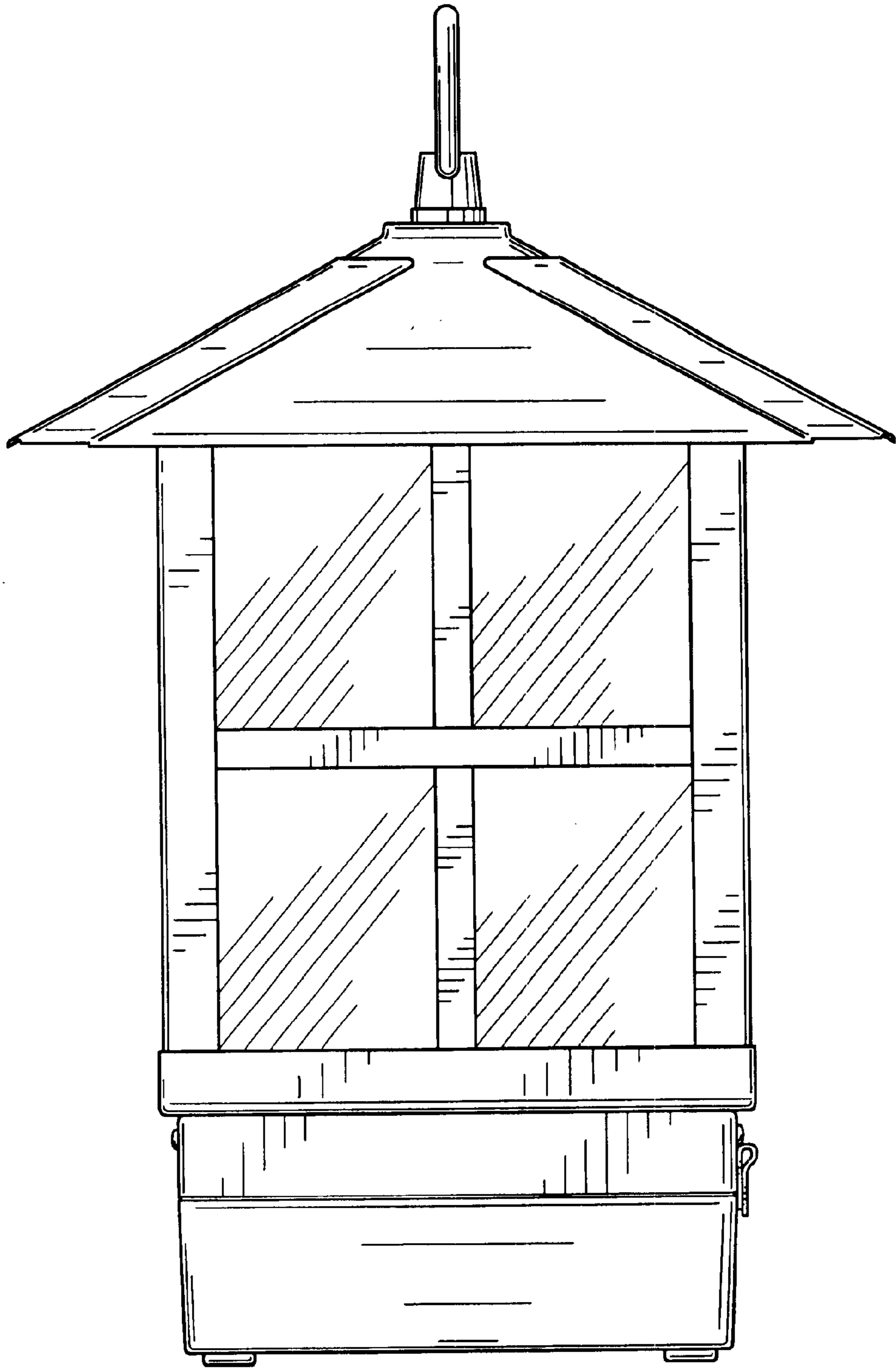


FIG. 4

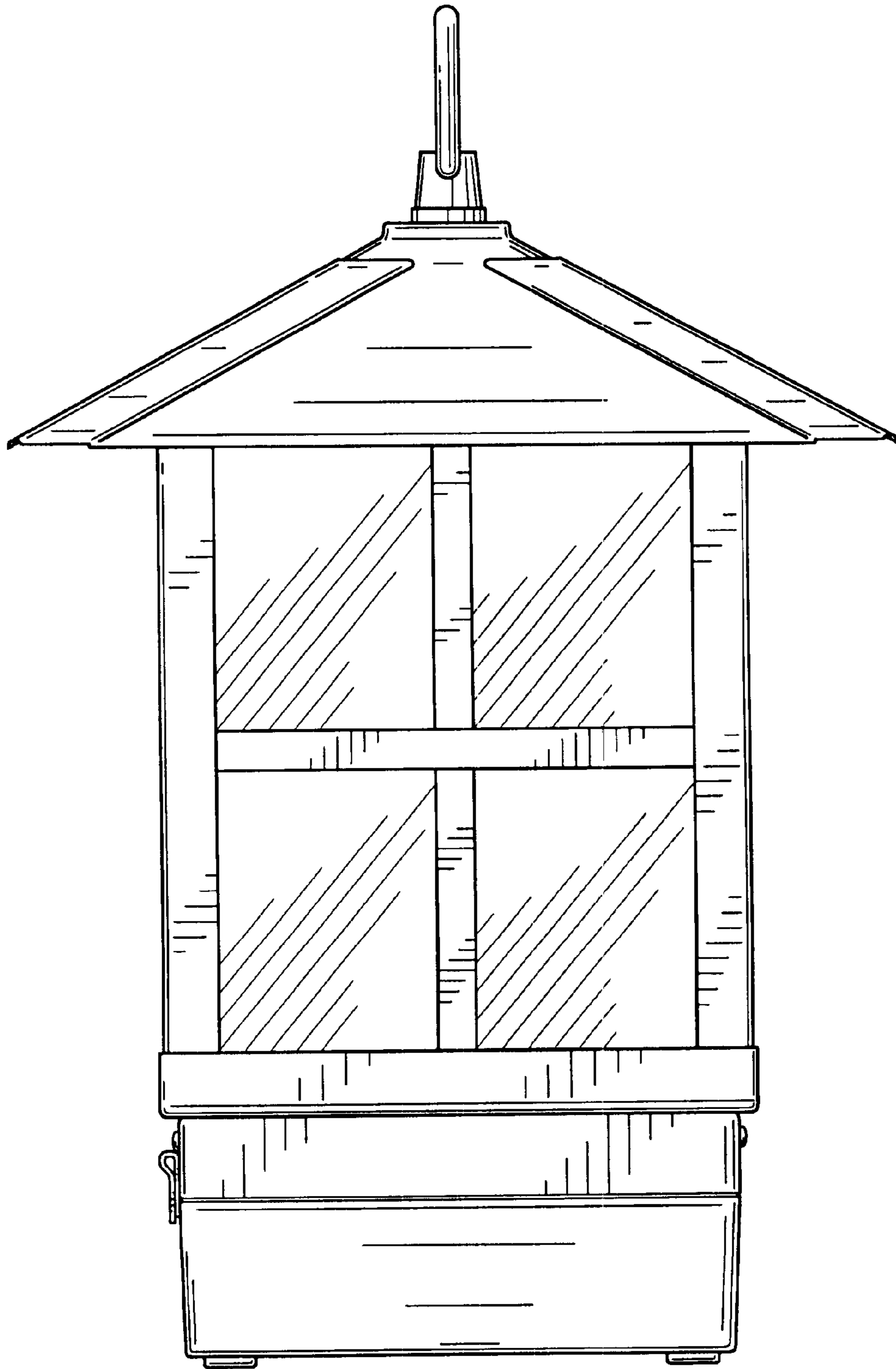


FIG. 5

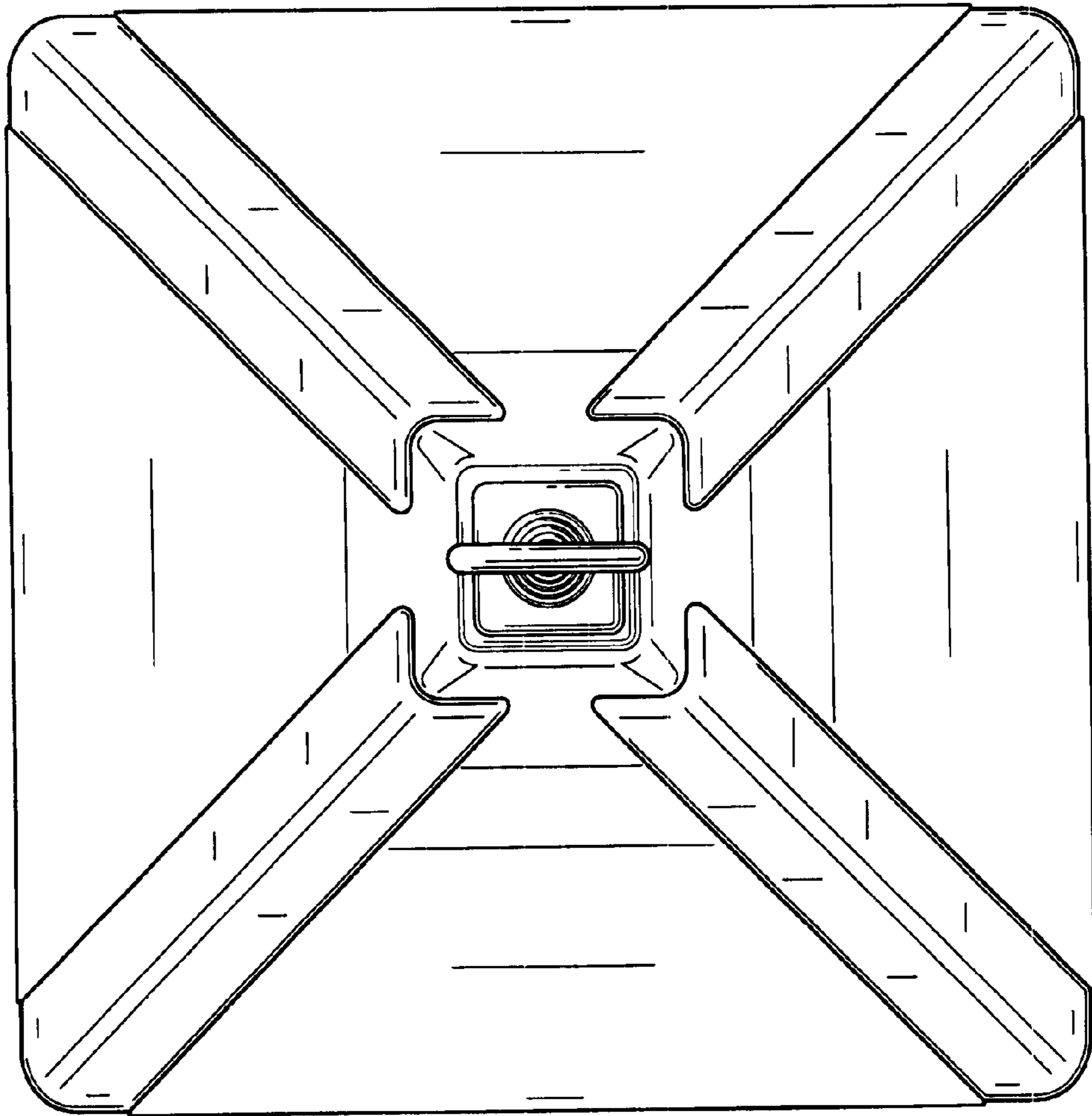


FIG. 6

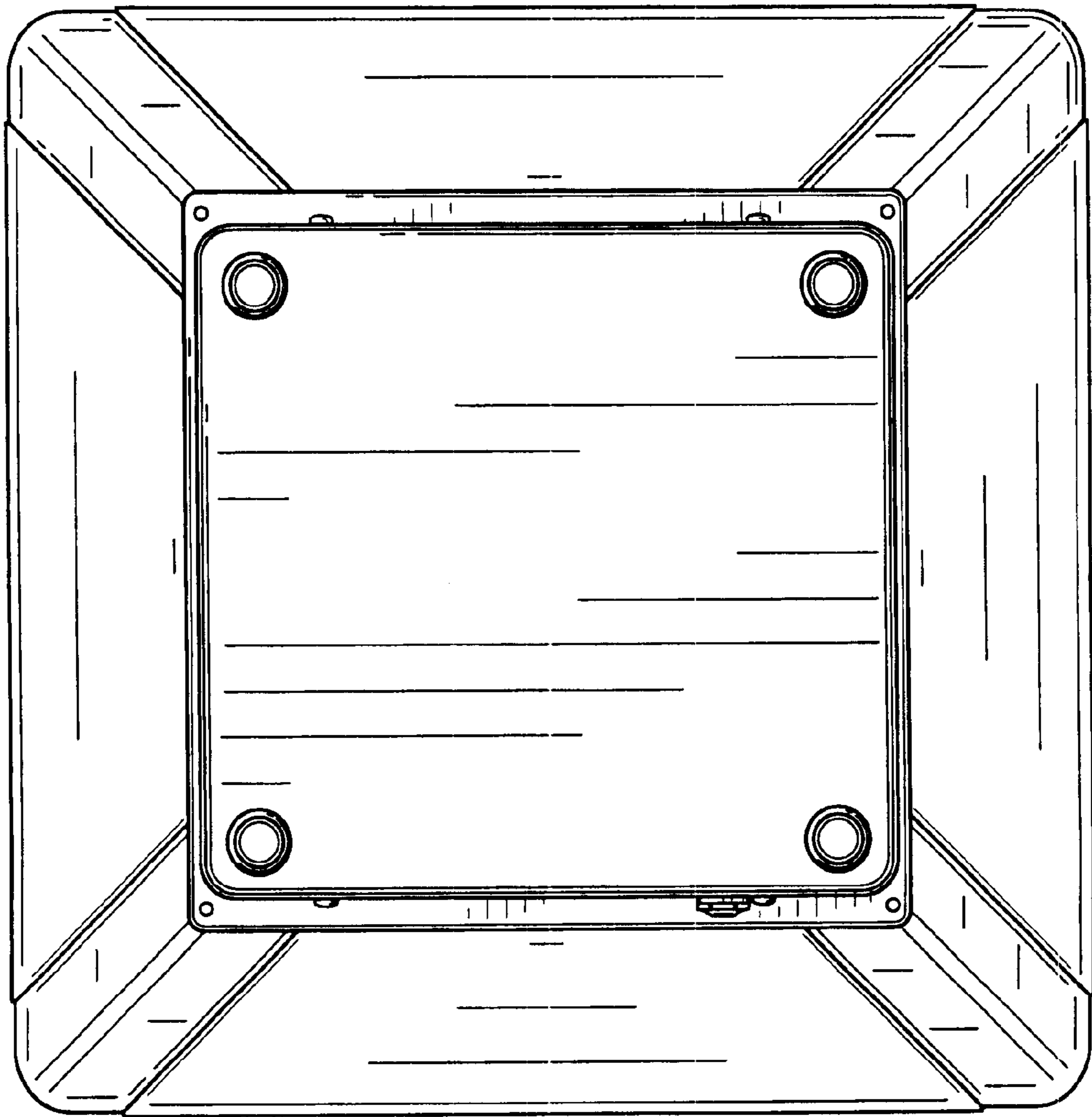


FIG. 7