



US00D468042S

(12) **United States Design Patent**
Volpe

(10) **Patent No.:** **US D468,042 S**

(45) **Date of Patent:** **** Dec. 31, 2002**

(54) **COMBINED TORCH HOLDER AND DRIVING CAP**

(76) Inventor: **James Volpe**, 73 Victor Ave., Eatontown, NJ (US) 07724

(**) Term: **14 Years**

(21) Appl. No.: **29/155,786**

(22) Filed: **Feb. 15, 2002**

(51) **LOC (7) Cl.** **26-05**

(52) **U.S. Cl.** **D26/67**

(58) **Field of Search** D26/61, 63, 65, D26/67, 68; 362/153.1, 267, 269, 275, 285, 410, 414, 418, 419, 421, 427, 431

(56) **References Cited**

U.S. PATENT DOCUMENTS

D319,891 S	*	9/1991	Giese	D26/67
D370,287 S	*	5/1996	Kay	D26/67
D444,253 S	*	6/2001	Blanchard	D26/67

* cited by examiner

Primary Examiner—Marcus A. Jackson
(74) *Attorney, Agent, or Firm*—Patrick J. Pinto

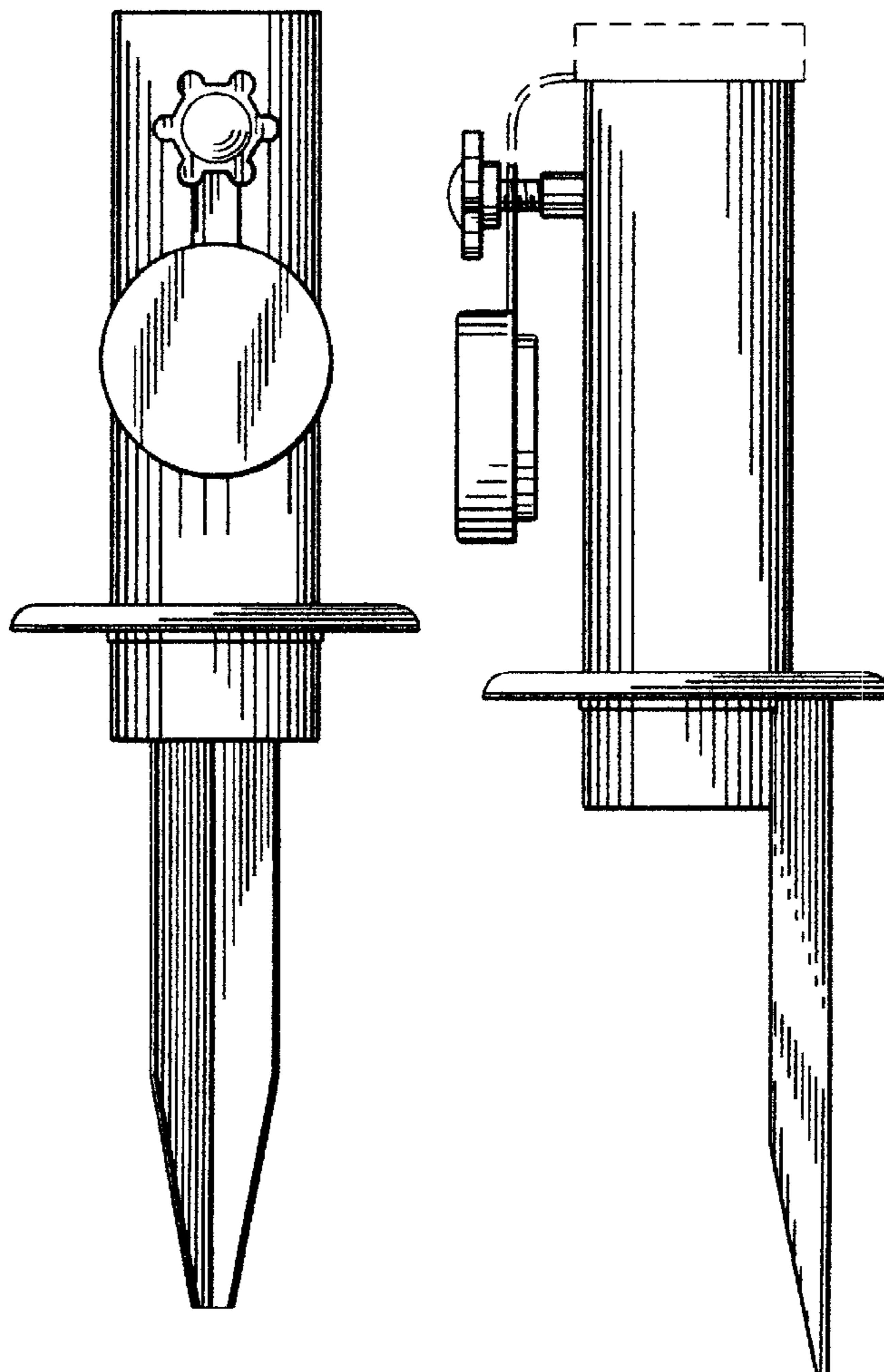
(57) **CLAIM**

The ornamental design for a combined torch holder and driving cap, as shown and described.

DESCRIPTION

FIG. 1 is a front view of a combined torch holder and driving cap, showing my new design, this view showing a drive cap being suspended from a clamp screw by its flexible strap; FIG. 2 is a top plan view thereof with the driving cap removed for clarity of the illustration; FIG. 3 is a bottom view thereof; FIG. 4 is a left side view thereof, this view also showing the driving cap and flexible strap, in dashed outline, in an alternate seated and driving position, the right side view being a mirror image thereof; FIG. 5 is a rear view thereof and showing the driving cap in the alternate and driving position; and, FIG. 6 is a rear view of the driving cap being removed from the torch holder for clarity of the illustration.

1 Claim, 1 Drawing Sheet



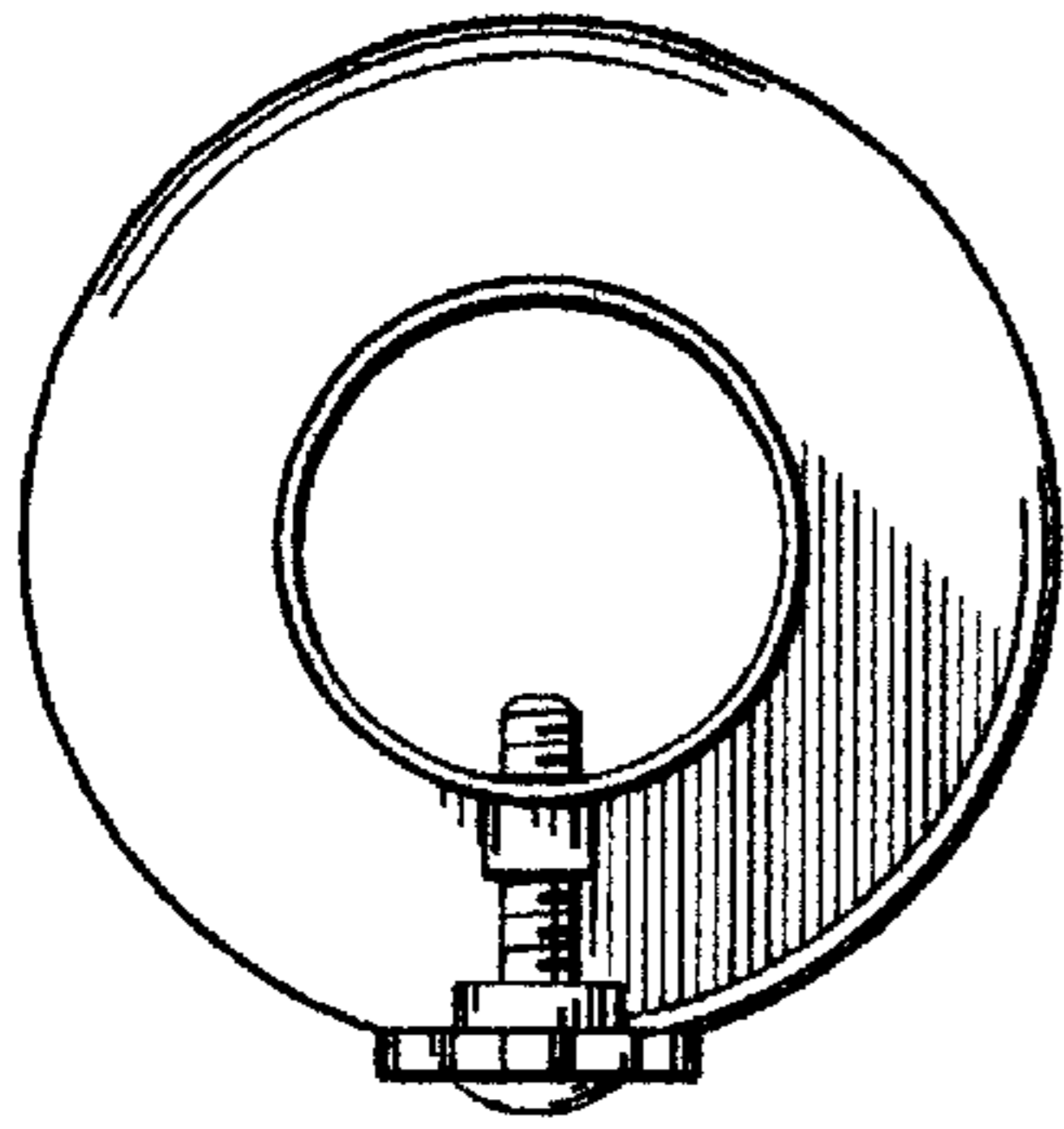


FIG. 2

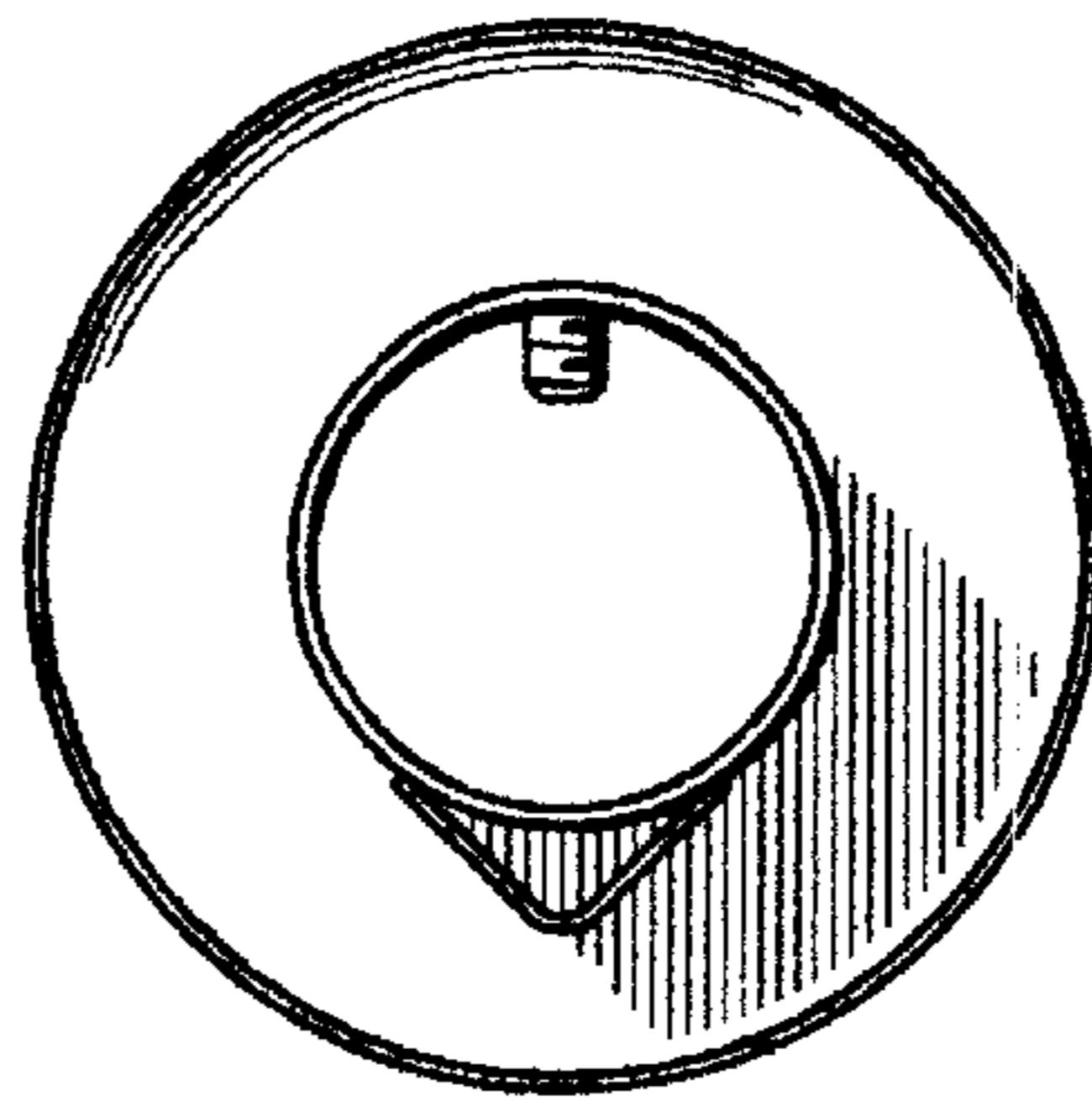


FIG. 3

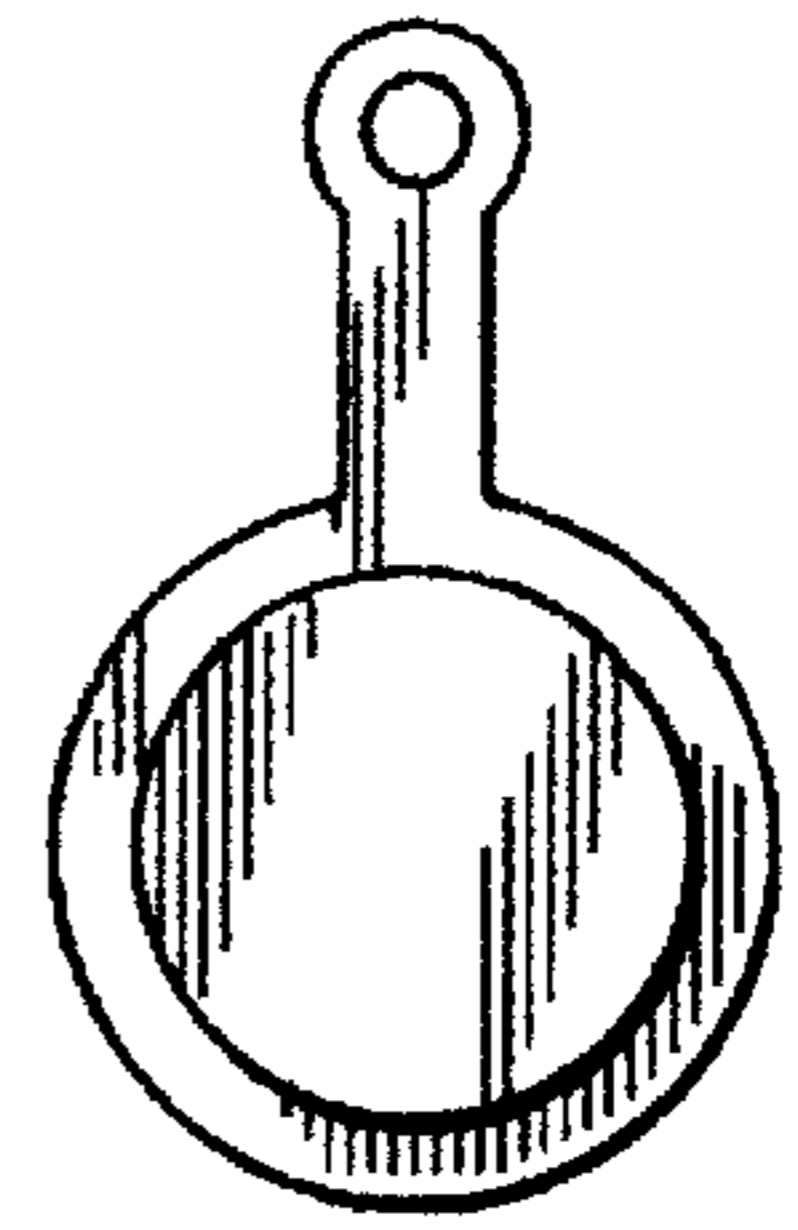


FIG. 6

FIG. 1

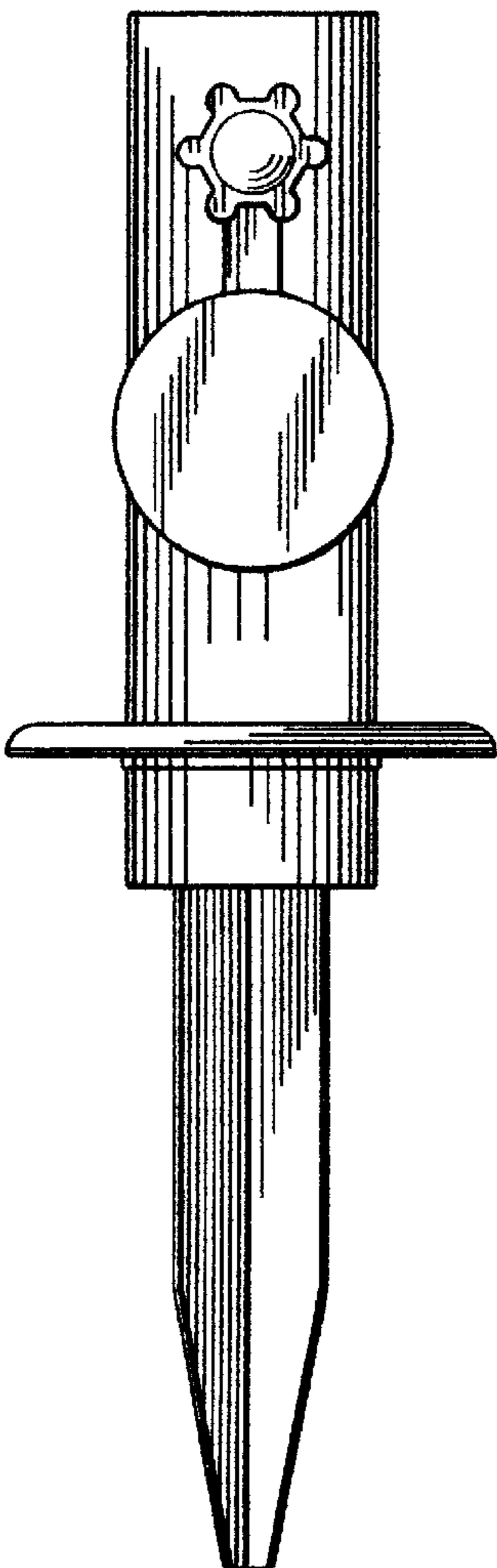


FIG. 4

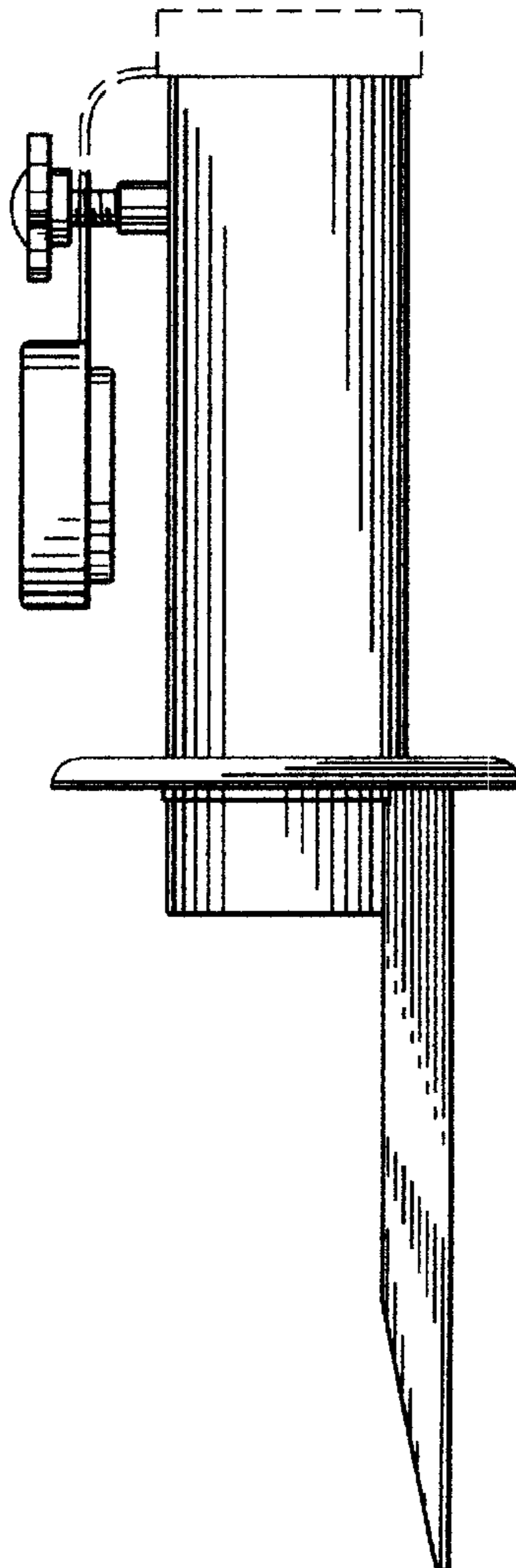


FIG. 5

