



US00D468039S

(12) **United States Design Patent**
Poon

(10) **Patent No.:** **US D468,039 S**

(45) **Date of Patent:** **** Dec. 31, 2002**

(54) **LANTERN**

D443,088 S * 5/2001 Skidmore et al. D26/40

(75) Inventor: **Tit Wing Poon**, Shatin (HK)

* cited by examiner

(73) Assignee: **Flying Dragon Development Ltd.**,
Shatin (HK)

Primary Examiner—Marcus A. Jackson
(74) *Attorney, Agent, or Firm*—Alix, Yale & Ristas, LLP

(**) Term: **14 Years**

(57) **CLAIM**

(21) Appl. No.: **29/155,657**

The ornamental design for a lantern, as shown and described.

(22) Filed: **Feb. 14, 2002**

DESCRIPTION

(30) **Foreign Application Priority Data**

Aug. 15, 2001 (HK) 0111222

FIG. 1 is a front perspective view of the lantern showing my new design;

(51) **LOC (7) Cl.** **26-02**

FIG. 2 is a front view of the lantern of FIG. 1;

(52) **U.S. Cl.** **D26/40**

FIG. 3 is a left side view of the lantern of FIG. 1;

(58) **Field of Search** D26/37-50; 362/157,
362/158, 171, 172, 173, 183-208

FIG. 4 is a rear view of the lantern of FIG. 1;

FIG. 5 is a right side view of the lantern of FIG. 1;

FIG. 6 is a top plan view of the lantern of FIG. 1; and,

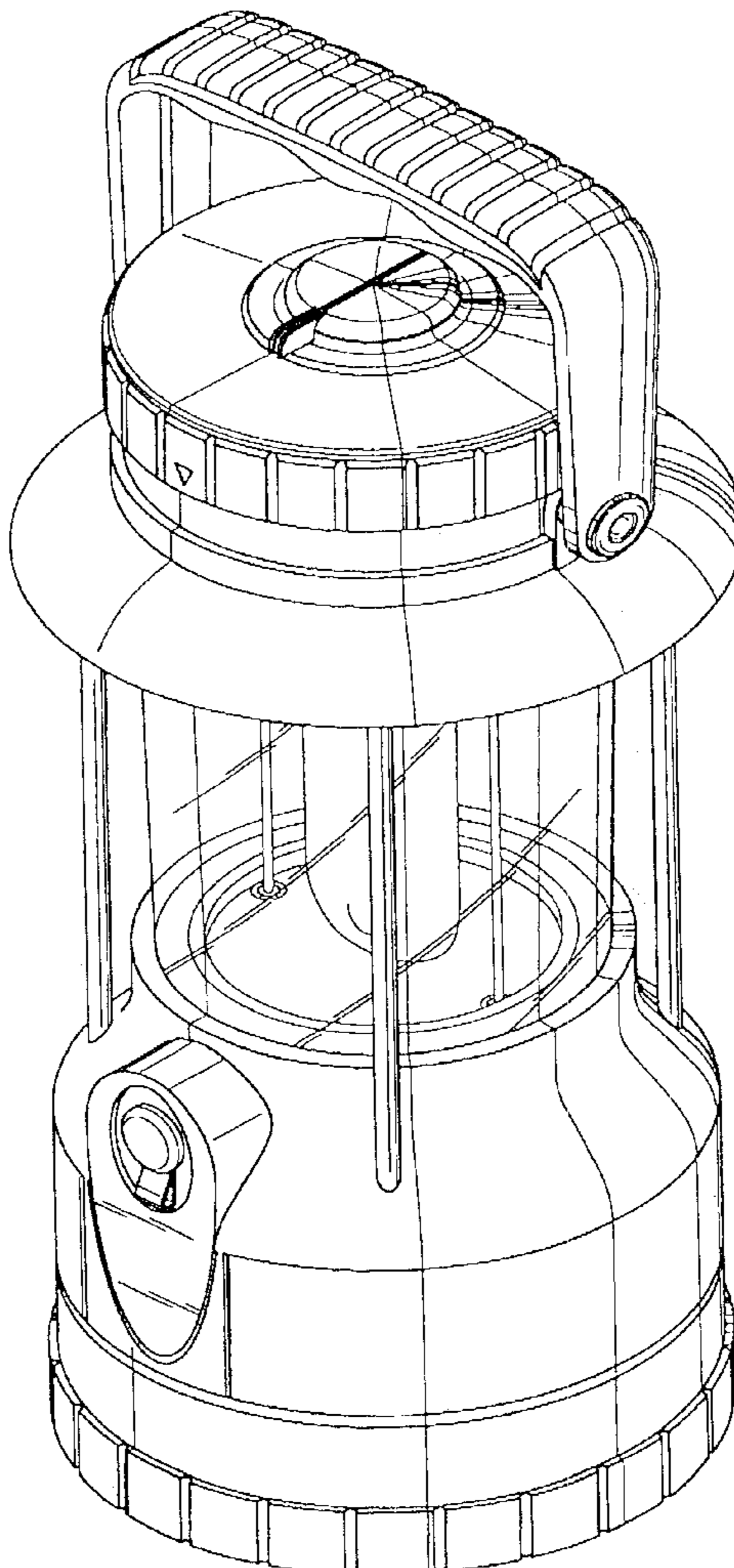
FIG. 7 is a bottom plan view of the lantern of FIG. 1.

(56) **References Cited**

U.S. PATENT DOCUMENTS

D433,762 S * 11/2000 Yuan D26/40

1 Claim, 6 Drawing Sheets



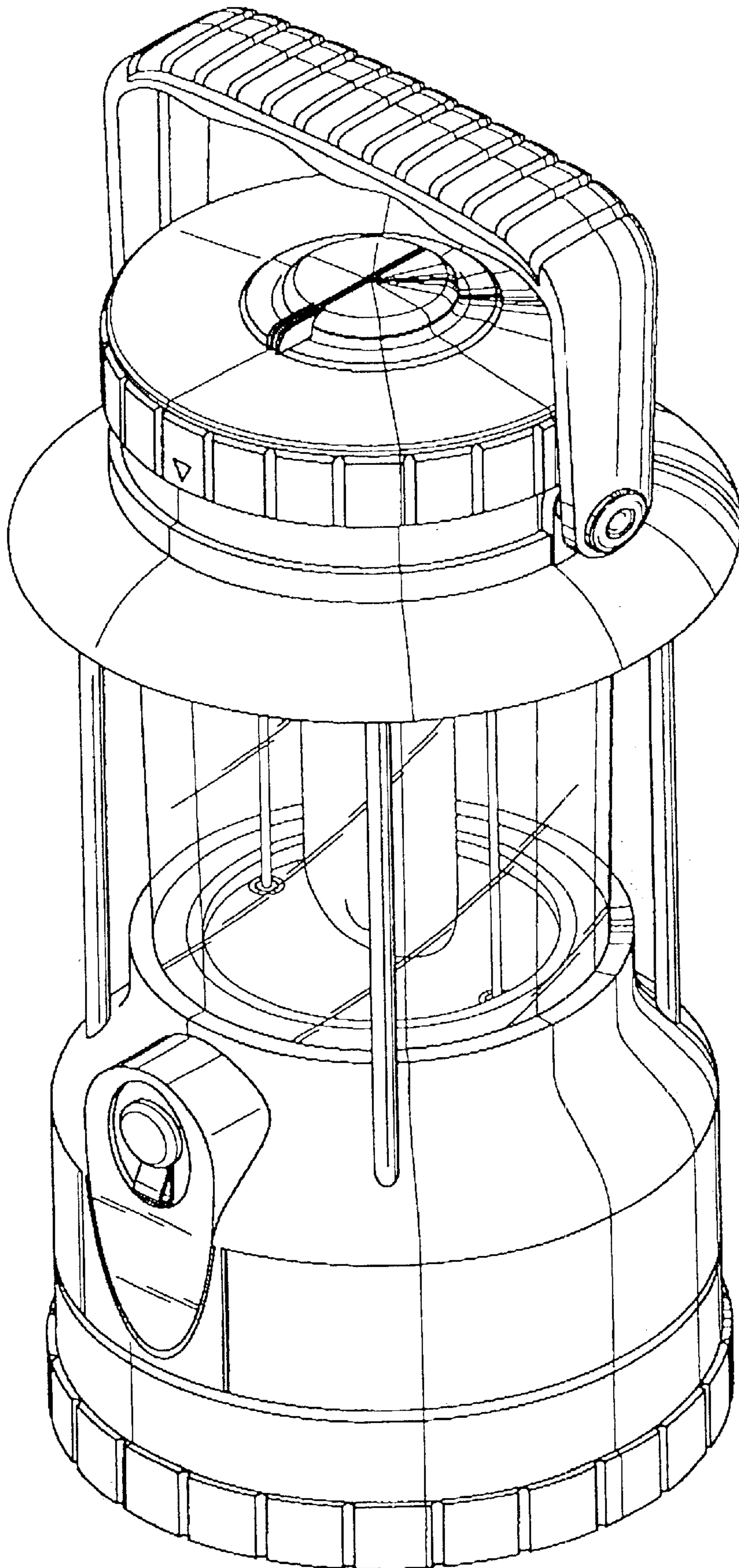


FIG. 1

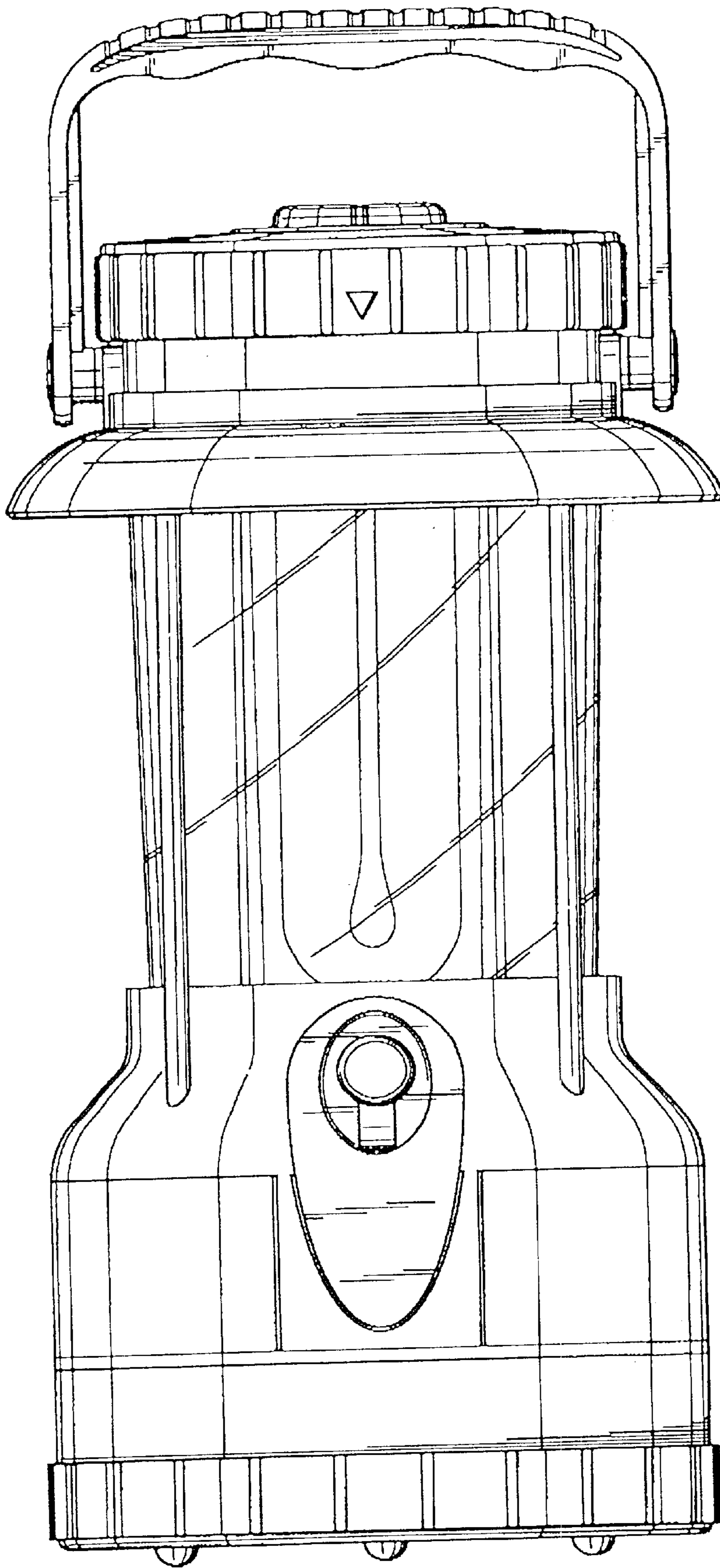


FIG. 2

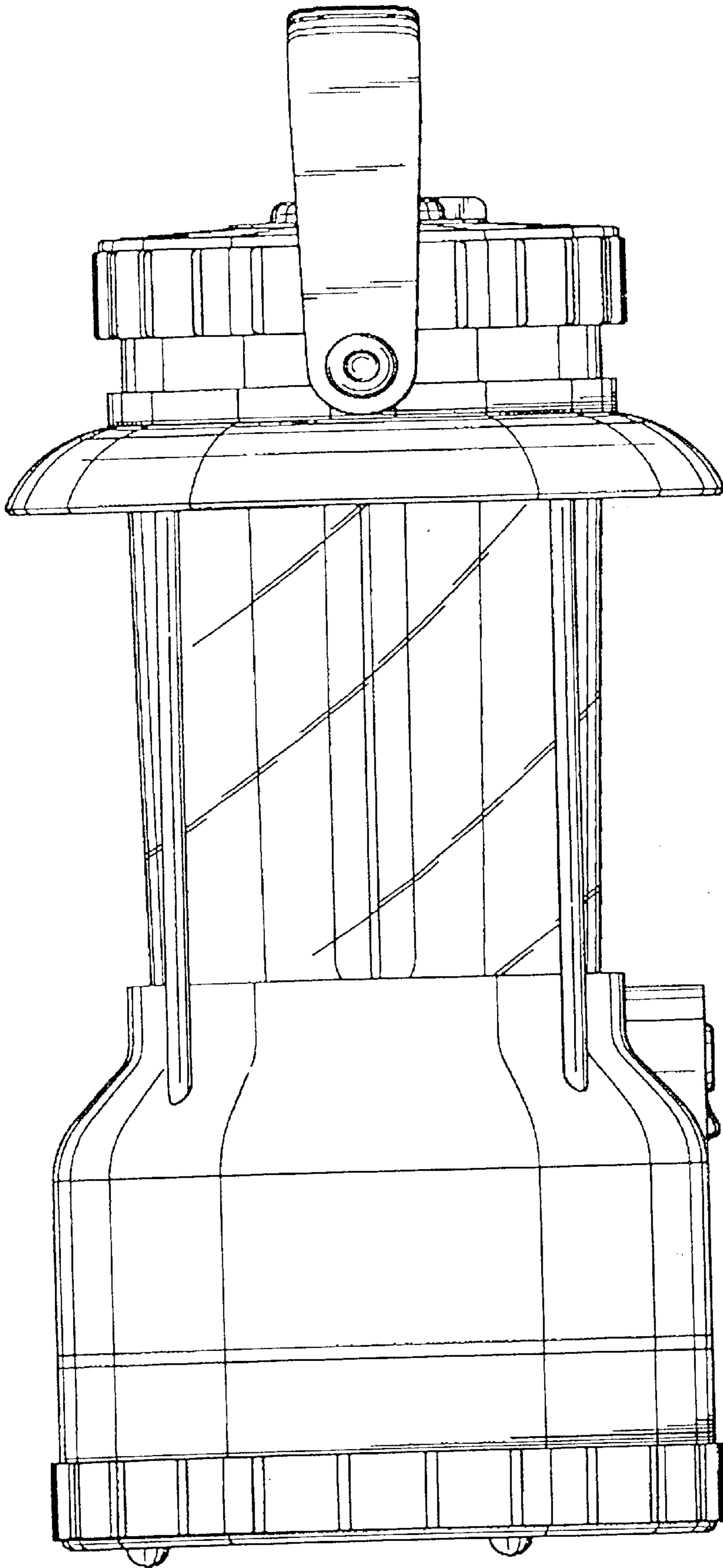


FIG. 3

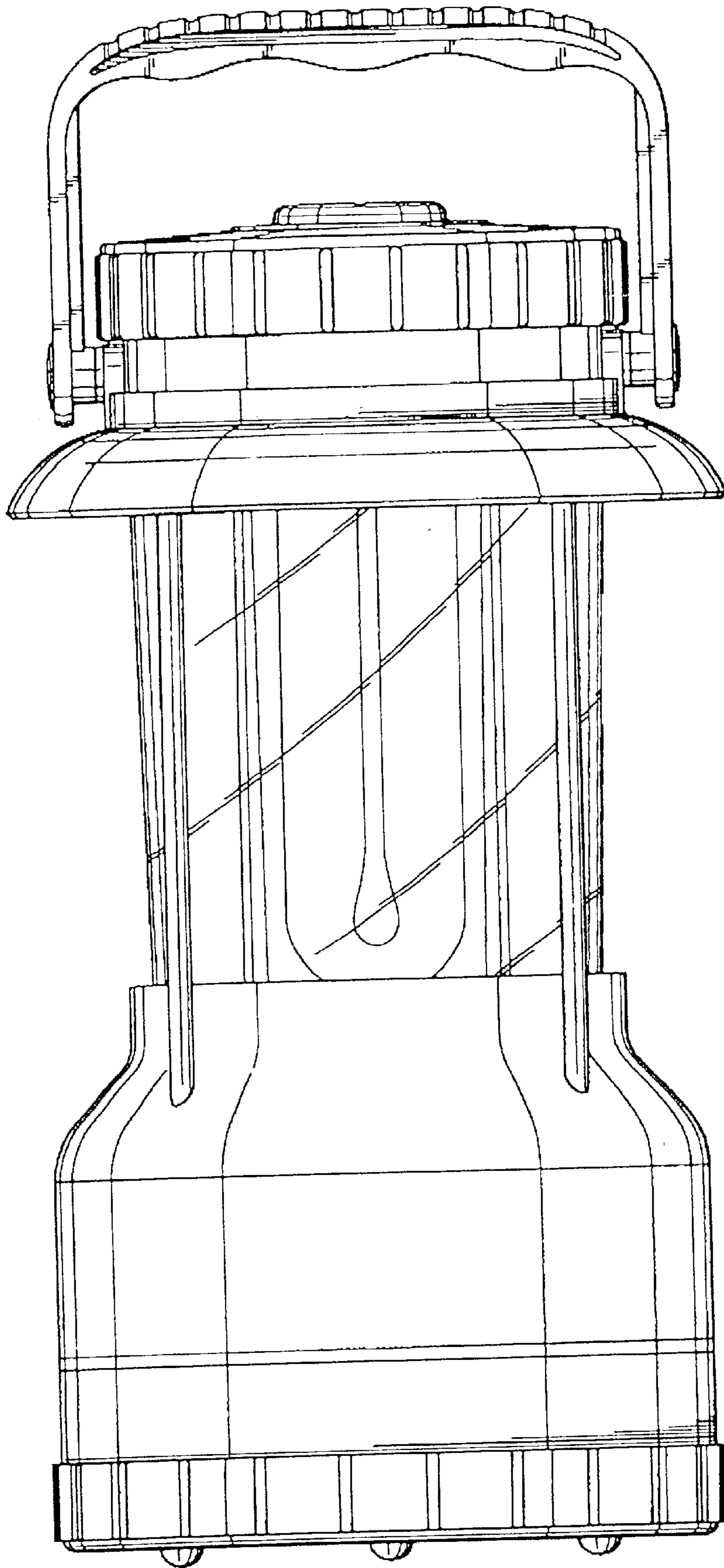


FIG. 4

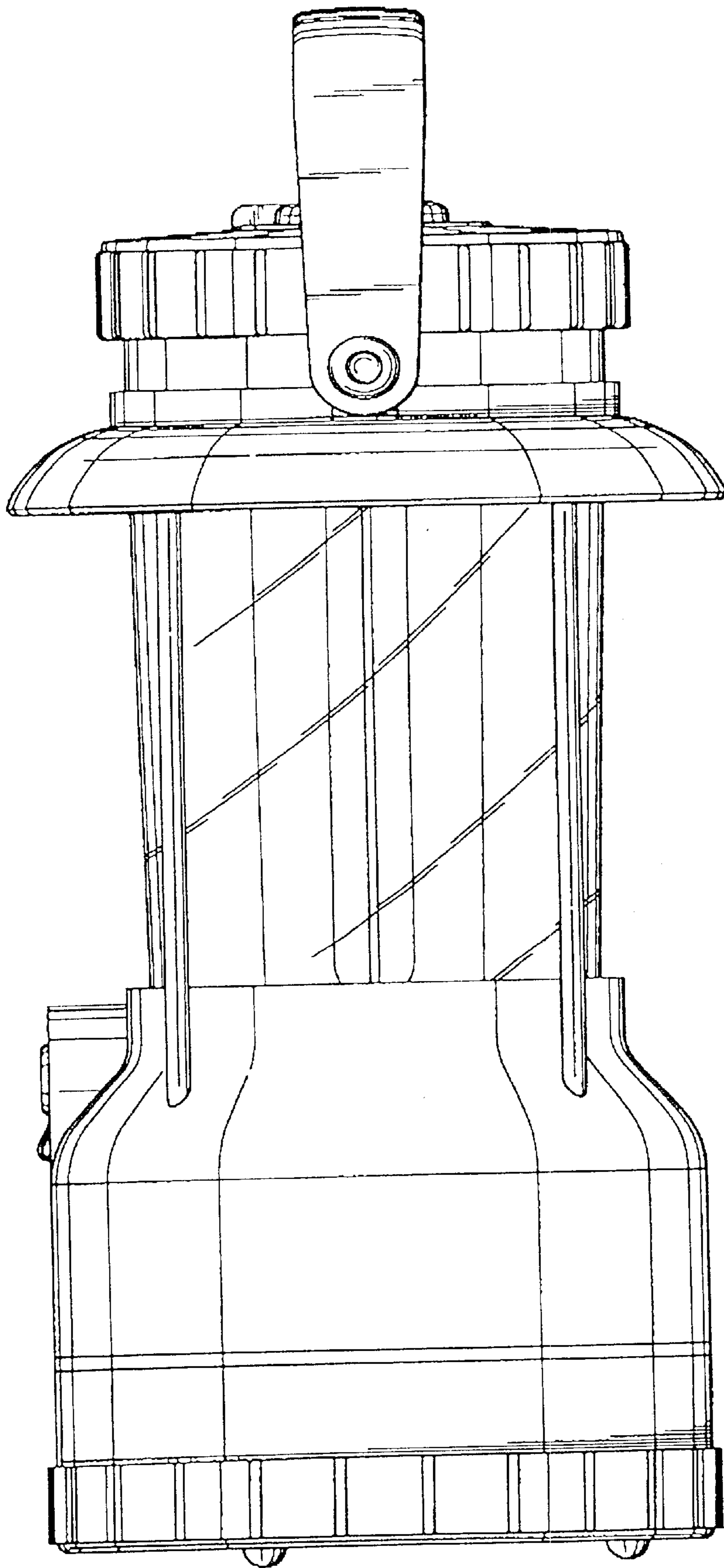


FIG. 5

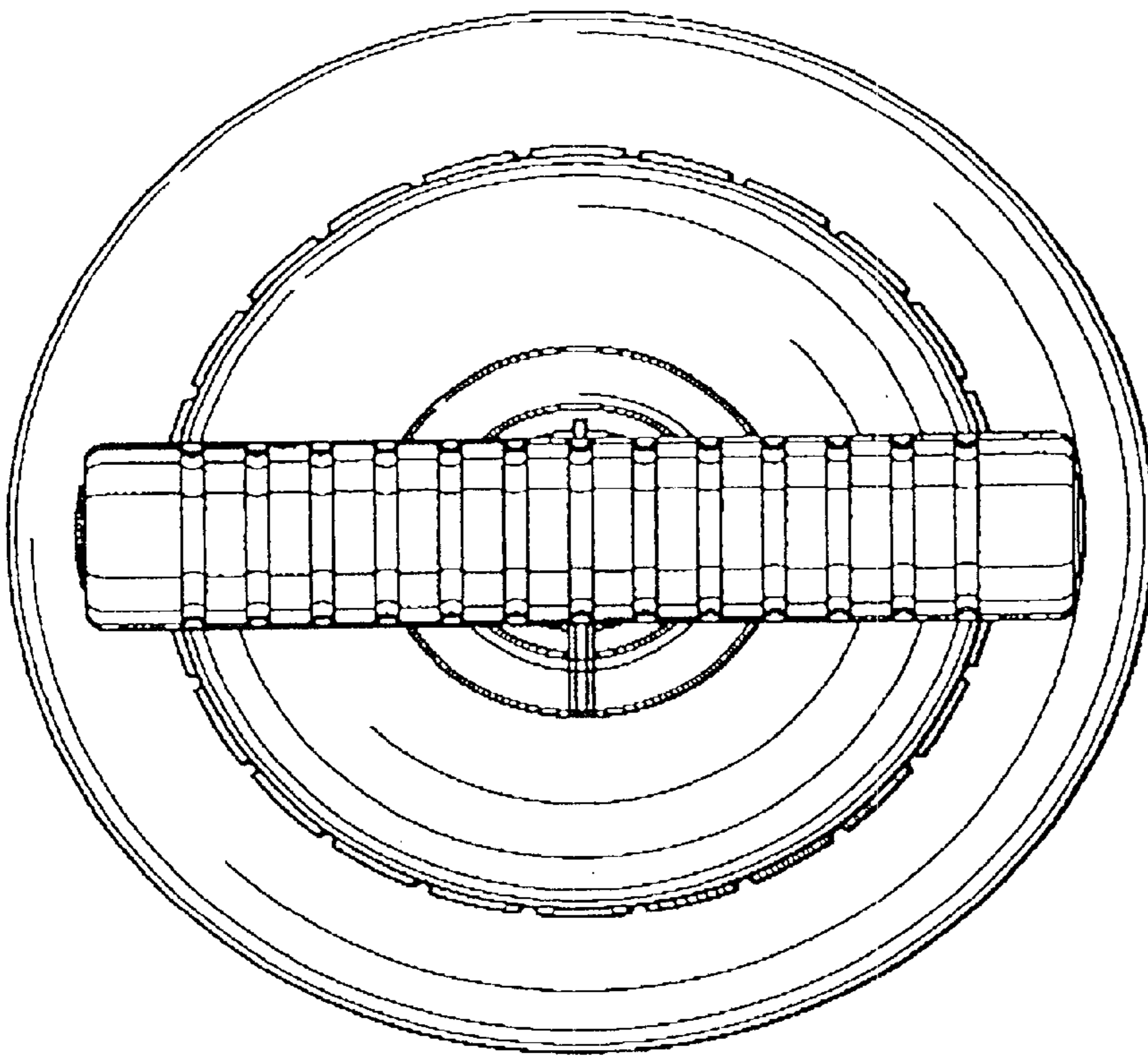


FIG. 6

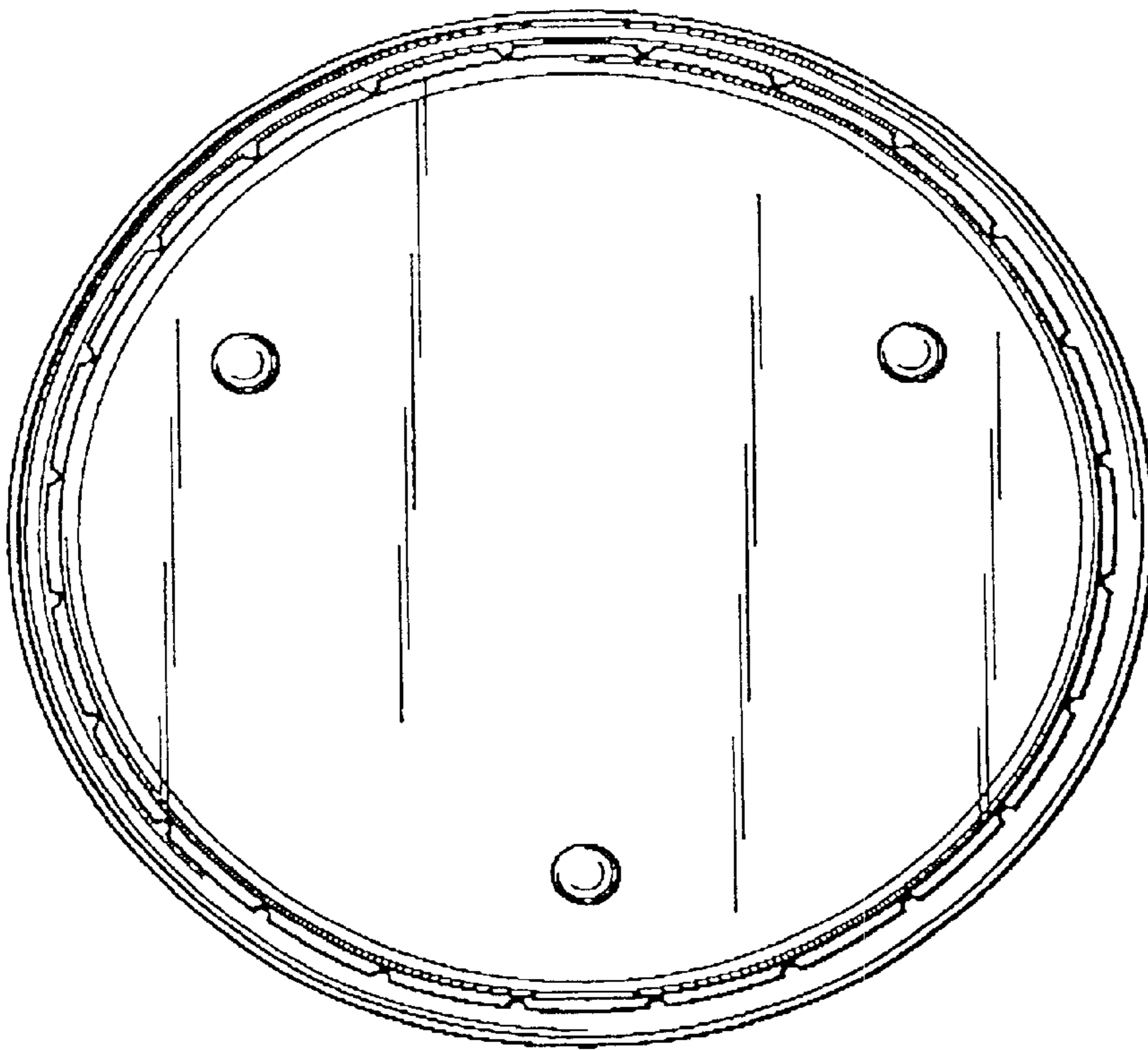


FIG. 7