



US00D468038S

(12) **United States Design Patent**
Poon

(10) **Patent No.:** **US D468,038 S**

(45) **Date of Patent:** **** Dec. 31, 2002**

(54) **PORTABLE RECHARGEABLE BATTERY
PACK WITH SPOTLIGHT**

(75) **Inventor:** **Tit Wing Poon, Shatin (CN)**

(73) **Assignee:** **Flying Dragon Development Ltd.,
Shatin (CN)**

(**) **Term:** **14 Years**

(21) **Appl. No.:** **29/156,103**

(22) **Filed:** **Feb. 22, 2002**

(30) **Foreign Application Priority Data**

Aug. 24, 2001 (HK) 0111279

(51) **LOC (7) Cl.** **26-02**

(52) **U.S. Cl.** **D26/38**

(58) **Field of Search** D26/37-50; 362/157,
362/158, 171, 172, 173, 183-208

(56) **References Cited**

U.S. PATENT DOCUMENTS

D441,110 S * 4/2001 Lam D26/38

D445,519 S * 7/2001 Burns D26/38

* cited by examiner

Primary Examiner—Marcus A. Jackson
(74) *Attorney, Agent, or Firm*—Alix, Yale & Ristas, LLP

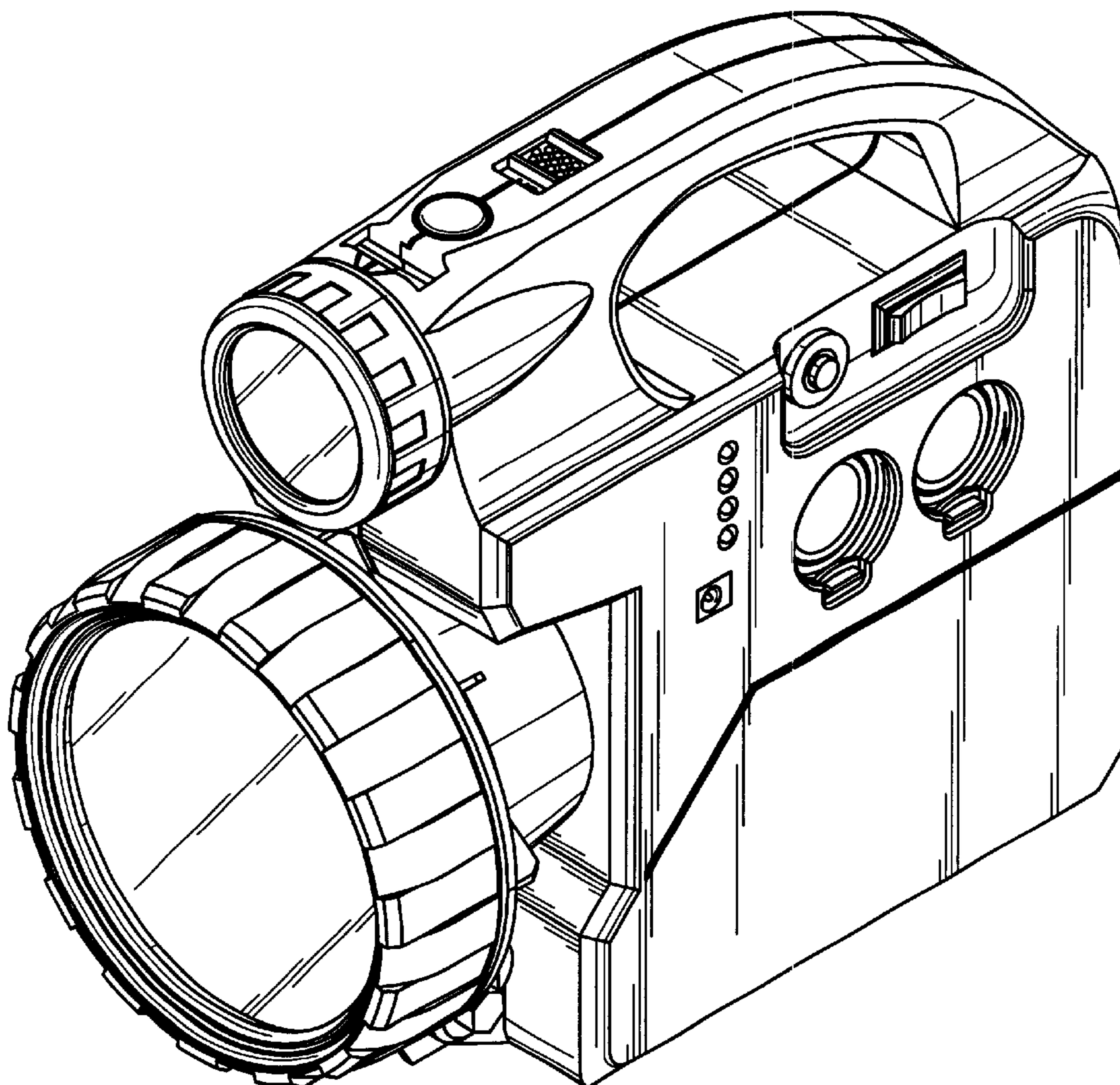
(57) **CLAIM**

The ornamental design for a portable rechargeable battery pack with spotlight, as shown and described.

DESCRIPTION

FIG. 1 is a front perspective view of the portable rechargeable battery pack with spotlight showing my new design; FIG. 2 is a front view of the portable rechargeable battery pack with spotlight of FIG. 1; FIG. 3 is a rear view of the portable rechargeable battery pack with spotlight of FIG. 1; FIG. 4 is a left side view of the portable rechargeable battery pack with spotlight of FIG. 1; FIG. 5 is a right side view of the portable rechargeable battery pack with spotlight of FIG. 1; FIG. 6 is a top plan view of the portable rechargeable battery pack with spotlight of FIG. 1; and, FIG. 7 is a bottom plan view of the portable rechargeable battery pack with spotlight of FIG. 1.

1 Claim, 5 Drawing Sheets



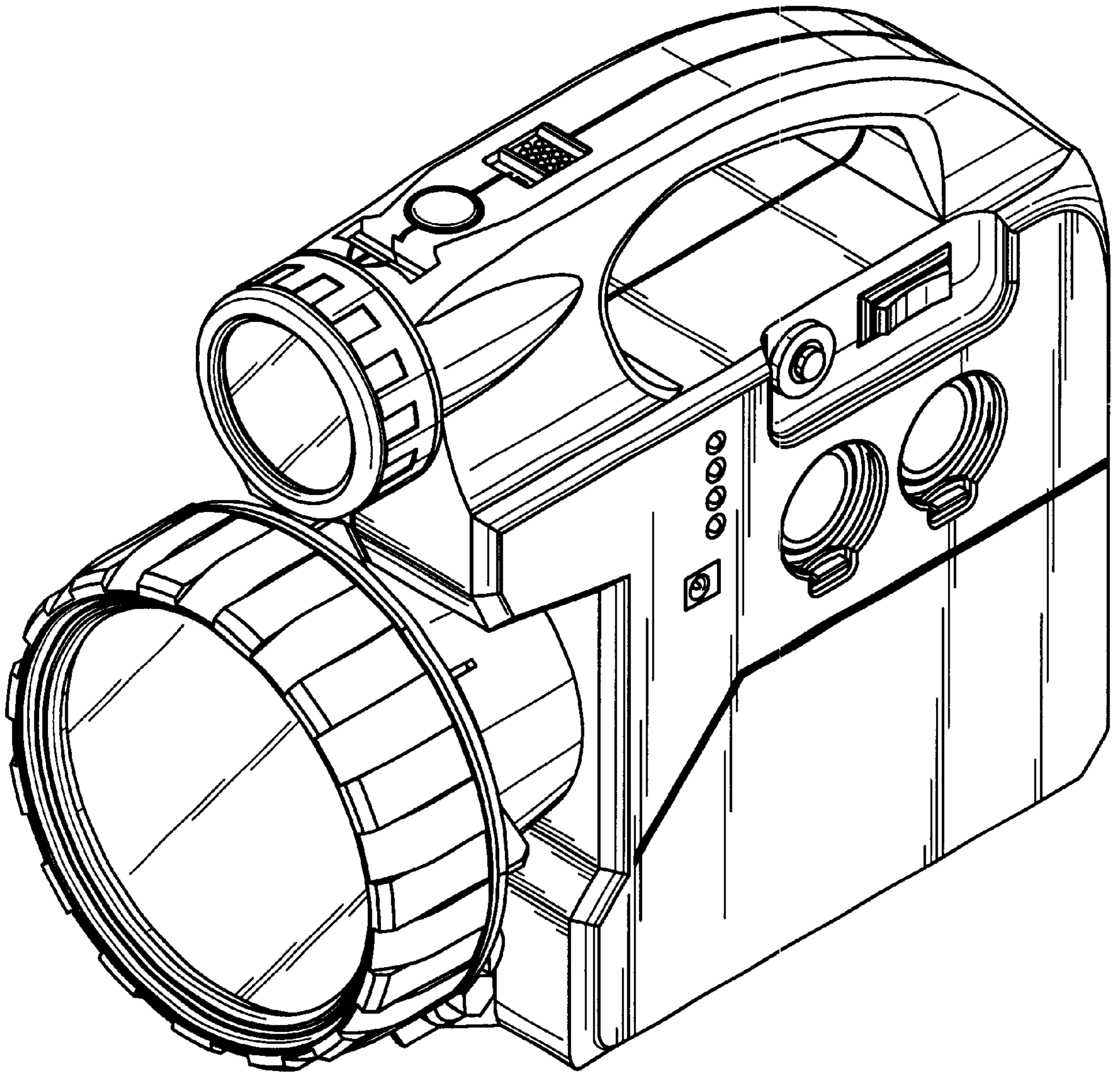


FIG. 1

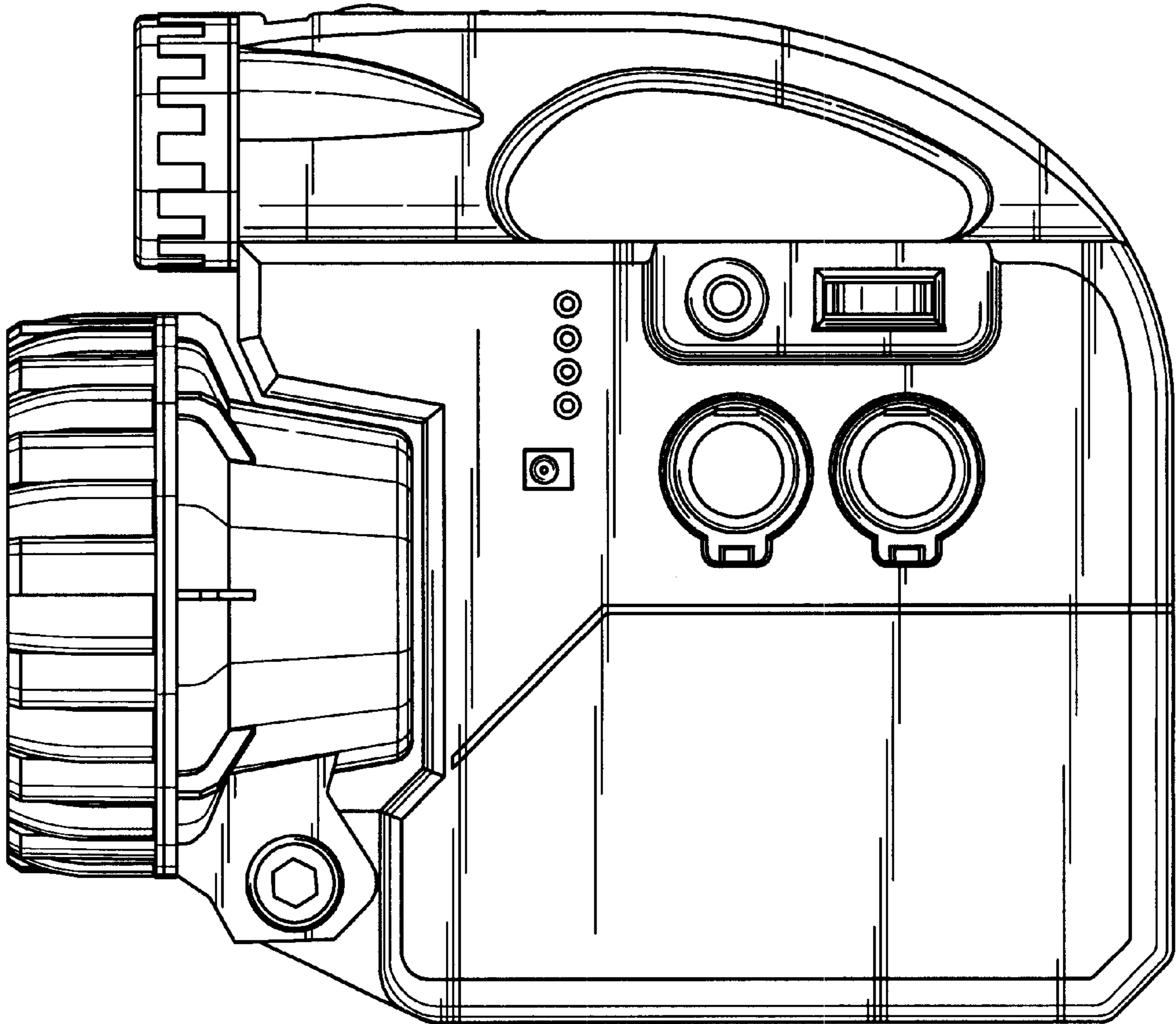


FIG. 2

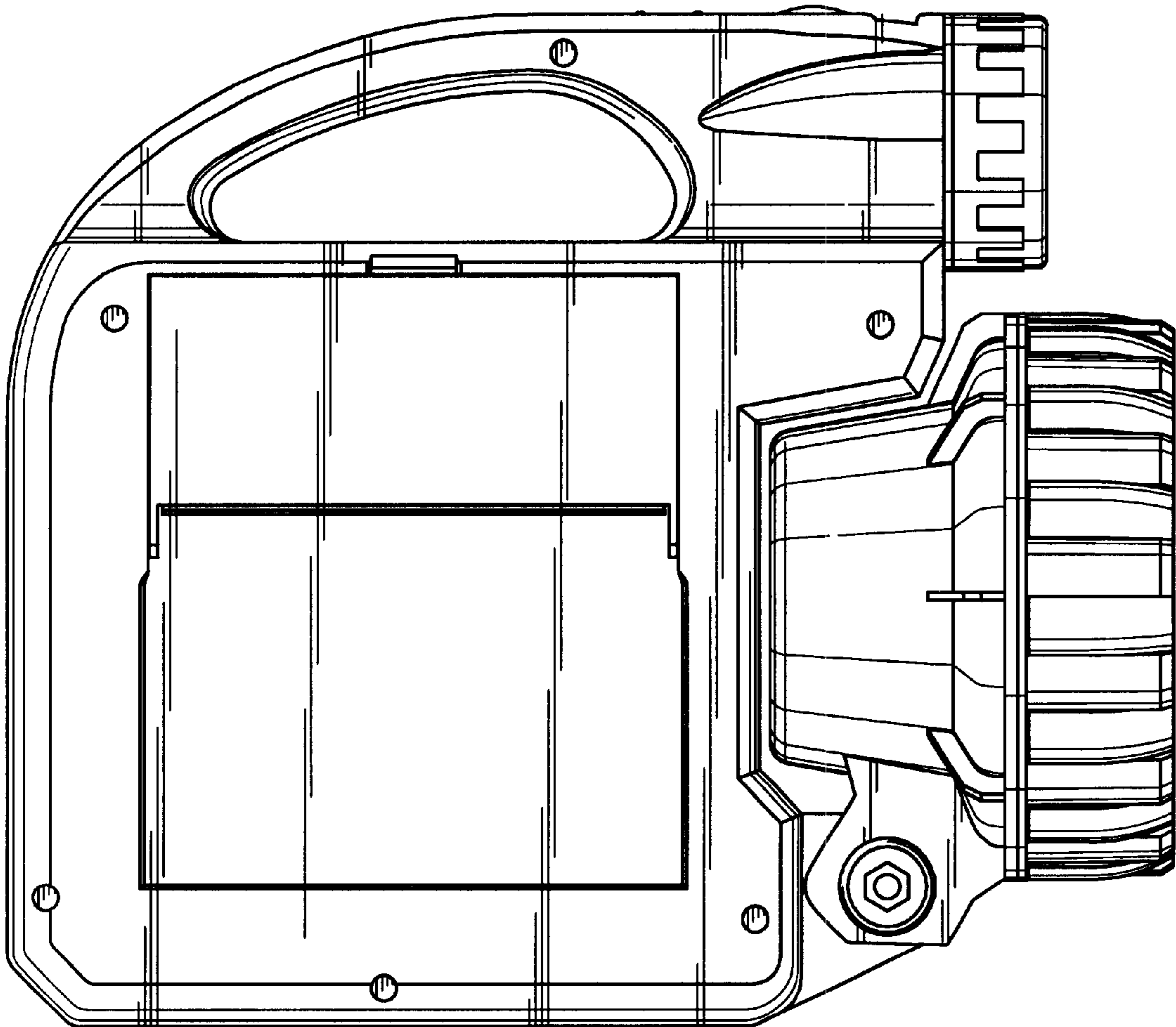


FIG. 3

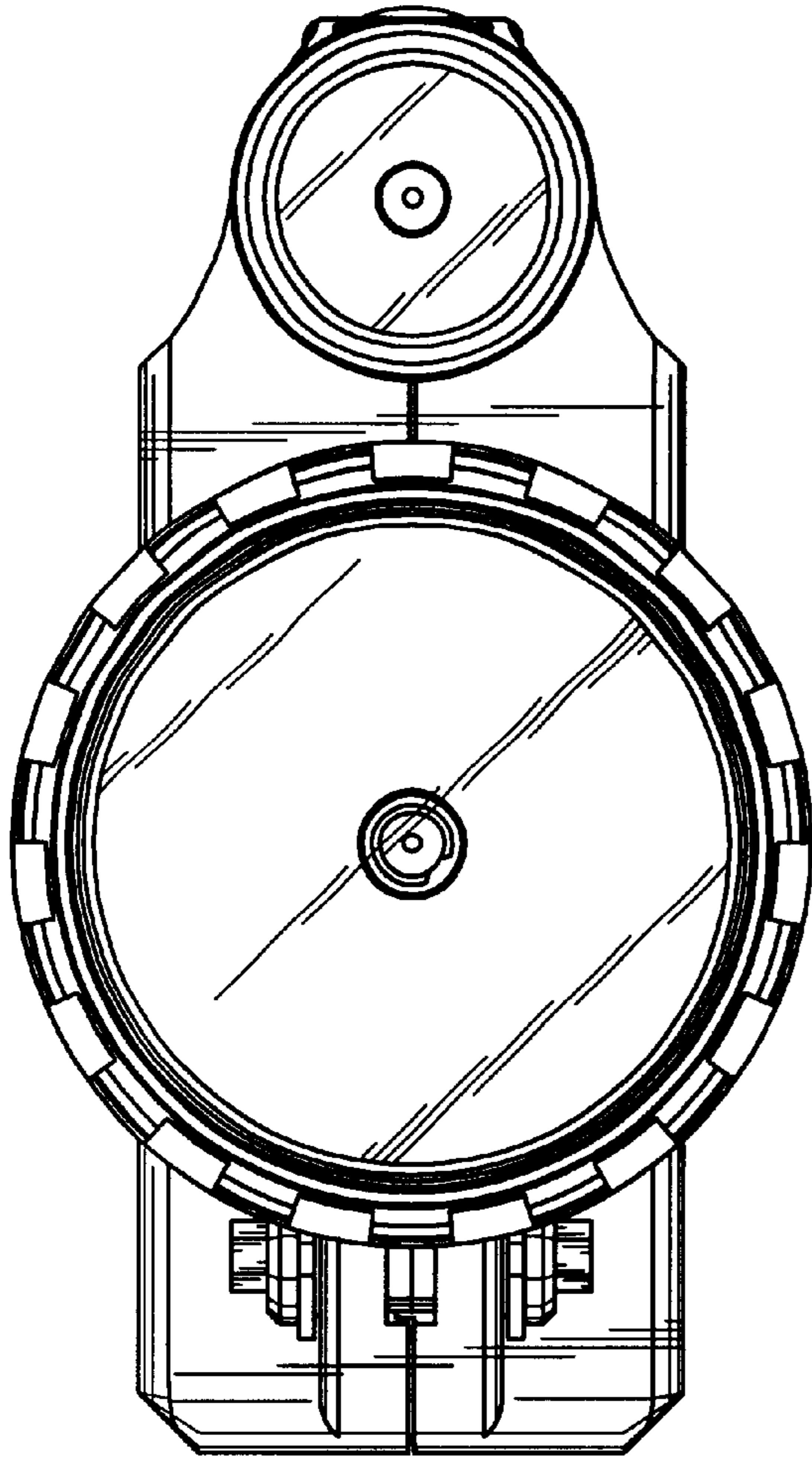


FIG. 4

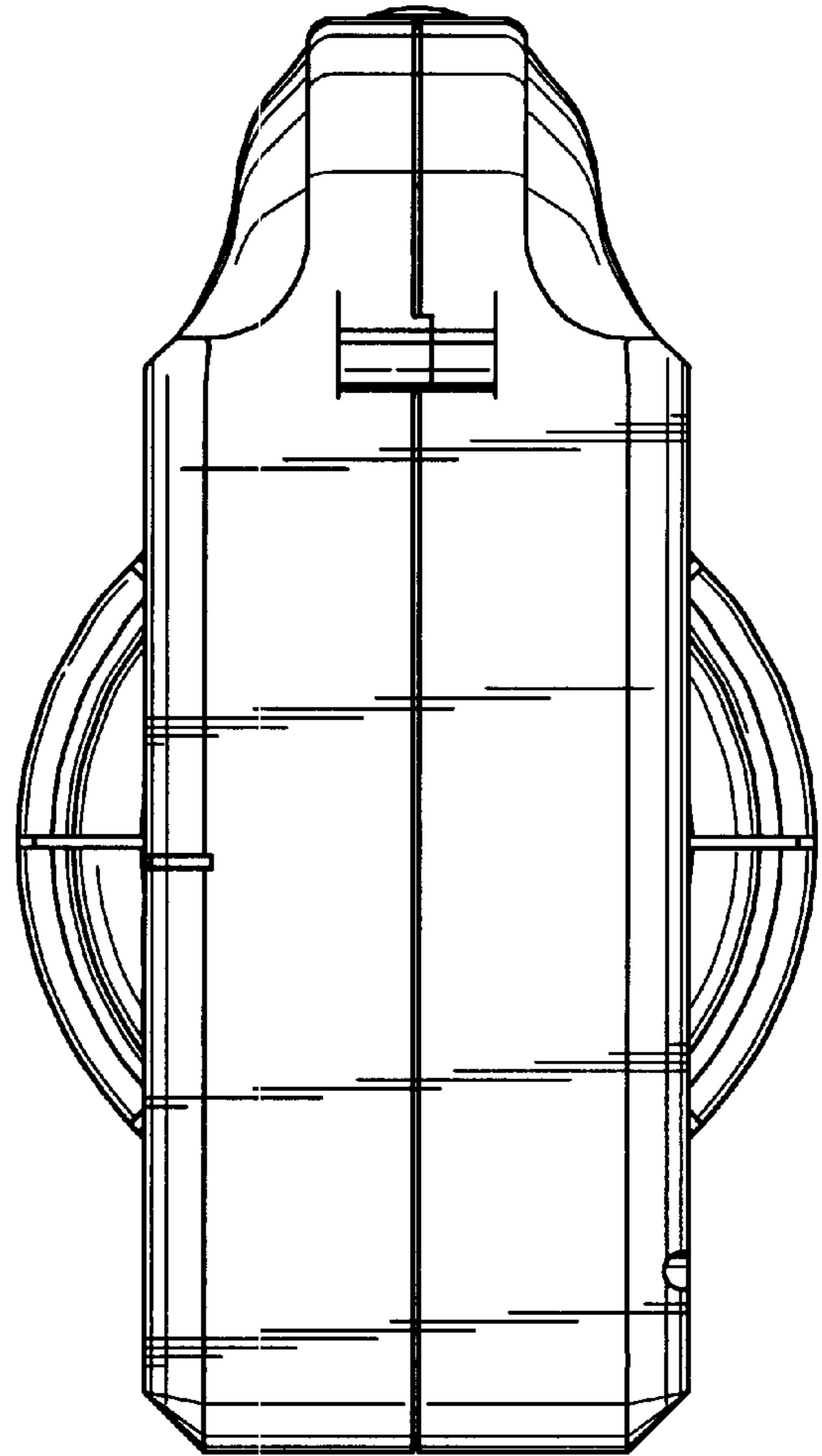


FIG. 5

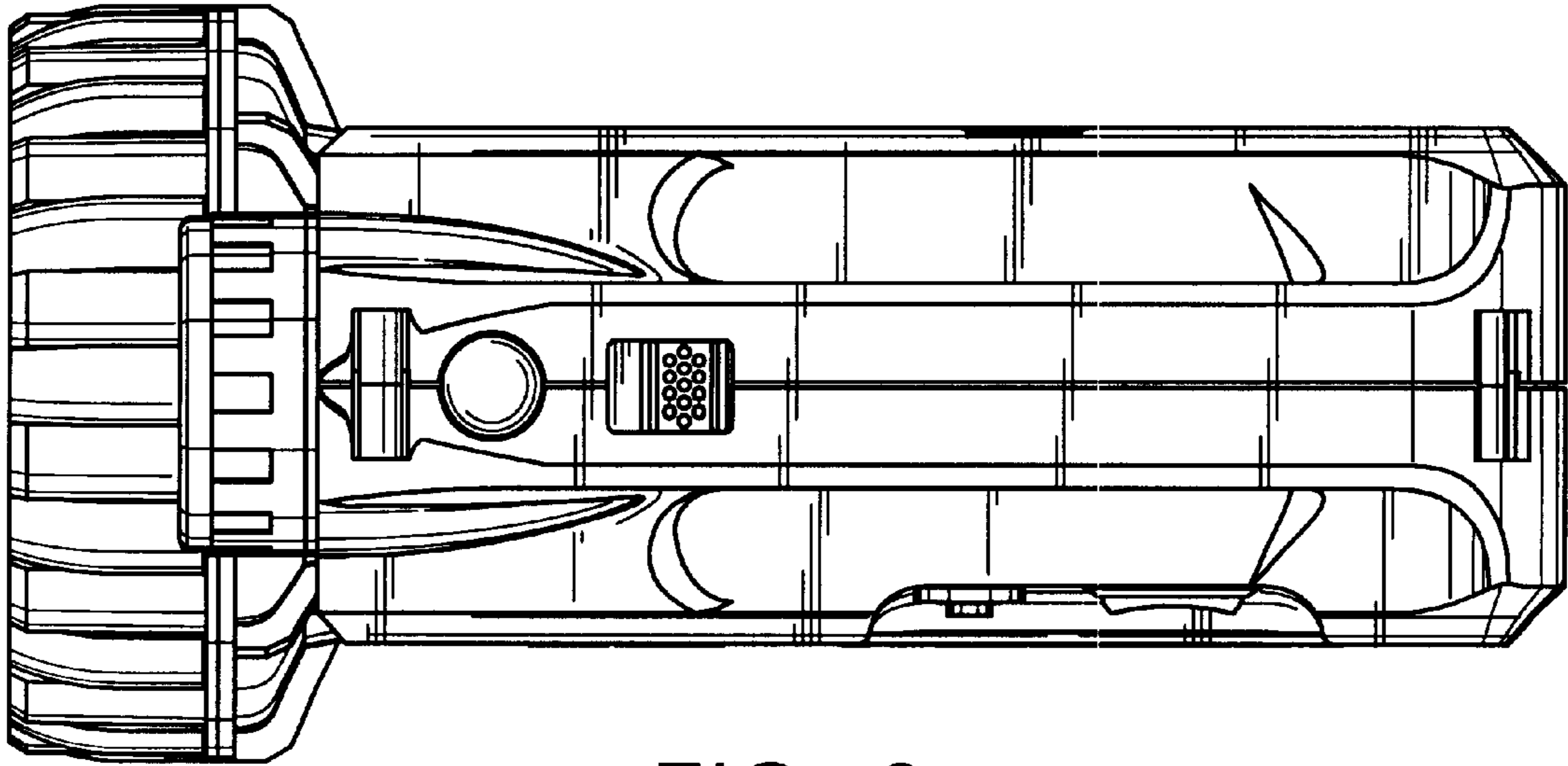


FIG. 6

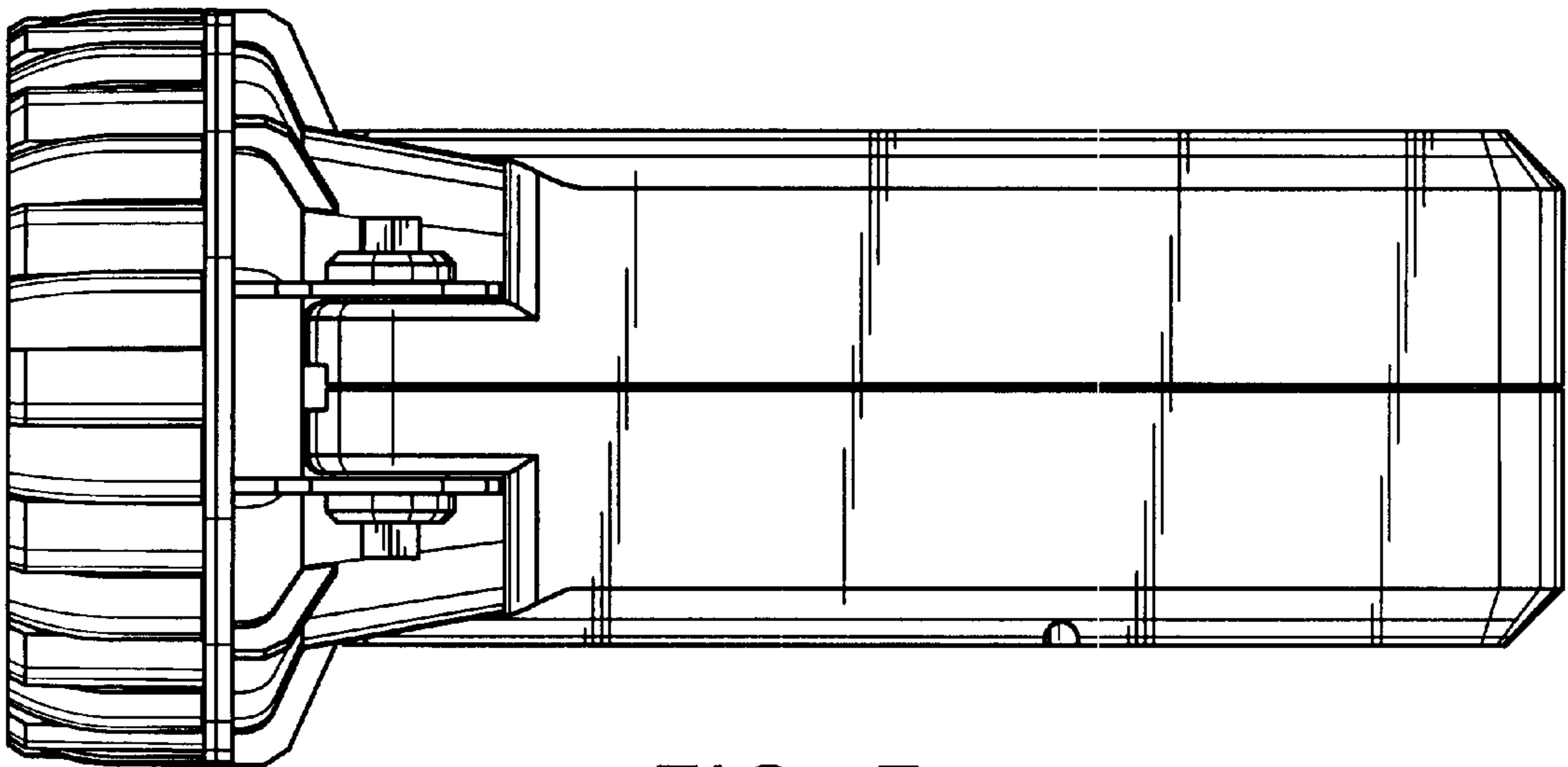


FIG. 7