



US00D468037S

(12) **United States Design Patent**
Jarvis

(10) **Patent No.:** **US D468,037 S**

(45) **Date of Patent:** **** Dec. 31, 2002**

(54) **LIGHT BOX**

5,876,262 A 3/1999 Kelly et al.
D439,351 S * 3/2001 Kiba et al. D26/37

(75) Inventor: **Brian Marc Jarvis**, Bristol, RI (US)

* cited by examiner

(73) Assignee: **Hasbro, Inc.**, Pawtucket, RI (US)

Primary Examiner—Marcus A. Jackson

(**) Term: **14 Years**

(74) *Attorney, Agent, or Firm*—Kurt R. Benson

(21) Appl. No.: **29/156,458**

(57) **CLAIM**

(22) Filed: **Mar. 4, 2002**

The ornamental design for a light box, as shown.

(51) **LOC (7) Cl.** **26-02**

(52) **U.S. Cl.** **D26/37**

(58) **Field of Search** D26/37-50; 362/157,
362/158, 171, 172, 173, 183-208

DESCRIPTION

FIG. 1 is a perspective view of the light box of the instant invention;

FIG. 2 is a front elevational view thereof;

FIG. 3 is a rear elevational view thereof;

FIG. 4 is a right side elevational view thereof;

FIG. 5 is a left side elevational view thereof;

FIG. 6 is a top plan view thereof; and,

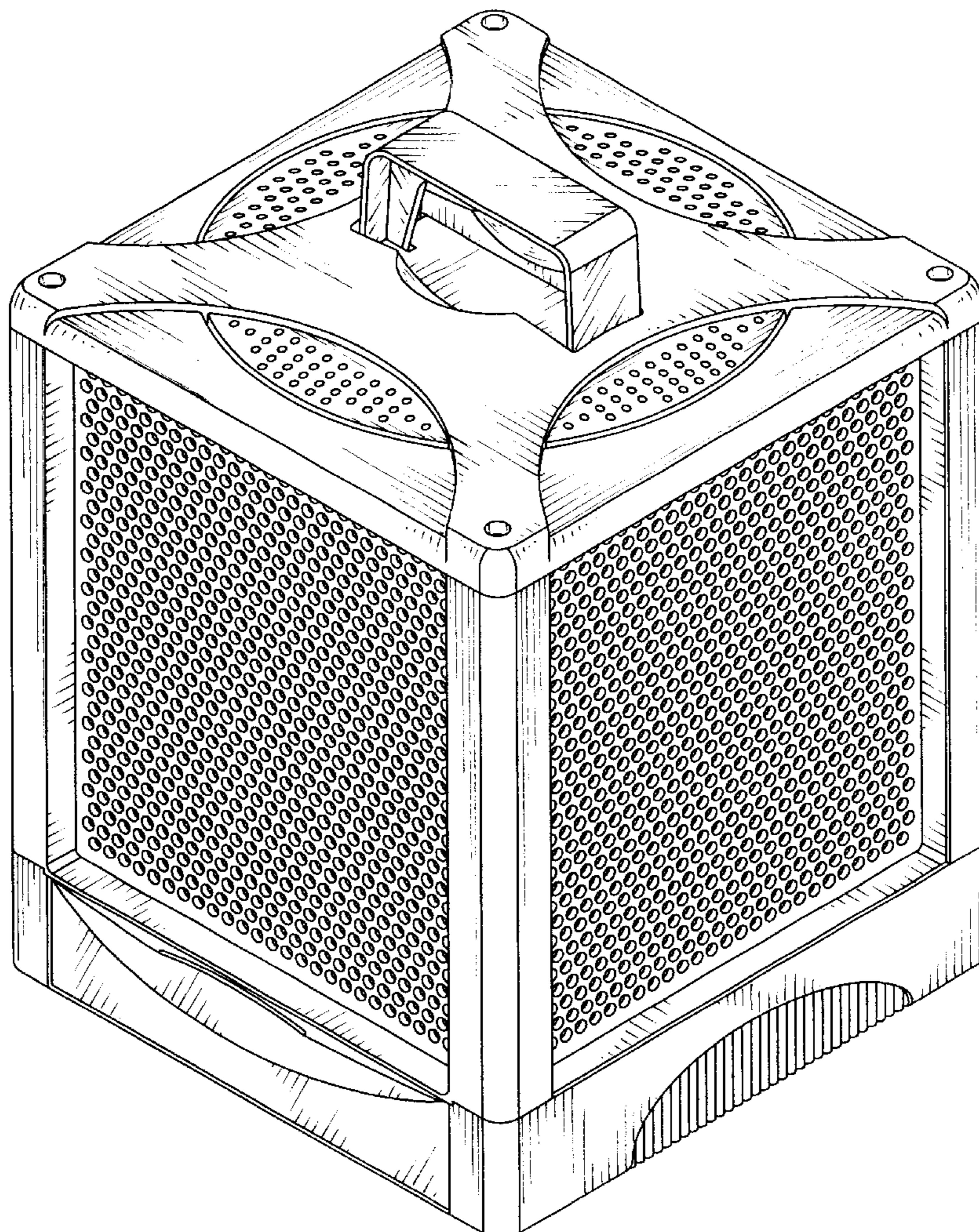
FIG. 7 is a bottom plan view thereof.

(56) **References Cited**

U.S. PATENT DOCUMENTS

- 3,067,536 A 12/1962 Brittsan
- D263,630 S * 3/1982 Wong D26/37
- 4,891,030 A 1/1990 Gertzfeld
- 5,174,757 A 12/1992 Jones

1 Claim, 7 Drawing Sheets



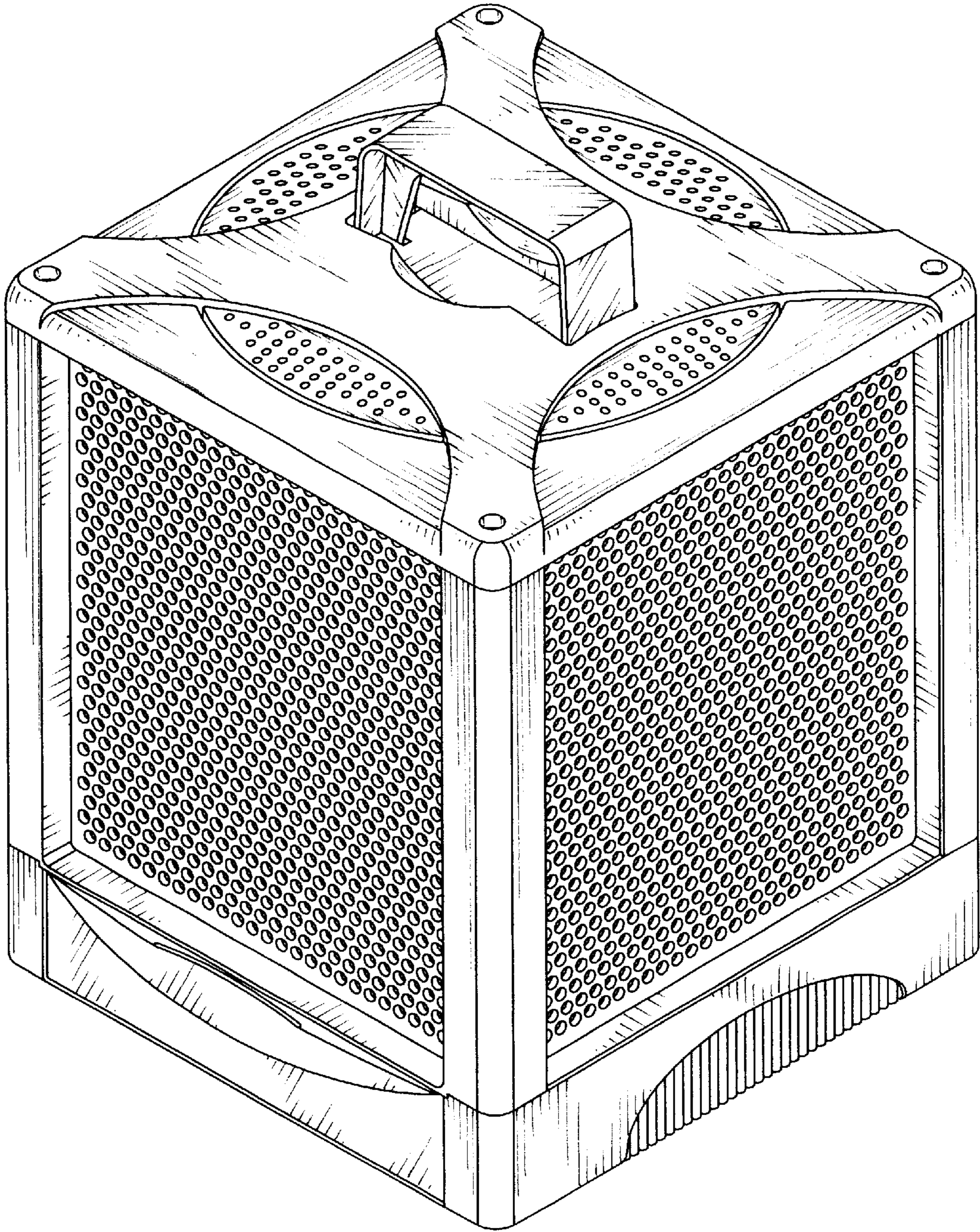


FIG. 1

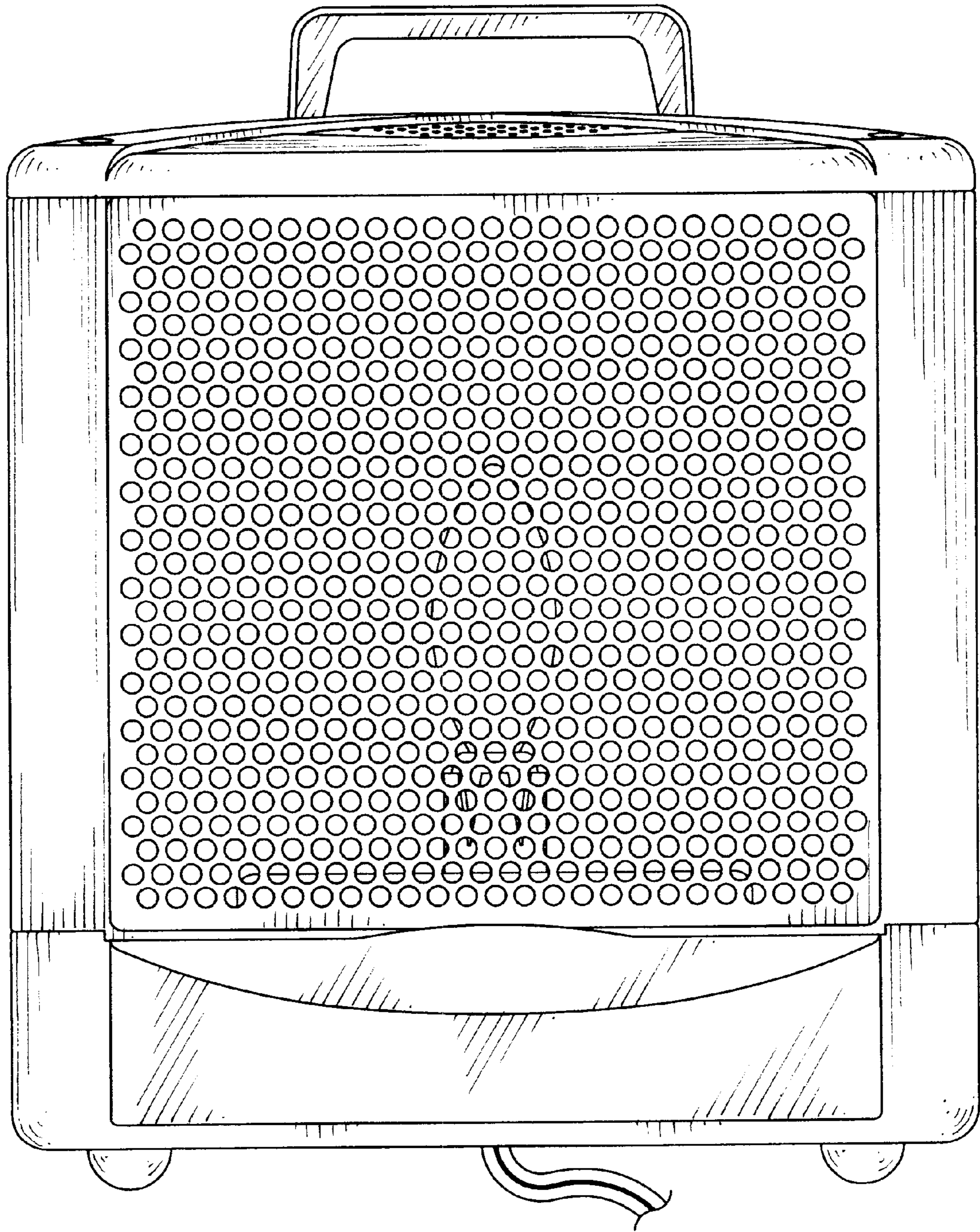


FIG. 2

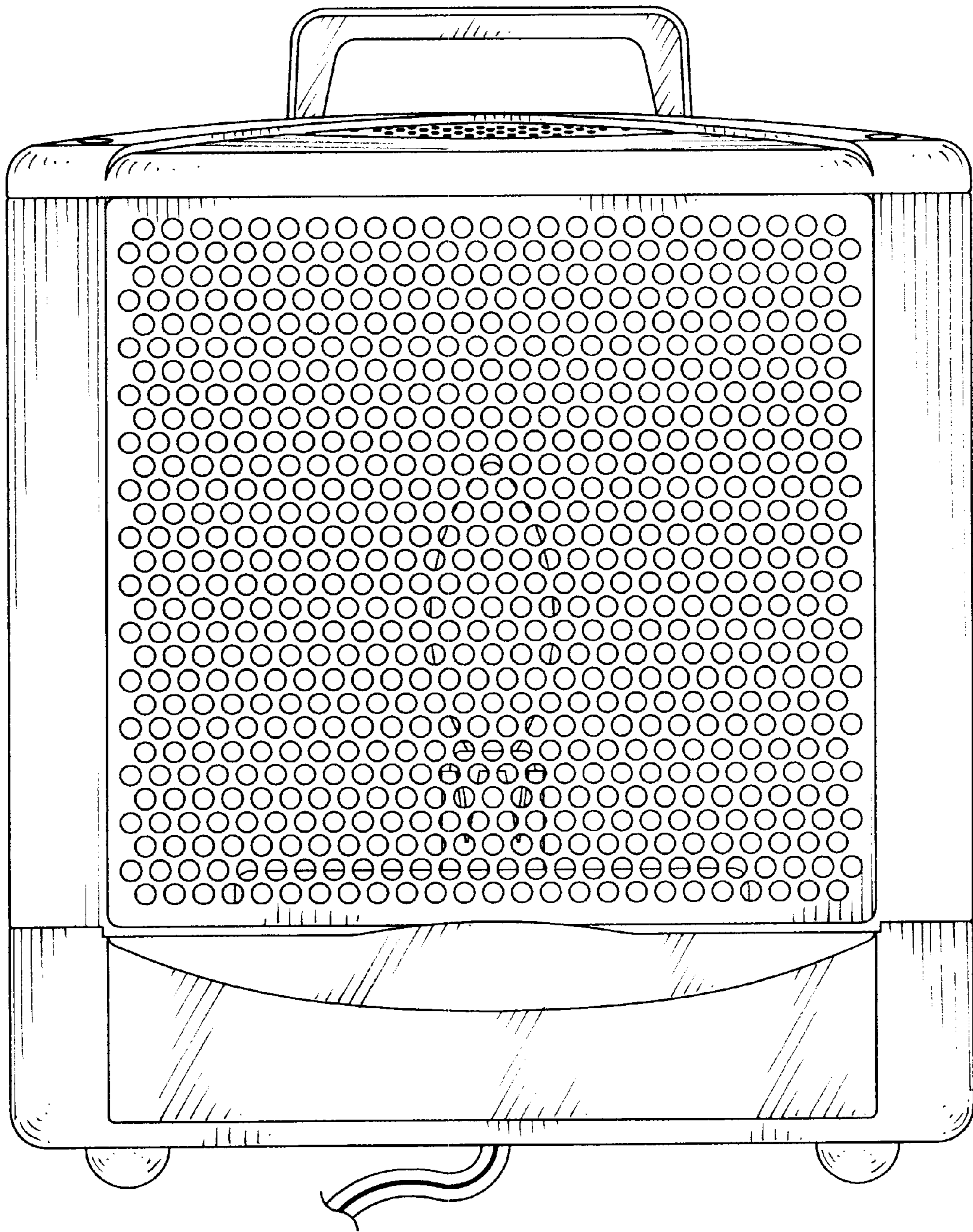


FIG. 3

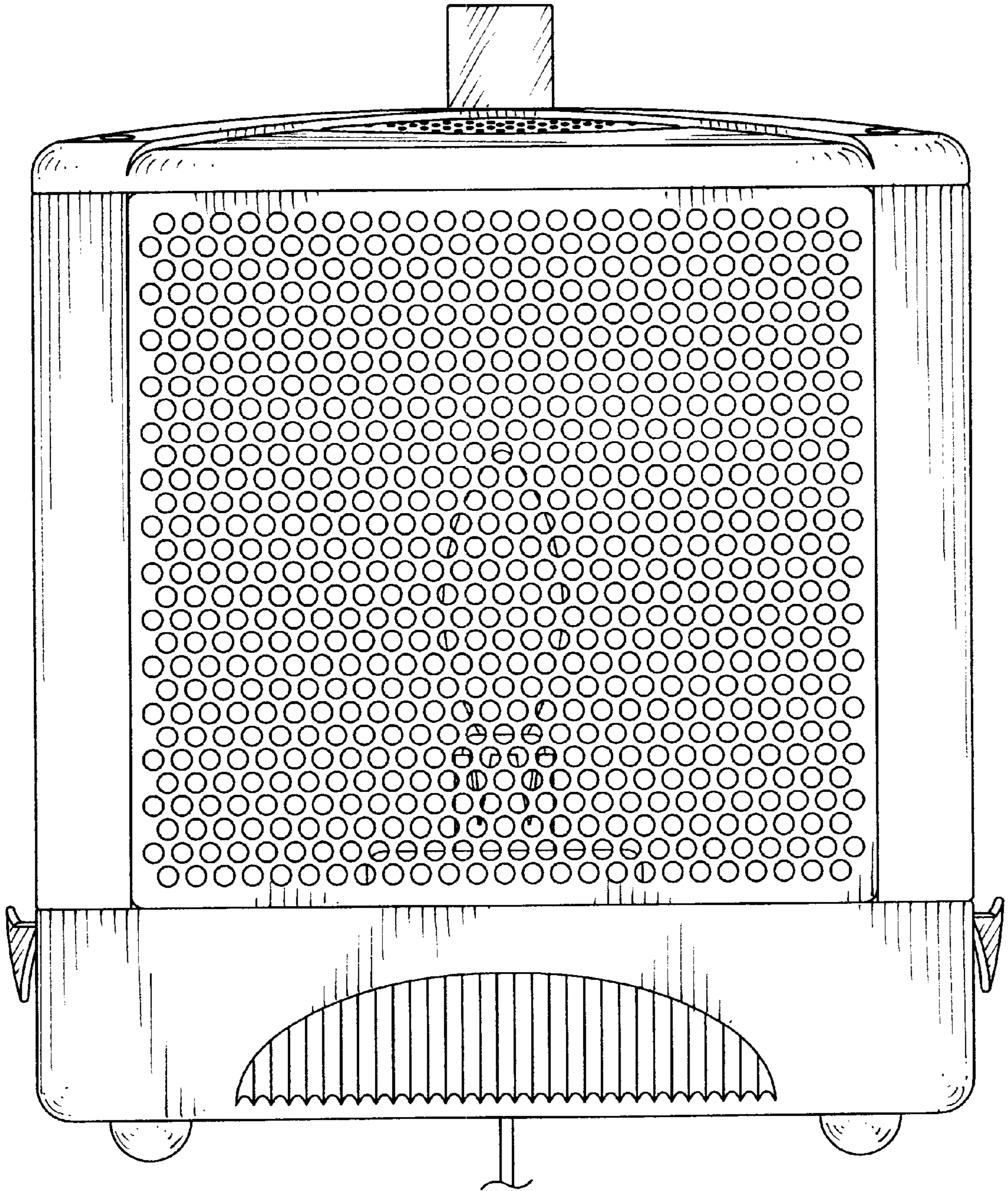


FIG. 4

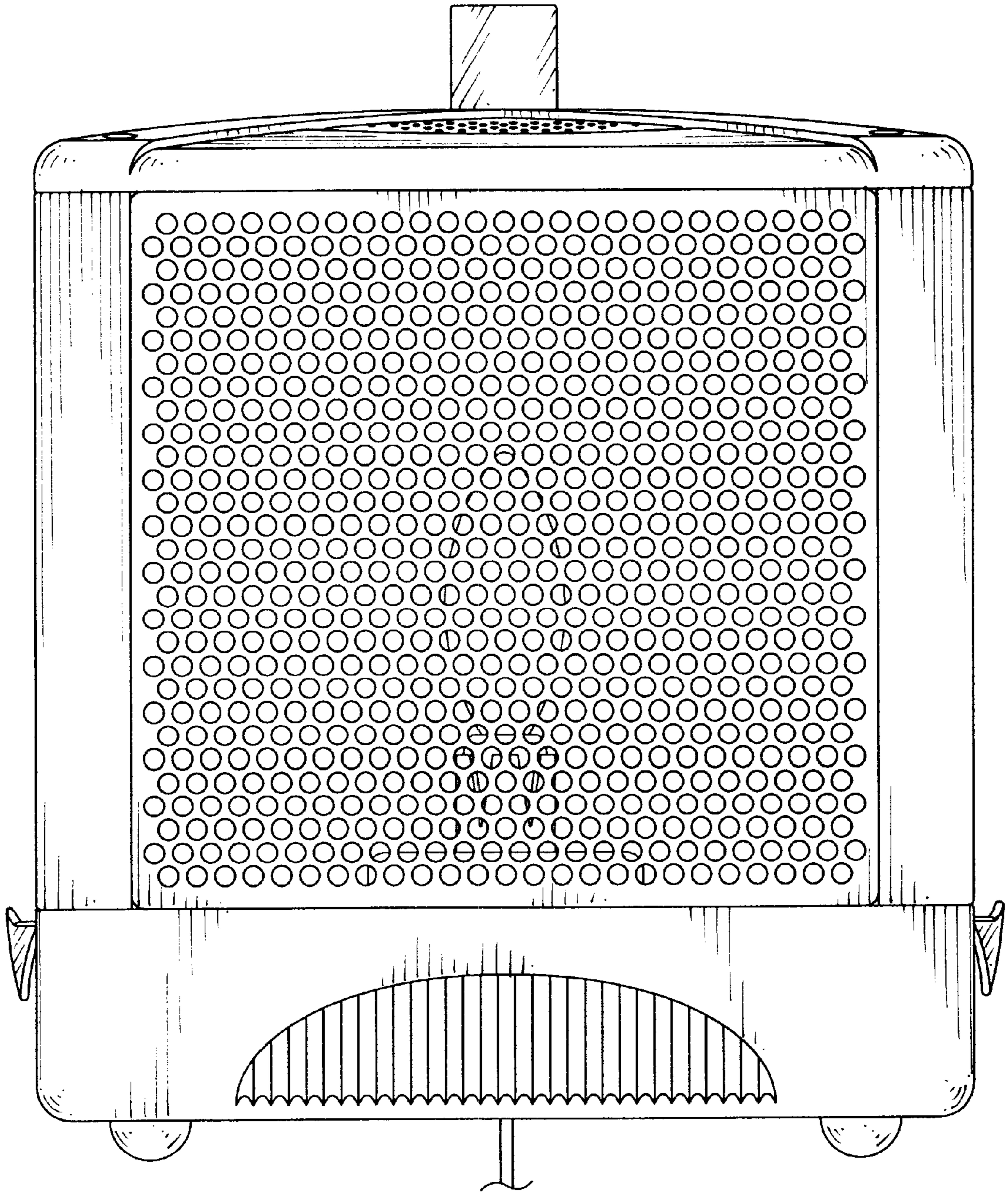


FIG. 5

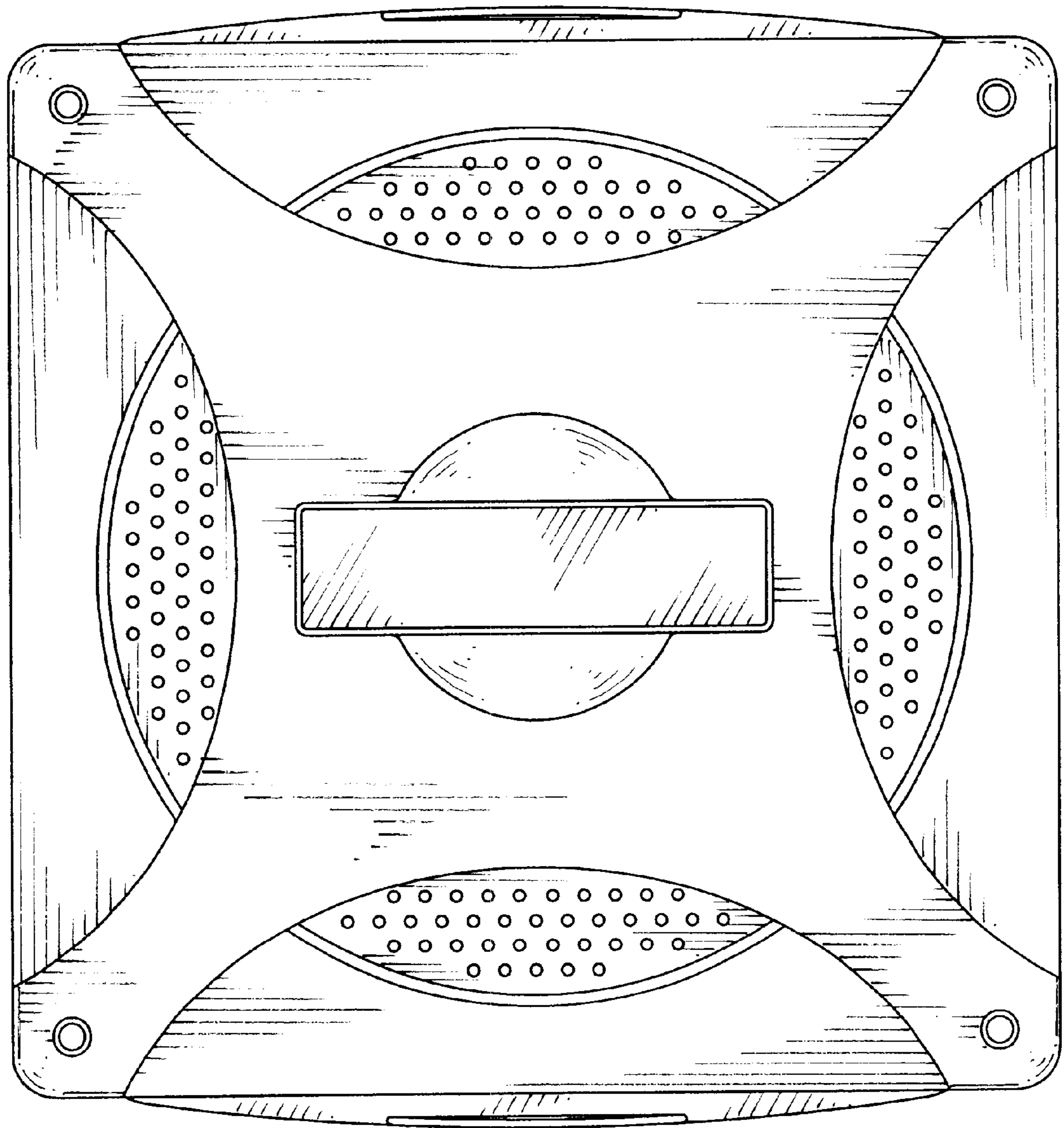


FIG. 6

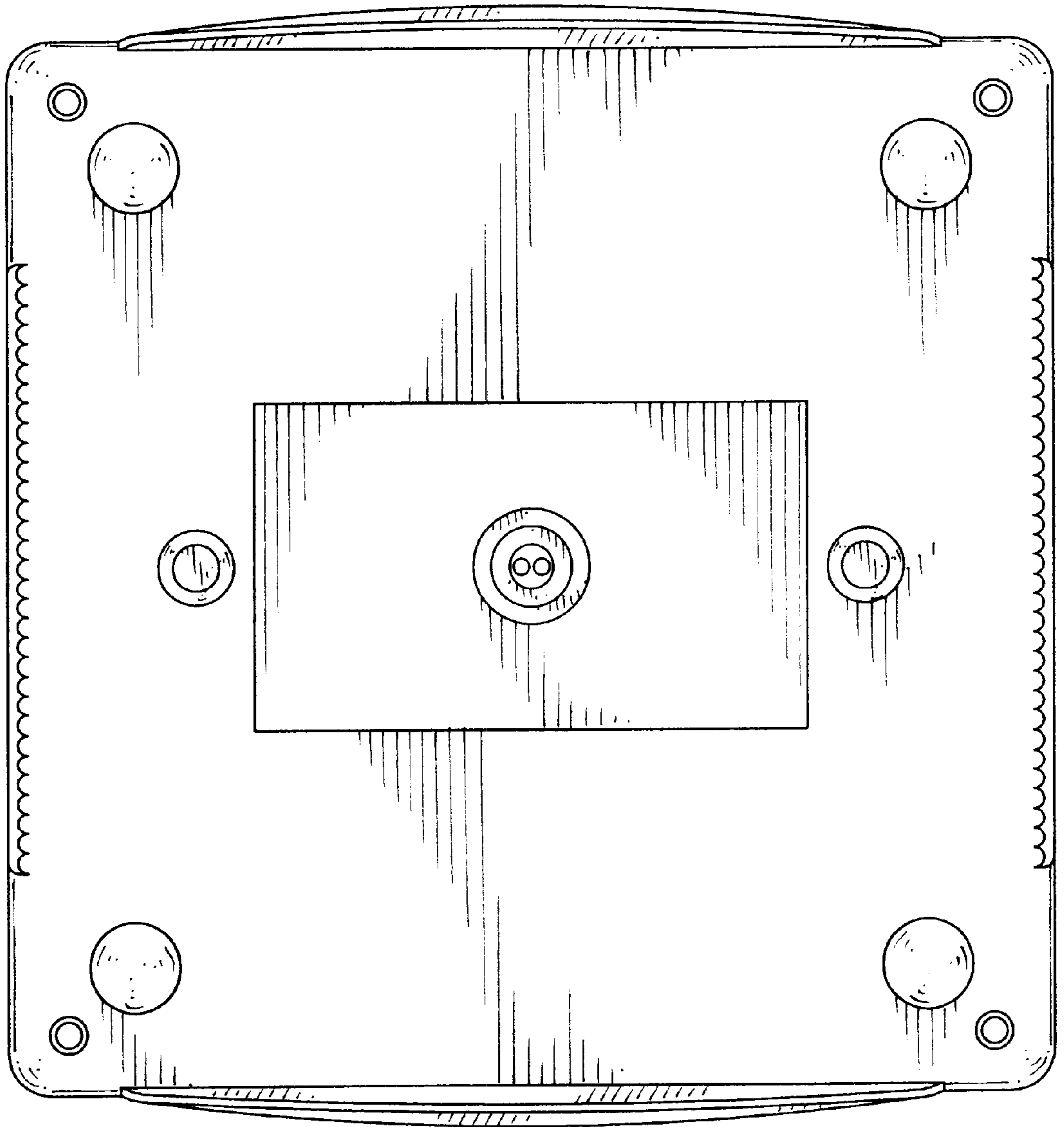


FIG. 7