



US00D468032S

(12) **United States Design Patent**  
**Grenell**

(10) **Patent No.:** **US D468,032 S**

(45) **Date of Patent:** **\*\* Dec. 31, 2002**

(54) **CANDLEHOLDER**

(76) Inventor: **David Grenell**, 55 Pearl St., North Woodmere, NY (US) 11581

(\*\*) Term: **14 Years**

(21) Appl. No.: **29/152,744**

(22) Filed: **Dec. 27, 2001**

(51) **LOC (7) Cl.** ..... **26-01**

(52) **U.S. Cl.** ..... **D26/13**

(58) **Field of Search** ..... D26/9, 10, 13;  
295/291, 295

(56) **References Cited**

**U.S. PATENT DOCUMENTS**

3,368,693 A \* 2/1968 Bochory ..... D26/13  
D344,146 S \* 2/1994 Wilton et al. .... D26/13

**OTHER PUBLICATIONS**

Hamakor Judaica, Inc. catalog 1981-82; item F p. 22.\*

\* cited by examiner

*Primary Examiner*—Robin V. Taylor

(74) *Attorney, Agent, or Firm*—Kirschstein et al.

(57) **CLAIM**

The ornamental design for a candleholder, as shown and described.

**DESCRIPTION**

FIG. 1 is a top plan view of a candleholder according to my new design;

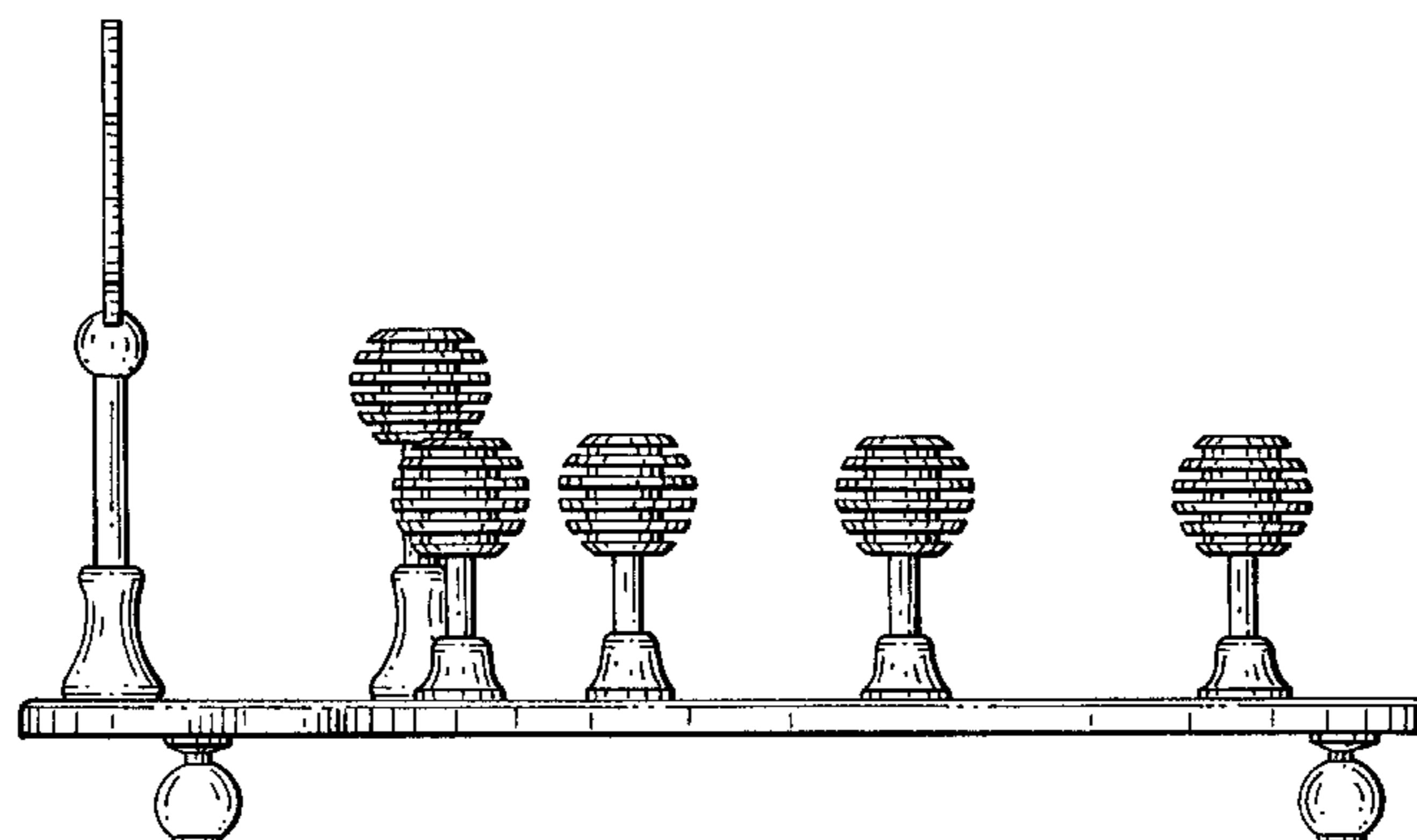
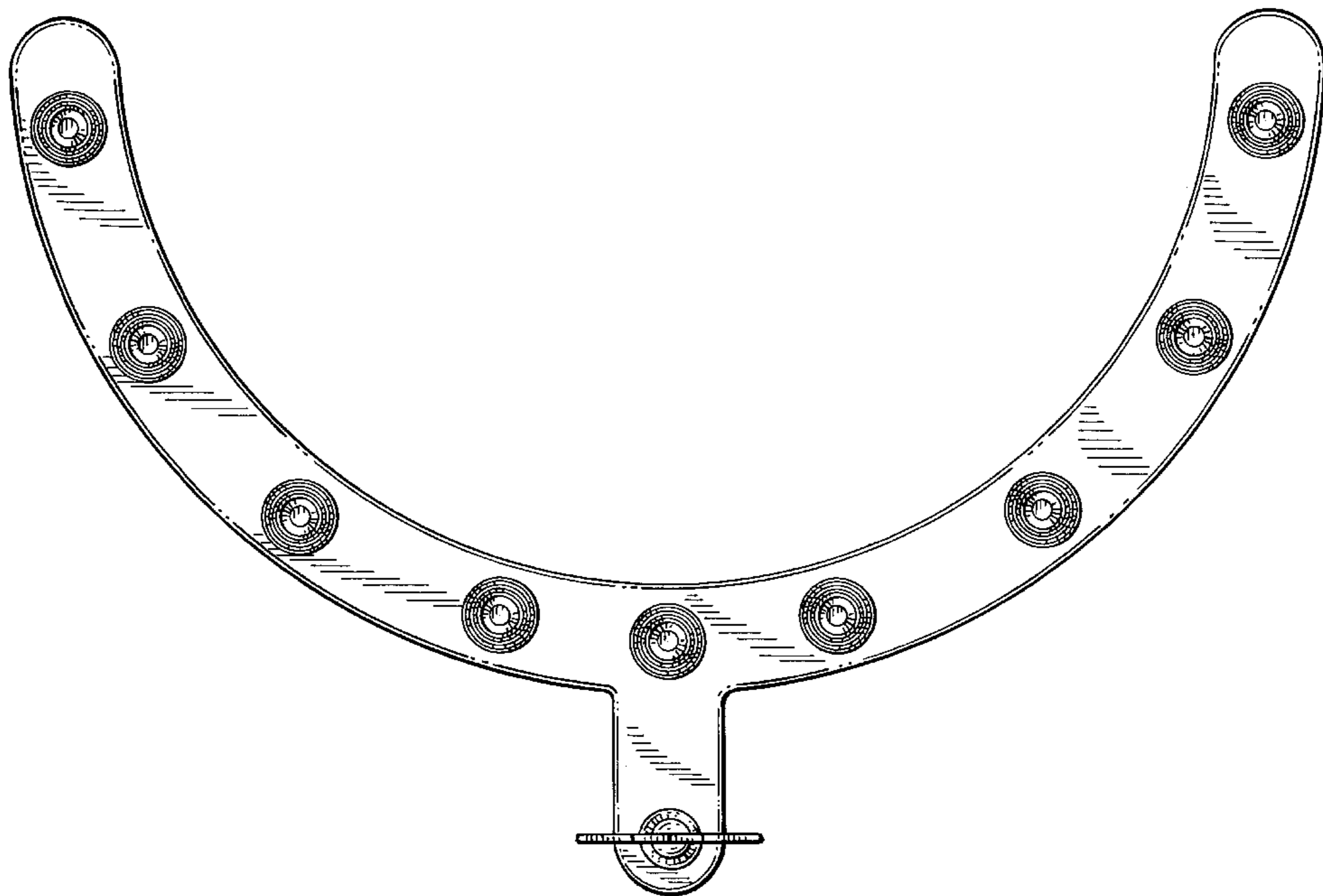
FIG. 2 is a front elevational view thereof;

FIG. 3 is a right side elevational view thereof, the left side elevational view being a mirror image;

FIG. 4 is a rear elevational view thereof; and,

FIG. 5 is a bottom plan view thereof.

**1 Claim, 5 Drawing Sheets**



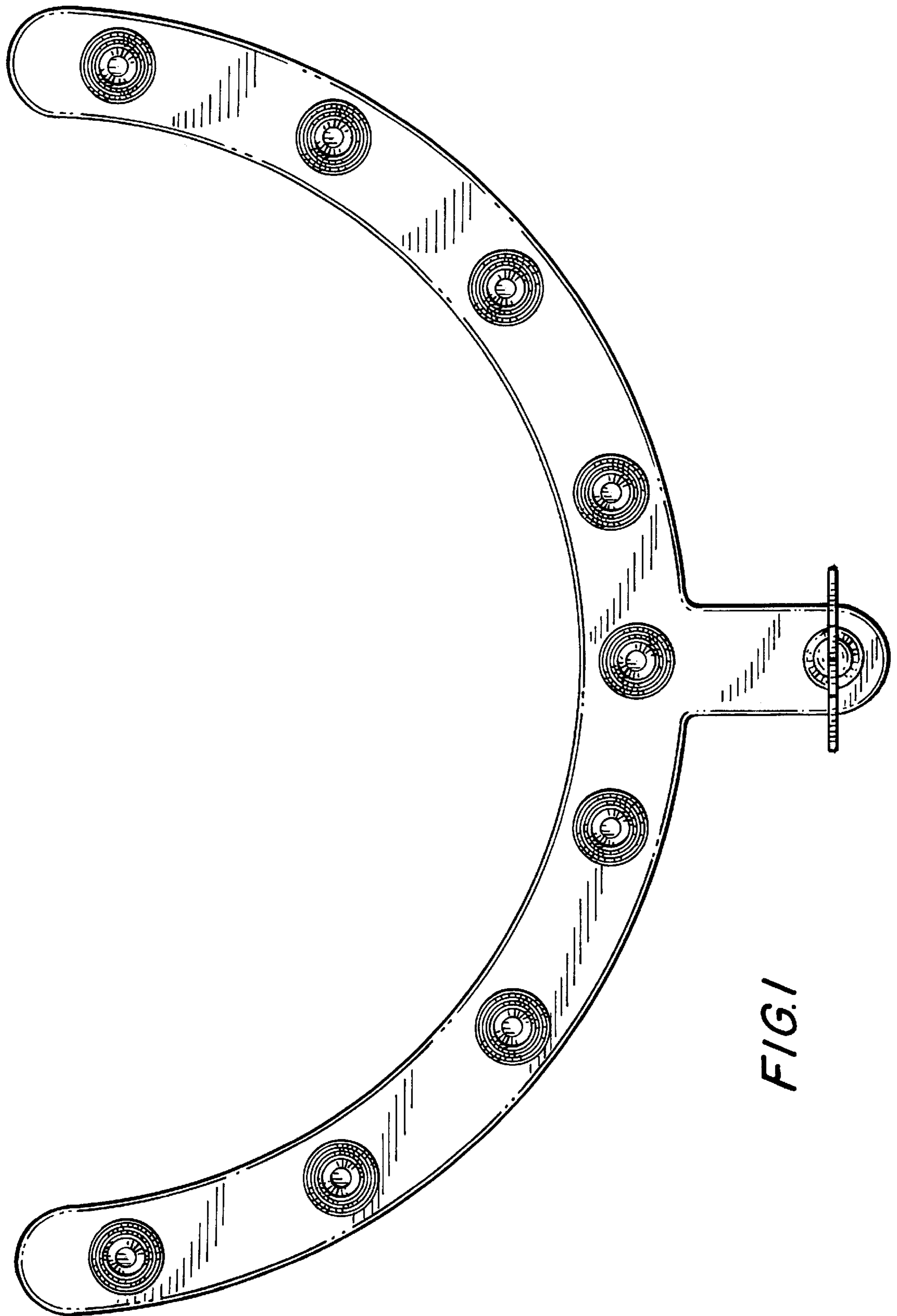


FIG. 1

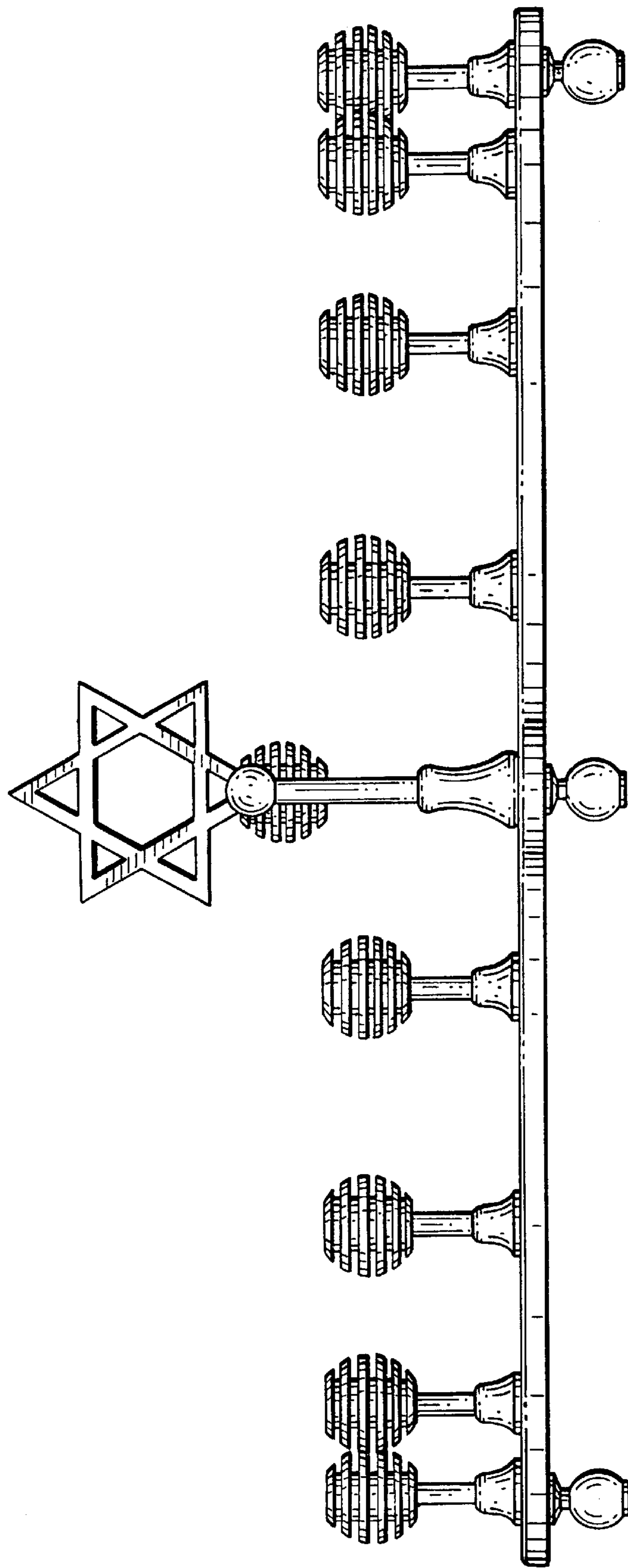


FIG. 2

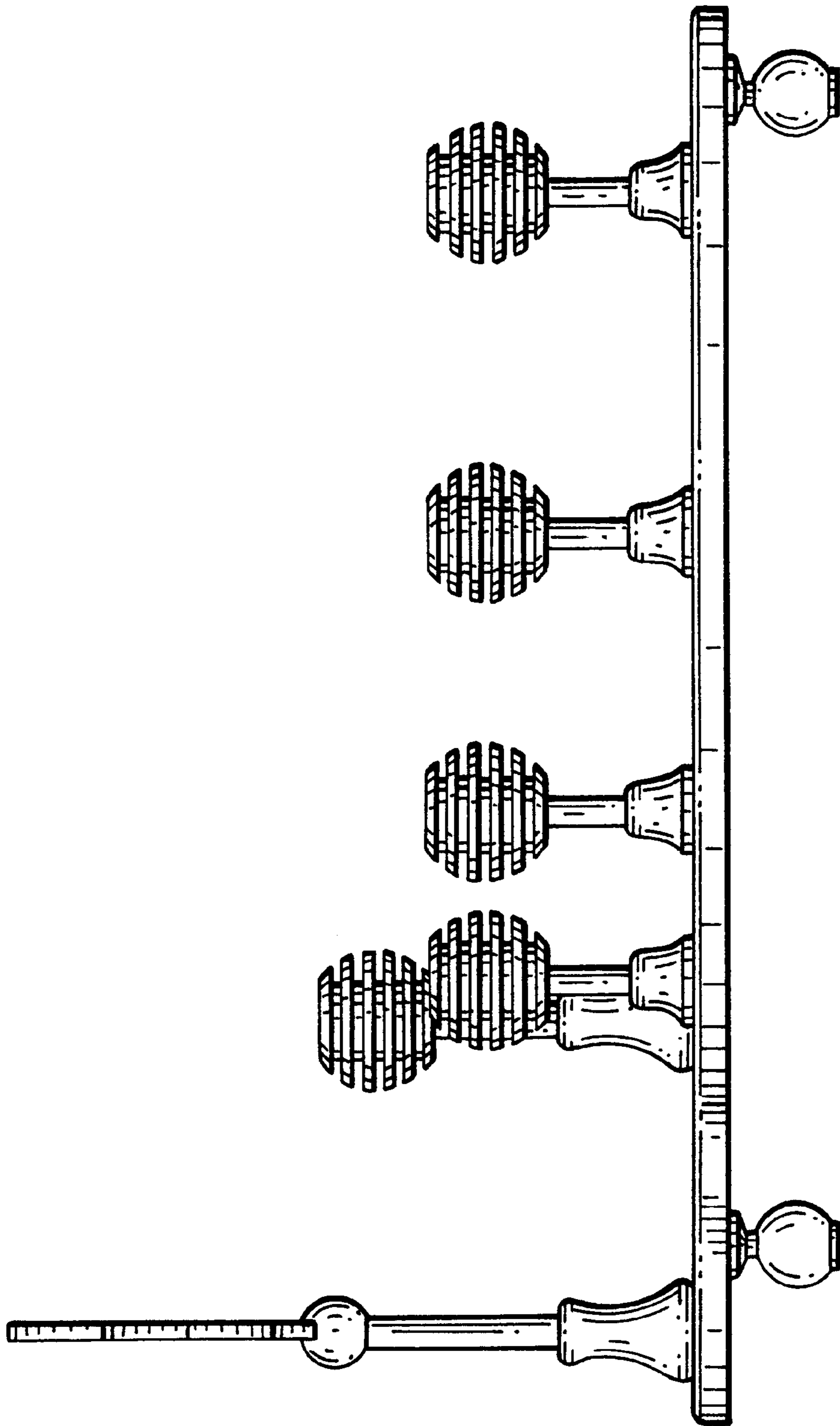


FIG. 3

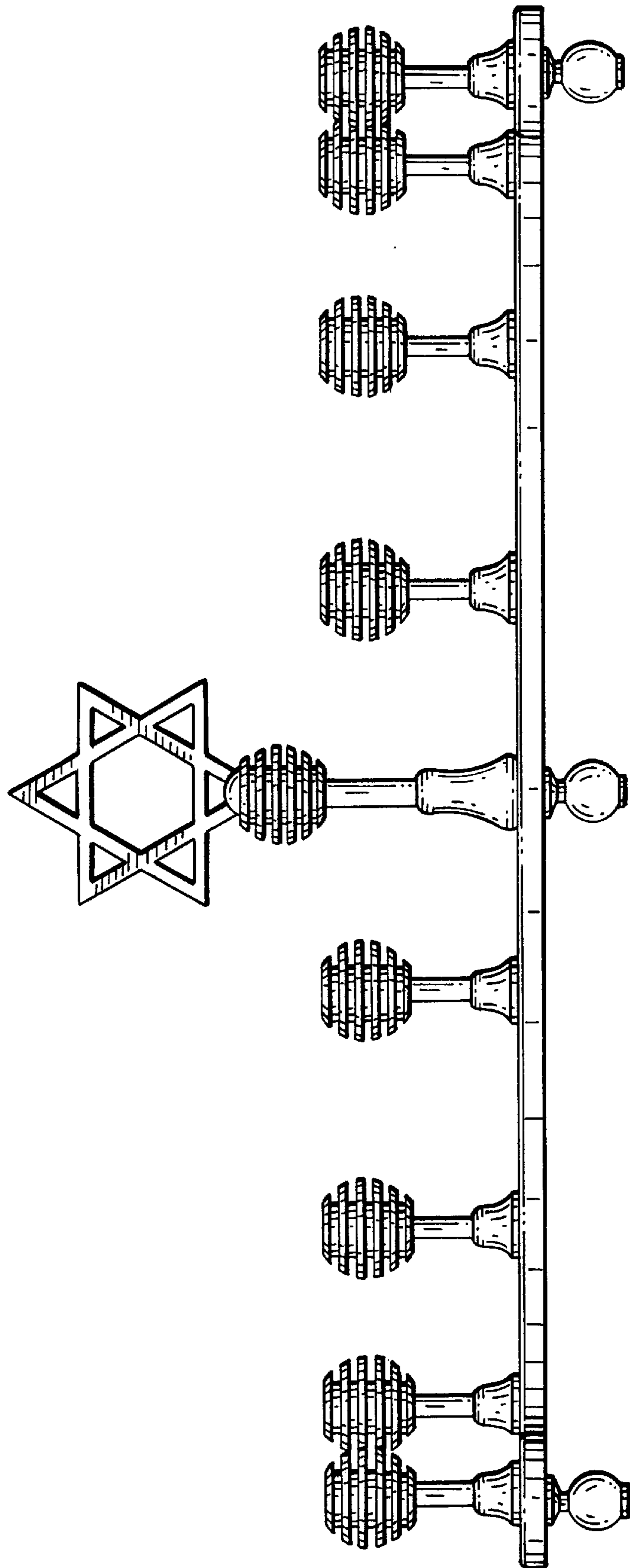


FIG. 4

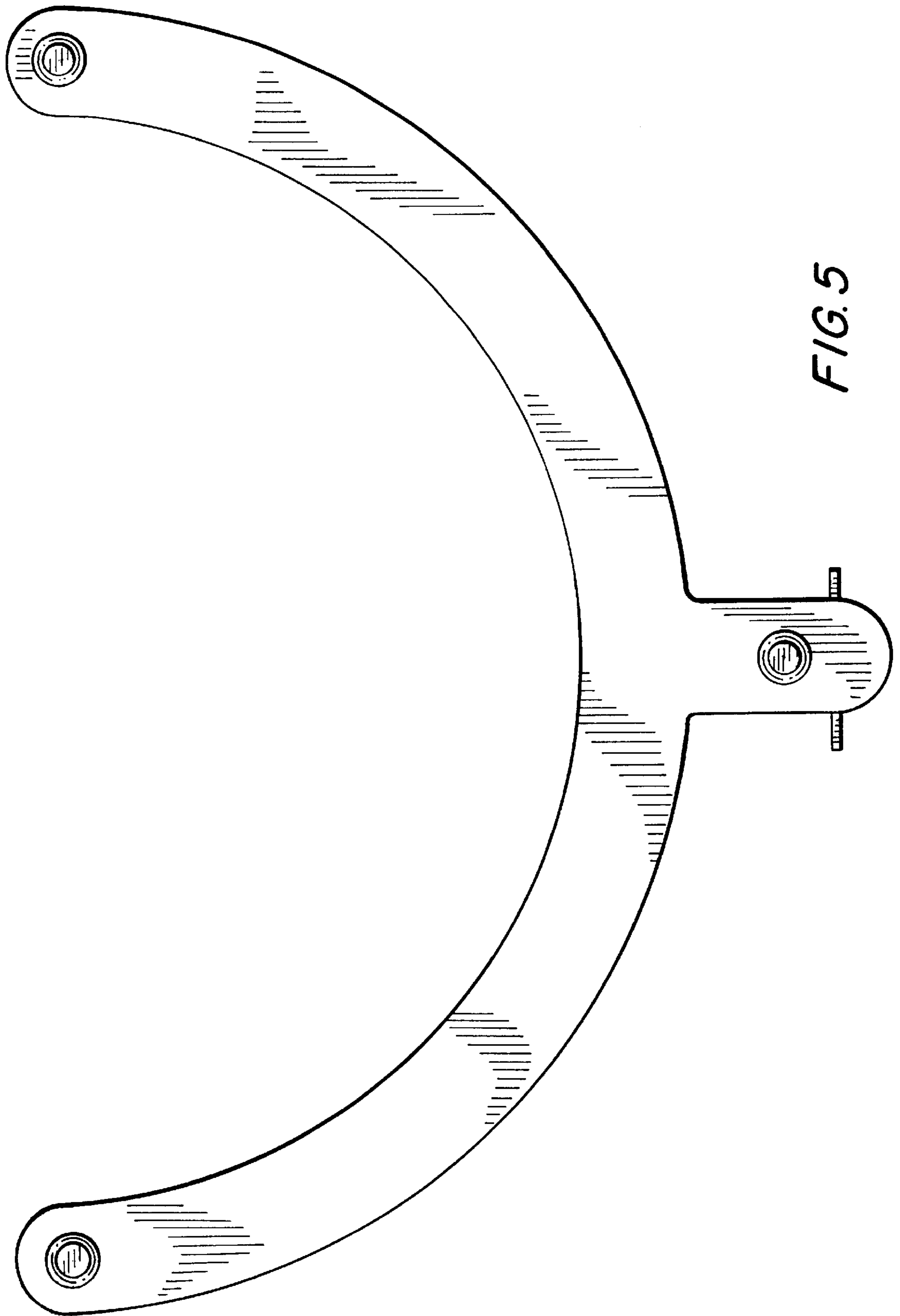


FIG. 5