

US00D468023S

(12) **United States Design Patent**
Buckley et al.

(10) **Patent No.:** **US D468,023 S**
(45) **Date of Patent:** **** Dec. 31, 2002**

(54) **TABLET SPLITTING DEVICE**

(75) Inventors: **Thomas L. Buckley**, Laguna Niguel, CA (US); **John I. Muri**, Aliso Viejo, CA (US)

(73) Assignee: **Links Medical Products, Inc.**, Irvine, CA (US)

(**) Term: **14 Years**

(21) Appl. No.: **29/149,710**

(22) Filed: **Jan. 4, 2002**

(51) **LOC (7) Cl.** **24-02**

(52) **U.S. Cl.** **D24/220**

(58) **Field of Search** D24/220; 225/103;
241/DIG. 27; 30/124, 175

(56) **References Cited**

U.S. PATENT DOCUMENTS

4,179,806 A	*	12/1979	Lieptz	225/103
4,697,344 A	*	10/1987	Leopoldi	225/103
D310,731 S	*	9/1990	Lieptz	D24/101
D420,140 S	*	2/2000	Noble et al.	D24/220

* cited by examiner

Primary Examiner—Ian Simmons

(74) *Attorney, Agent, or Firm*—William Patrick Waters

(57) **CLAIM**

The ornamental design for a tablet splitting device, as shown and described.

DESCRIPTION

FIG. 1 is a left side perspective view showing the design, including a disposable tablet-receiving tray shown in phantom;

FIG. 2 is a front perspective view of the disposable tray, shown in phantom;

FIG. 3 is a left side perspective view of the design;

FIG. 4 is a top plan view thereof;

FIG. 5 is a left side elevational view thereof;

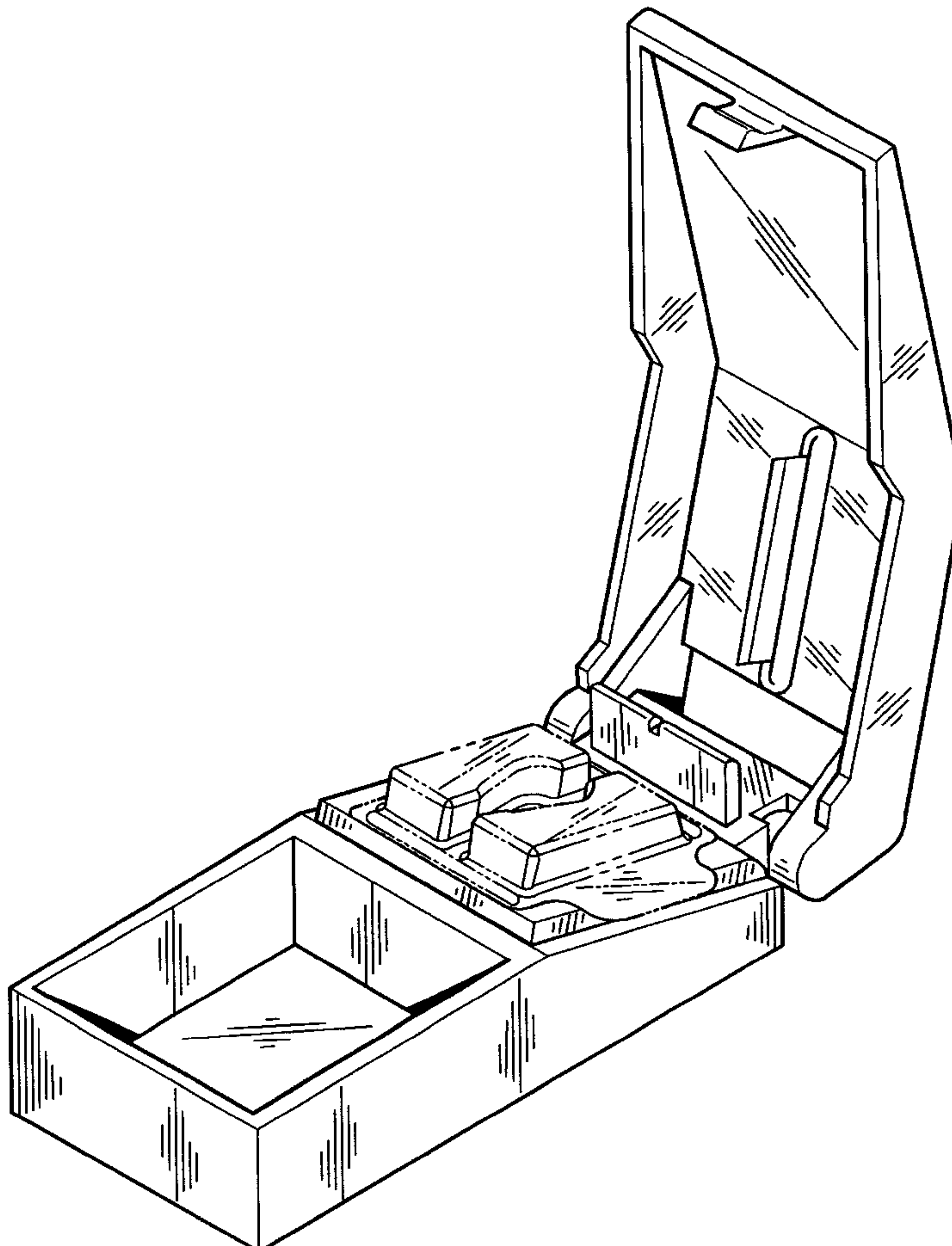
FIG. 6 is a right side elevational view thereof;

FIG. 7 is a bottom plan view thereof;

FIG. 8 is a front elevational view thereof; and,

FIG. 9 is a rear elevational view thereof.

1 Claim, 5 Drawing Sheets



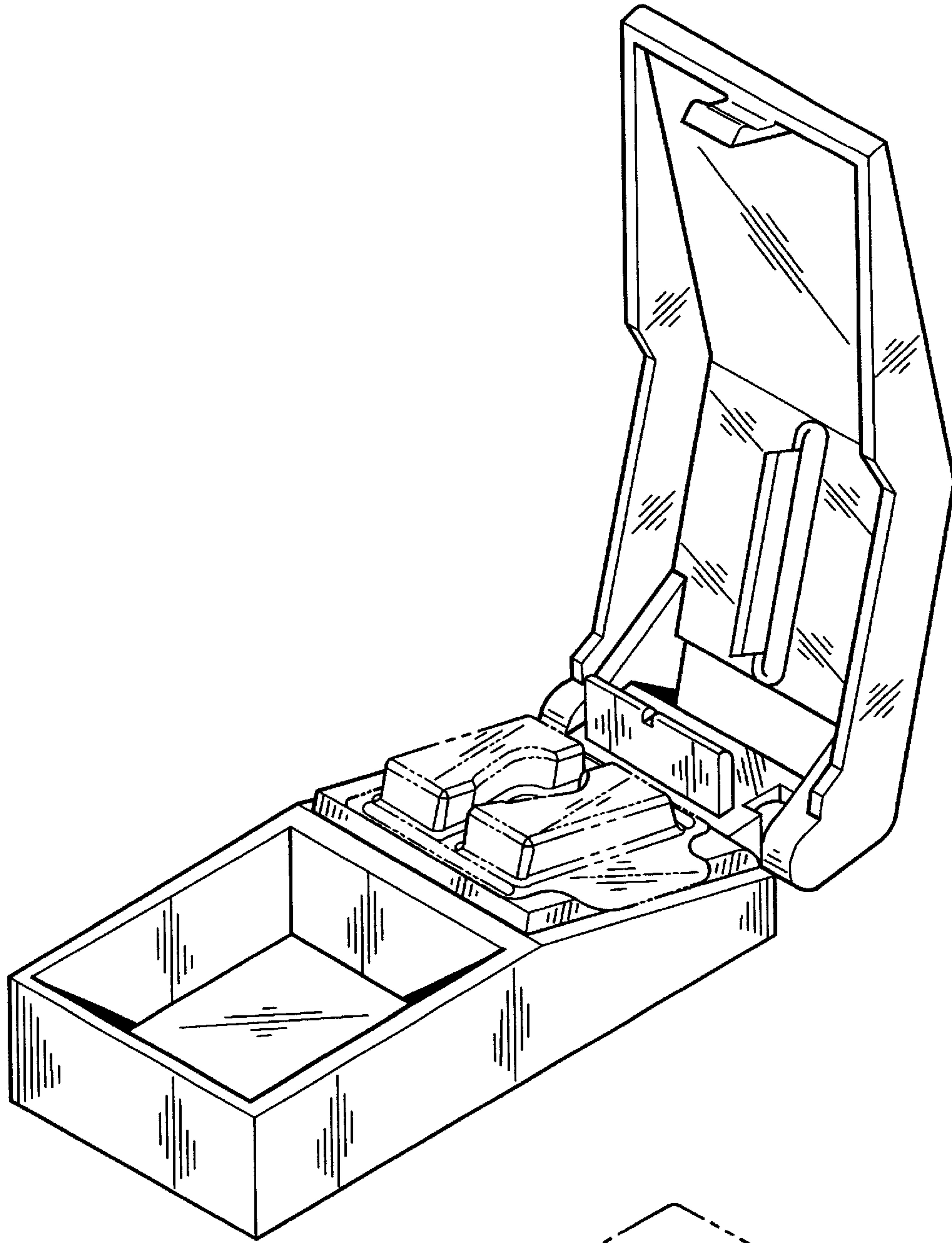


FIG. 1

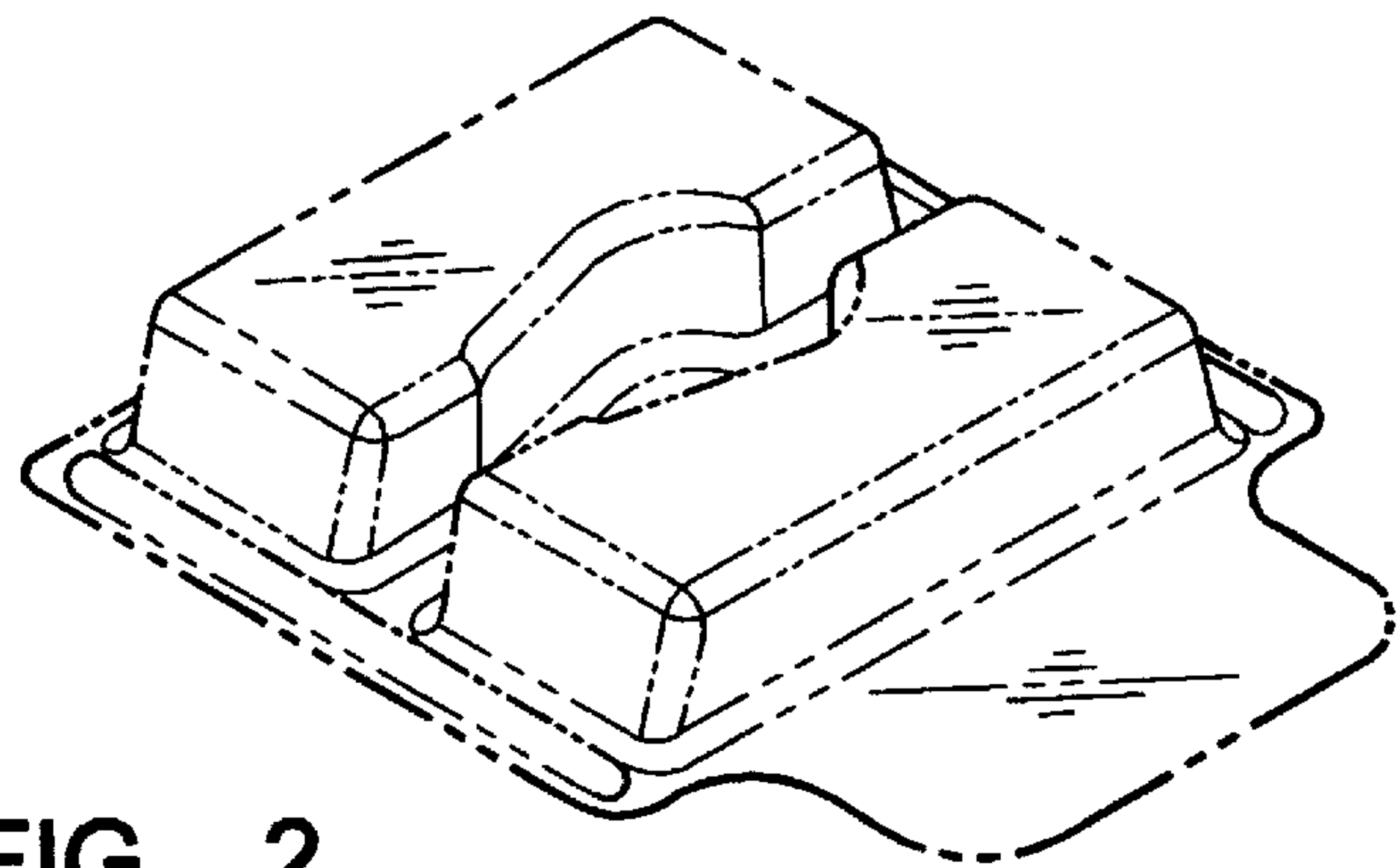


FIG. 2

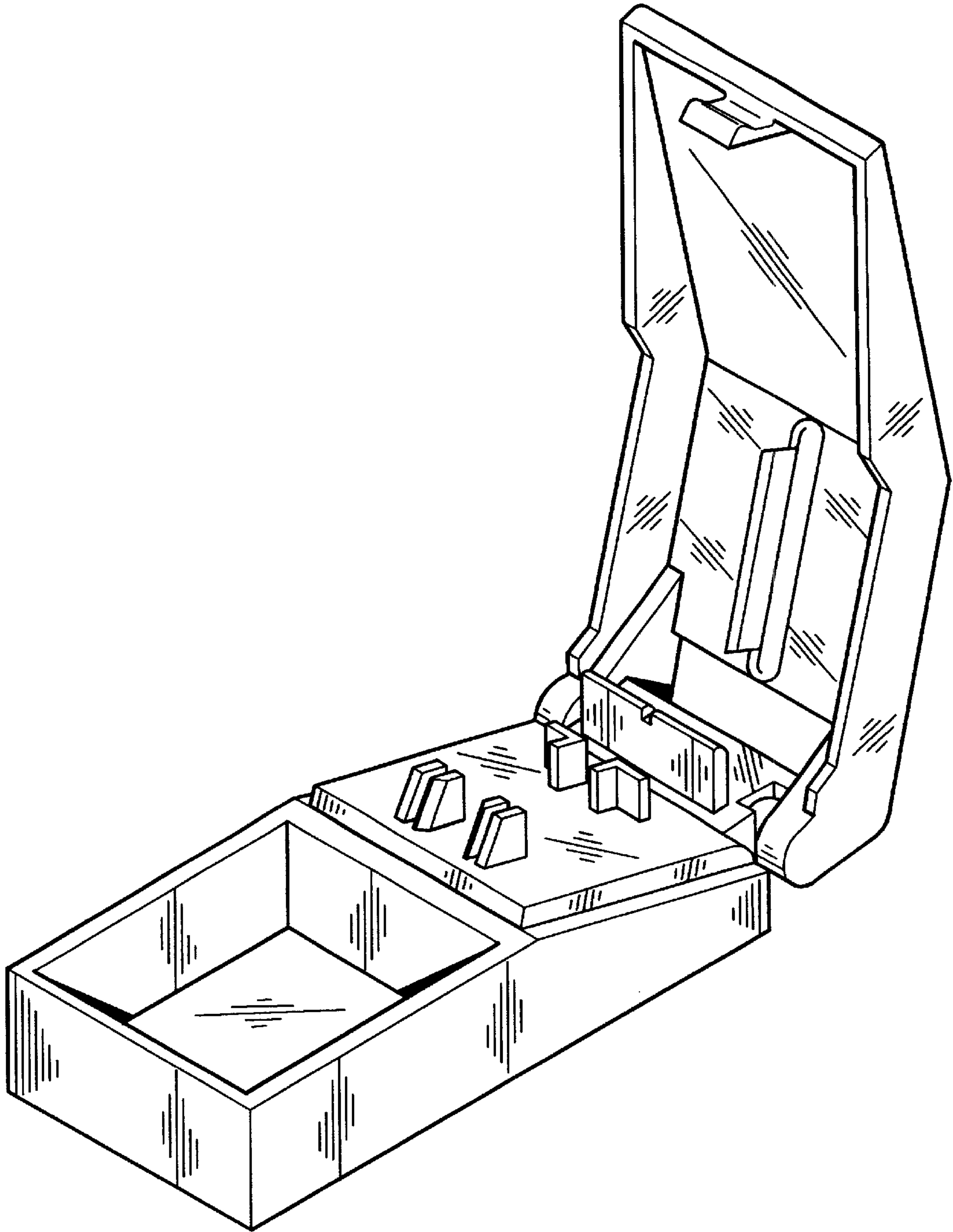


FIG. 3

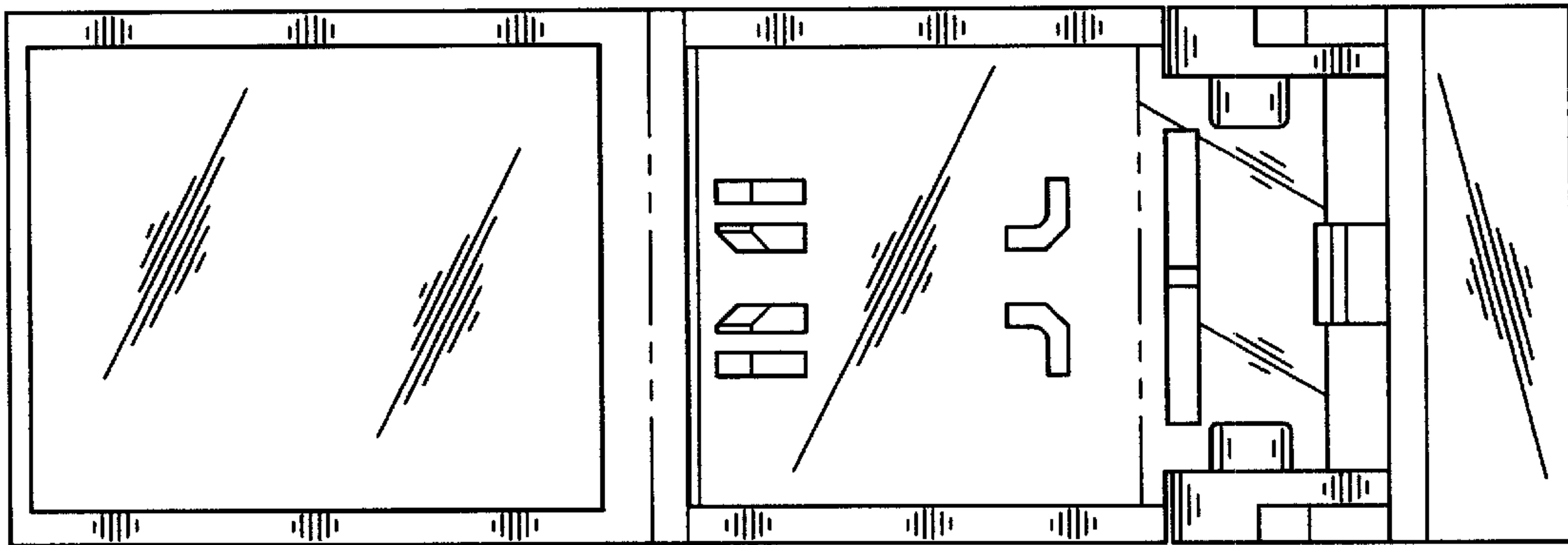


FIG. 4

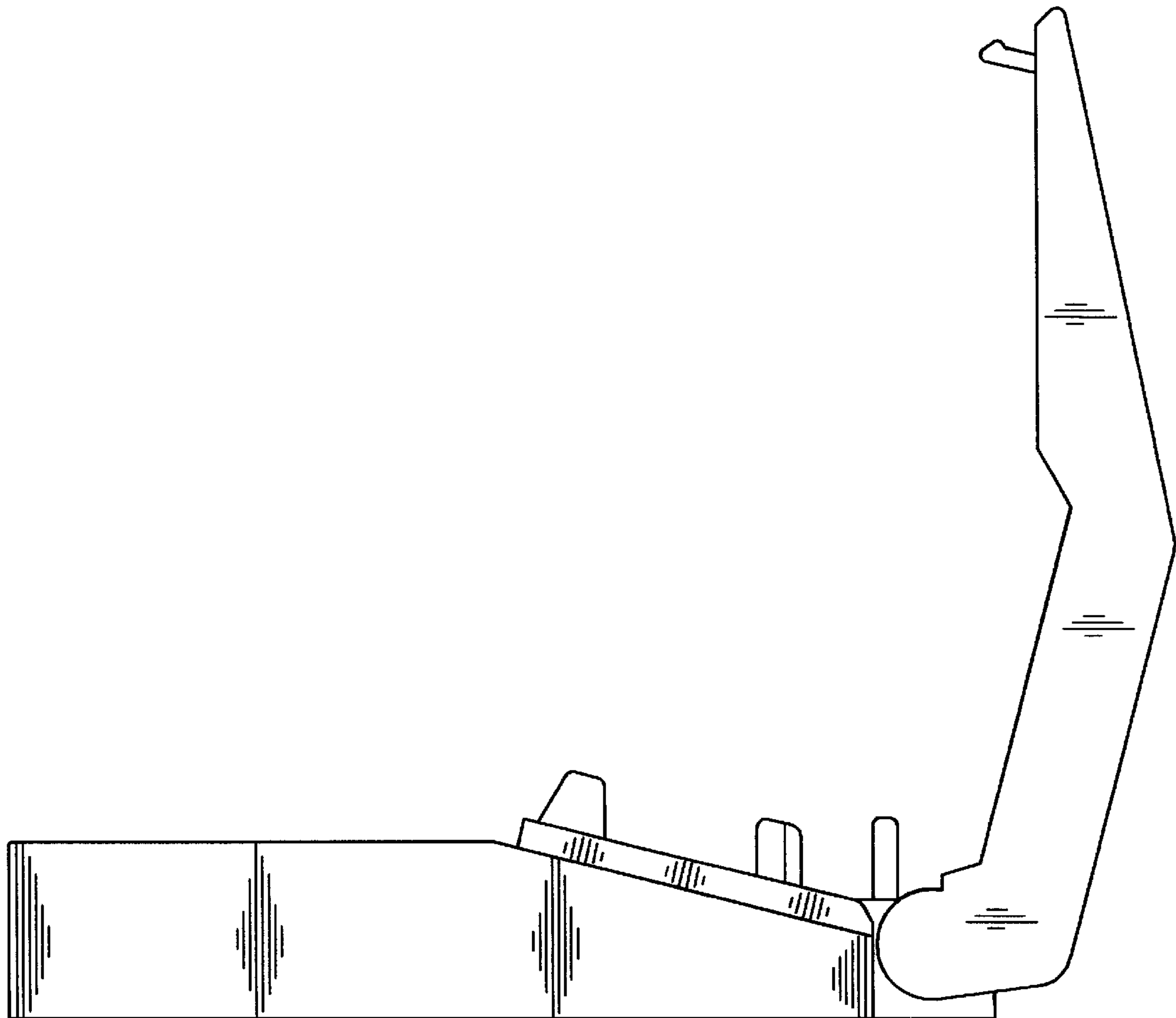


FIG. 5

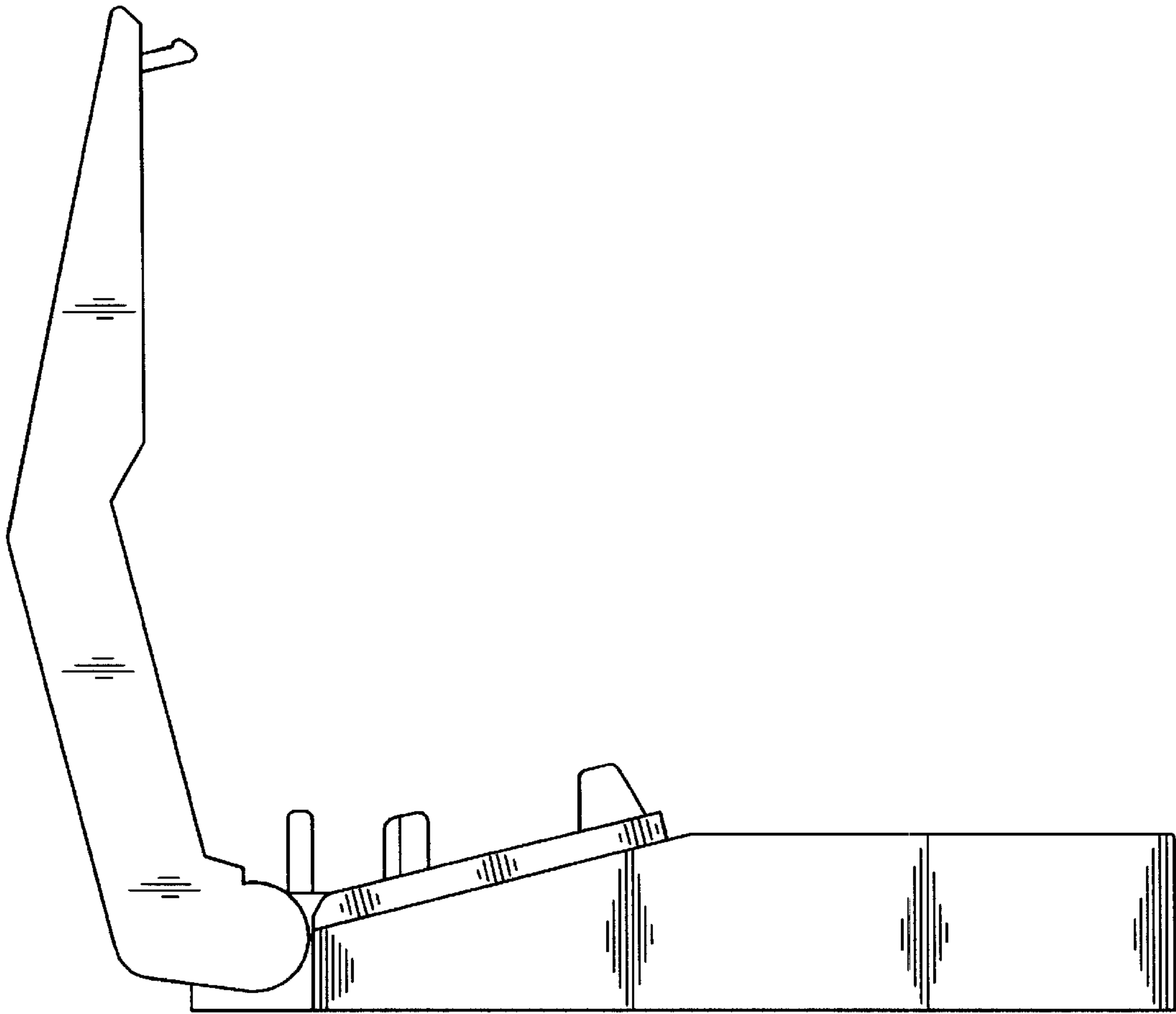


FIG. 6

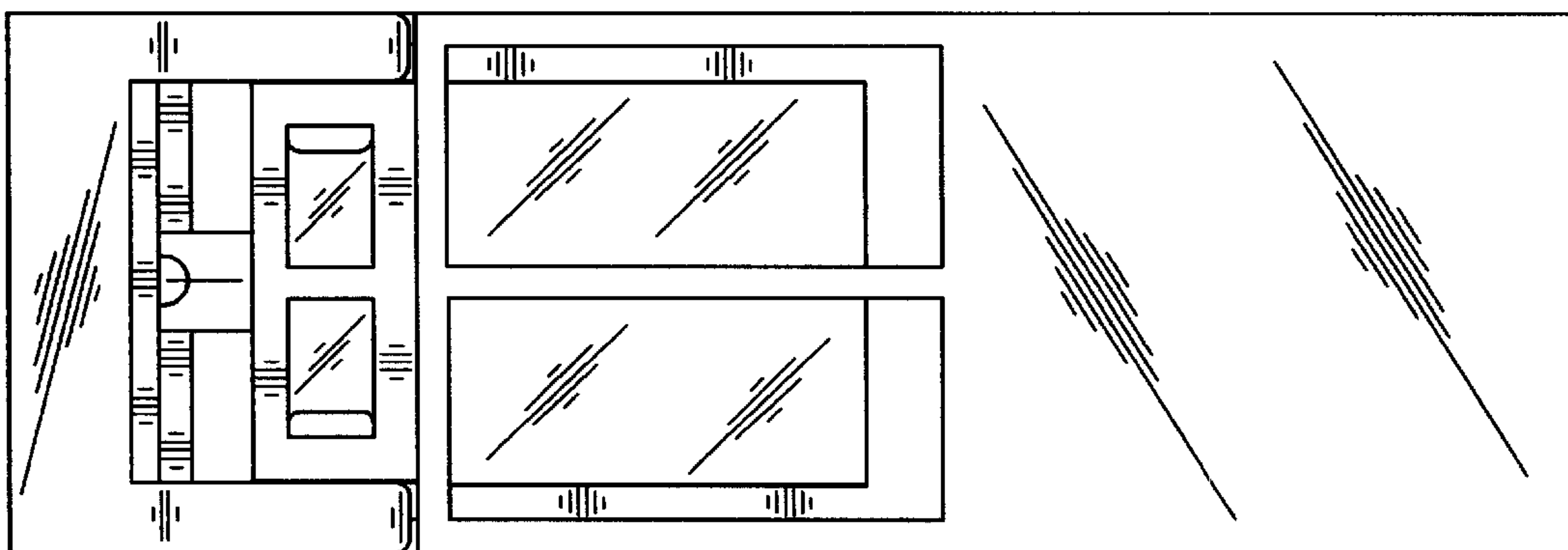


FIG. 7

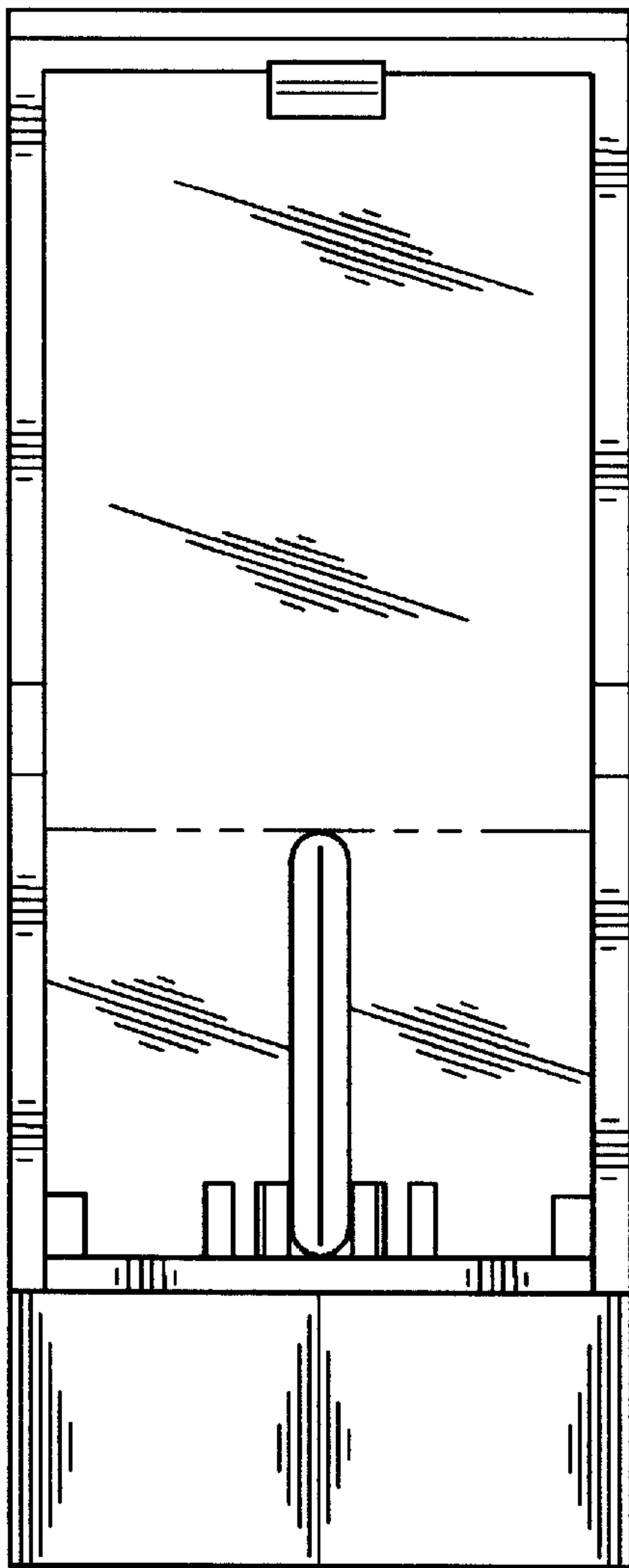


FIG. 8

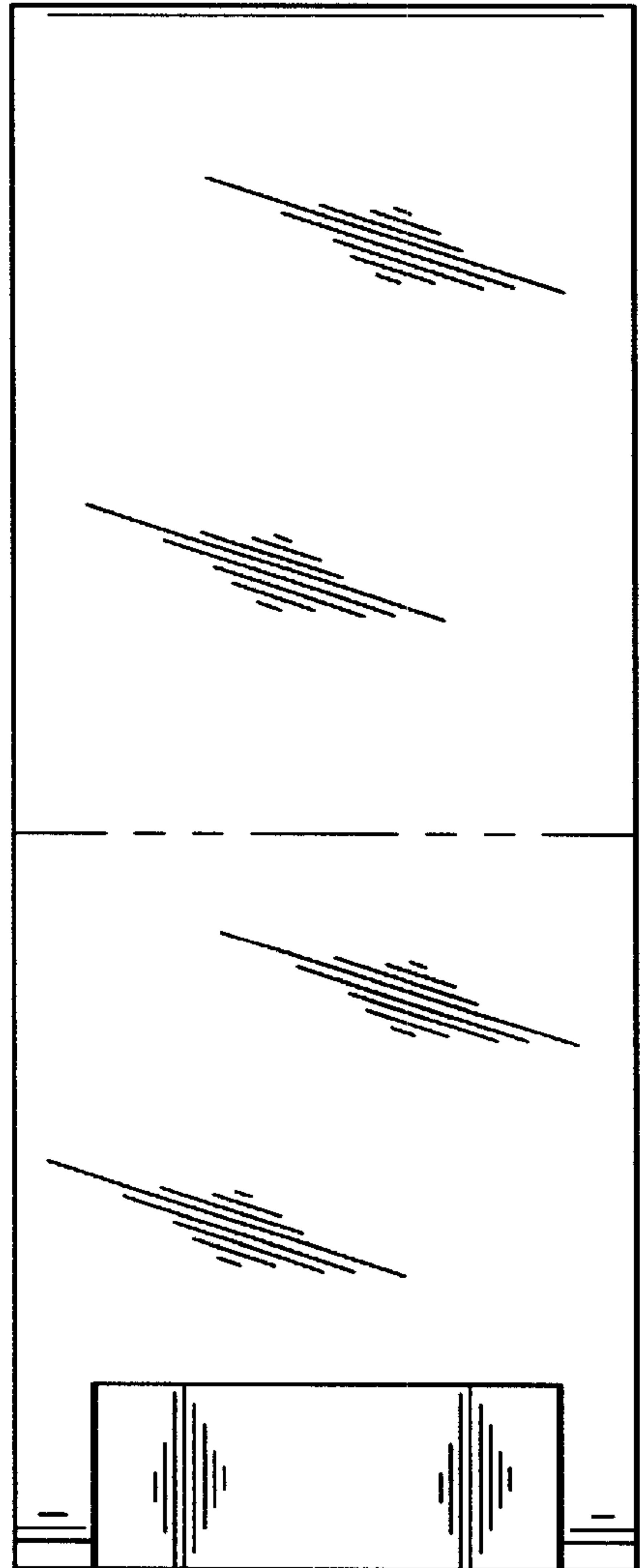


FIG. 9