



US00D468022S

(12) **United States Design Patent**
Henderson et al.

(10) **Patent No.:** **US D468,022 S**

(45) **Date of Patent:** **** Dec. 31, 2002**

(54) **SPECIMEN SLIDE HOLDER**

(75) Inventors: **Chester Henderson**, Mount Waverley (AU); **Eduardo Vom**, Mount Waverley (AU); **Ian Reilly**, Mount Waverley (AU); **Stephen Morris**, Mount Waverley (AU)

(73) Assignee: **Vision Biosystems Limited**, Victoria (AU)

(**) Term: **14 Years**

(21) Appl. No.: **29/146,685**

(22) Filed: **Aug. 14, 2001**

(30) **Foreign Application Priority Data**

Feb. 14, 2001 (AU) 458/2001

(51) **LOC (7) Cl.** **16-06**

(52) **U.S. Cl.** **D24/216; D16/131; D24/225**

(58) **Field of Search** **D24/216, 225, D24/133, 232; D16/131; 359/391, 393, 385; 422/104**

(56) **References Cited**

U.S. PATENT DOCUMENTS

3,572,888 A * 3/1971 Kawashima 359/393

3,765,745 A * 10/1973 Burboeck 359/393
3,951,512 A * 4/1976 Tolles 359/391
D258,312 S * 2/1981 Parker D16/131
4,407,570 A * 10/1983 Hayasaka 359/391
D333,187 S * 2/1993 Omi D24/225

* cited by examiner

Primary Examiner—Ian Simmons

(74) *Attorney, Agent, or Firm*—Shook, Hardy & Bacon LLP

(57) **CLAIM**

The ornamental design for a specimen slide holder, as shown and described.

DESCRIPTION

FIG. 1 is a perspective view of a specimen slide holder our new design.

FIG. 2 is an additional perspective view thereof, taken from the other side;

FIG. 3 is a bottom plan view thereof;

FIG. 4 is a side view thereof;

FIG. 5 is a top plan view thereof;

FIG. 6 is a cross-sectional view thereof, taken along line 6—6 of FIG. 5; and,

FIG. 7 is a cross-sectional view thereof, taken along line 7—7 of FIG. 5.

1 Claim, 7 Drawing Sheets

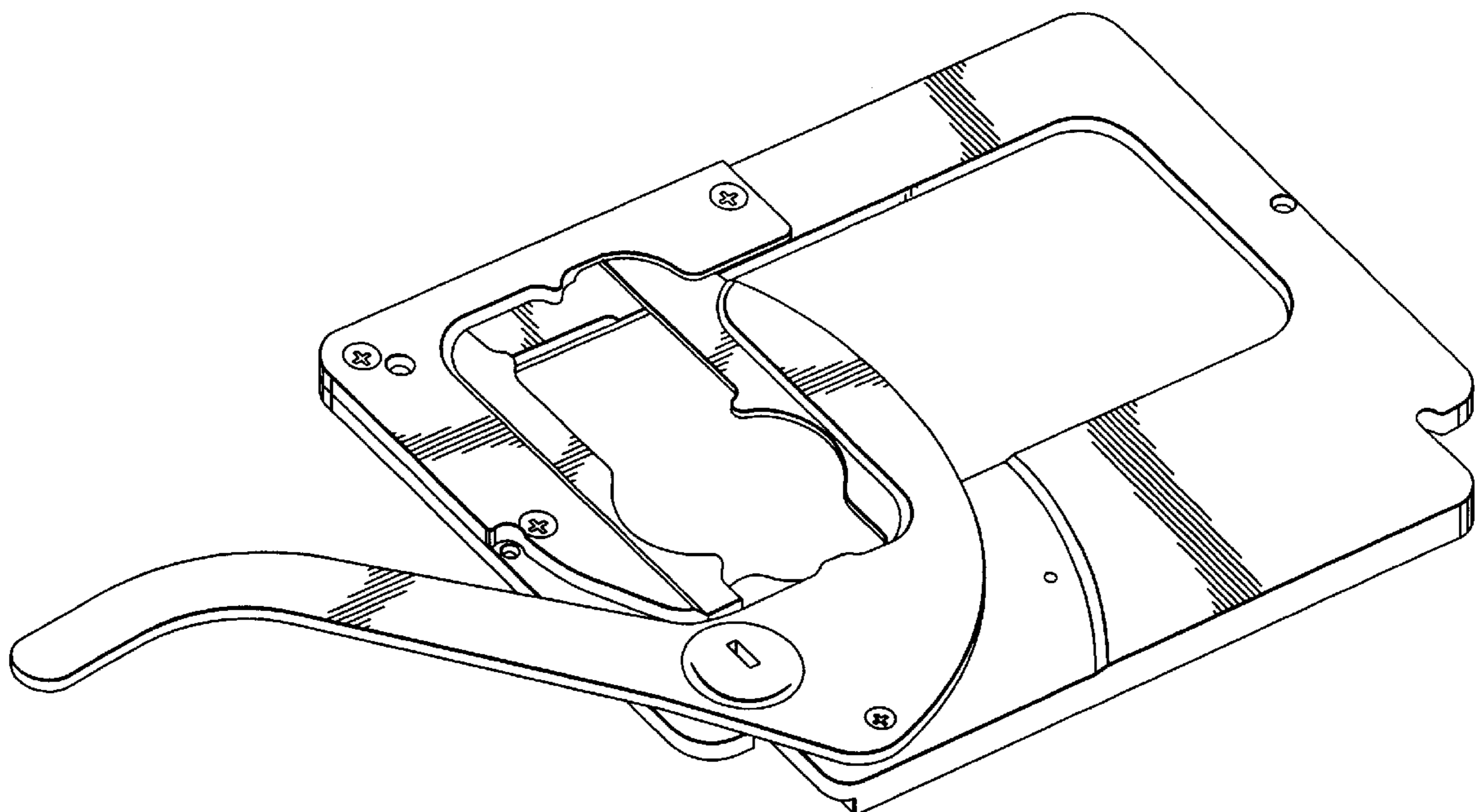
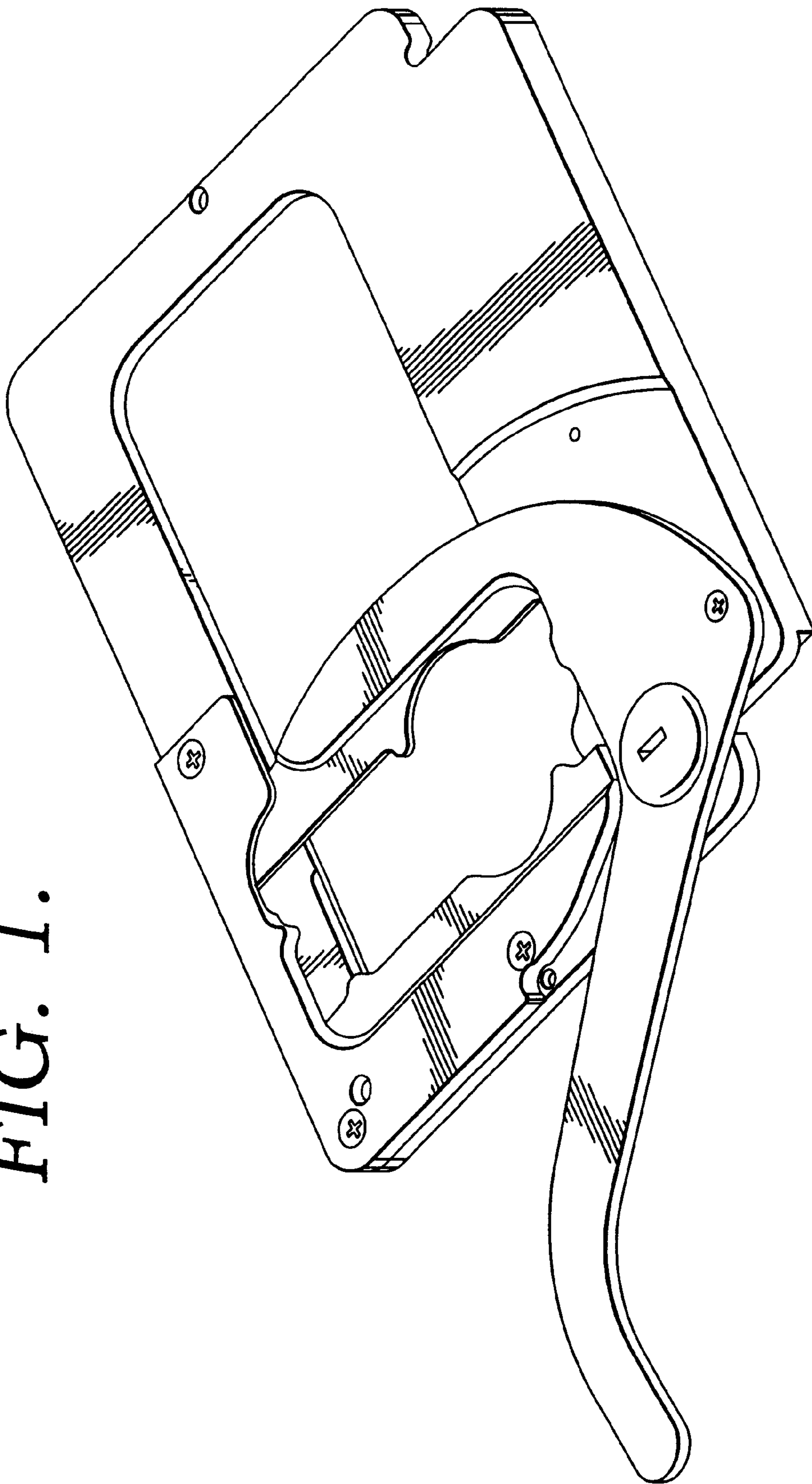


FIG. 1.



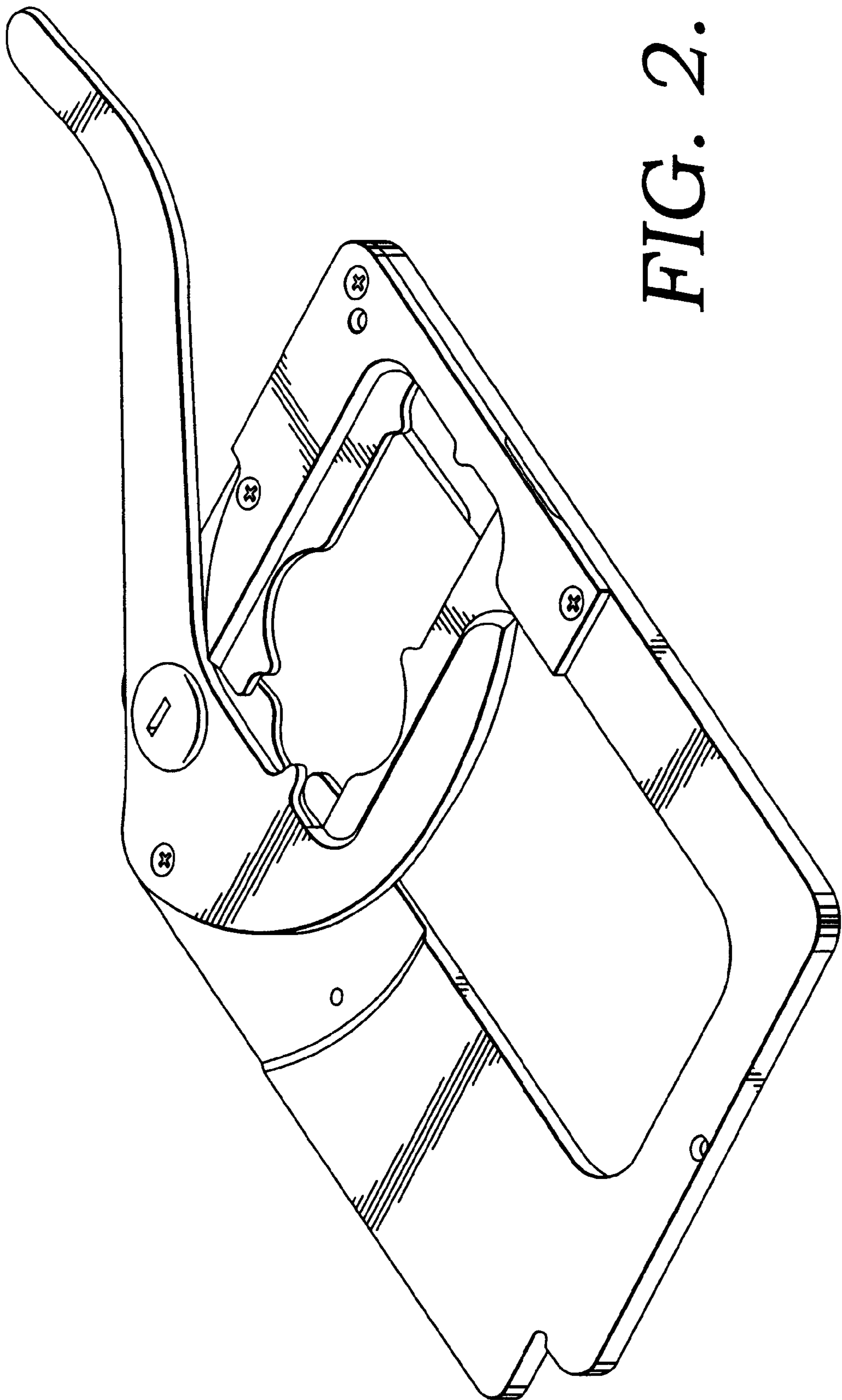


FIG. 2.

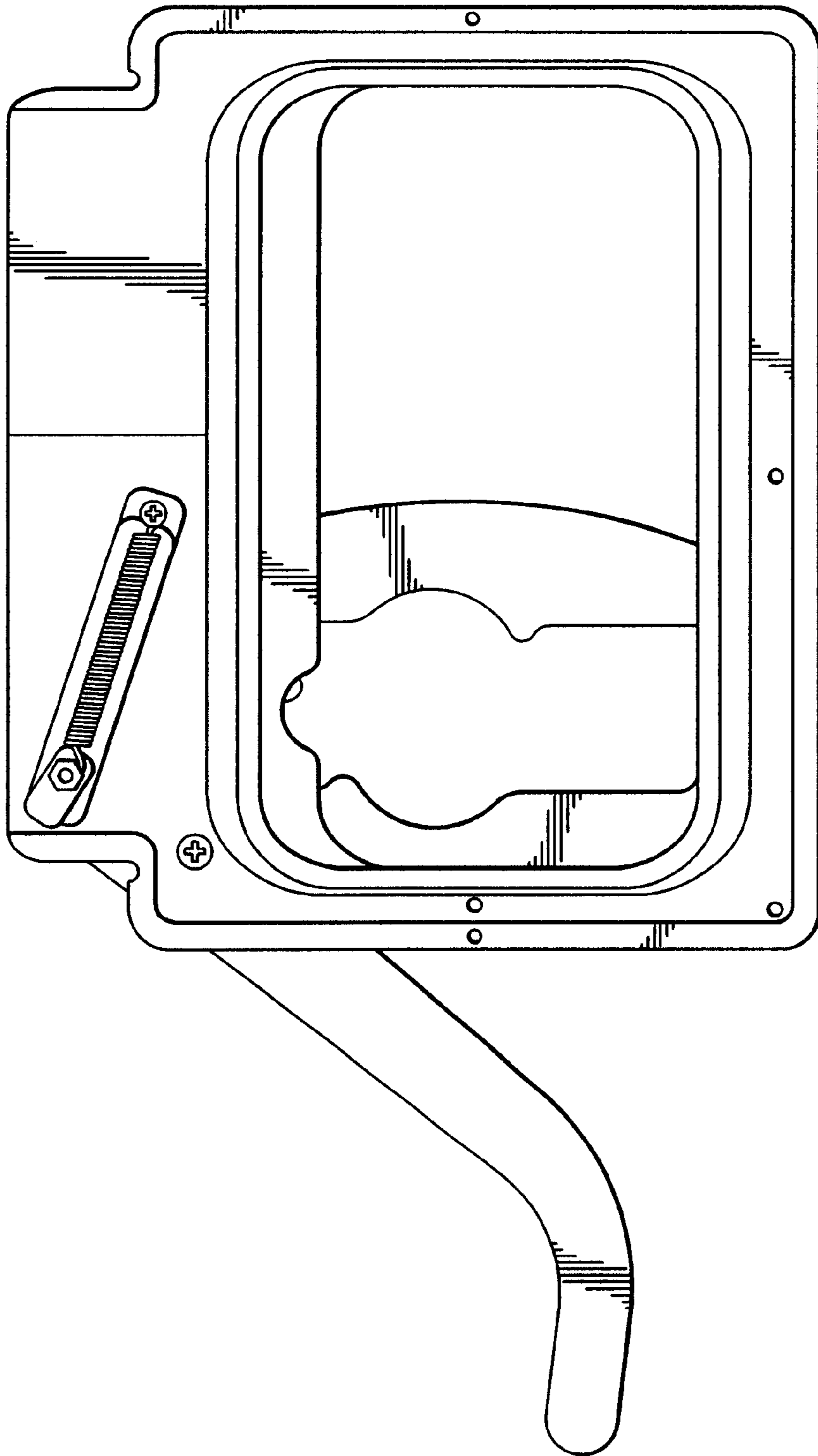
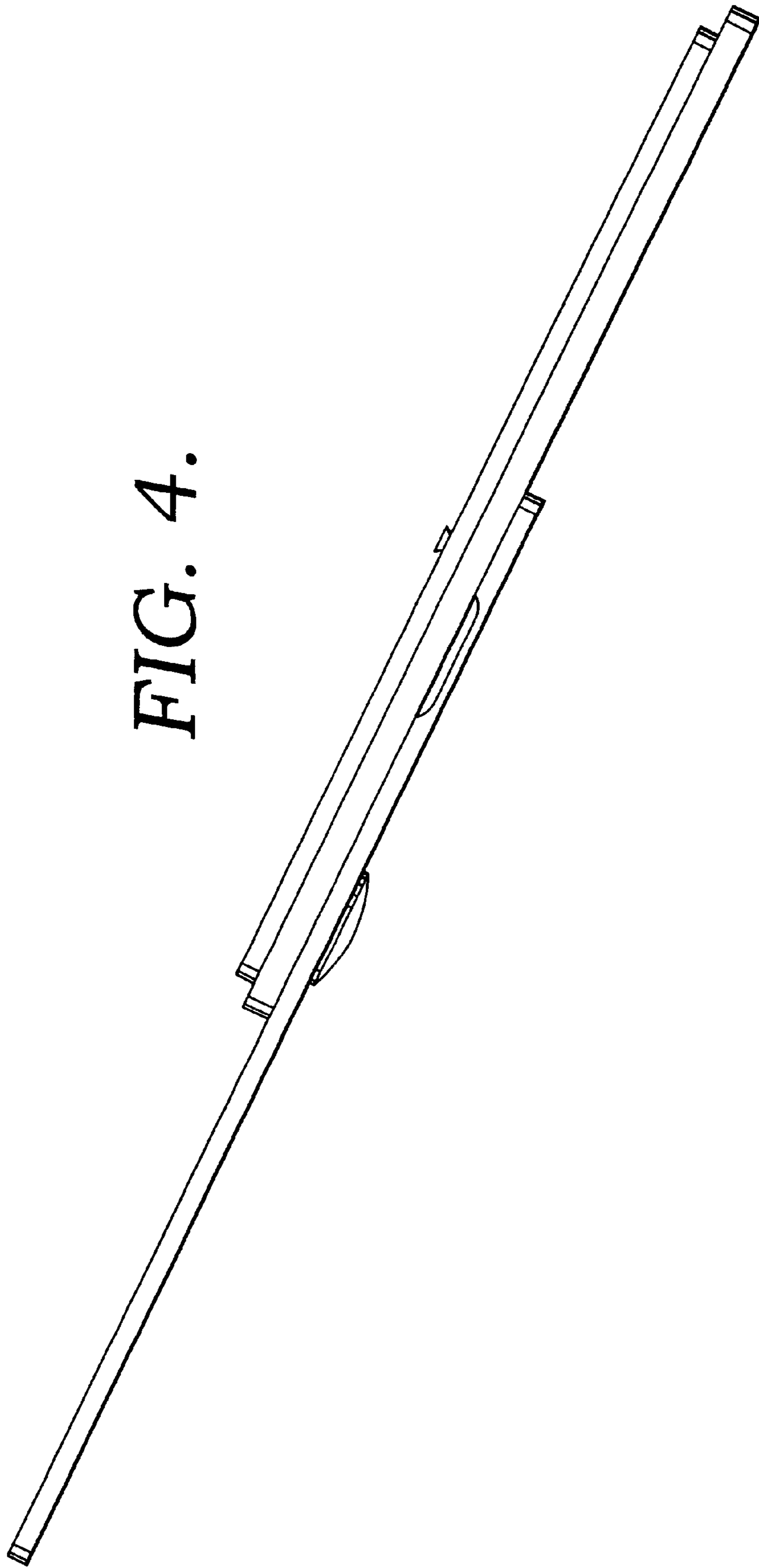


FIG. 3.

FIG. 4.



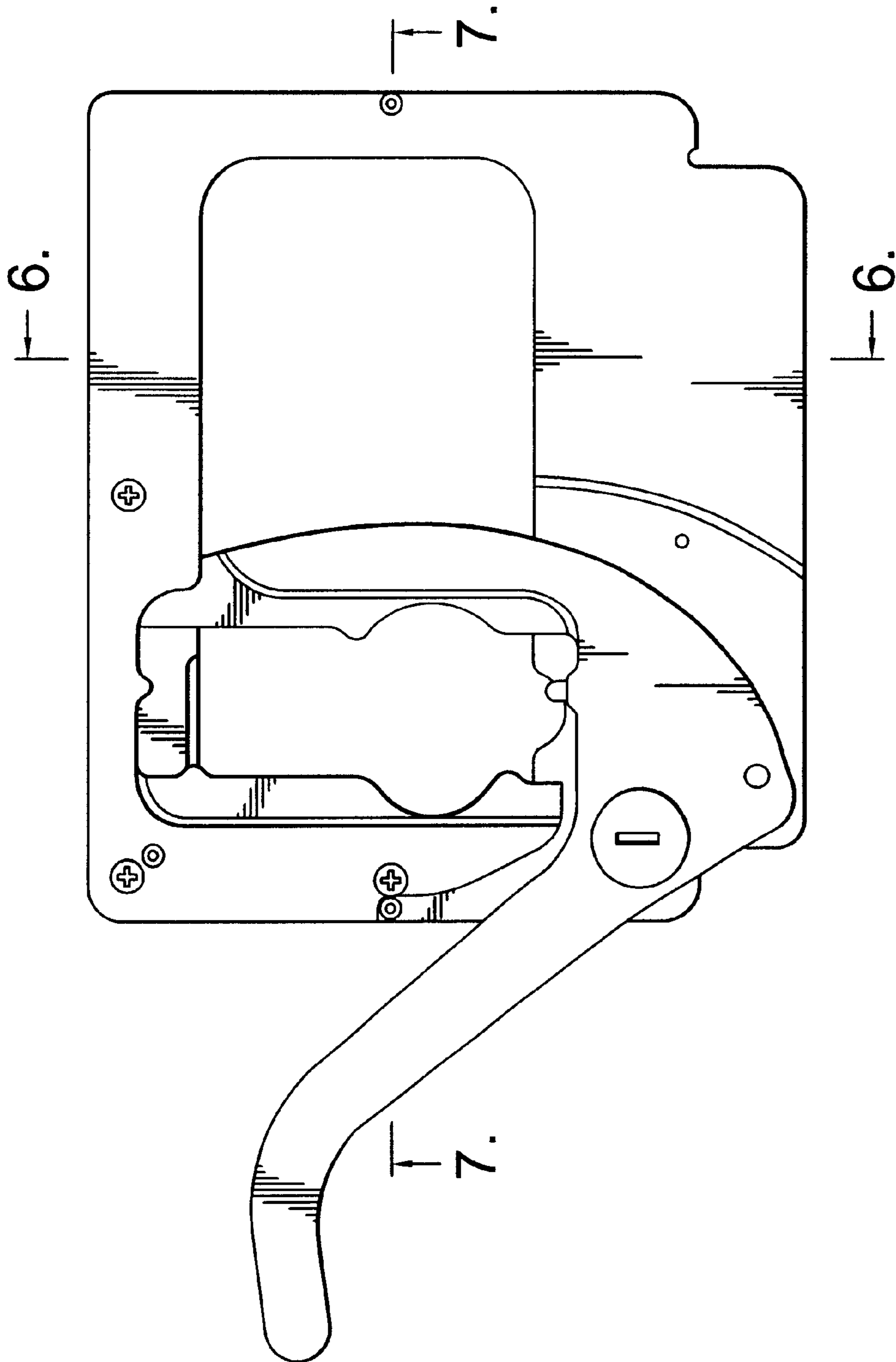


FIG. 5.

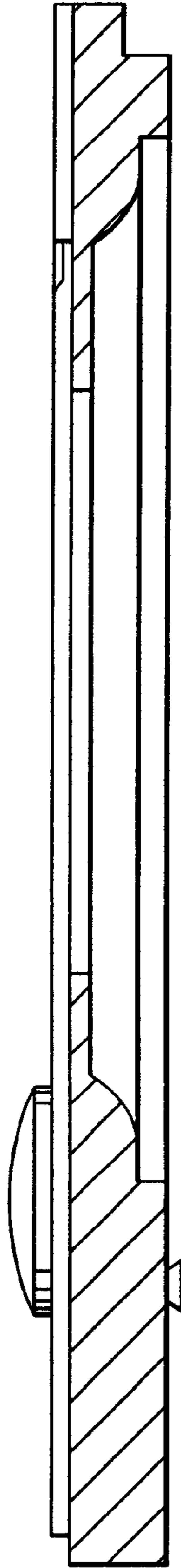


FIG. 6.

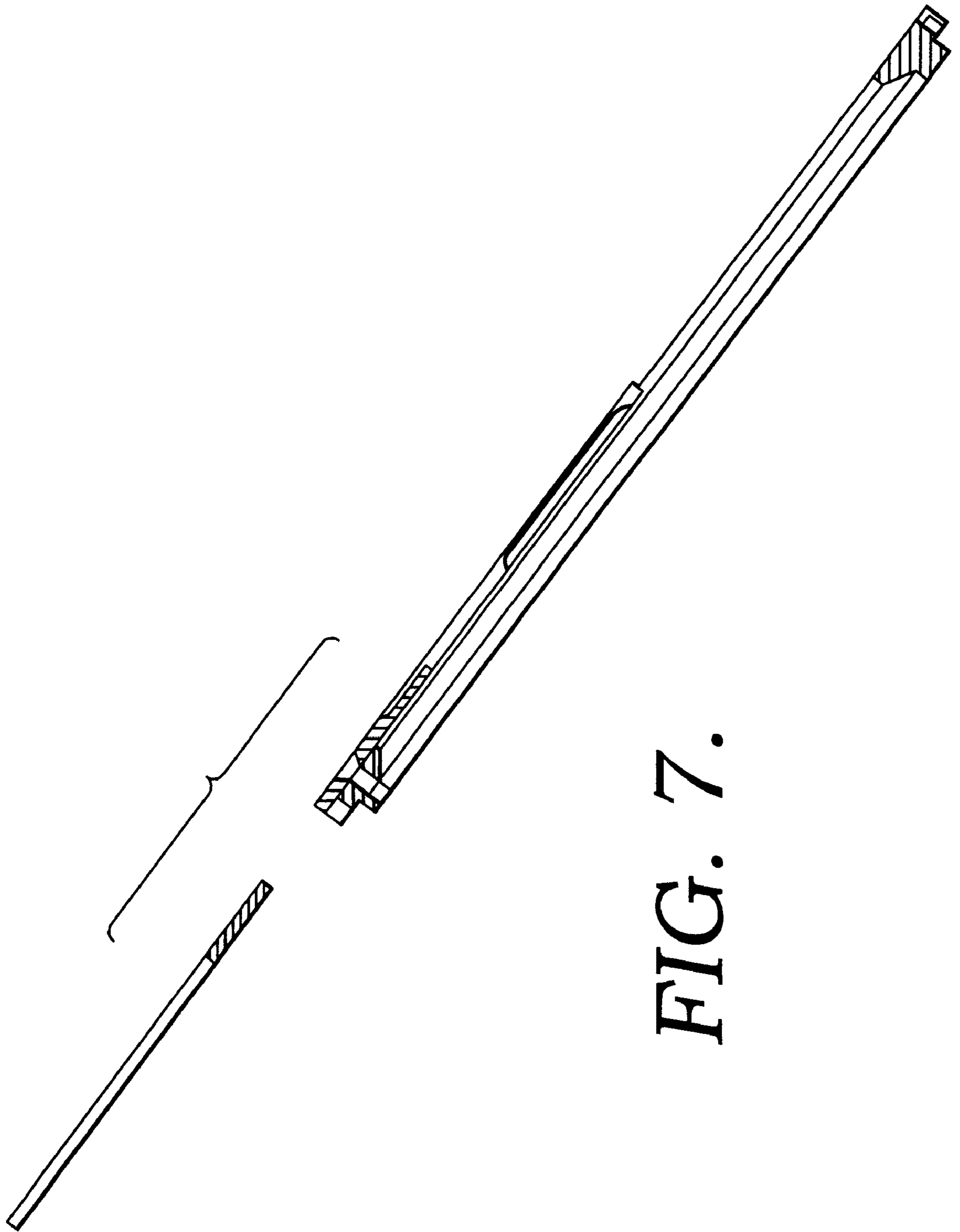


FIG. 7.