



US00D468020S

(12) **United States Design Patent**
Hoffman

(10) **Patent No.:** **US D468,020 S**

(45) **Date of Patent:** **** Dec. 31, 2002**

(54) **CARDIO-THORACIC COMPRESSION
HARNESS**

(75) Inventor: **Jon F. Hoffman**, Oroville, CA (US)

(73) Assignee: **Aztec-Life, Inc.**, Oroville, CA (US)

(**) Term: **14 Years**

(21) Appl. No.: **29/154,413**

(22) Filed: **Jan. 22, 2002**

(51) **LOC (7) Cl.** **24-04**

(52) **U.S. Cl.** **D24/190**

(58) **Field of Search** D24/169, 190;
602/19, 20, 5; D29/100, 101

(56) **References Cited**

U.S. PATENT DOCUMENTS

2,723,664 A *	11/1955	Davis	602/19
3,400,710 A *	9/1968	Goldstein	602/19
3,561,436 A *	2/1971	Gaylord, Jr.	602/19
3,970,079 A *	7/1976	Gaylord	602/19

* cited by examiner

Primary Examiner—Stella Reid
(74) *Attorney, Agent, or Firm*—Pro-Techtor International Services

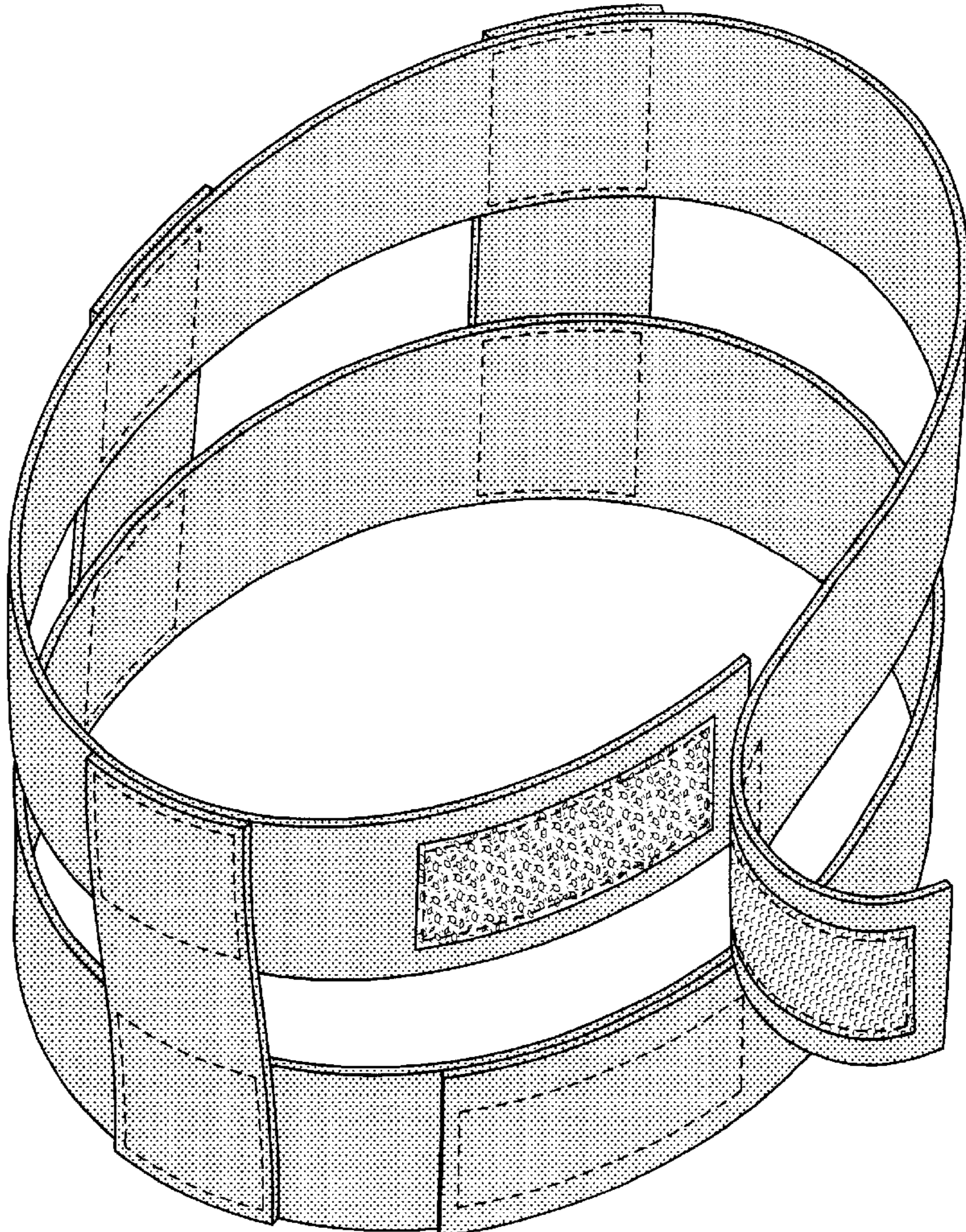
(57) **CLAIM**

The ornamental design for a cardio-thoracic compression harness, as shown and described.

DESCRIPTION

FIG. 1 is a perspective view of a cardio-thoracic compression harness, showing my new design, in use condition; FIG. 2 is a front elevational view thereof, in open condition; FIG. 3 is a rear elevational view thereof; FIG. 4 is a perspective view thereof; FIG. 5 is a top plan view thereof; FIG. 6 is a bottom plan view thereof; FIG. 7 is a left side elevational view thereof; and, FIG. 8 is a right side elevational view thereof.

1 Claim, 5 Drawing Sheets



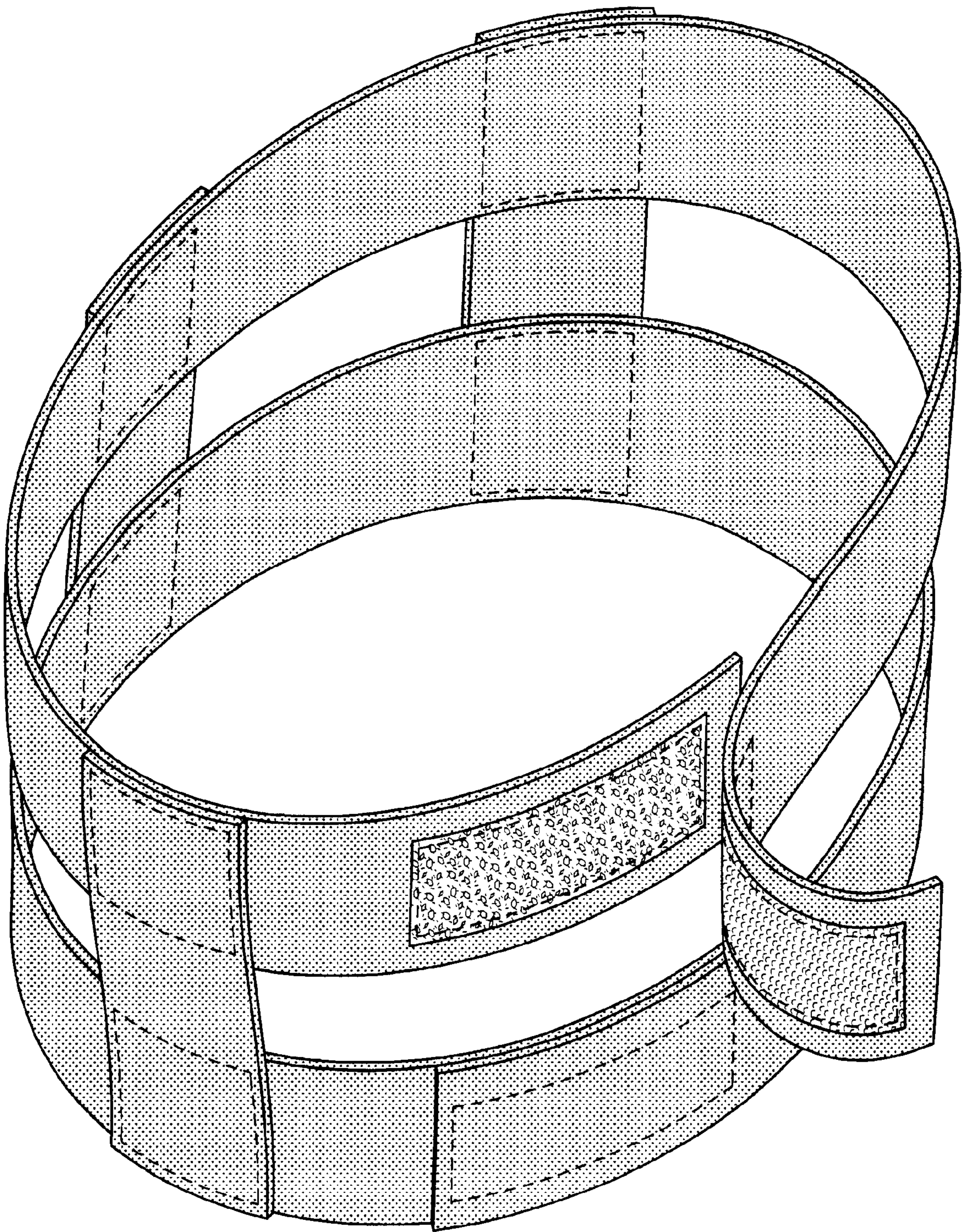


FIG. 1

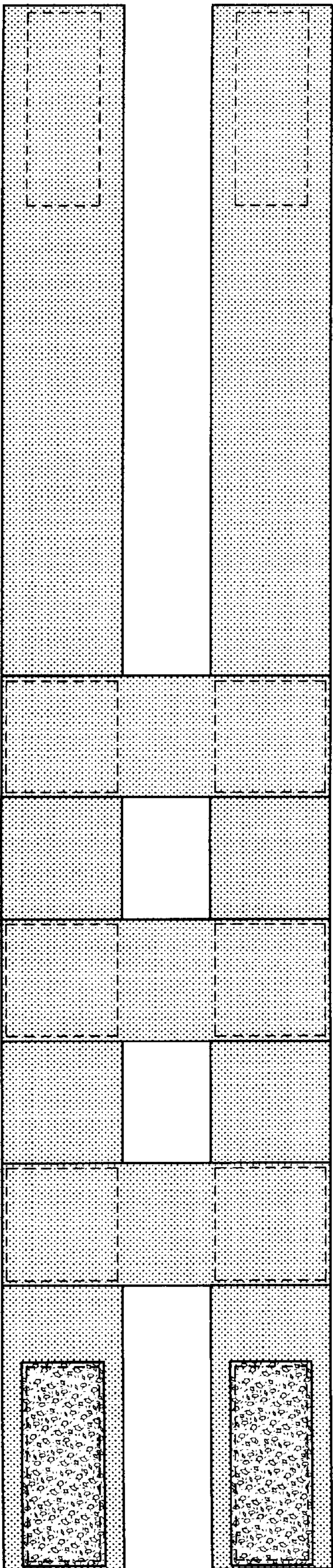


FIG. 2

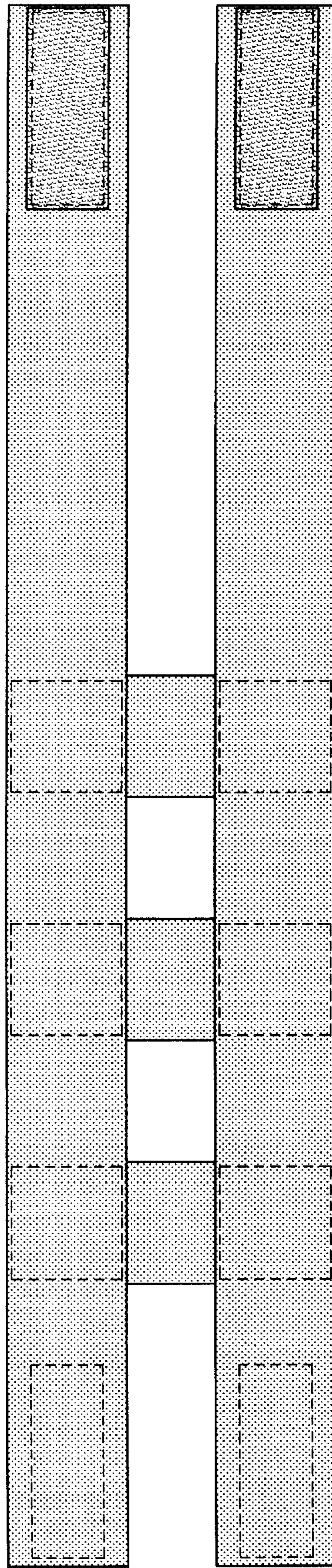


FIG. 3

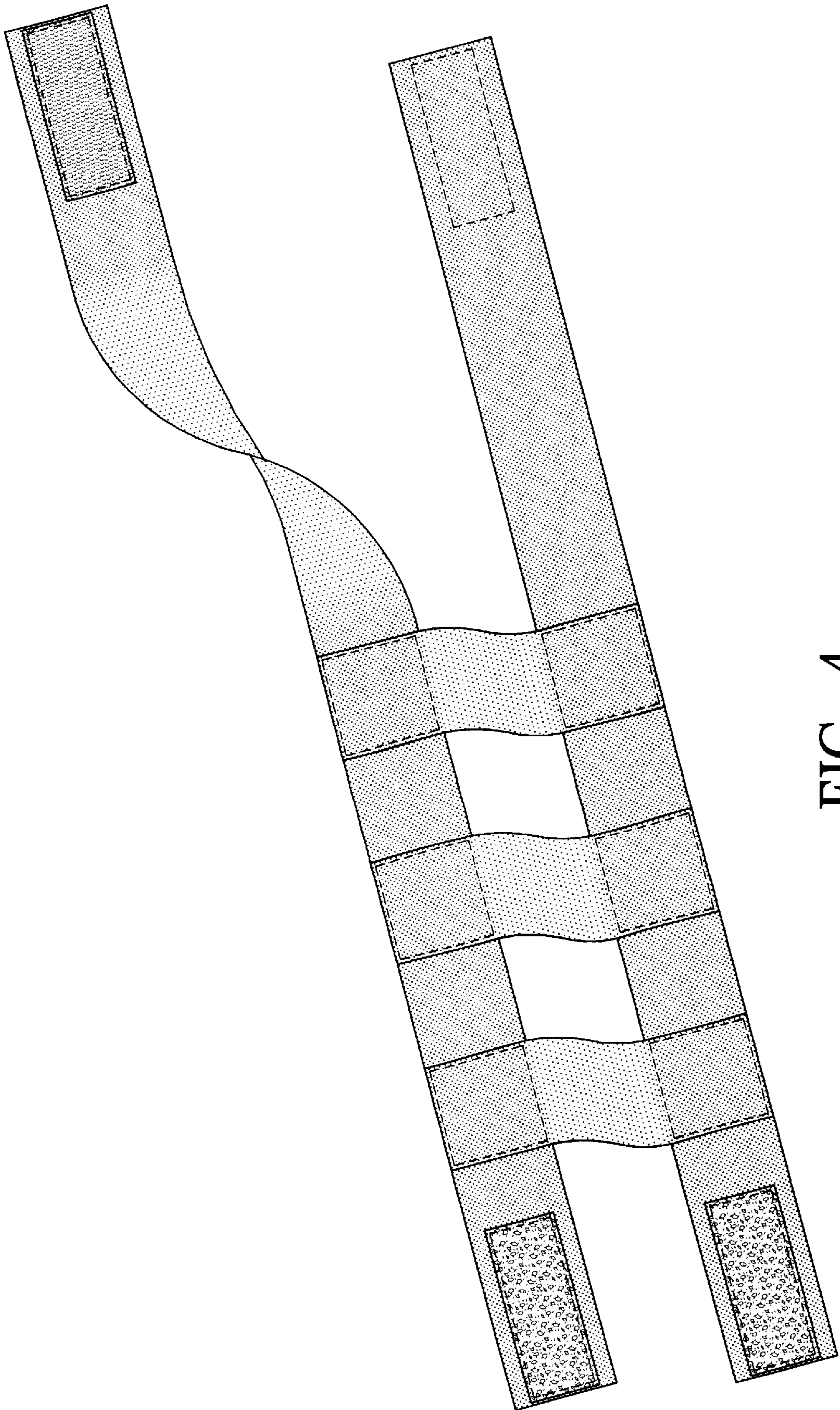


FIG. 4



FIG. 5



FIG. 6



FIG. 7



FIG. 8