



US00D468017S

(12) **United States Design Patent**
McCombs

(10) **Patent No.:** **US D468,017 S**

(45) **Date of Patent:** **** Dec. 31, 2002**

(54) **PORTABLE OXYGEN SUPPLY APPARATUS**

D348,927 S * 7/1994 Attolini D24/110
D454,393 S * 3/2002 Lynch et al. D24/110

(75) Inventor: **Norman R. McCombs**, Tonawanda,
NY (US)

* cited by examiner

(73) Assignee: **AirSep Corporation**, Buffalo, NY (US)

Primary Examiner—Ian Simmons

(**) Term: **14 Years**

(74) *Attorney, Agent, or Firm*—Jaeckle Fleischmann &
Mugel, LLP

(21) Appl. No.: **29/146,787**

(57) **CLAIM**

(22) Filed: **Aug. 16, 2001**

The ornamental design for a portable oxygen supply apparatus, as shown and described.

(51) **LOC (7) Cl.** **24-04**

DESCRIPTION

(52) **U.S. Cl.** **D24/164**; D24/110

(58) **Field of Search** D24/110, 164;
128/204.18, 204.23, 200.22, 204.21, 200.18,
200.1, 205.24, 205.12

FIG. 1 is a front, top and left side perspective view of a portable oxygen supply apparatus, showing my new design; FIG. 2 is a rear bottom and right side perspective view thereof;

(56) **References Cited**

U.S. PATENT DOCUMENTS

D225,692 S * 12/1972 Bird et al. D24/110
5,117,819 A * 6/1992 Servidio et al. 128/204.18
D332,662 S * 1/1993 Miya D24/164

FIG. 3 is a top plan view thereof;

FIG. 4 is a bottom plan view thereof;

FIG. 5 is a right side elevational view thereof;

FIG. 6 is a front side elevational view thereof; and,

FIG. 7 is a rear side elevational view thereof.

1 Claim, 3 Drawing Sheets

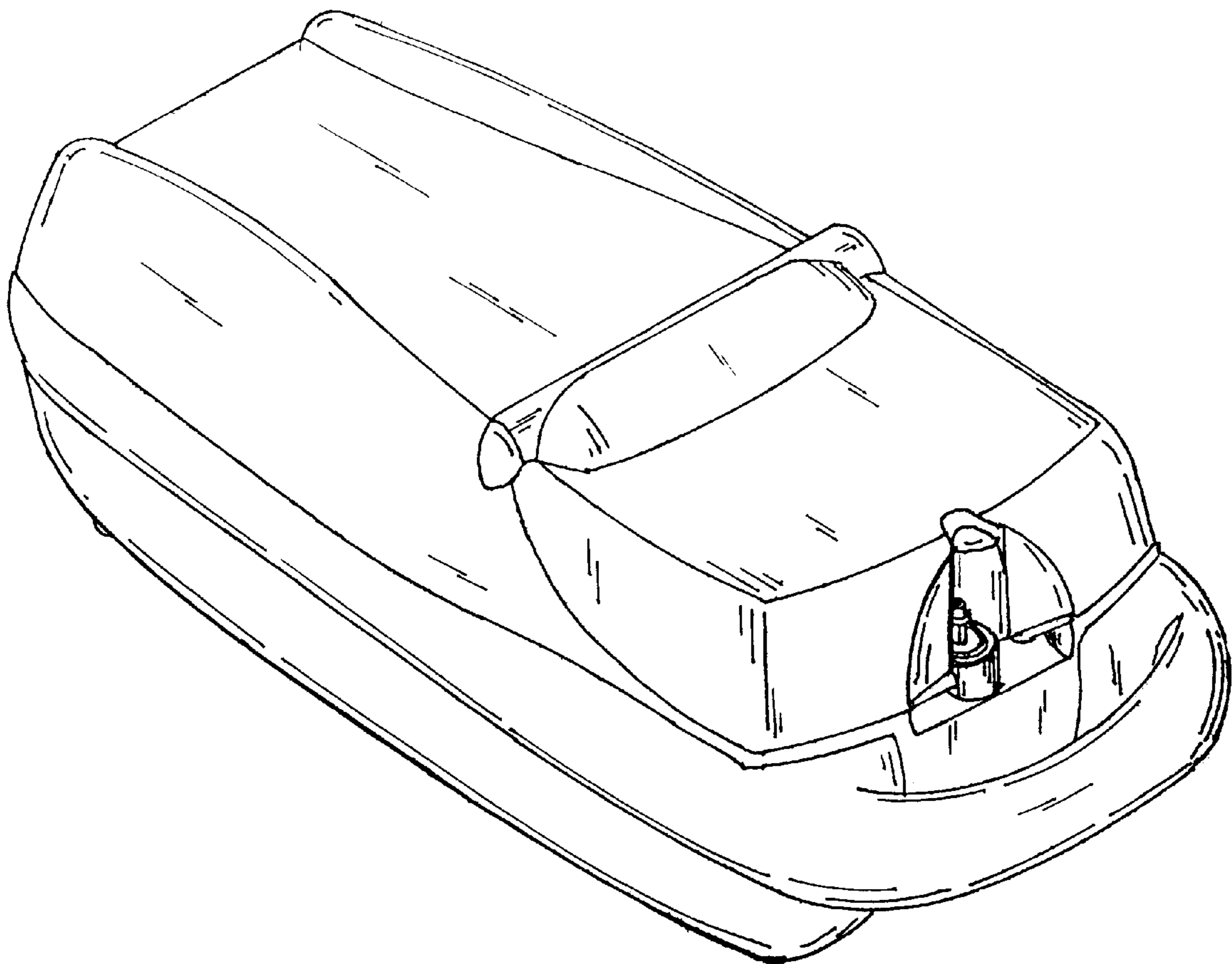


FIG. 1

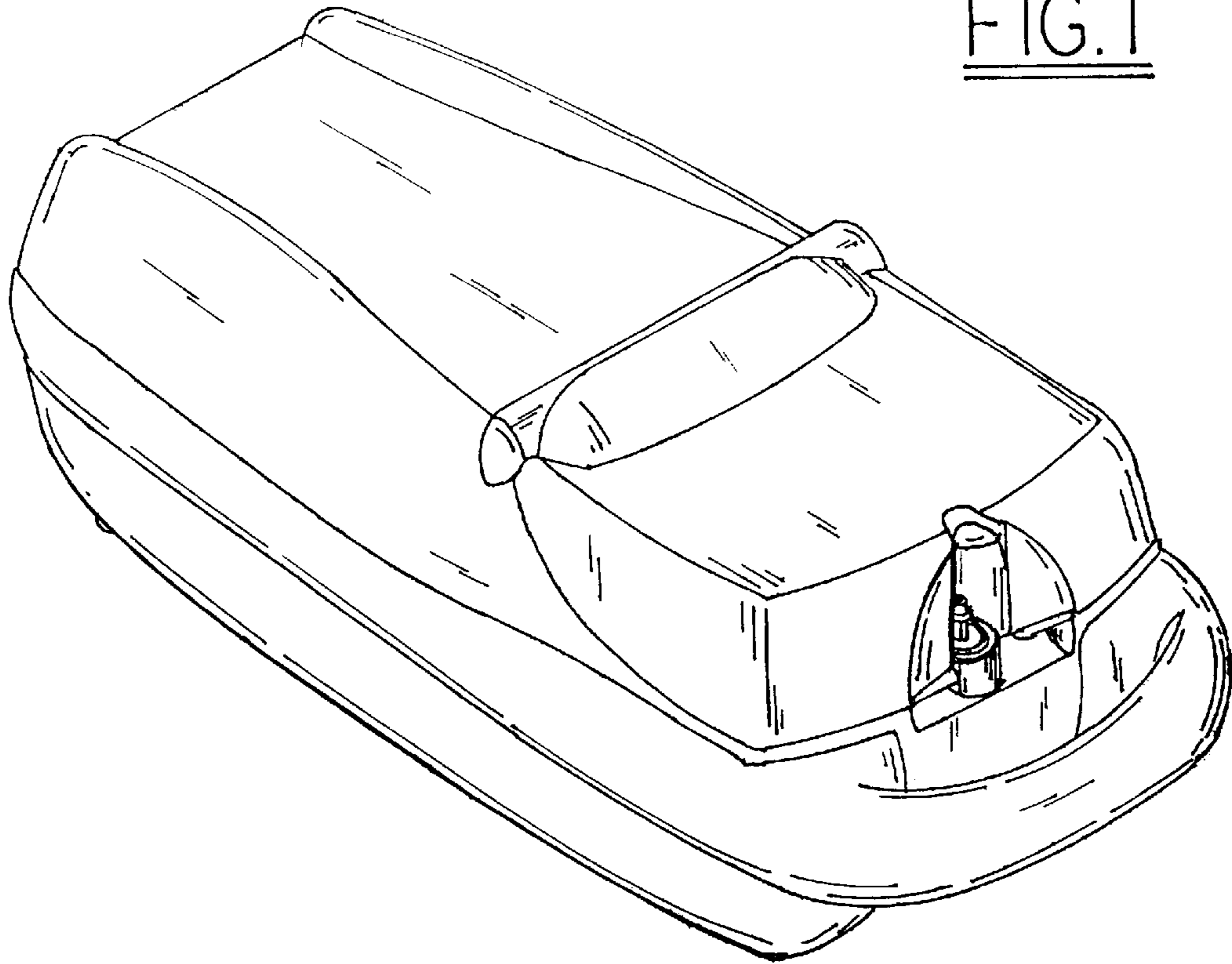
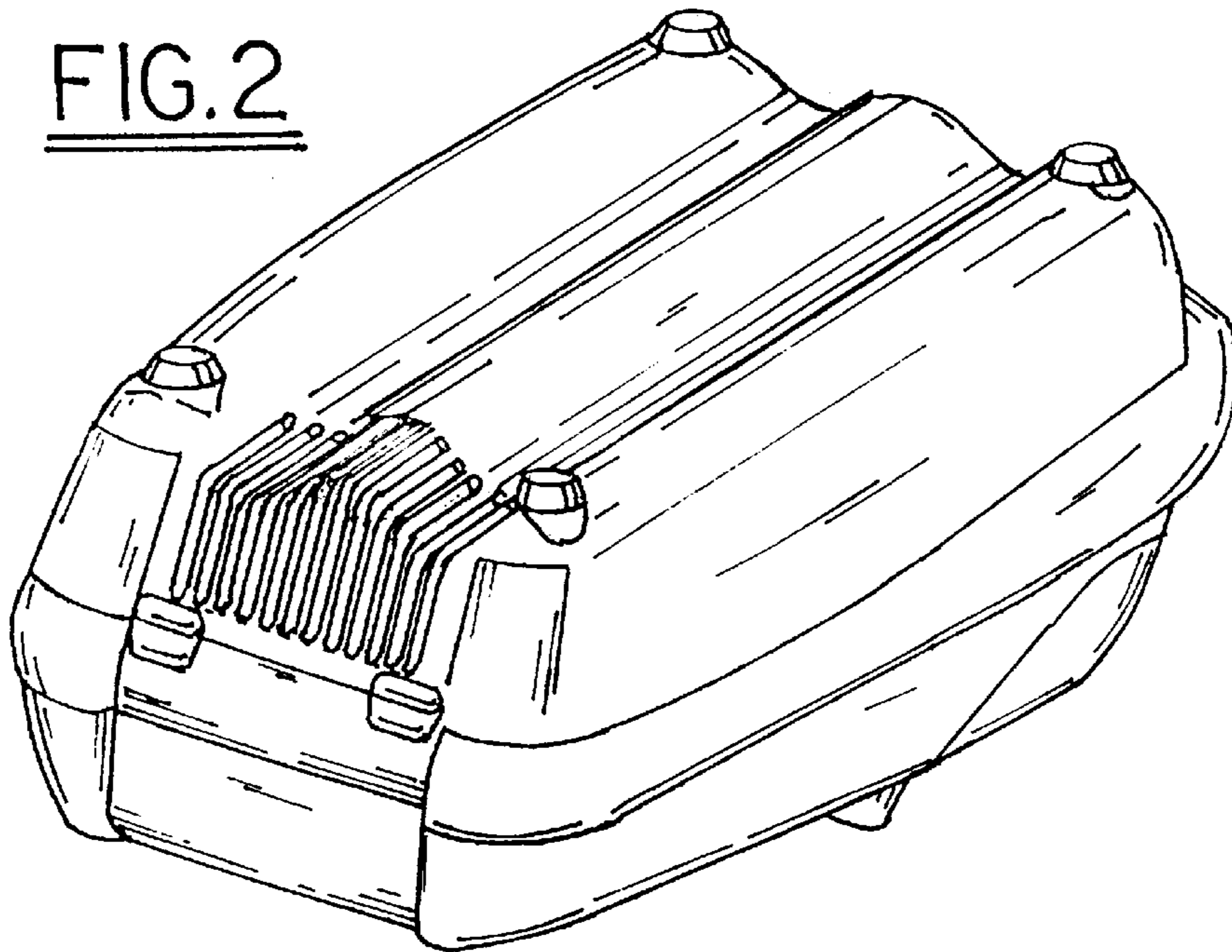


FIG. 2



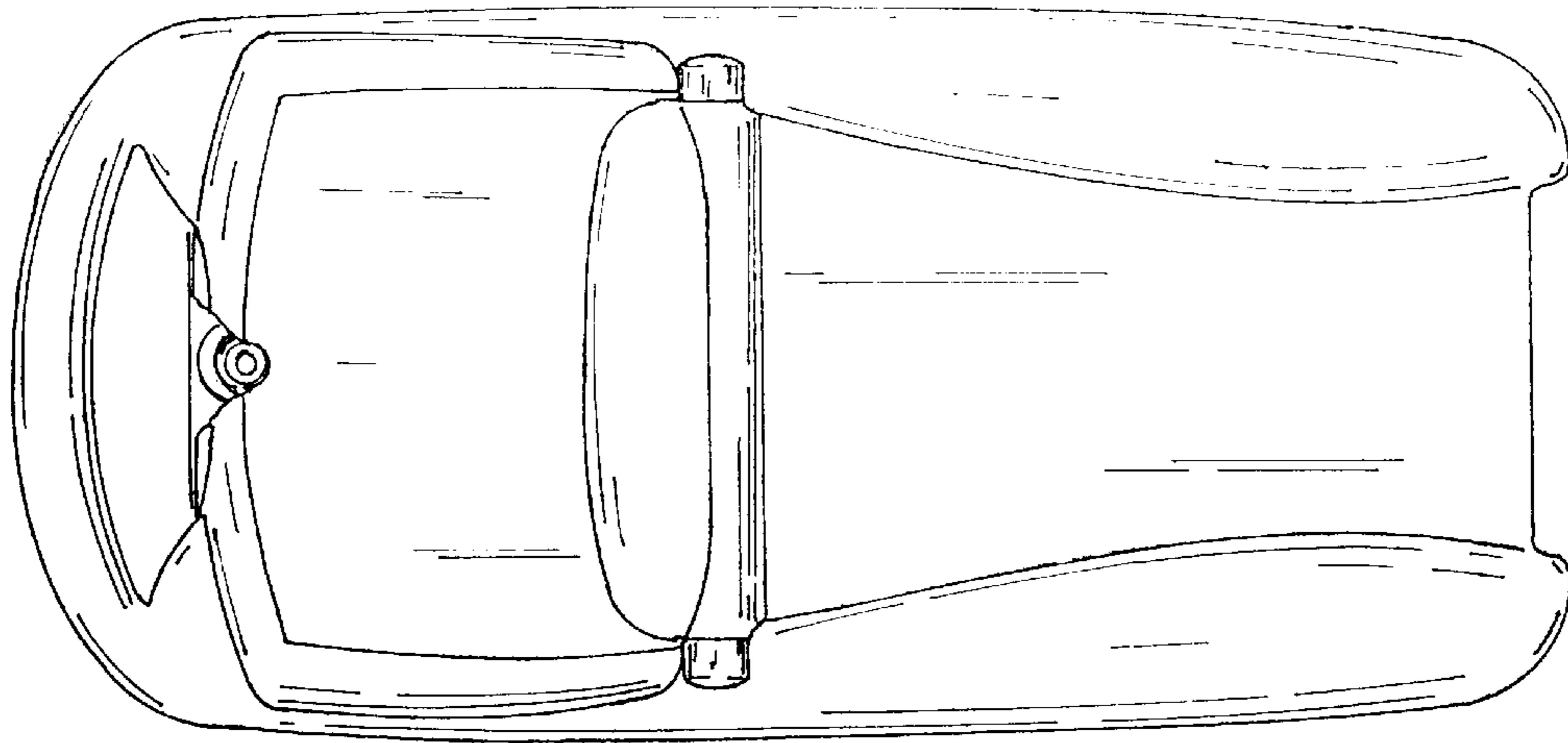


FIG. 3

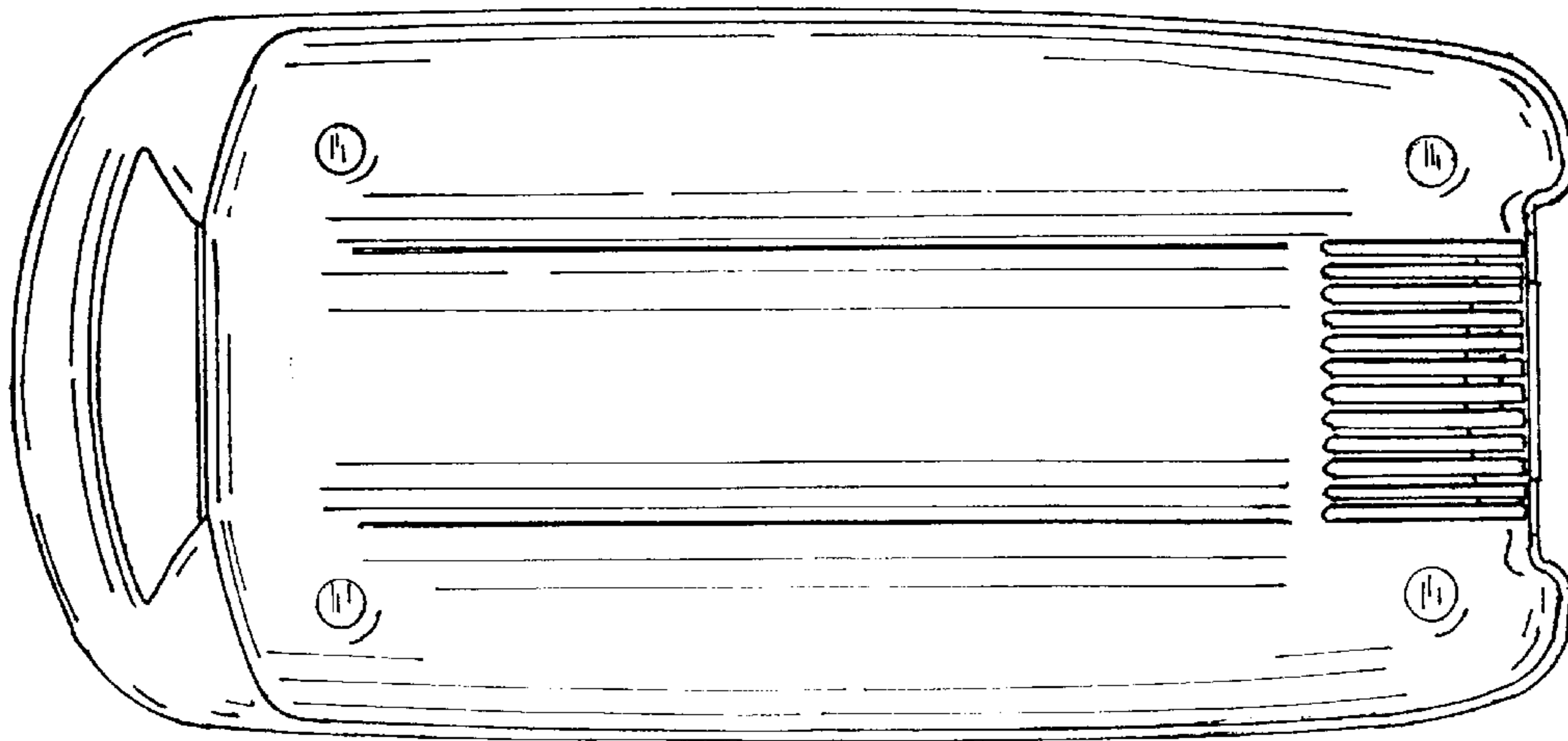


FIG. 4

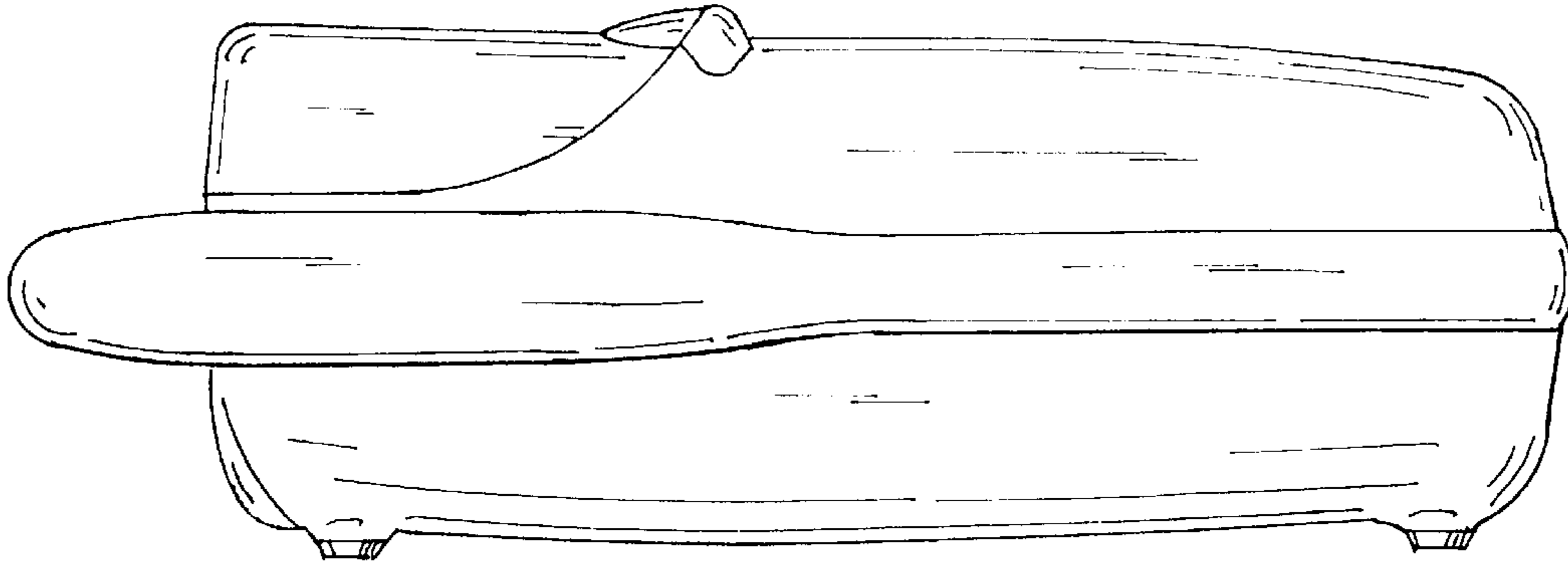


FIG. 5

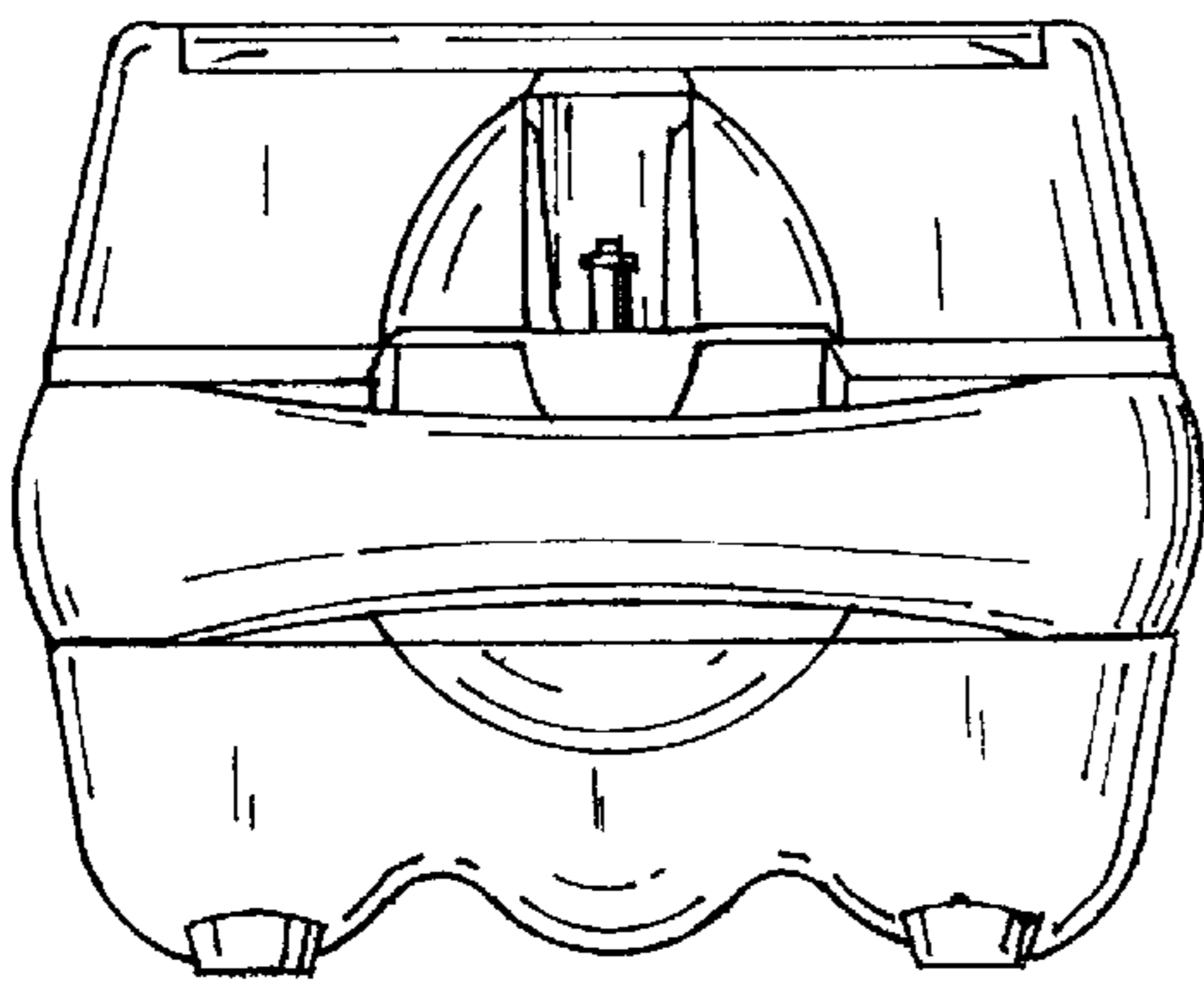


FIG. 6

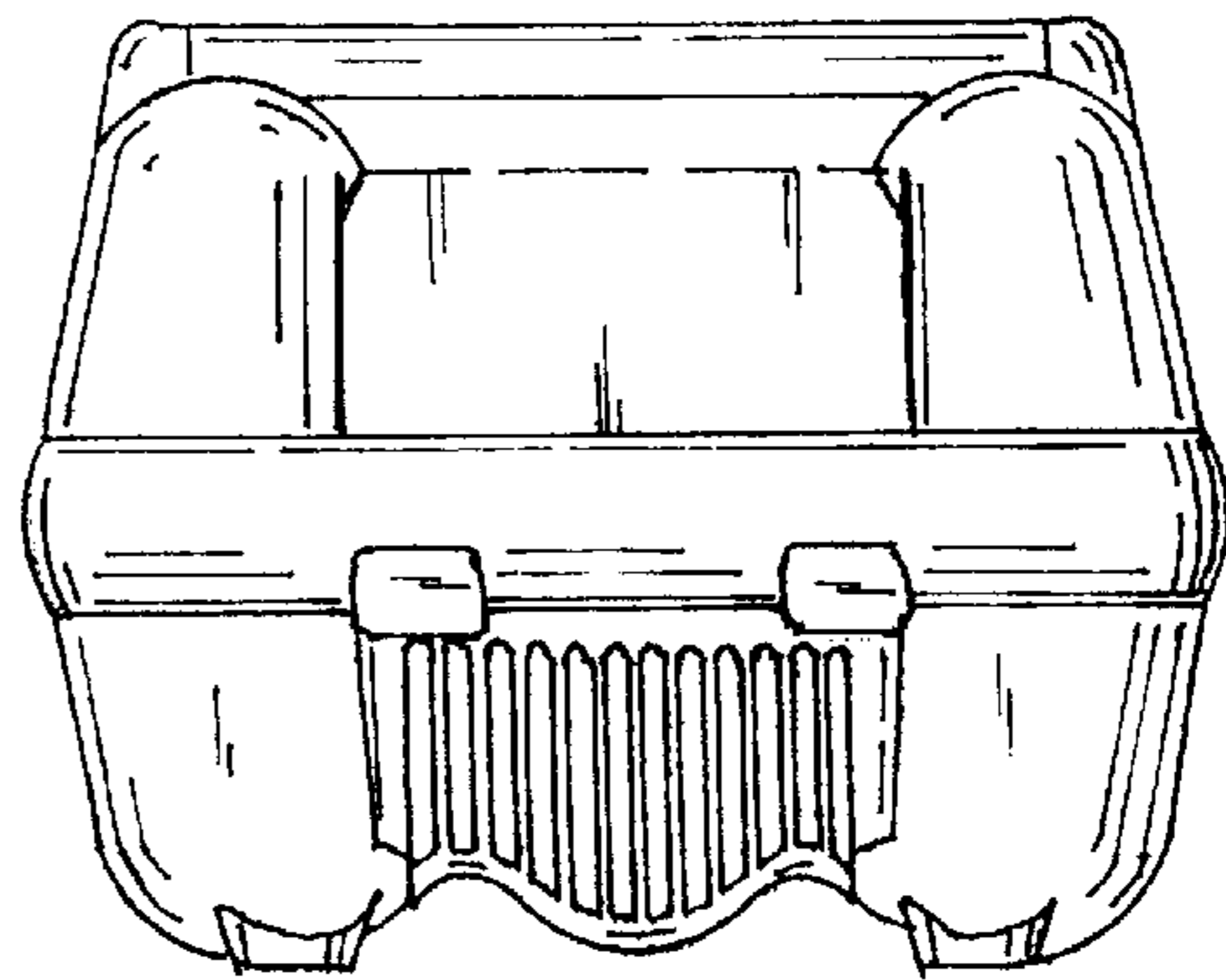


FIG. 7