



US00D468014S

(12) **United States Design Patent**
Girod

(10) **Patent No.:** **US D468,014 S**

(45) **Date of Patent:** **** Dec. 31, 2002**

(54) **URINAL HOLDER**

5,282,599 A * 2/1994 Arpaia et al. 248/311.2
D402,161 S * 12/1998 Fischer, Jr. D7/620

(76) Inventor: **Barbara Girod**, 358 W. Church Ave.,
Masontown, PA (US) 15461

* cited by examiner

(**) Term: **14 Years**

Primary Examiner—Ian Simmons

(74) *Attorney, Agent, or Firm*—Buchanan Ingersoll, P.C.

(21) Appl. No.: **29/149,291**

(57) **CLAIM**

(22) Filed: **Oct. 5, 2001**

The ornamental design for a urinal holder, as shown and described.

(51) **LOC (7) Cl.** **24-04**

DESCRIPTION

(52) **U.S. Cl.** **D24/128; D7/620; D24/122**

(58) **Field of Search** D24/128, 122,
D24/127; D7/620; 5/640, 641, 634; 248/298.1,
315, 311.2, 302, 305, 313, 316.1, 231.71,
229.15, 229.25, 230.6, 228.6, 231.85; 4/144.1,
144.2, 144.3, 144.4

FIG. 1 is a front perspective view of a urinal holder shown attached to a portion of a bedrail illustrated in dotted line; FIG. 2 is a front view thereof; FIG. 3 is a left side view thereof; FIG. 4 is a rear view thereof; FIG. 5 is a top view thereof; and, FIG. 6 is a bottom view thereof.

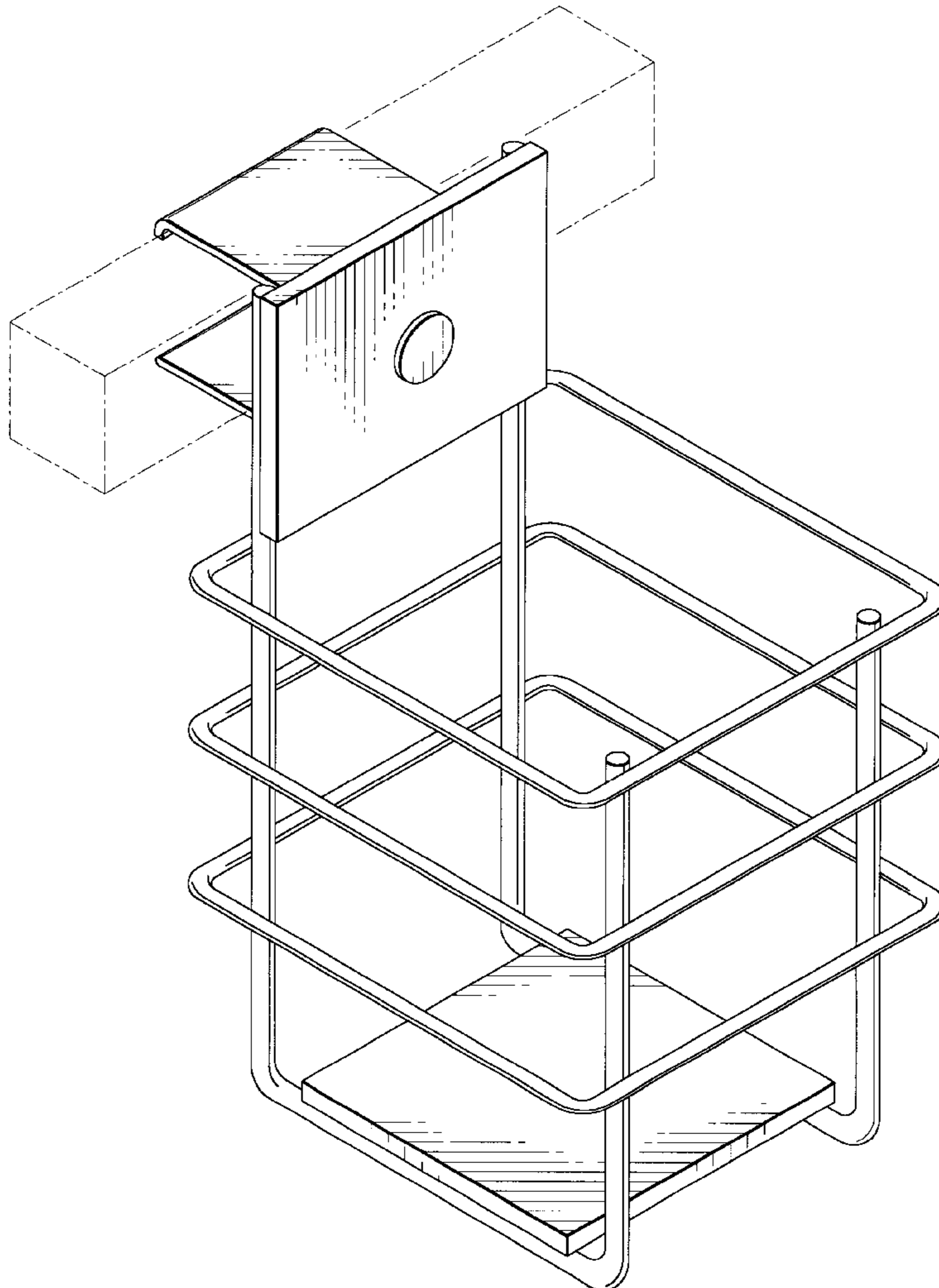
(56) **References Cited**

U.S. PATENT DOCUMENTS

2,291,870 A * 8/1942 Blair et al. 248/231.85
3,021,106 A * 2/1962 Kramer 248/311.2
3,734,439 A * 5/1973 Wintz 248/311.2
4,573,653 A * 3/1986 Boettger 248/311.2

The bedrail shown in dotted line illustrates the environment in which the urinal holder is used and forms no part of the design.

1 Claim, 6 Drawing Sheets



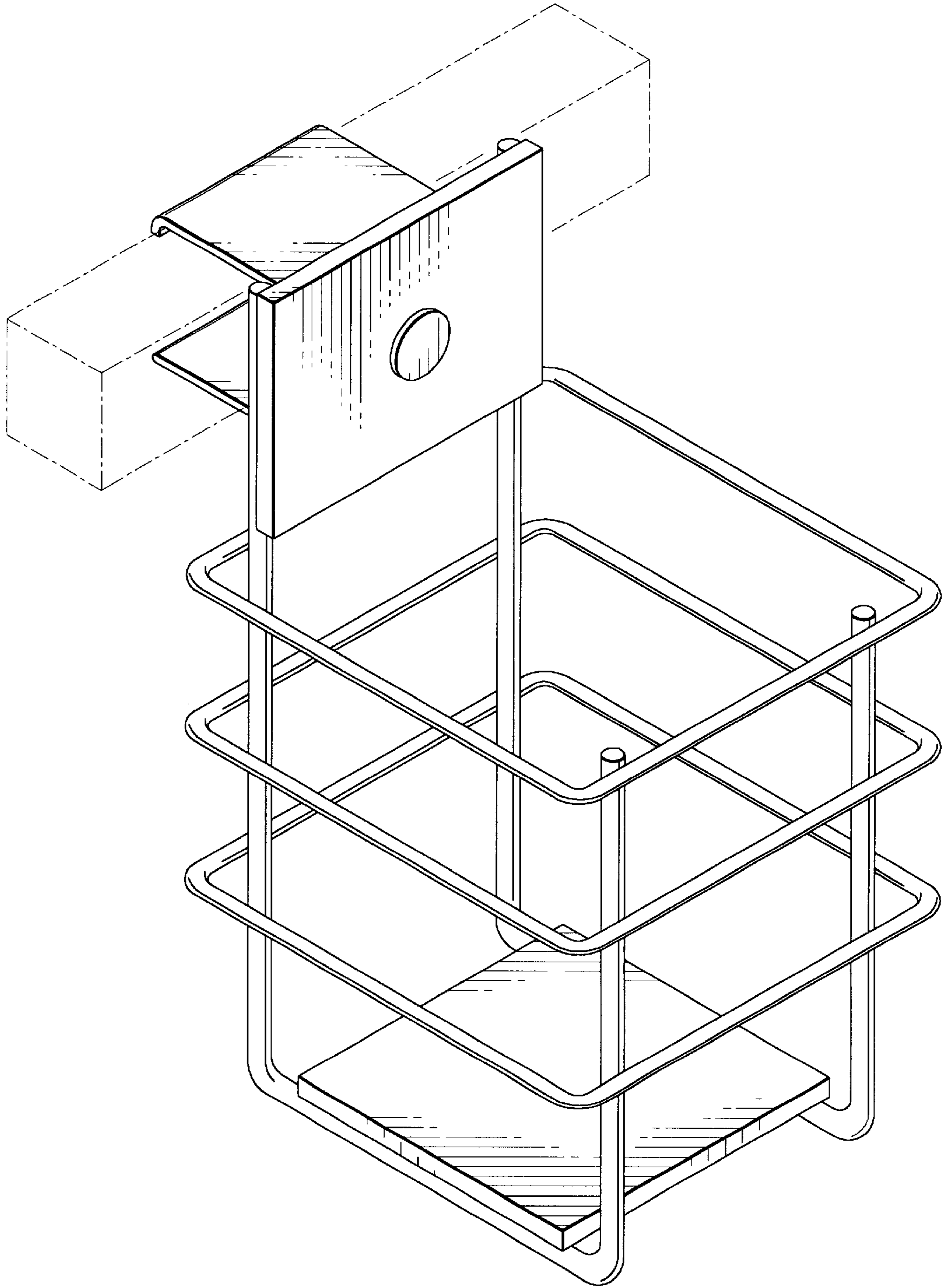


FIG. 1

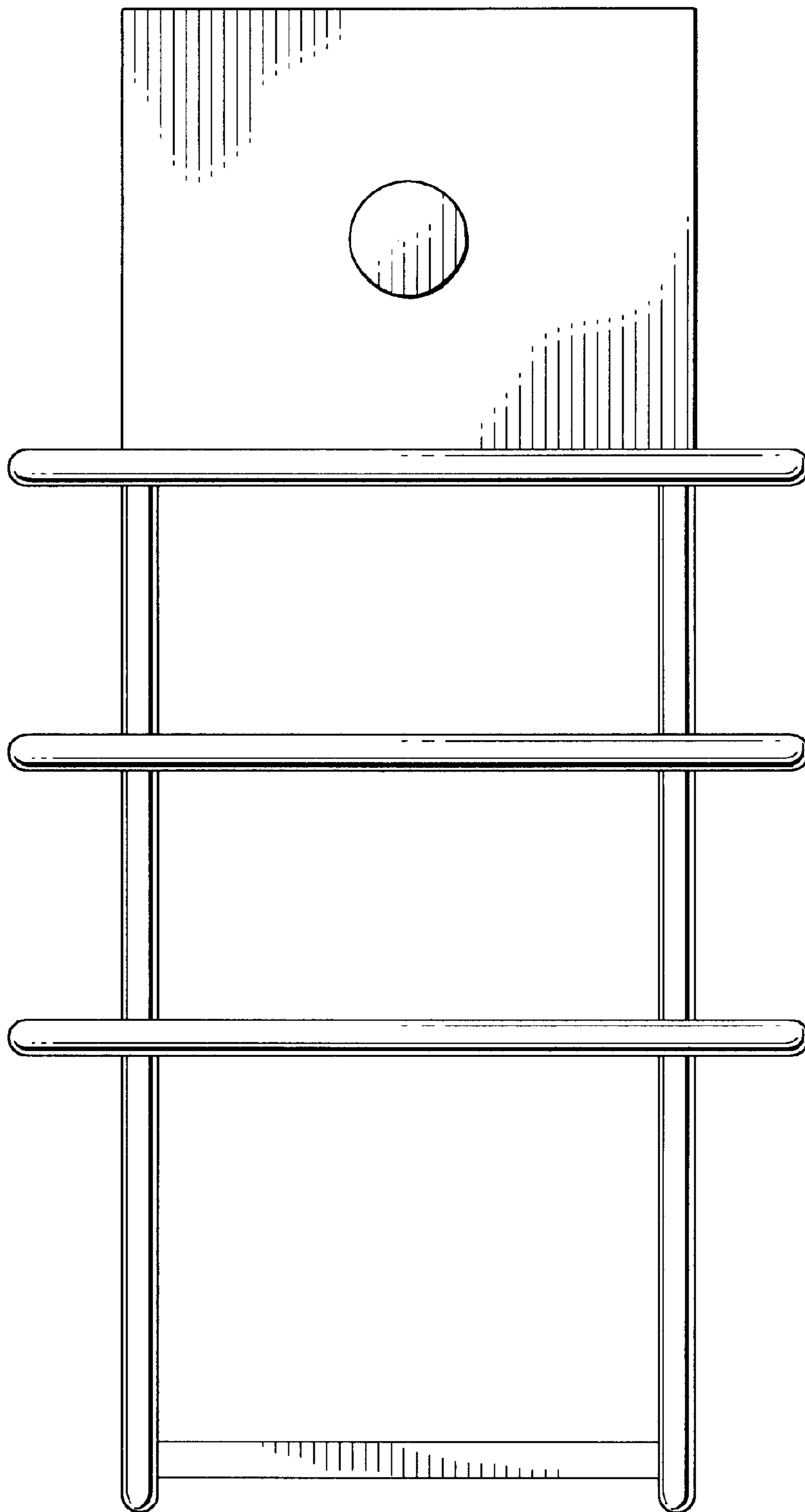


FIG. 2

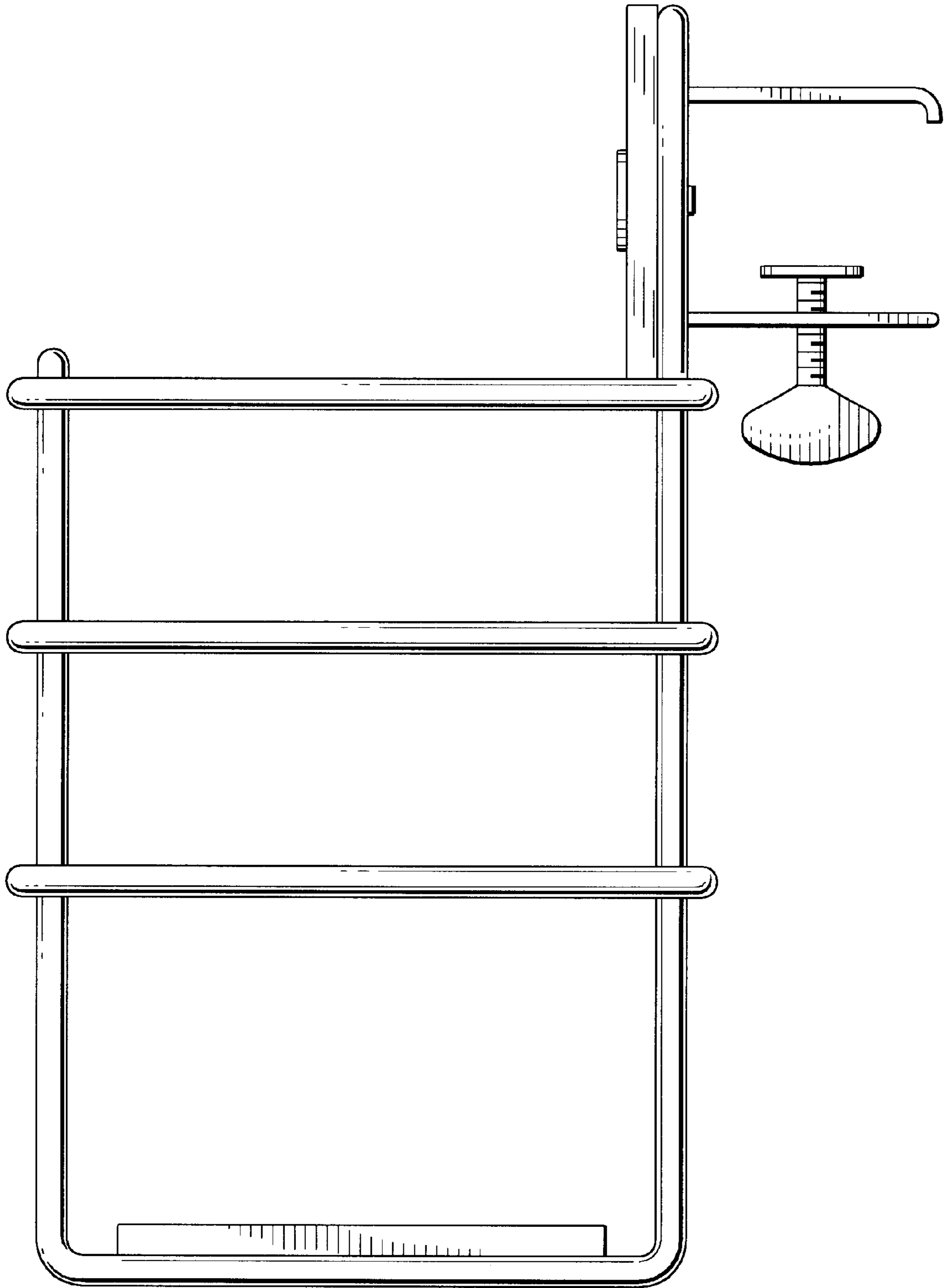


FIG. 3

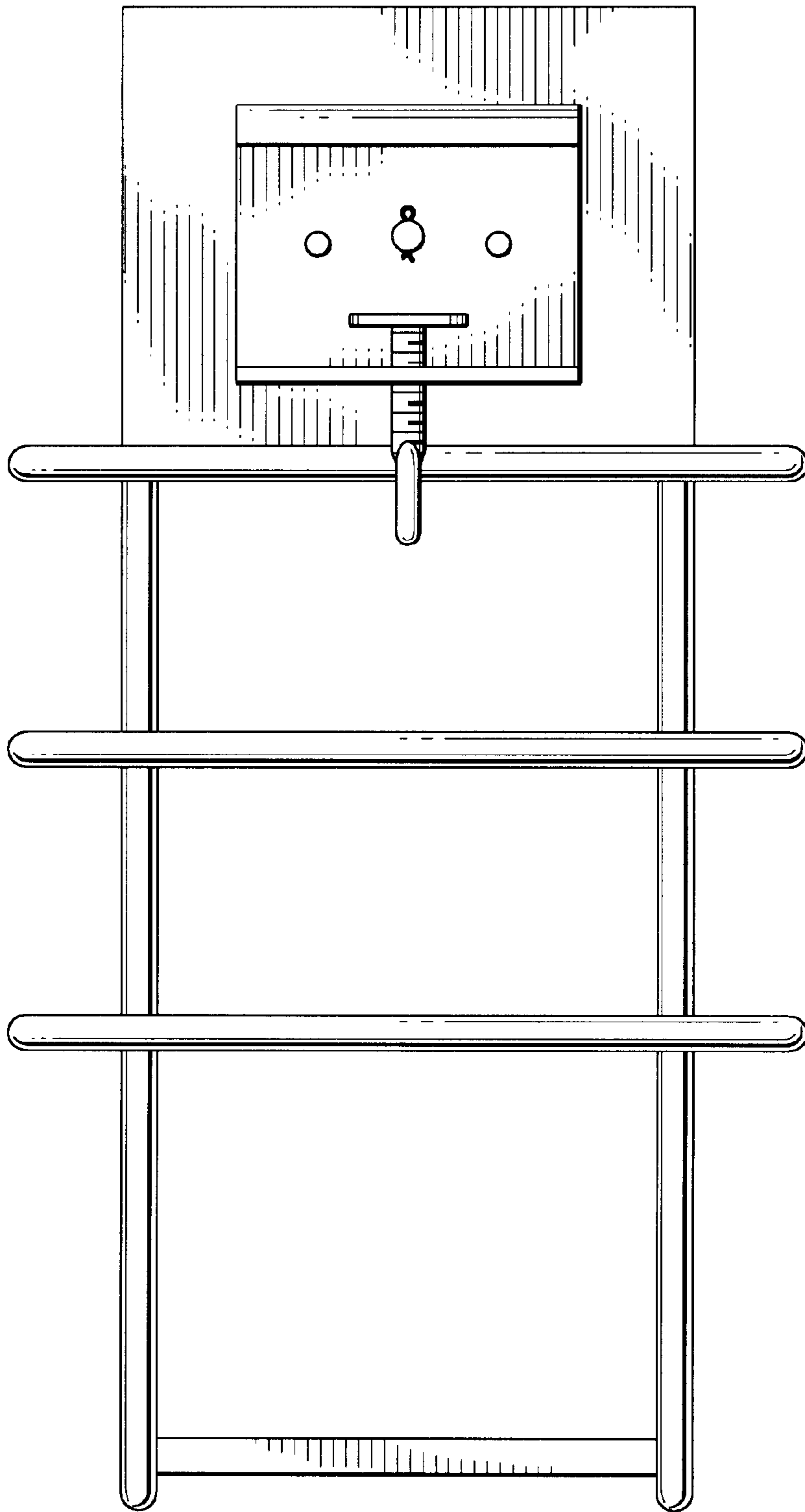


FIG. 4

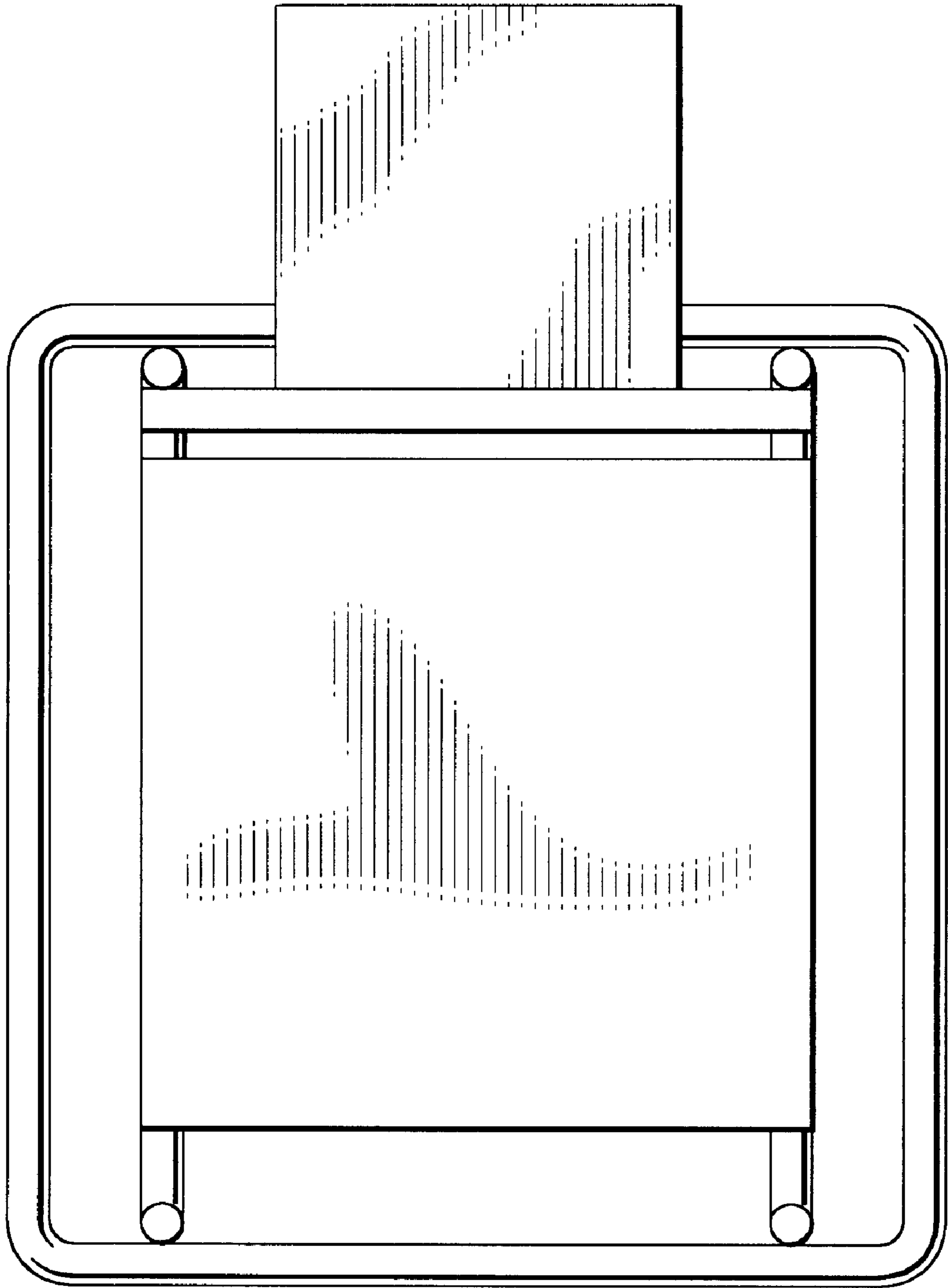


FIG. 5

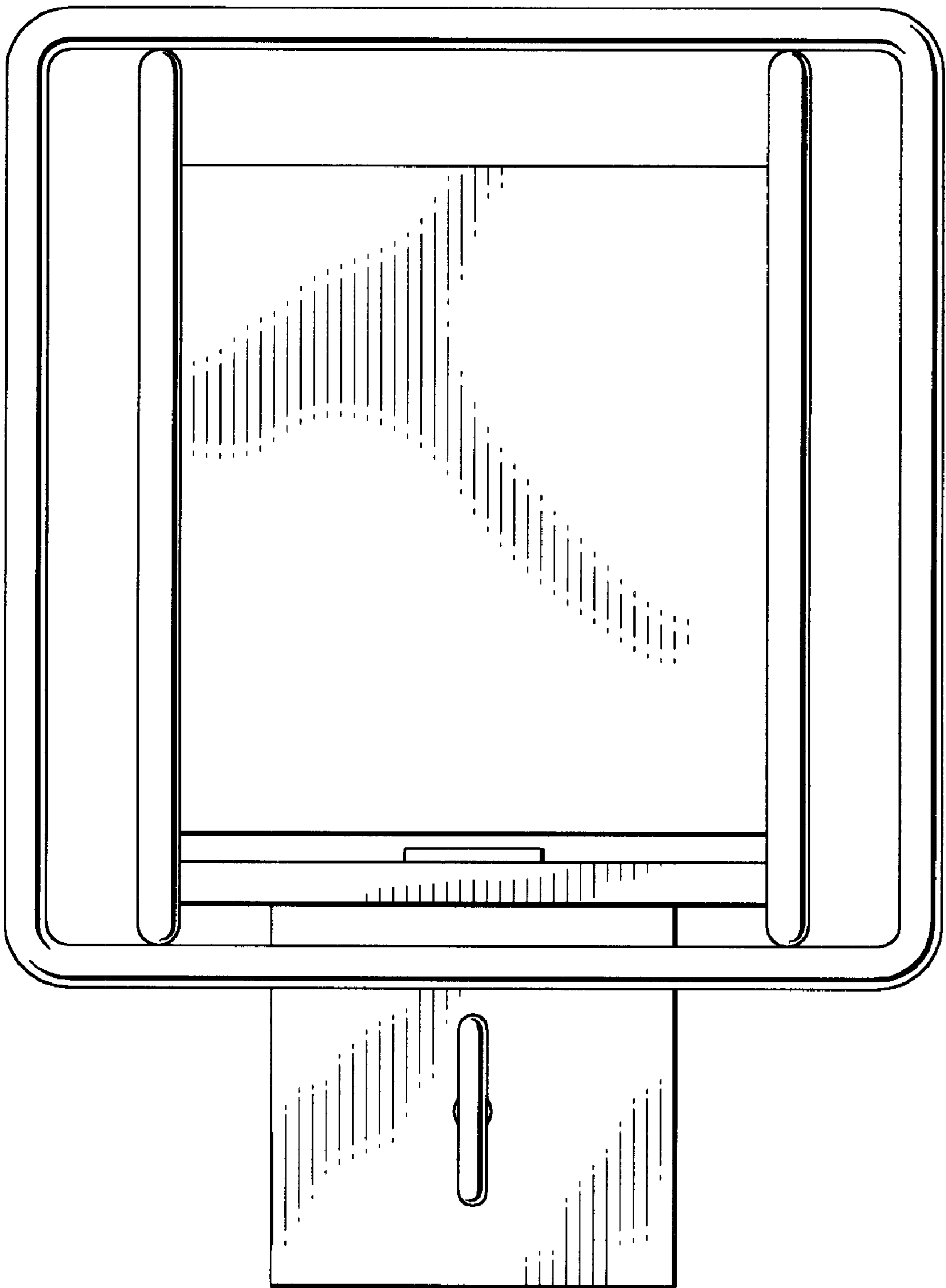


FIG. 6