



US00D468012S

(12) **United States Design Patent**
Shirley et al.

(10) **Patent No.:** **US D468,012 S**

(45) **Date of Patent:** **** Dec. 31, 2002**

(54) **GAUGE PROTECTOR**

6,041,812 A * 3/2000 Hilbers 137/382
6,311,722 B1 * 11/2001 Gounot et al. 137/377

(75) Inventors: **Kiffa G. L. Shirley**, Maryland Heights,
MO (US); **Robert E. Sever**, Florissant,
MO (US); **William C. Dean**, Valley
Park, MO (US)

* cited by examiner

Primary Examiner—Ian Simmons
(74) *Attorney, Agent, or Firm*—Peter S. Gilster;
Greensfelder, Hemker & Gale, P.C.

(73) Assignee: **Essex Industries, Inc.**, St. Louis, MO
(US)

(57) **CLAIM**

(**) Term: **14 Years**

What is claimed is the ornamental design for the gauge
protector, as shown and described.

(21) Appl. No.: **29/153,112**

DESCRIPTION

(22) Filed: **Nov. 9, 2001**

FIG. 1 is a perspective view from above showing the upper
surface and front surface of the gauge protector;
FIG. 2 is a perspective view from above showing the upper
surface and rear surface of the gauge protector;
FIG. 3 is a side elevation view of the gauge protector;
FIG. 4 is a rear elevation view of the gauge protector;
FIG. 5 is a top view of the upper surface of the gauge
protector; and,
FIG. 6 is a bottom view of the lower surface of the gauge
protector.

(51) **LOC (7) Cl.** **29-02**

(52) **U.S. Cl.** **D24/110.6**

(58) **Field of Search** D24/110.6, 130;
D23/233; D8/354; 137/377, 382, 371, 382.5,
381, 378

(56) **References Cited**

U.S. PATENT DOCUMENTS

3,768,503 A * 10/1973 Billington 137/377

1 Claim, 3 Drawing Sheets

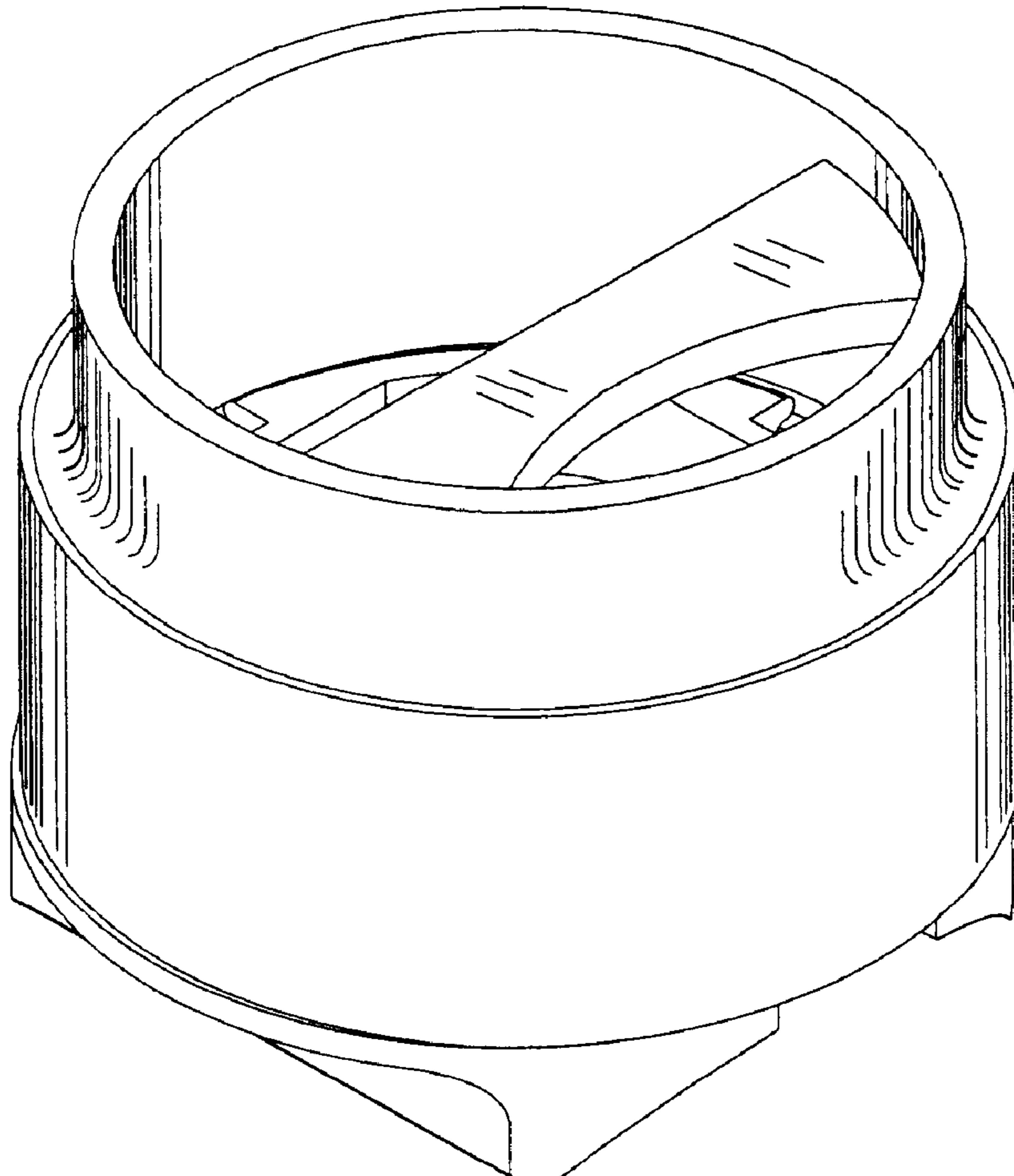


FIG. 1

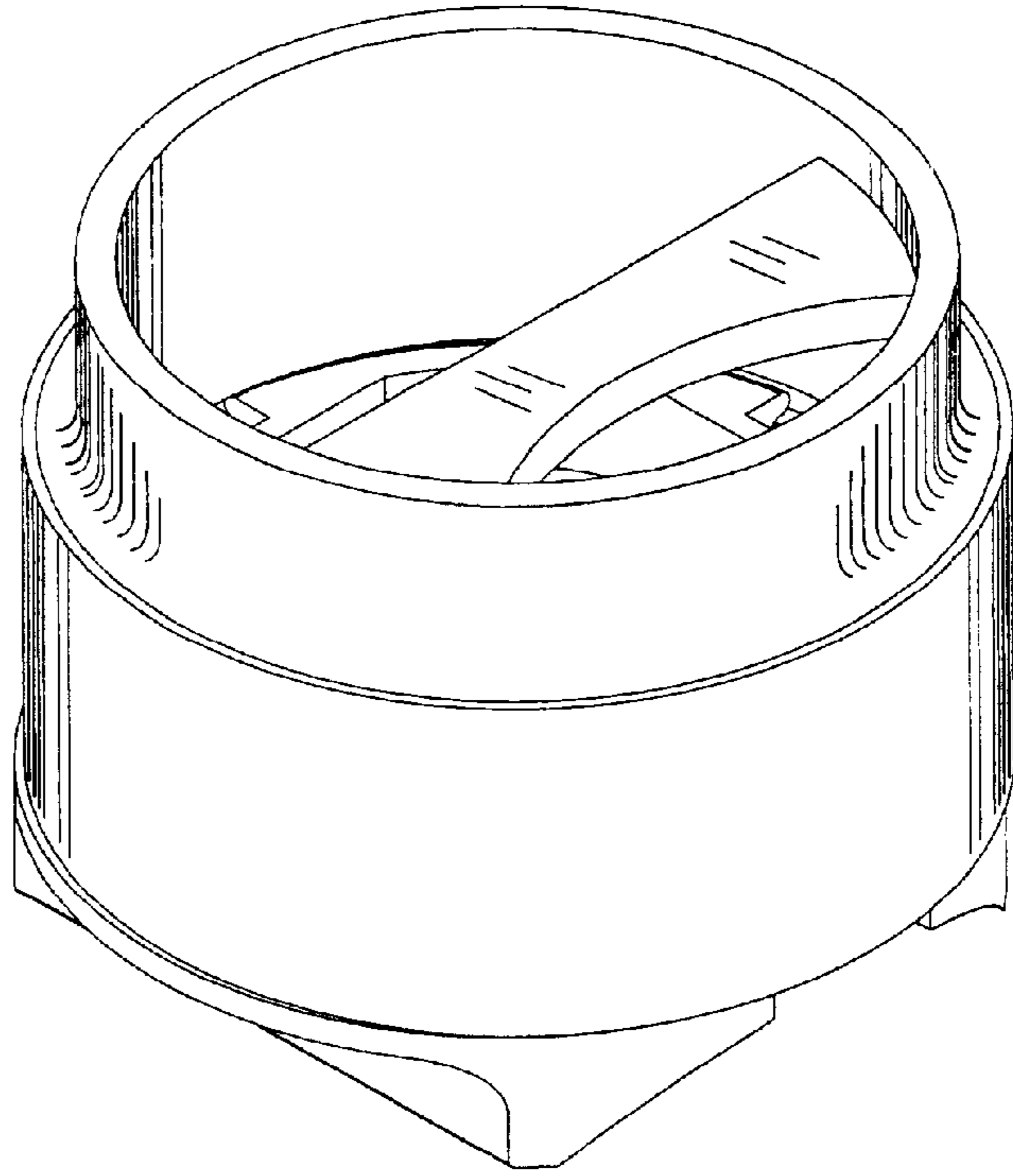


FIG. 2

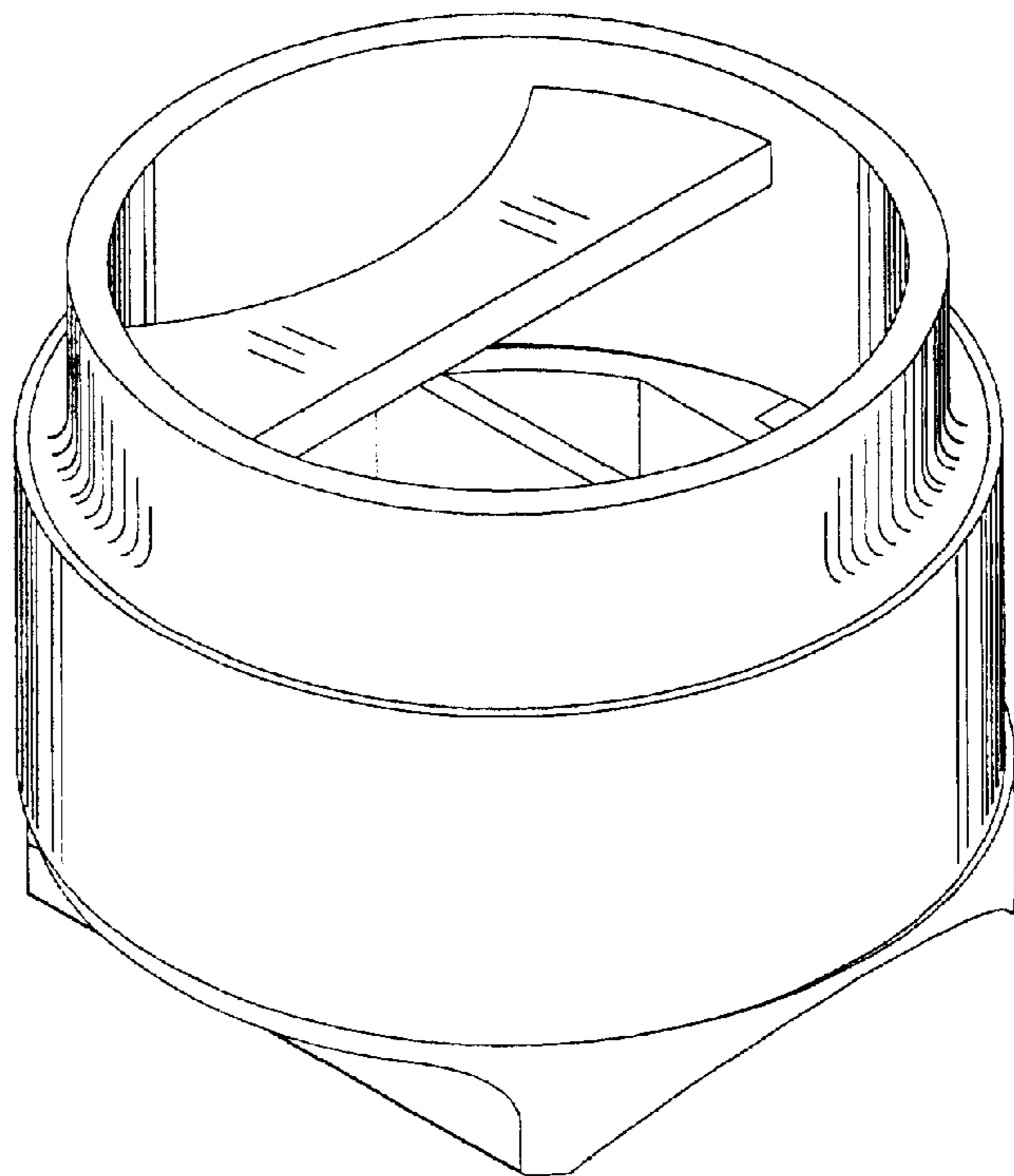


FIG. 3

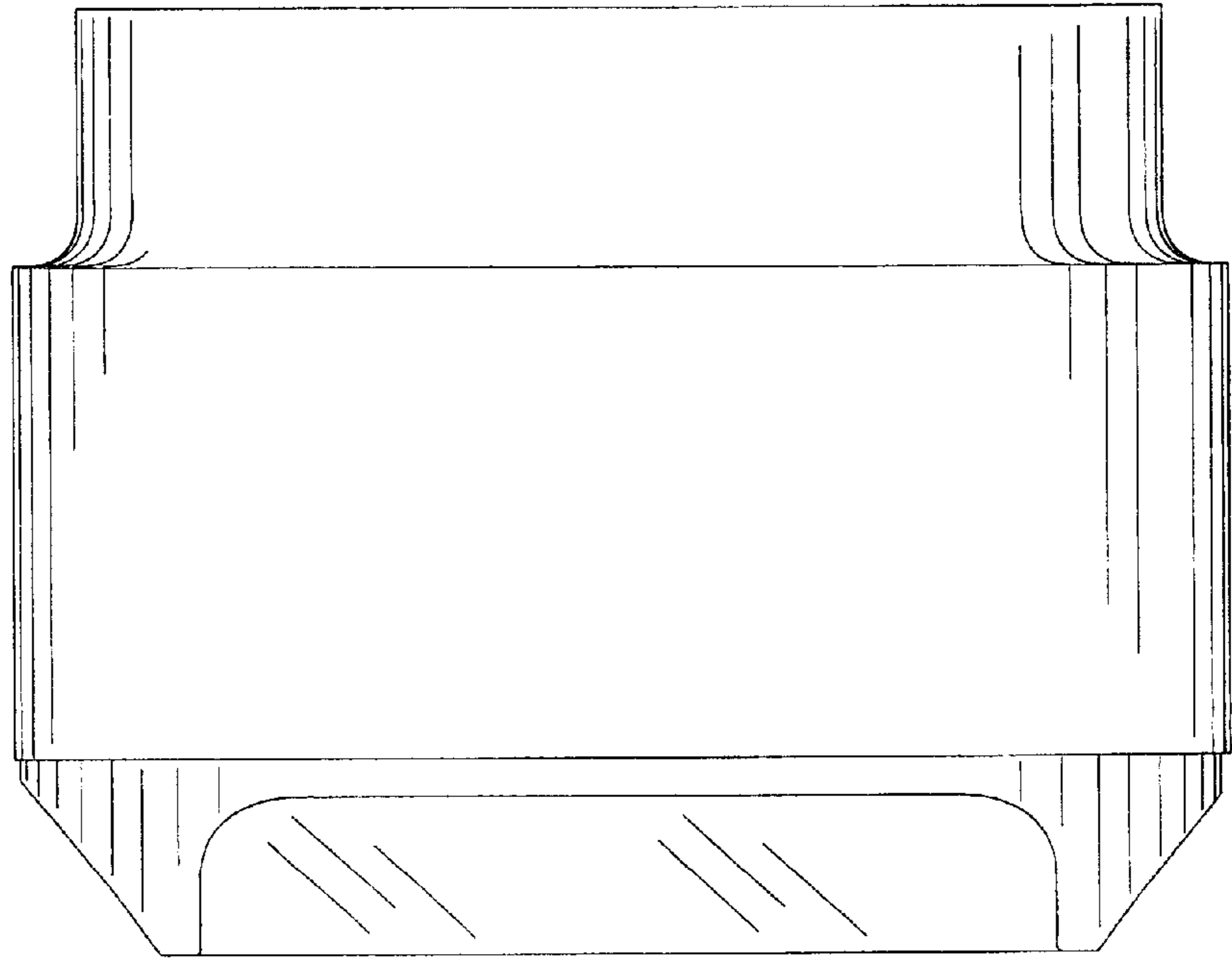


FIG. 4

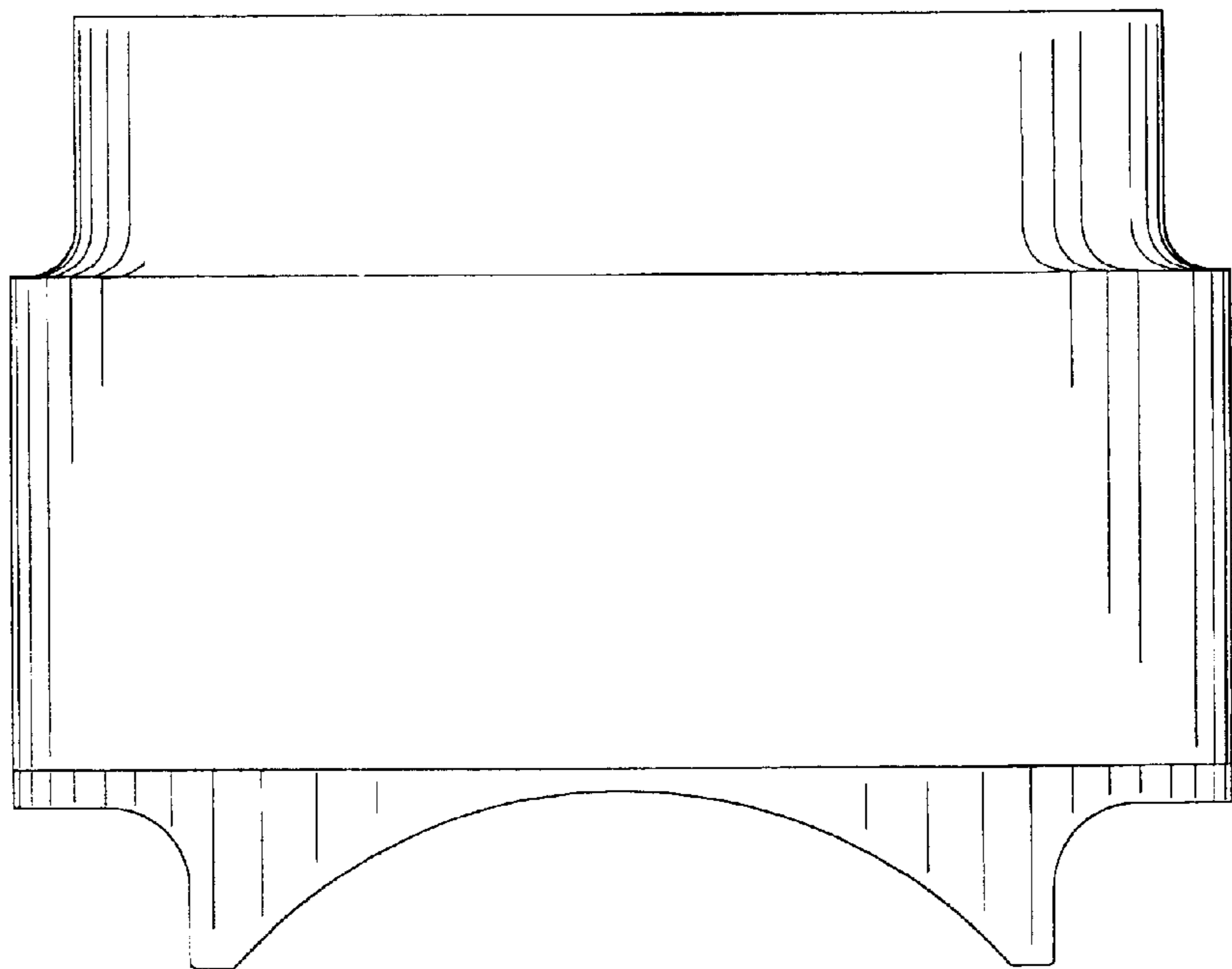


FIG. 5

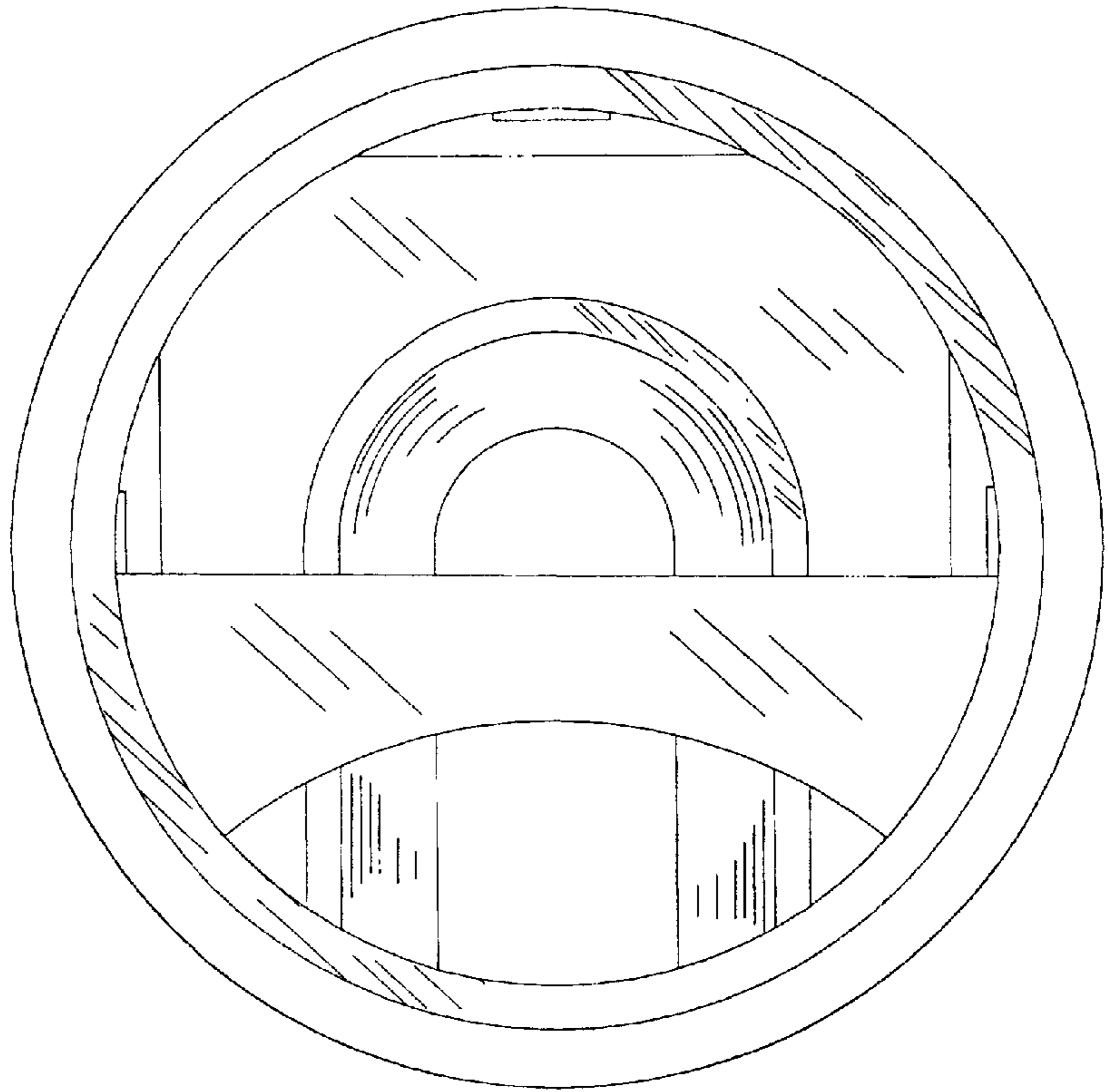


FIG. 6

