



US00D468008S

(12) **United States Design Patent**  
**Fraser et al.**

(10) **Patent No.:** **US D468,008 S**

(45) **Date of Patent:** **\*\* Dec. 31, 2002**

(54) **INSTRUMENT PANEL REGISTER**

(75) Inventors: **Jason Fraser, Waterloo (CA); Jan Caragea, Kitchener (CA); Joseph D'Angelo, Cambridge (CA)**

(73) Assignee: **Ultra Manufacturing Limited, Waterloo (CA)**

(\*\*) Term: **14 Years**

(21) Appl. No.: **29/157,812**

(22) Filed: **Mar. 27, 2002**

(51) **LOC (7) Cl.** ..... **23-04**

(52) **U.S. Cl.** ..... **D23/390**

(58) **Field of Search** ..... D23/354, 386-395, D23/411-412, 499; 72/67, 80, 82-84, 86; 52/95, 302.3, 473; 416/244 R, 247 R; D25/35, 142, 152-156; 329/347, 365-369; 454/237, 250, 275-283, 309-320

(56) **References Cited**

**U.S. PATENT DOCUMENTS**

D100,160 S	*	6/1936	Graff	.....	D29/327
D109,479 S	*	5/1938	Goldberg	.....	D23/390
4,875,317 A	*	10/1989	Logan et al.	.....	52/473 X
D325,433 S	*	4/1992	Siebert et al.	.....	D23/382
D370,723 S	*	6/1996	Nishizawa	.....	D23/387
5,971,847 A	*	10/1999	Webb	.....	454/316 X
D427,303 S	*	6/2000	Brown	.....	D23/390

\* cited by examiner

*Primary Examiner*—Louis S. Zarfaz  
*Assistant Examiner*—Robert A. Delehanty

(57) **CLAIM**

The ornamental design for an instrument panel register, as shown and described.

**DESCRIPTION**

FIG. 1 is a perspective view from the front of the instrument panel register showing my new design in a fully open position;

FIG. 2 is a perspective view from the back thereof;

FIG. 3 is a front view thereof;

FIG. 4 is a back view thereof;

FIG. 5 is a side view thereof;

FIG. 6 is a top view thereof;

FIG. 7 is a bottom view thereof;

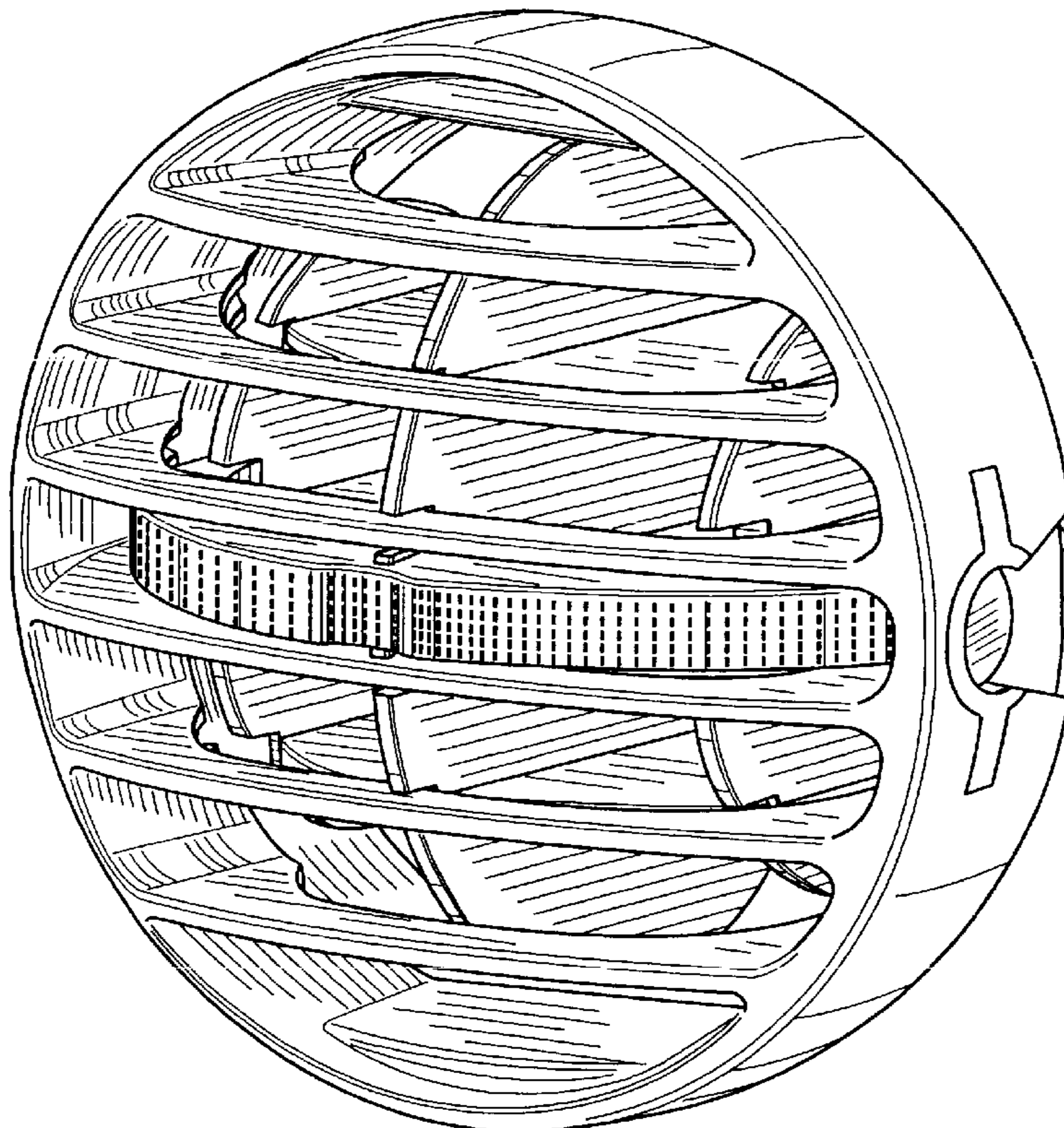
FIG. 8 is a front perspective view thereof, showing the instrument panel register in a first fully closed position;

FIG. 9 is a front perspective view thereof, showing the instrument panel register in a second fully closed position; and,

FIG. 10 is a front perspective view of a register in an open position shown on a greatly reduced scale with like registers installed in an instrument panel.

The broken lines showing of environment are for illustrative purposes only and form no part of the claimed design.

**1 Claim, 6 Drawing Sheets**



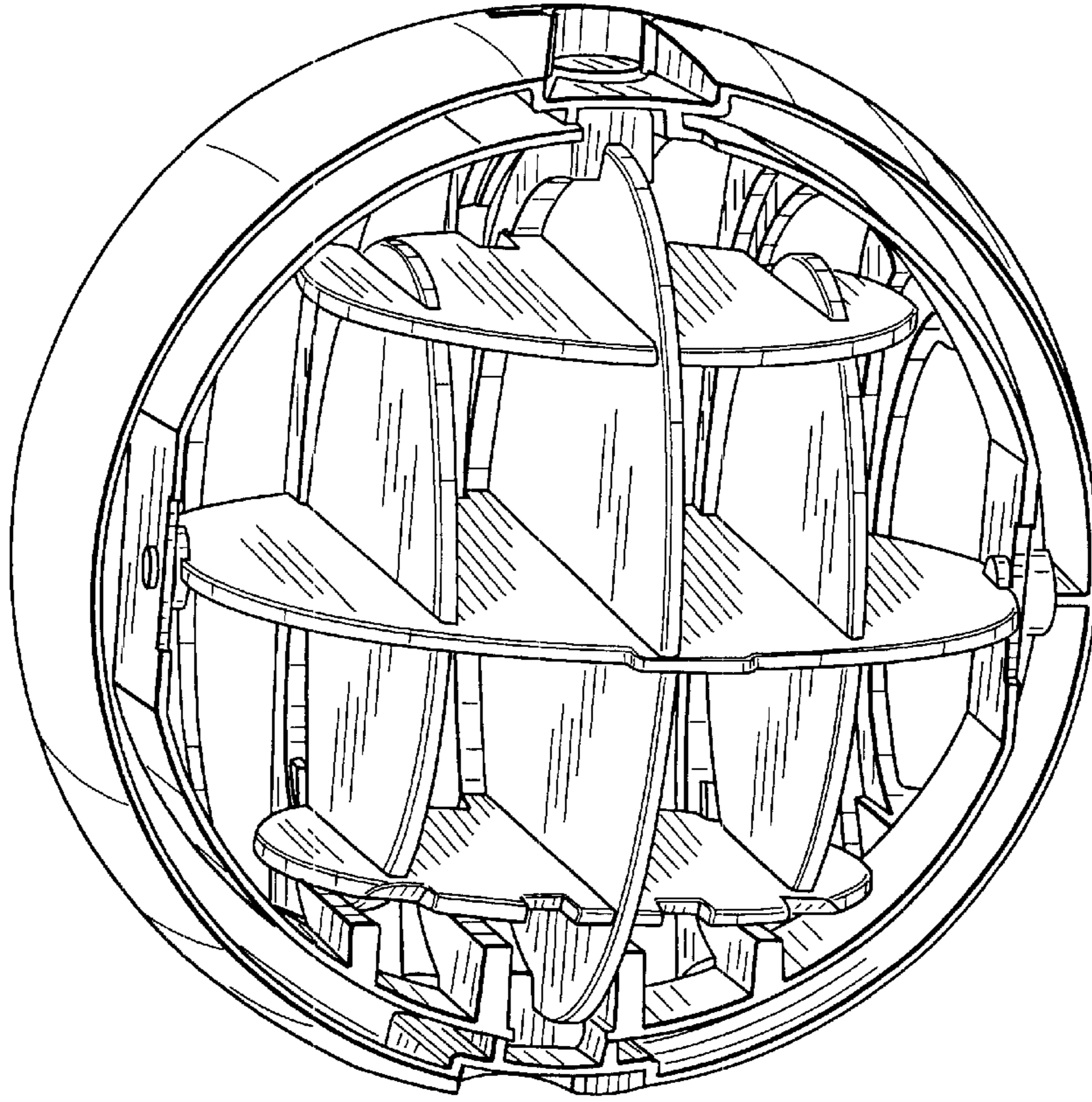


FIG. 2

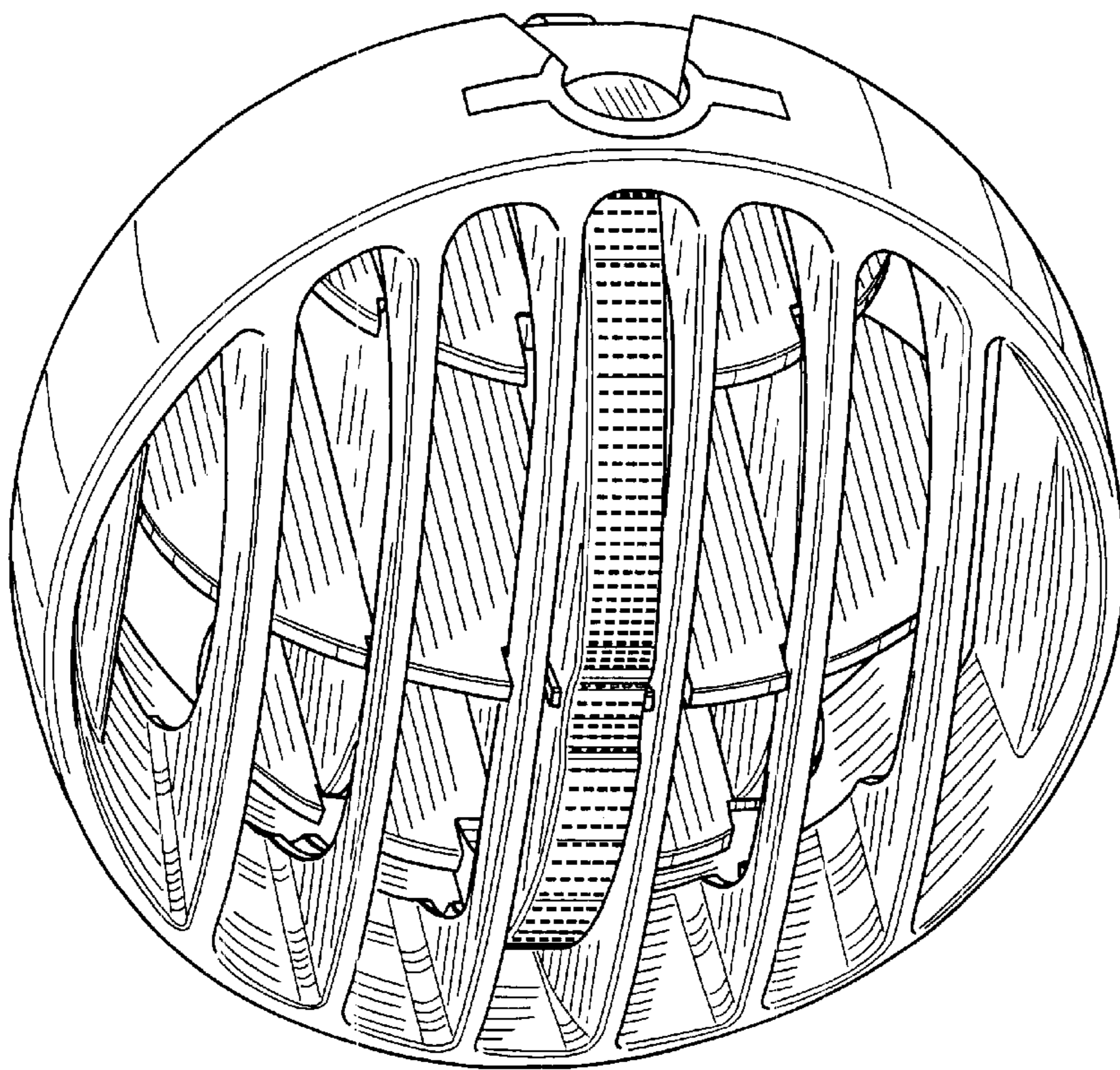


FIG. 1

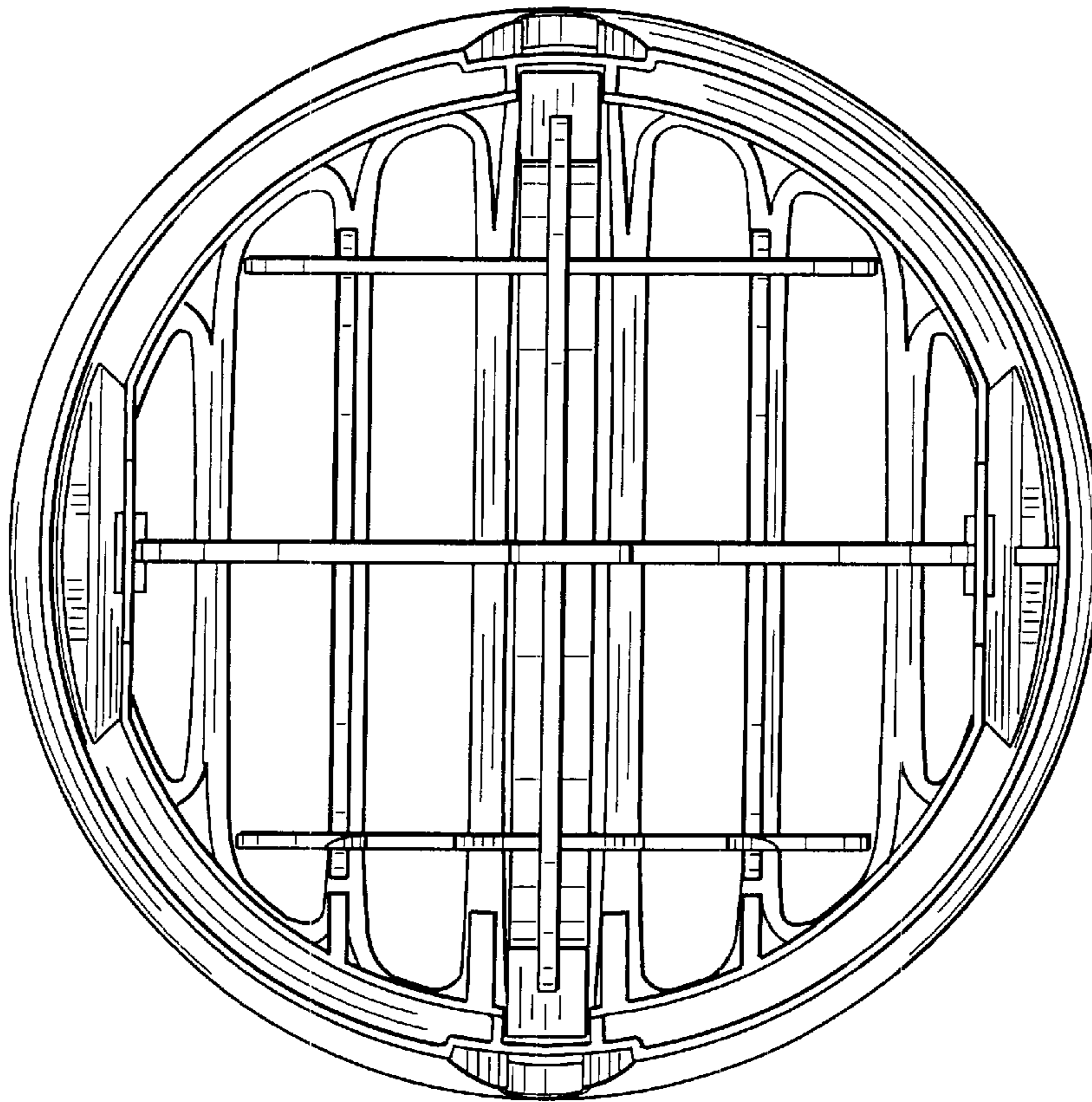


FIG. 4

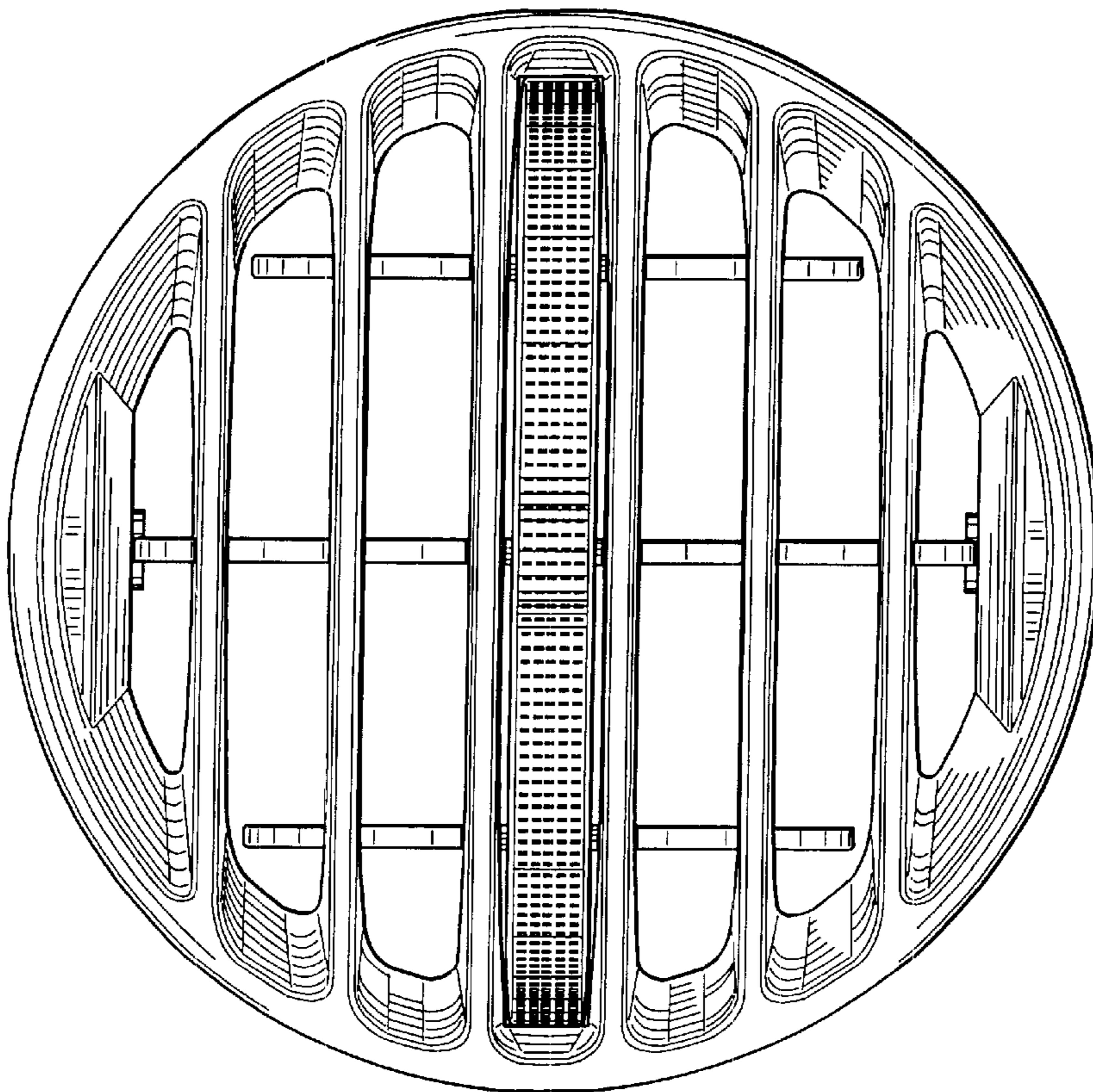


FIG. 3

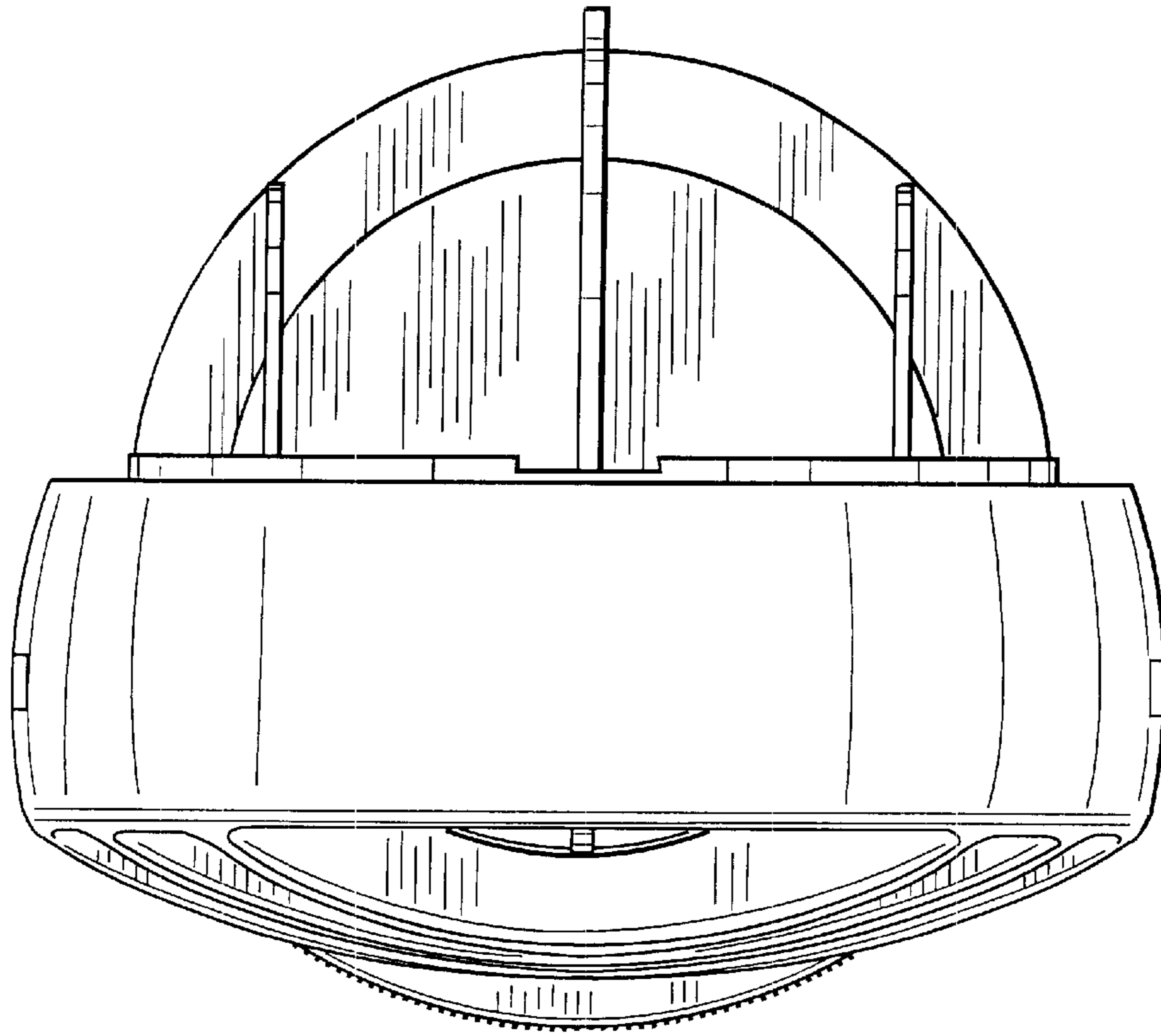


FIG. 6

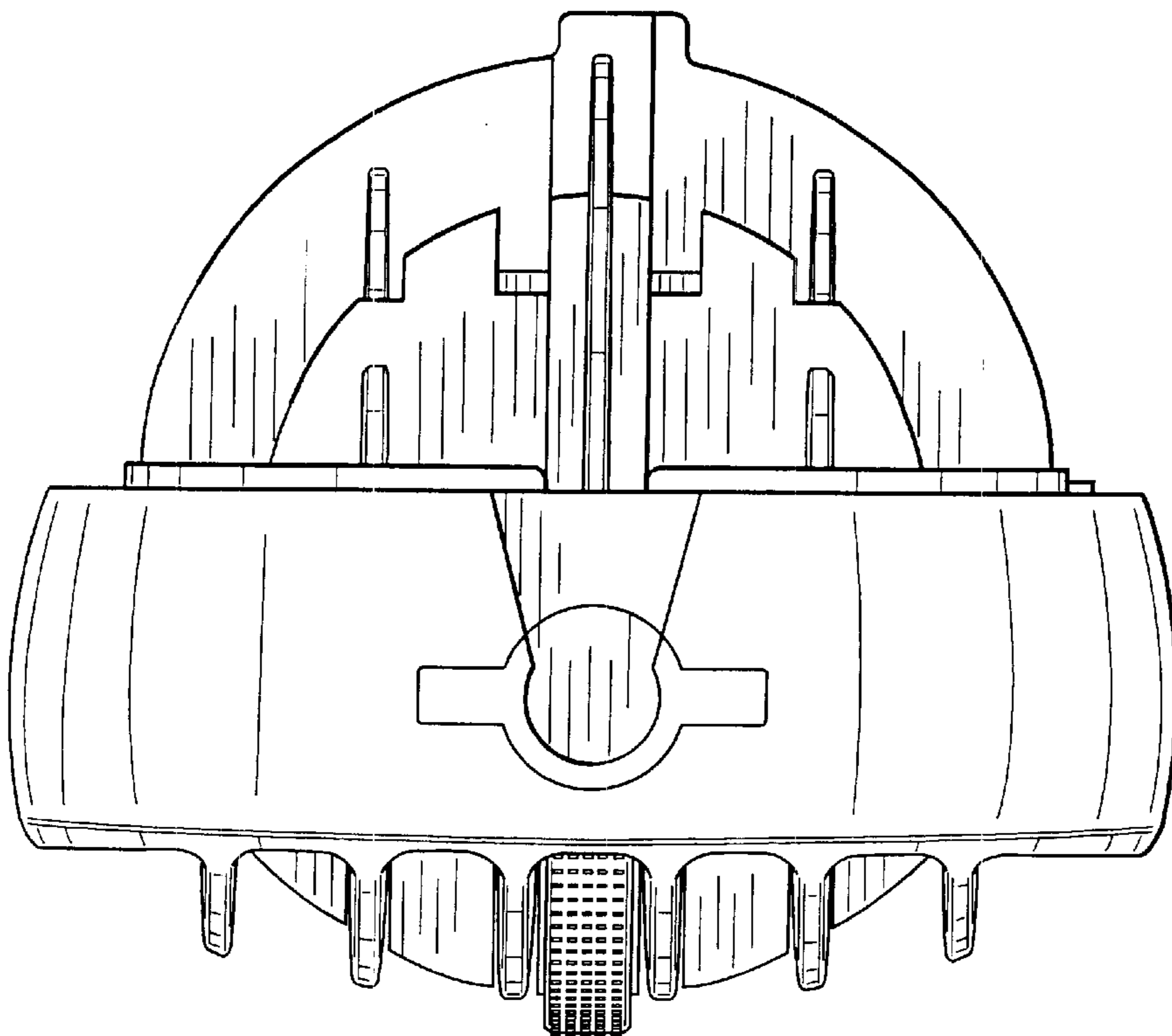


FIG. 5

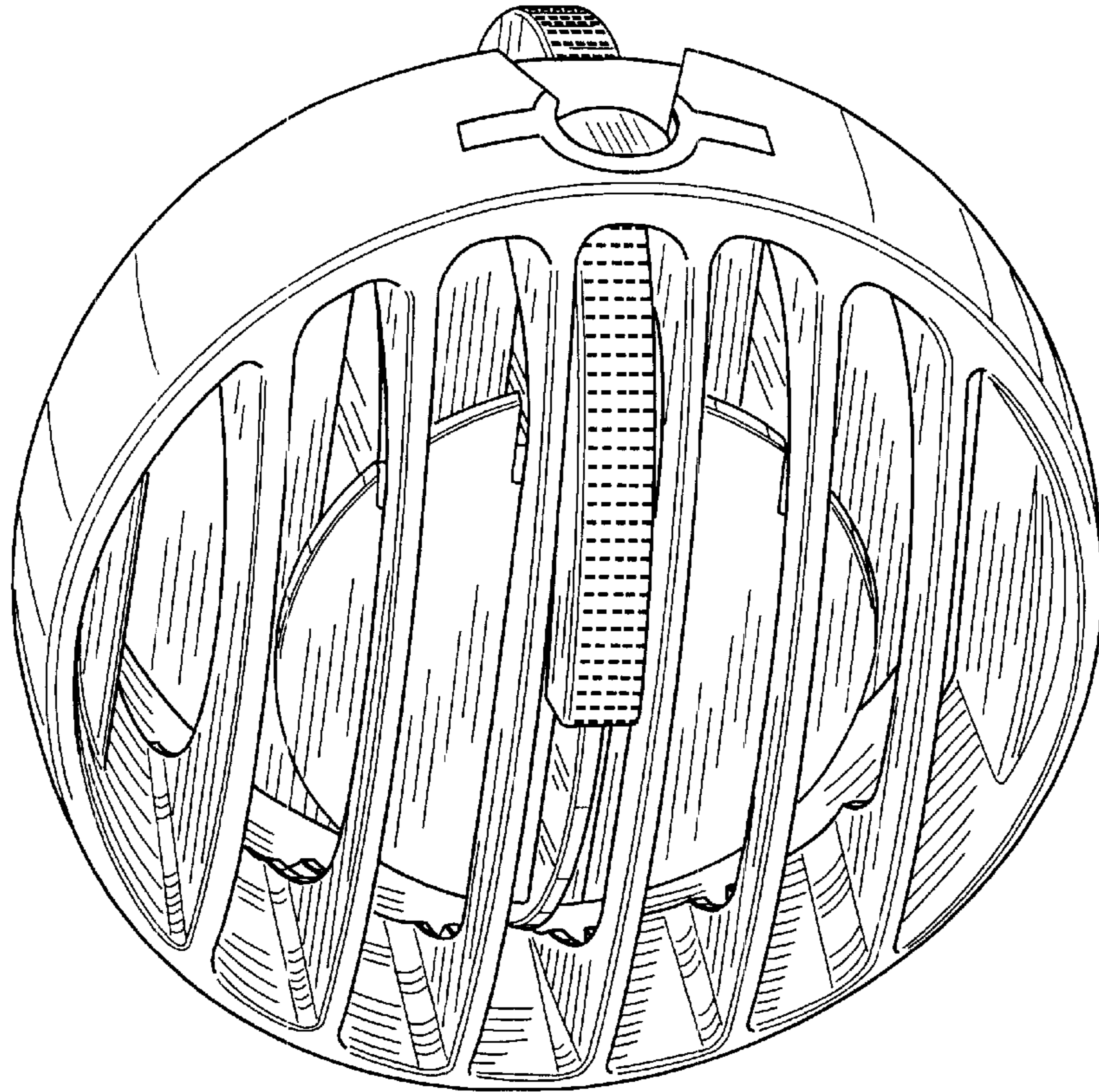


FIG. 8

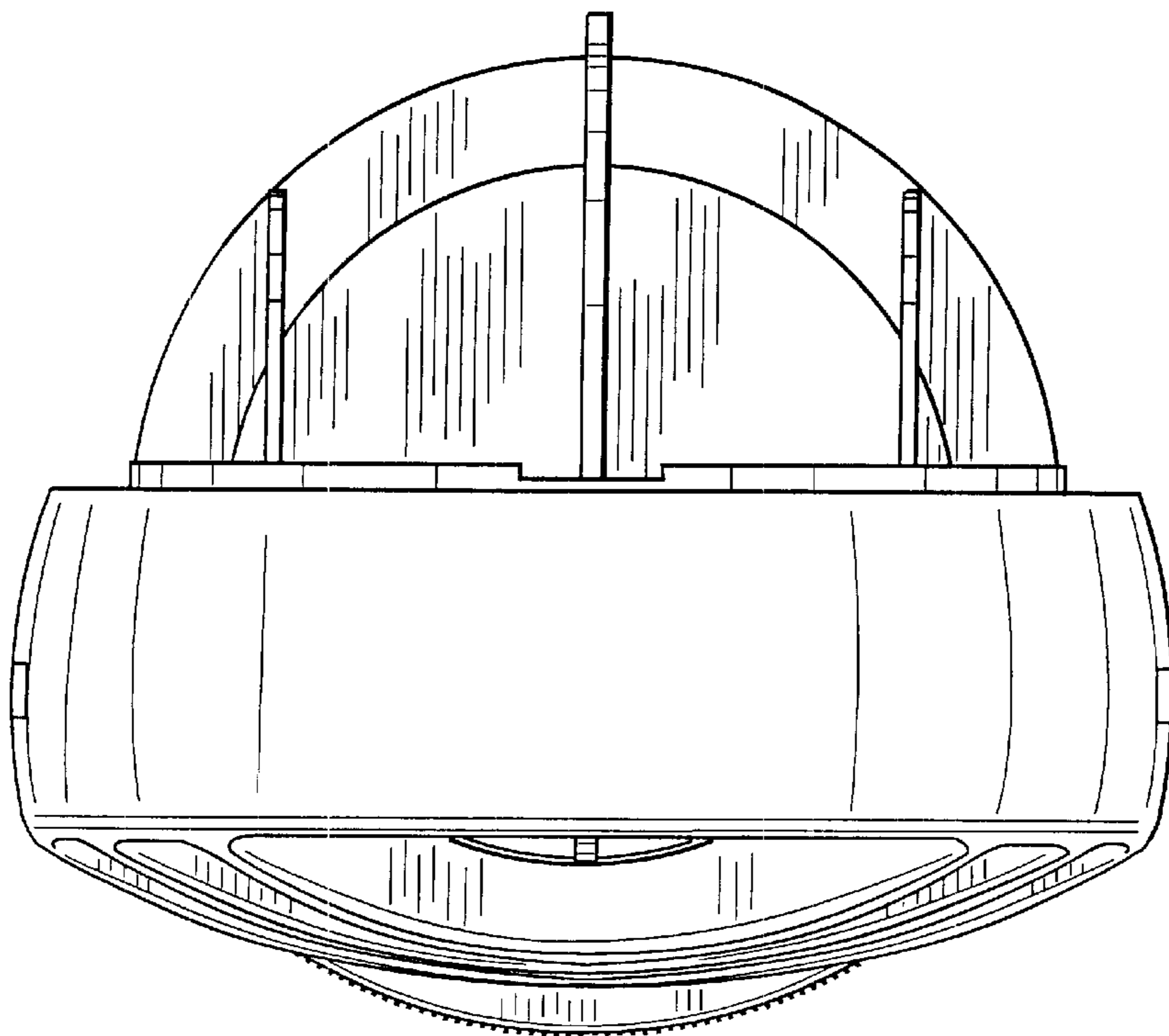


FIG. 7

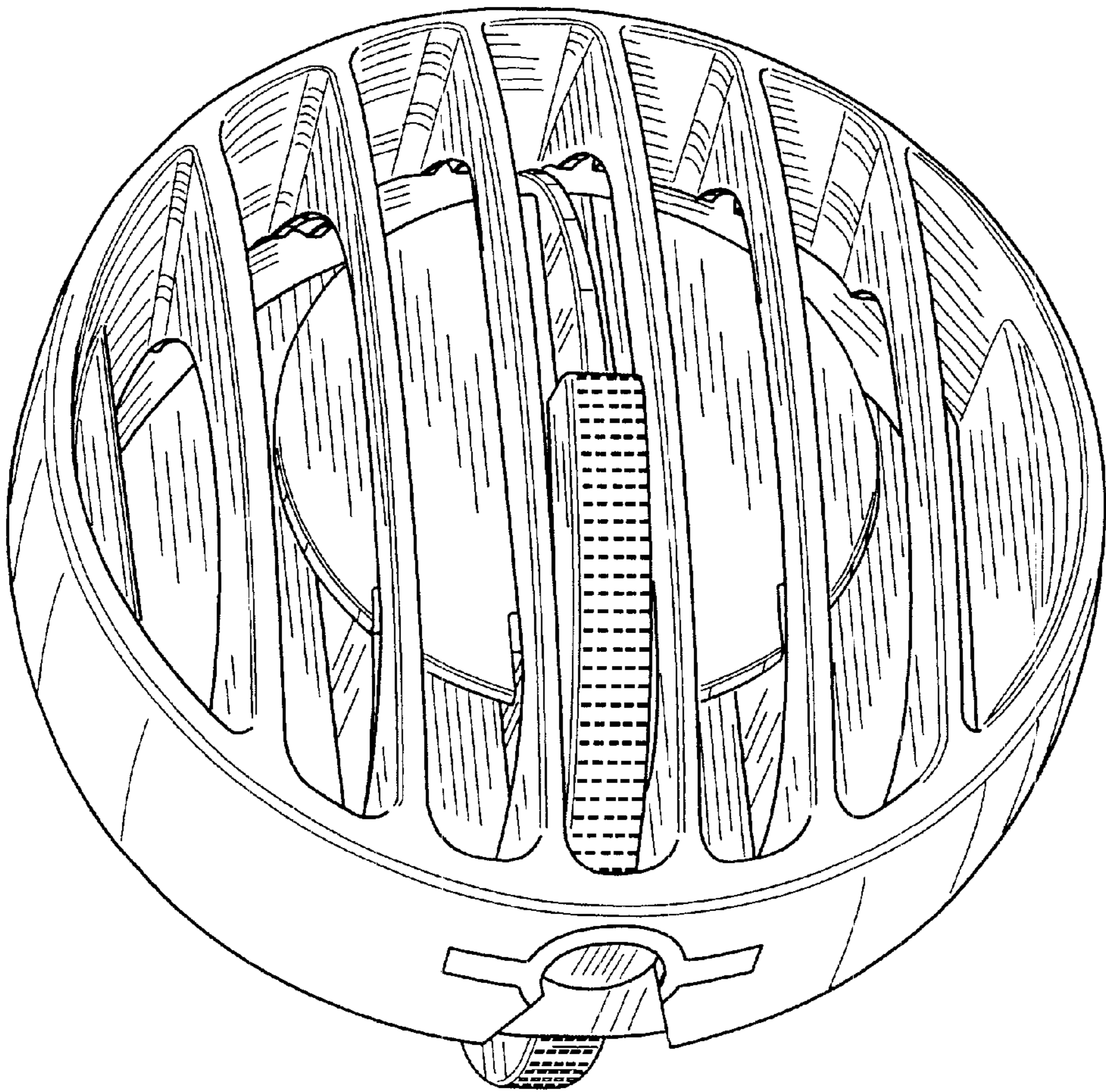


FIG. 9

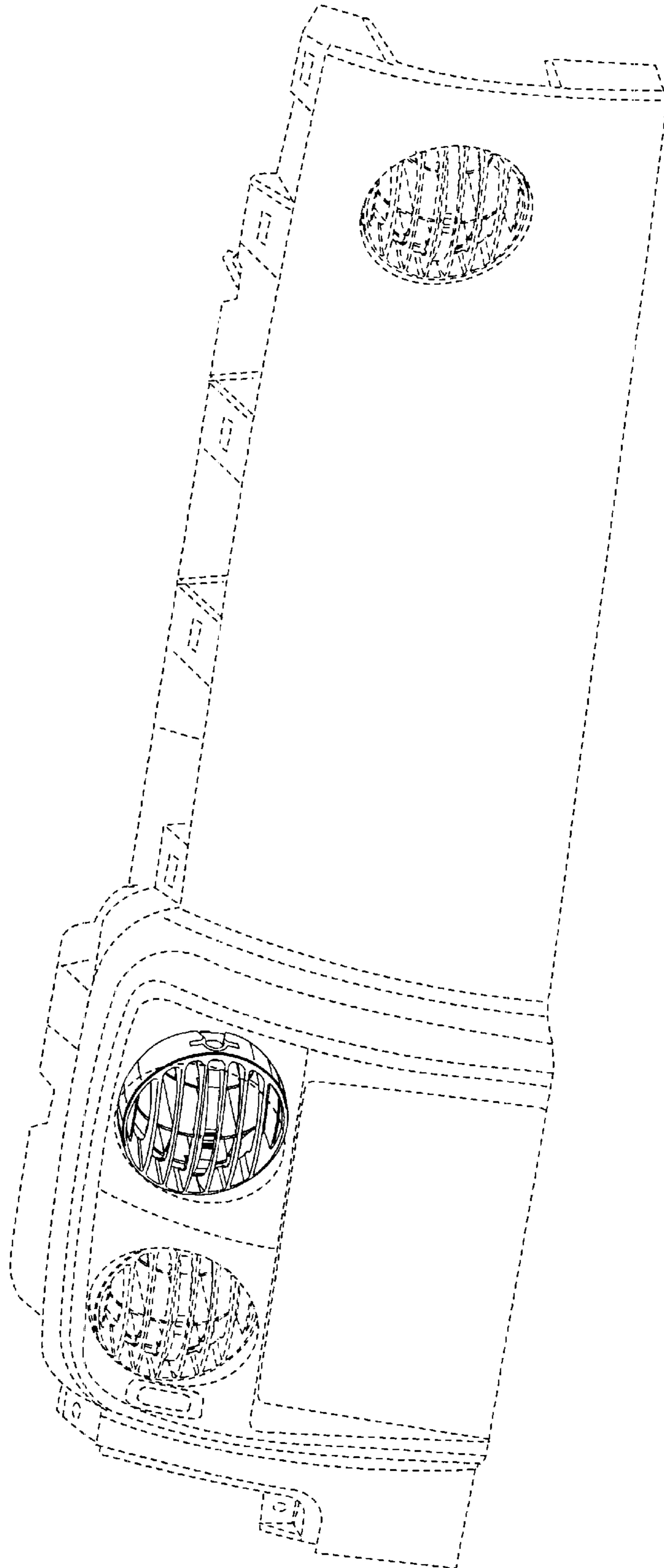


FIG. 10