



US00D468002S

(12) **United States Design Patent**
Steffan

(10) **Patent No.:** **US D468,002 S**

(45) **Date of Patent:** **** Dec. 31, 2002**

(54) **PROTECTIVE VALVE CAP**

(75) Inventor: **Daniel J. Steffan**, Erie, PA (US)

(73) Assignee: **Alliance Plastics**, Erie, PA (US)

(**) Term: **14 Years**

(21) Appl. No.: **29/159,848**

(22) Filed: **Apr. 30, 2002**

(51) **LOC (7) Cl.** **23-01**

(52) **U.S. Cl.** **D23/260; D9/438; D23/249**

(58) **Field of Search** **D23/260, 249;**
D9/438; 215/354, 356; 220/258.2, 270,
85 P

(56) **References Cited**

U.S. PATENT DOCUMENTS

2,993,612	*	7/1961	Trautvetter	215/354
3,130,086	*	4/1964	Taylor	215/254
D200,884	*	4/1965	Hart	D9/438
3,963,140	*	6/1976	Harding	215/254
D270,140	*	8/1983	Berglund	D9/438
4,645,087		2/1987	Kusz		
4,712,705		12/1987	Fuehrer		
4,729,488		3/1988	Bullock, III		
4,779,750		10/1988	Armstrong		
4,784,296		11/1988	Bullock		
6,102,226	*	8/2000	Verderber	215/254
D436,862	*	1/2001	Witt et al.	D9/438
D447,056	*	8/2001	Caserta	D9/438

OTHER PUBLICATIONS

U.S. patent application Ser. No. 10/134,537, Steffan, filed Apr. 30, 2002.

* cited by examiner

Primary Examiner—Nelson C. Holtje

(74) *Attorney, Agent, or Firm*—Oliff & Berridge, PLC

(57) **CLAIM**

The ornamental design for a protective valve cap, as shown and described.

DESCRIPTION

FIG. 1 is a perspective side view of a first embodiment of the protective valve cap looking into the cap;

FIG. 2 is a side view thereof, the opposite side view being a mirror image;

FIG. 3 is a front view thereof;

FIG. 4 is a rear view thereof;

FIG. 5 is a top view thereof;

FIG. 6 is a bottom view thereof;

FIG. 7 is a cross-sectional view thereof, taken along the lines 7—7 of FIG. 5;

FIG. 8 is a top view thereof mounted on a valve stem;

FIG. 9 is a side view thereof mounted on a valve stem;

FIG. 10 is a cross-sectional view taken along the lines 10—10 of FIG. 8;

FIG. 11 is a top view of a second embodiment of a protective valve cap;

FIG. 12 is a perspective side view thereof looking into the cap;

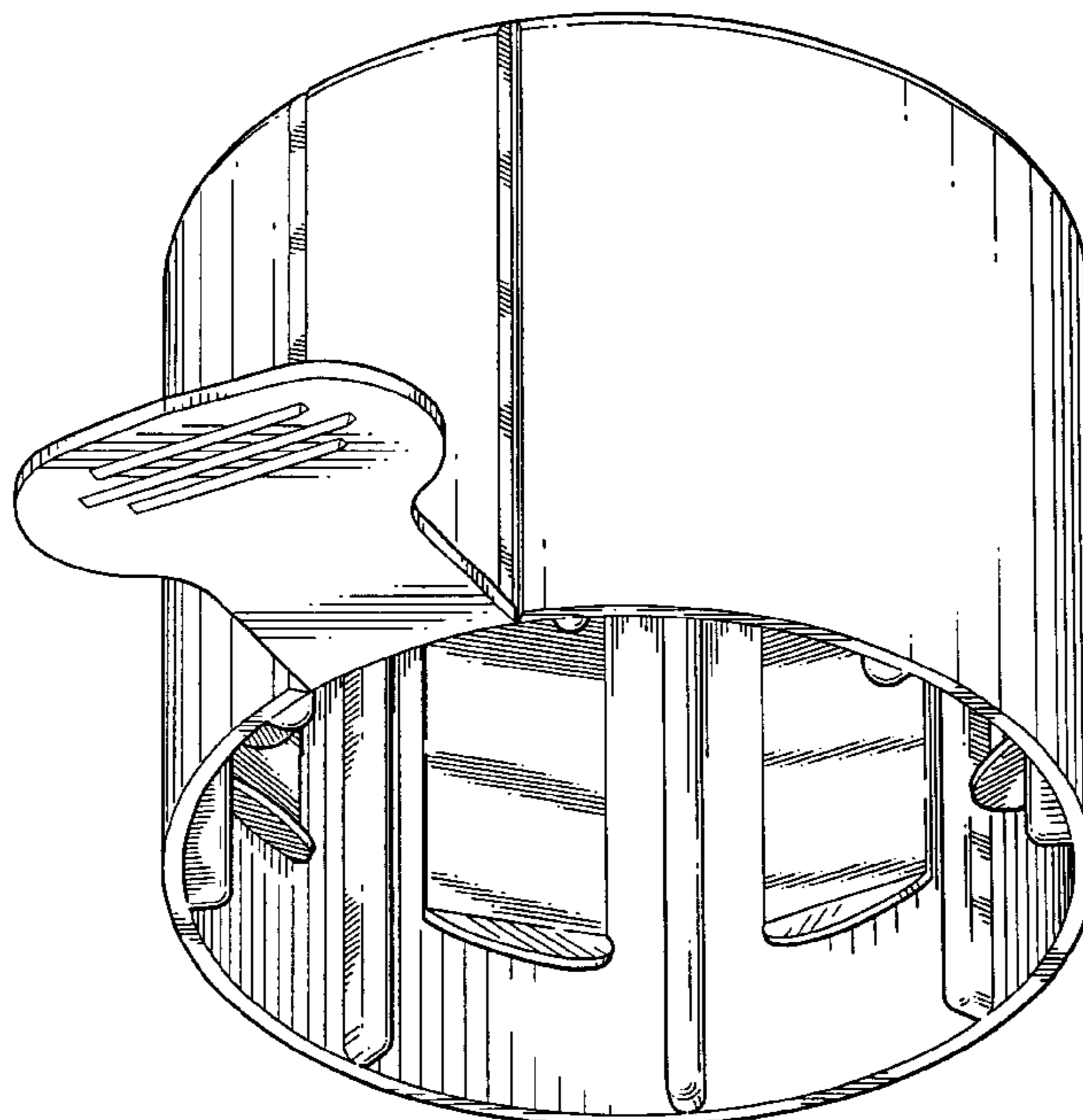
FIG. 13 is a side view thereof;

FIG. 14 is a front view thereof, the rear view being the same as FIG. 4; and,

FIG. 15 is a bottom view thereof.

The broken line showing is for illustrative purposes only and does not form part of the claimed design.

1 Claim, 13 Drawing Sheets



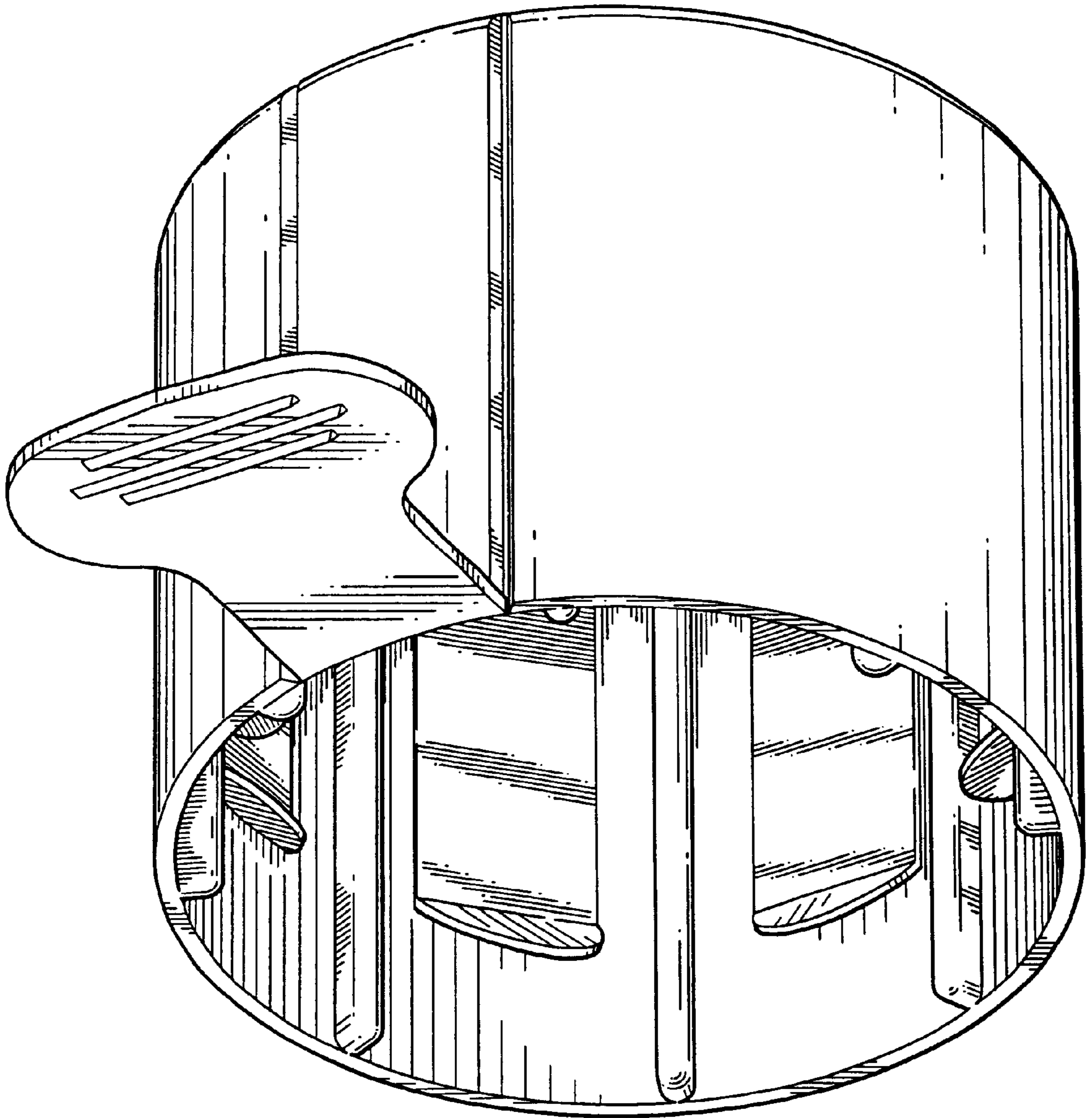


Fig. 1

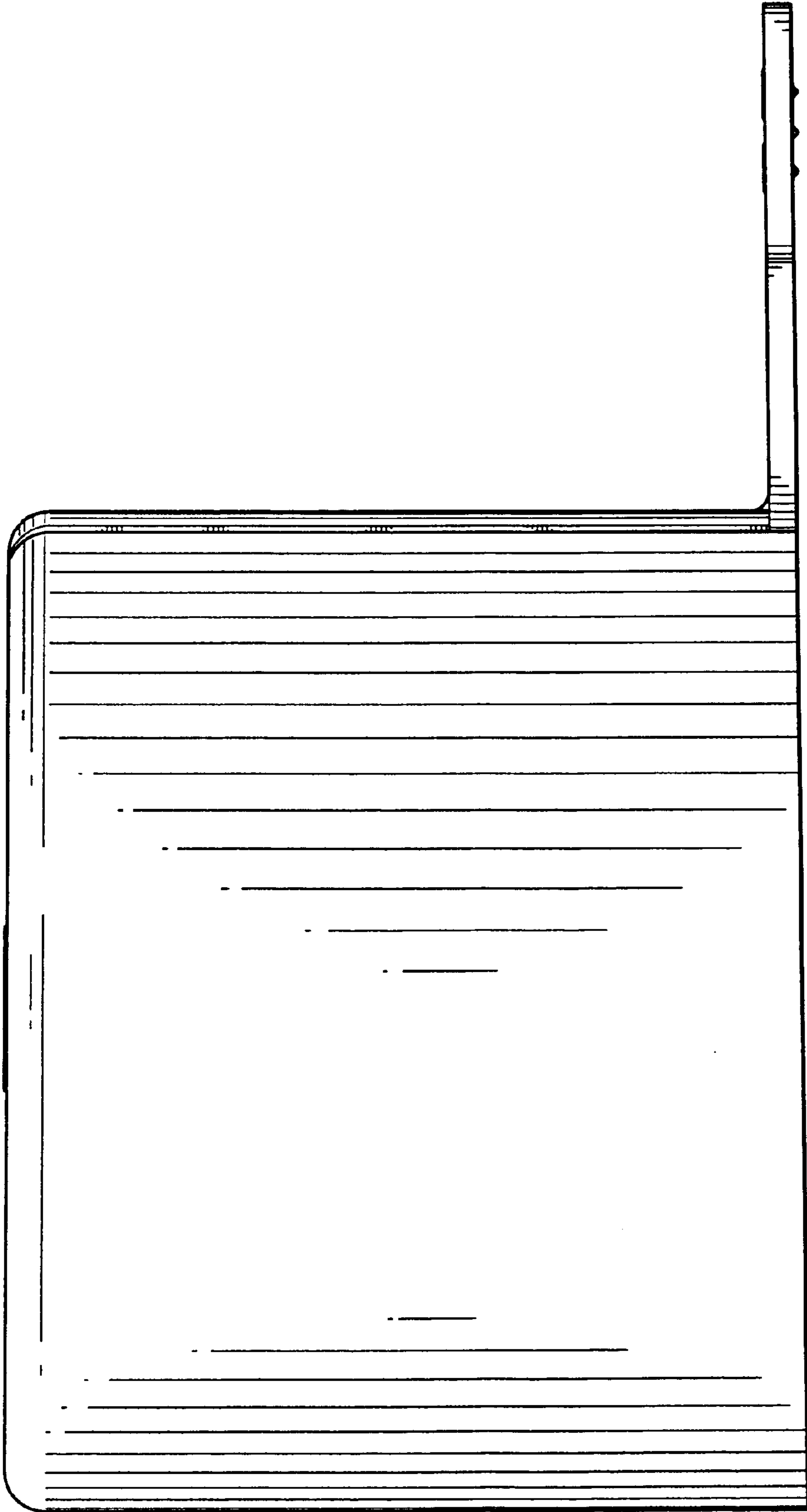


Fig. 2

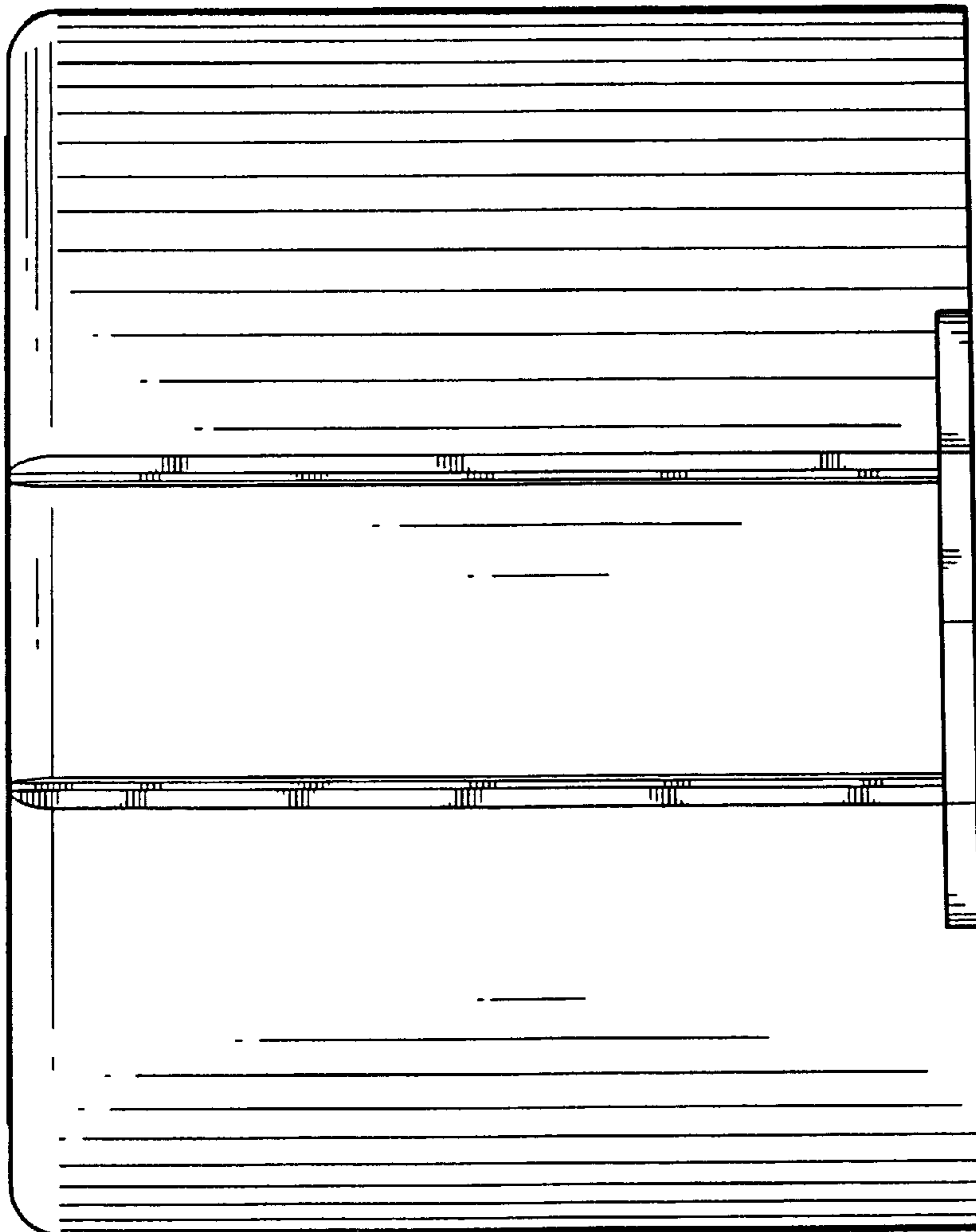


Fig. 3

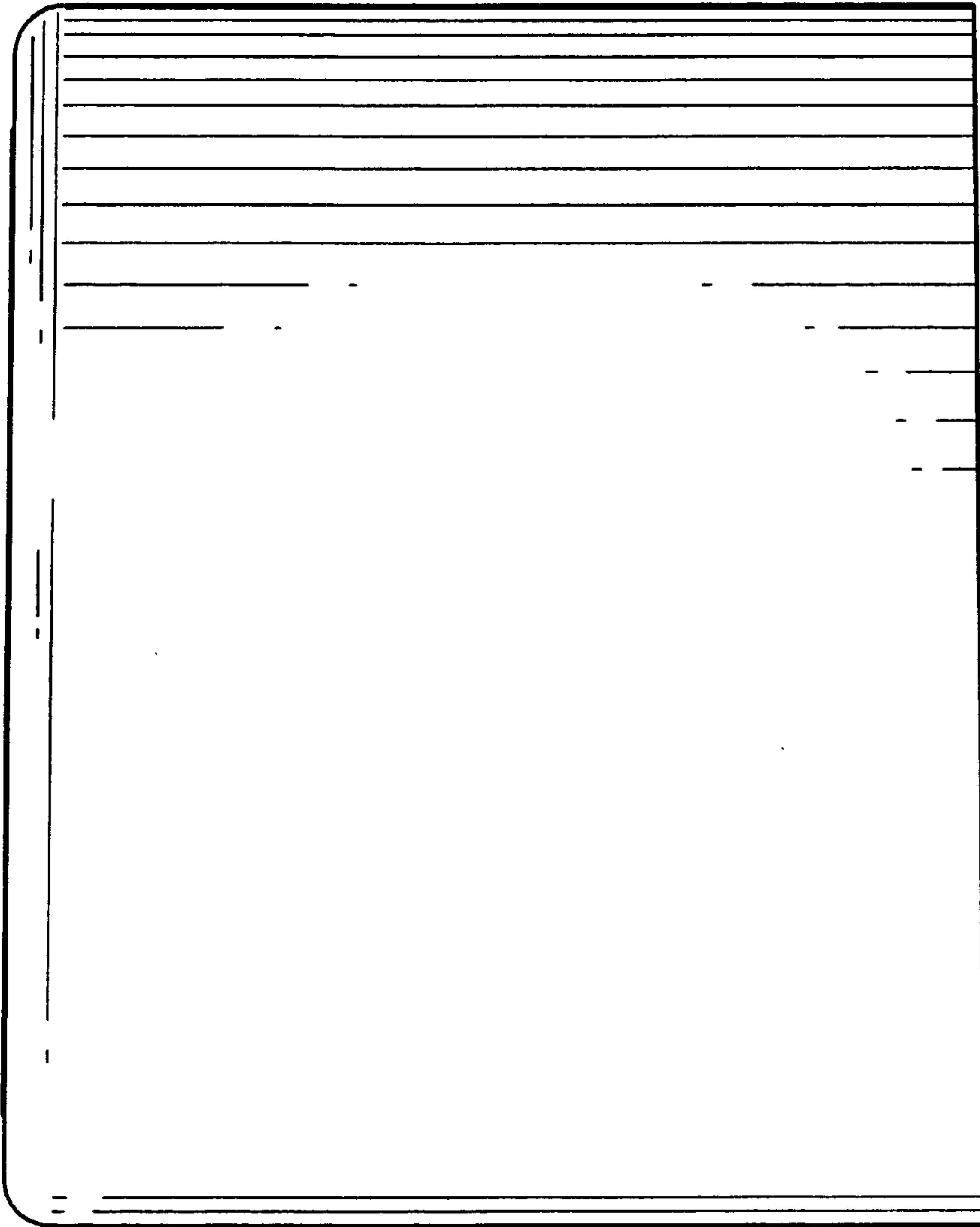


Fig. 4

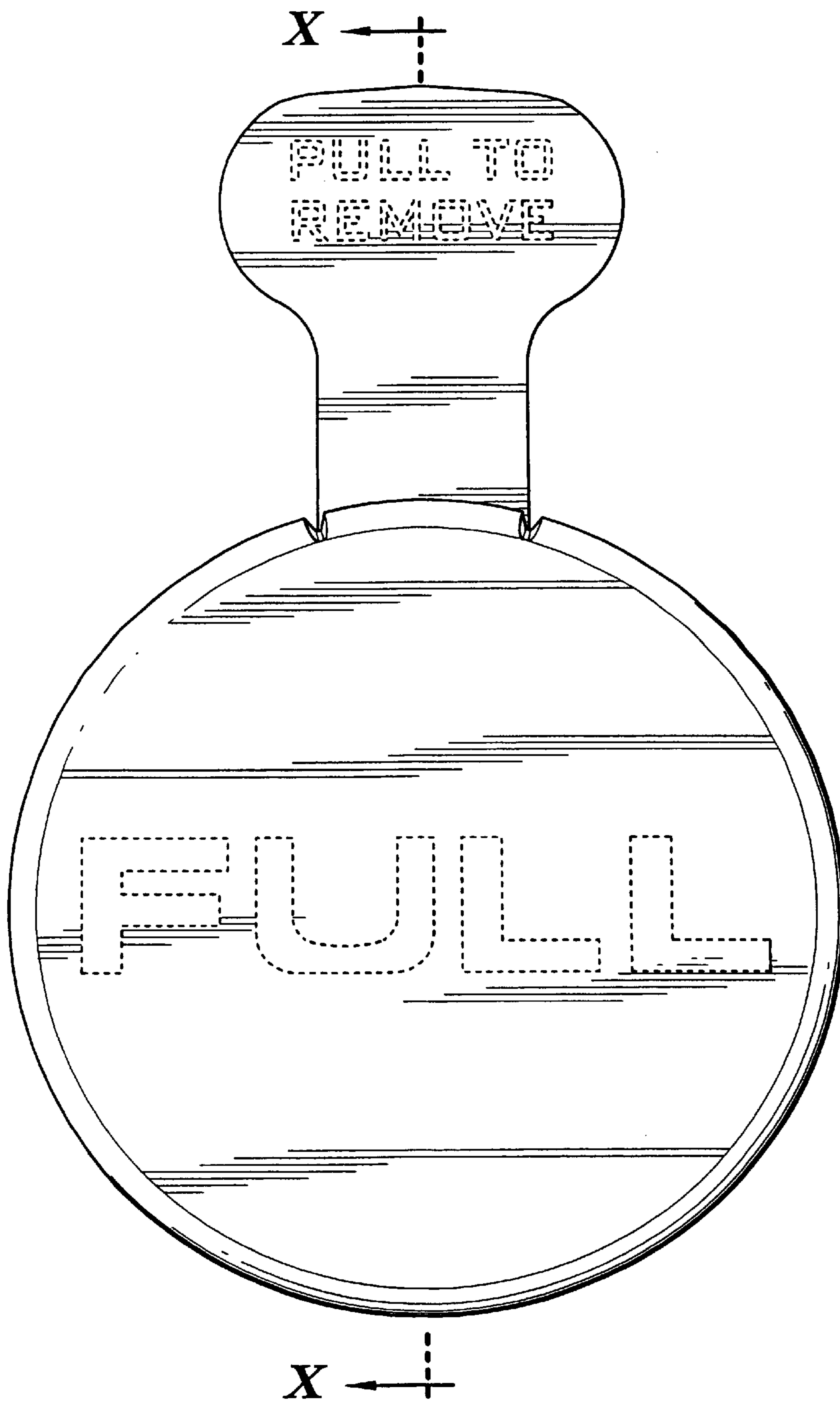


Fig. 5

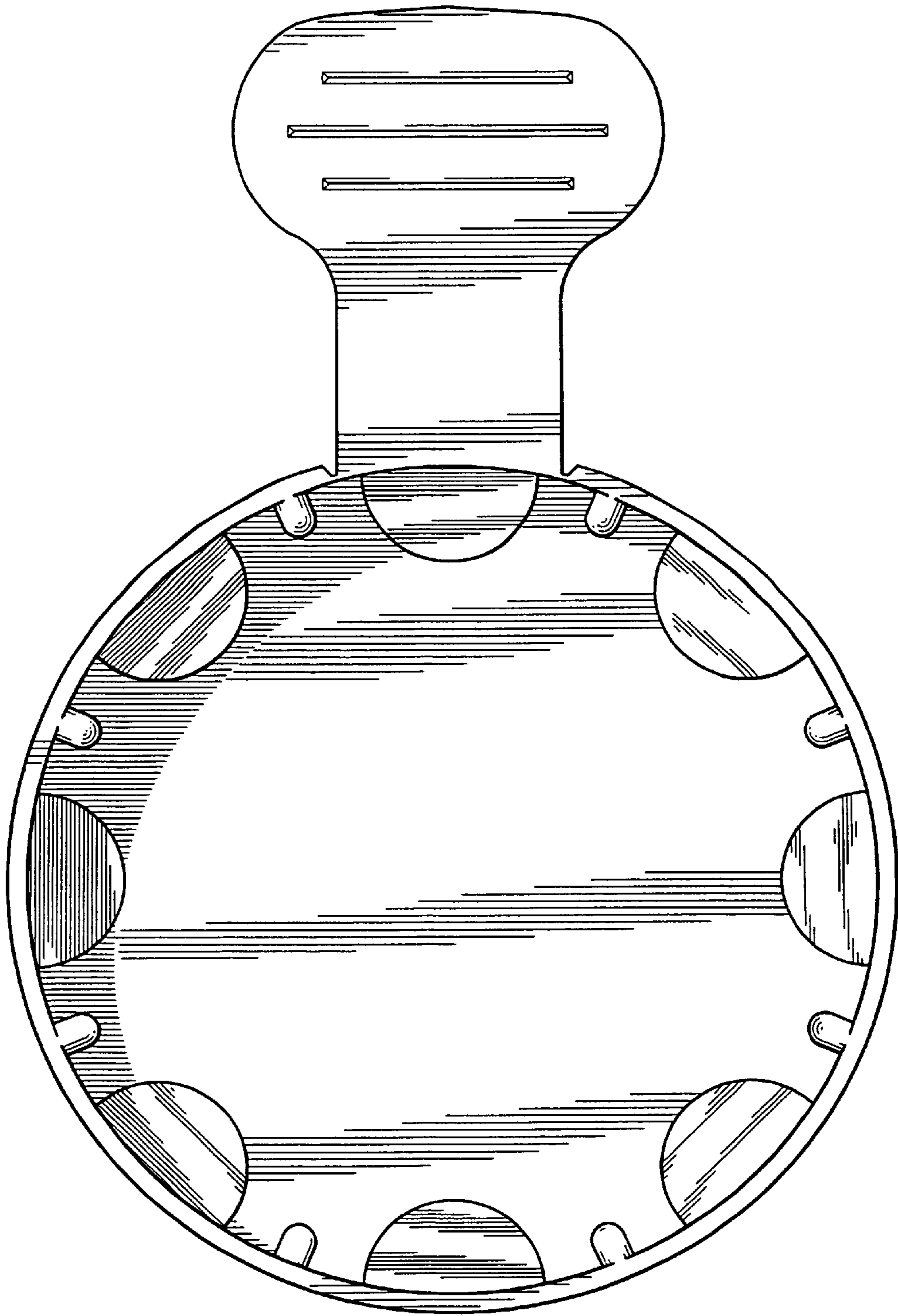


Fig. 6

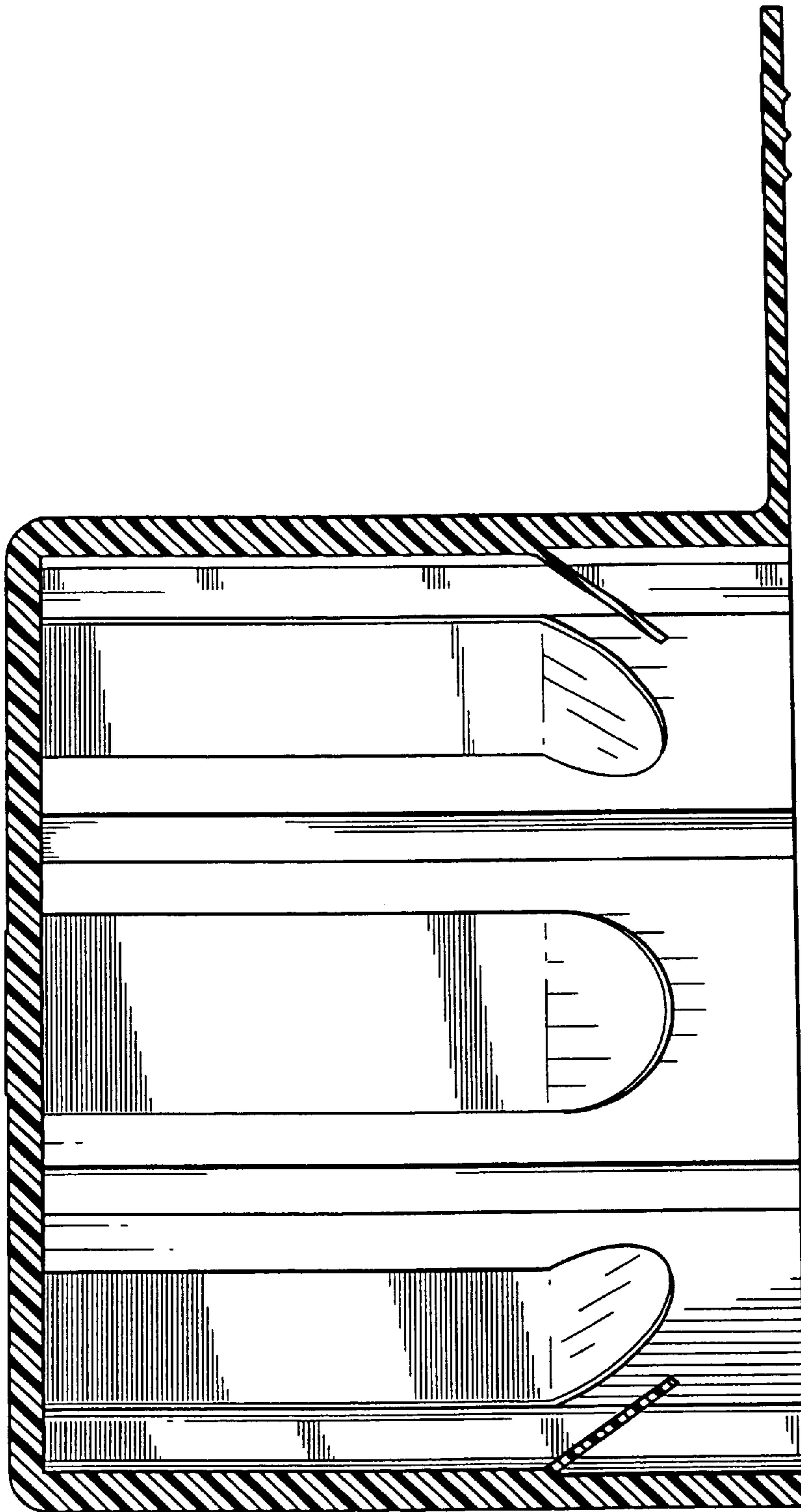


Fig. 7

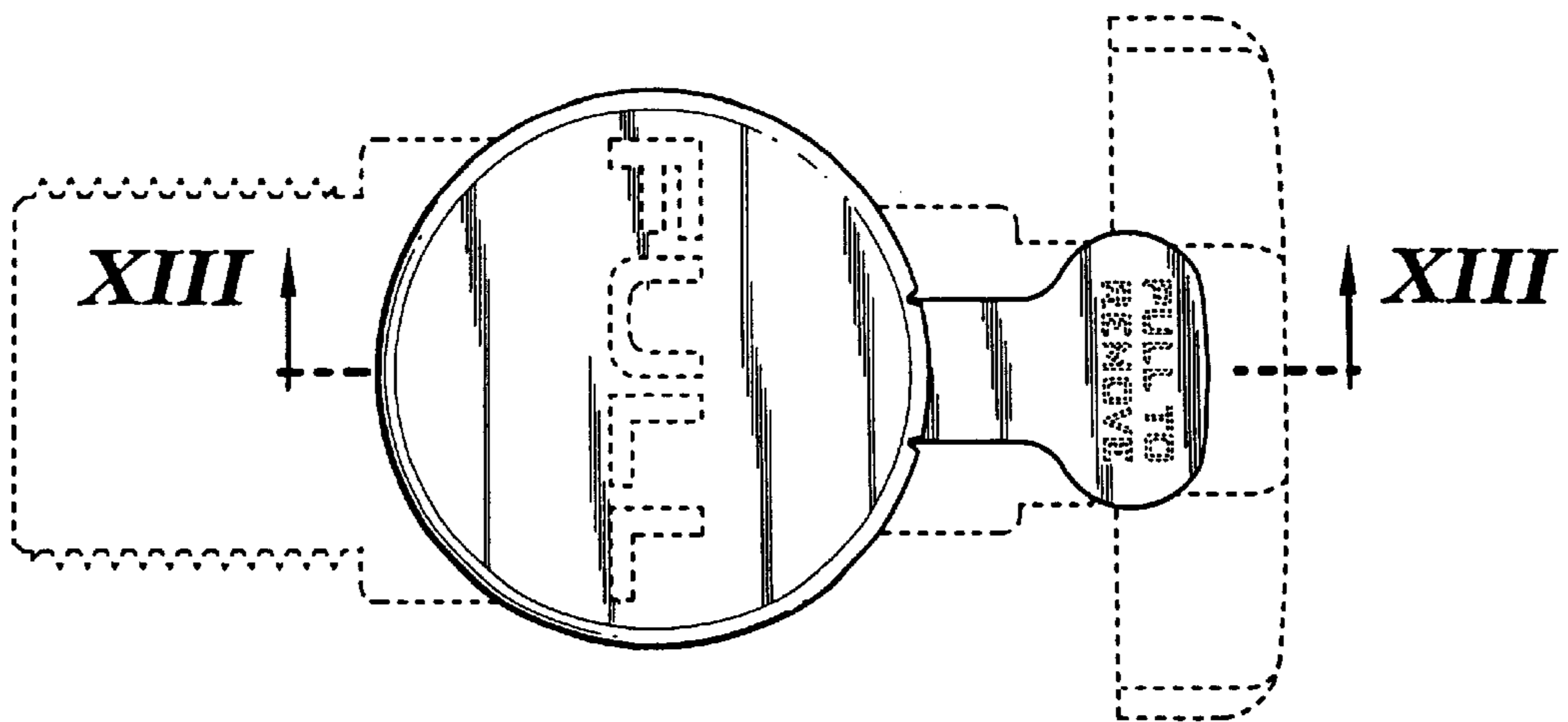


Fig. 8

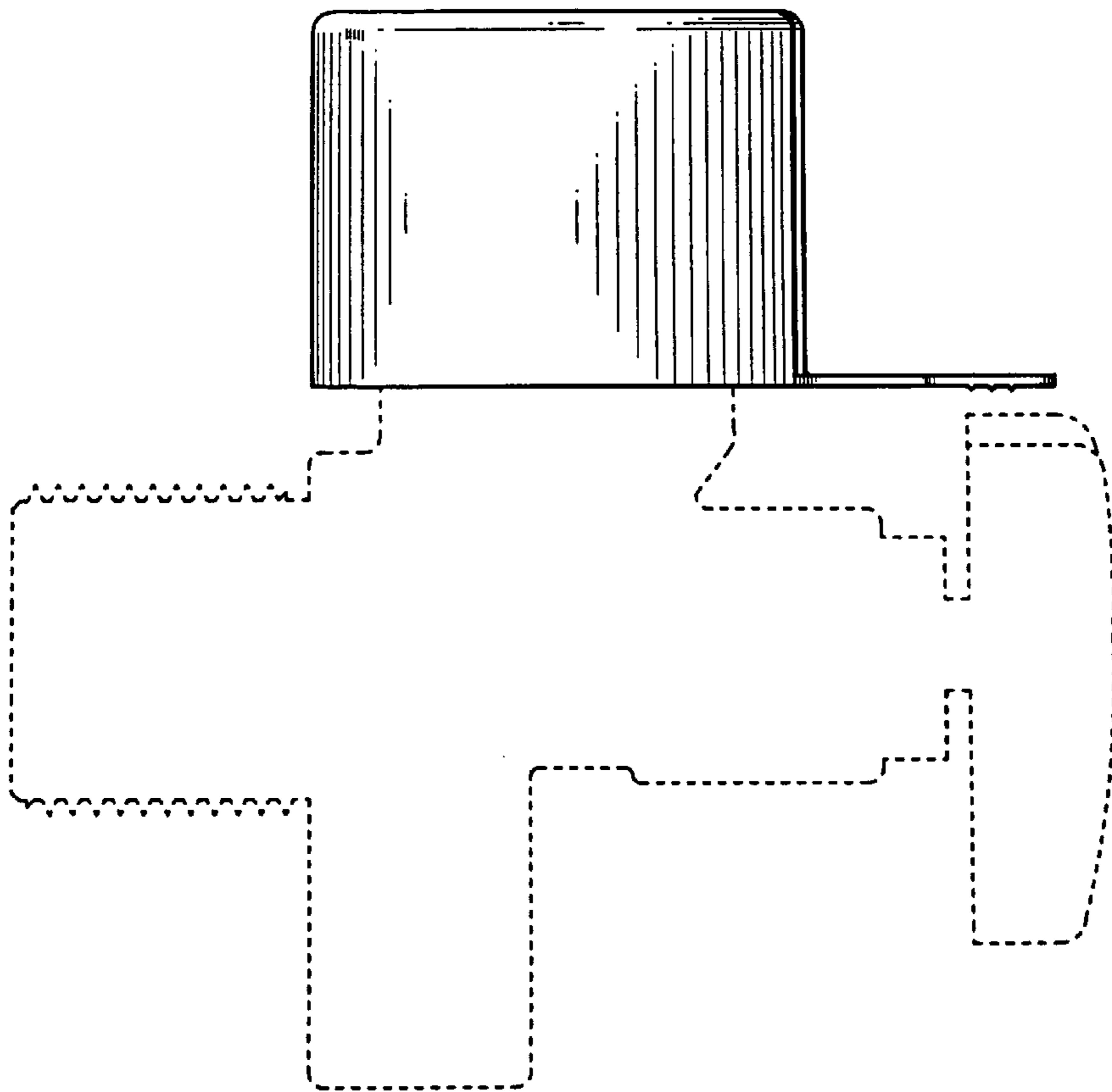


Fig. 9

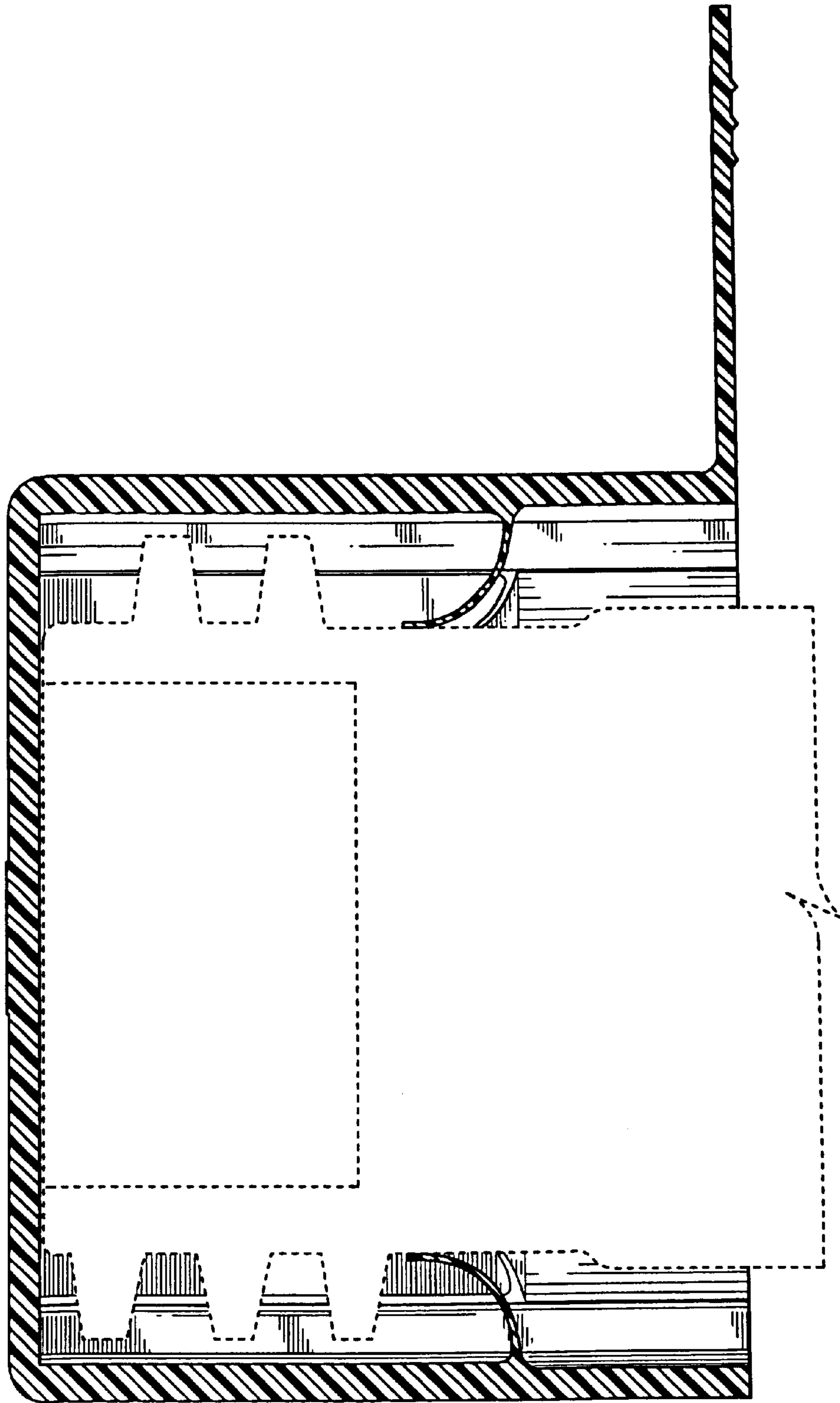


Fig. 10

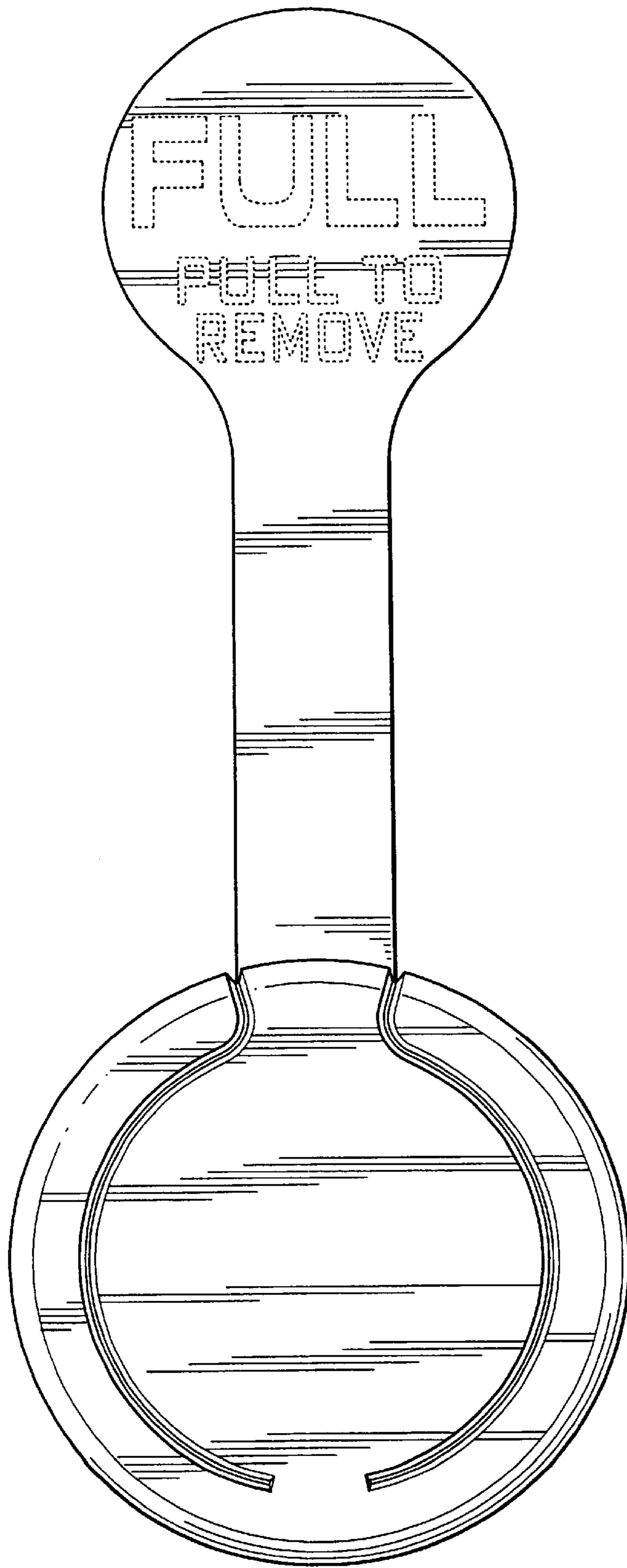


Fig. 11

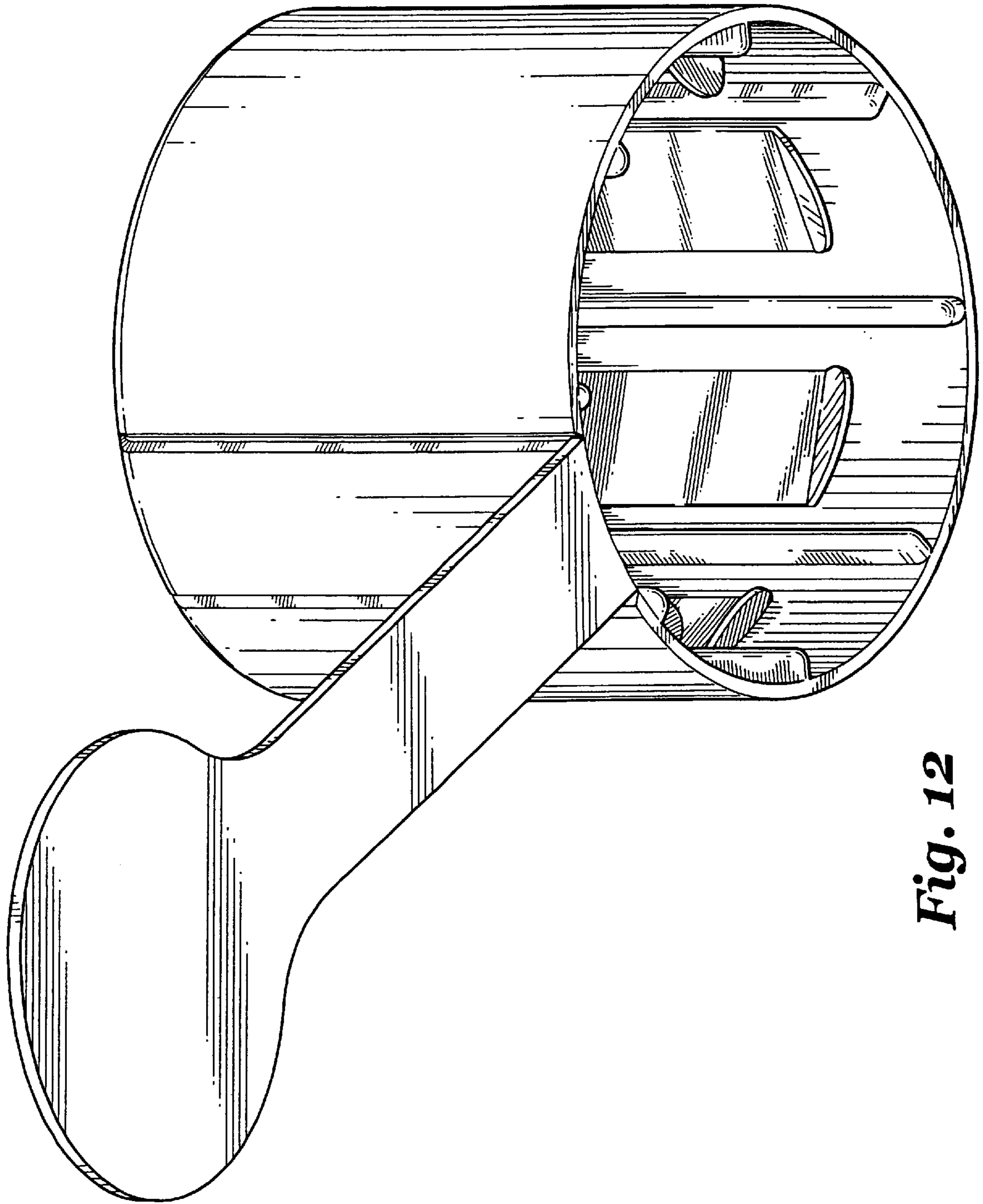


Fig. 12

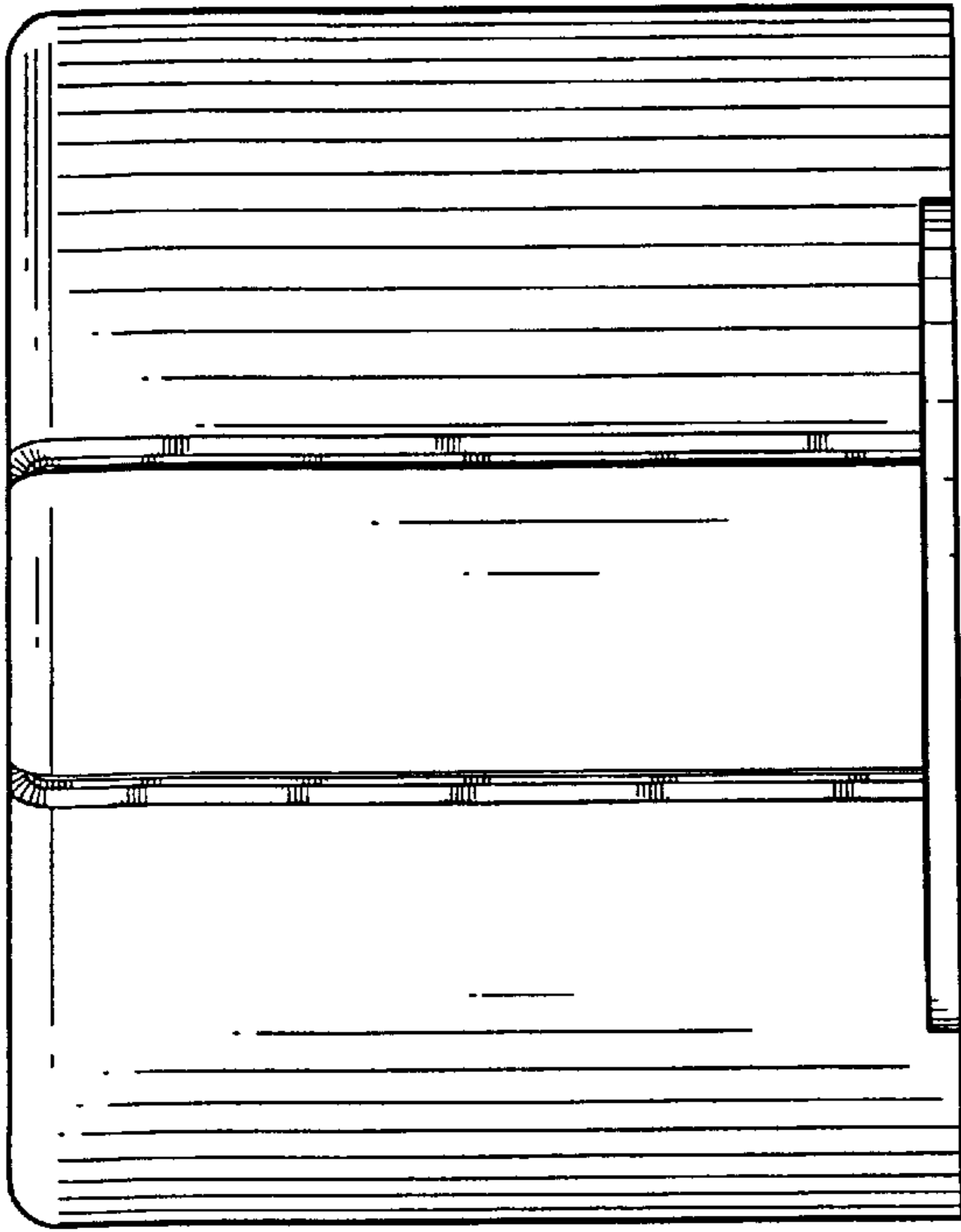


Fig. 14

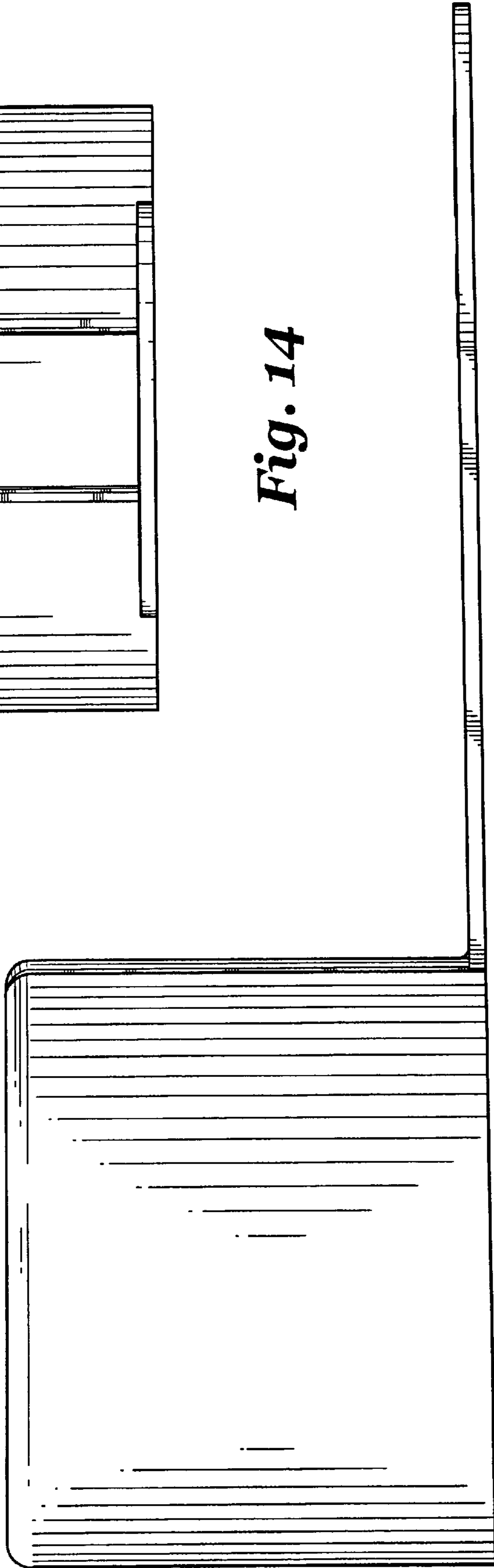


Fig. 13

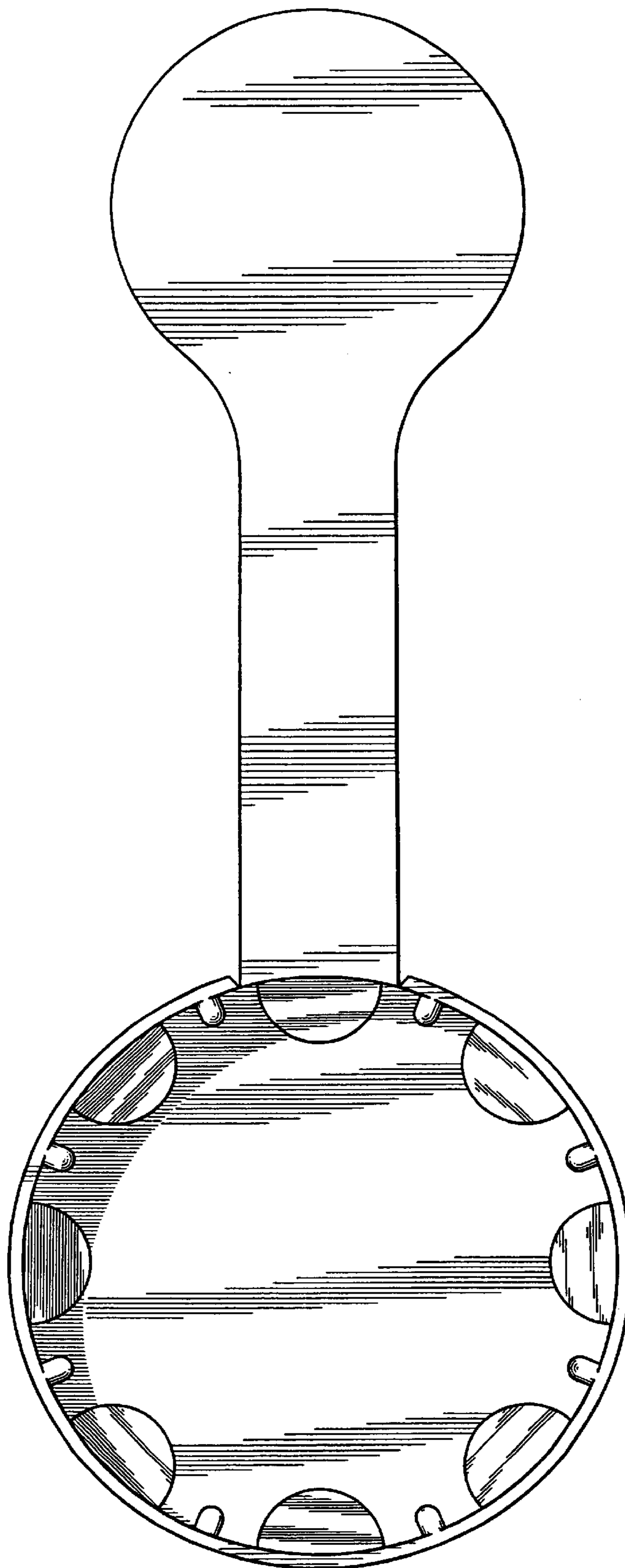


Fig. 15